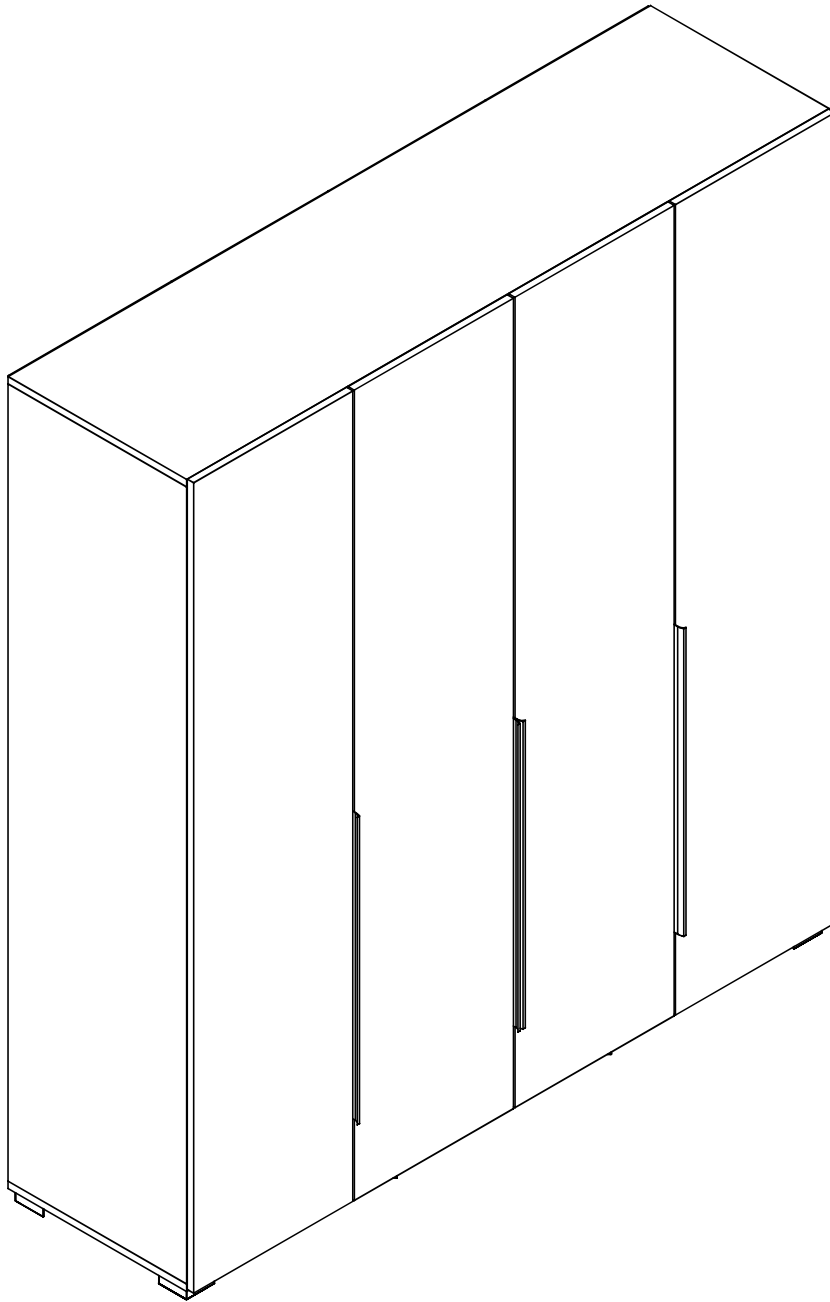


# GİNA

4K DOLAP - SAFİR

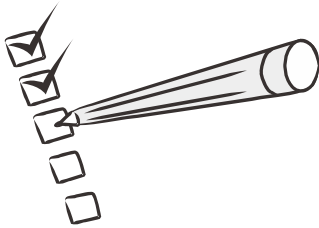
---



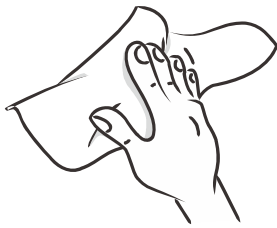
Dear Customer,

We design and produce our products for people to love and have fun with them as we do.

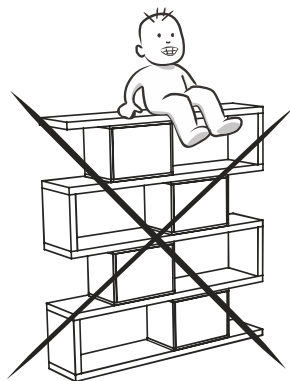
The product you bought was subjected to all sorts of tests and control before sending out to you.



Before start assembling, please check the whole components and accessories according to the lists. If you bought more than one product, to prevent confusion be sure that you completed the first product. Then start the other product's assembling.



Before start assembling, please clean all the components with a damp cloth. Also for usual cleaning, this will be enough.

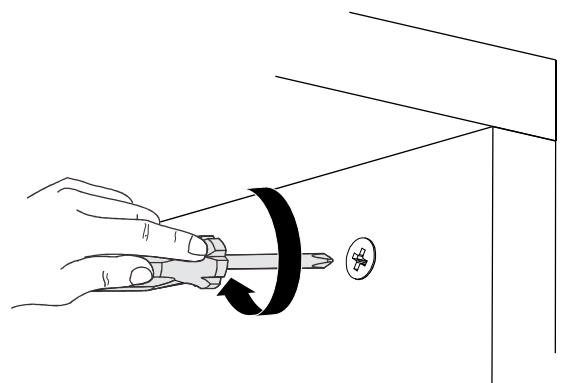
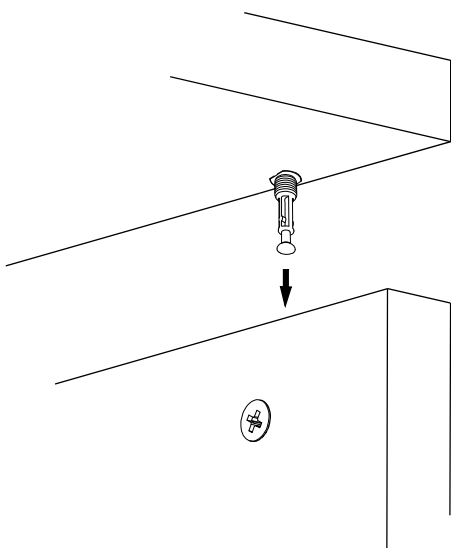
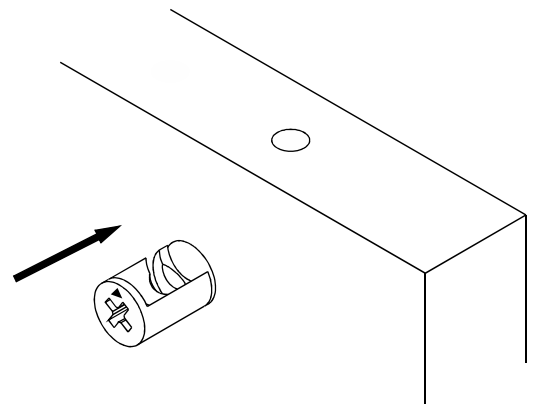
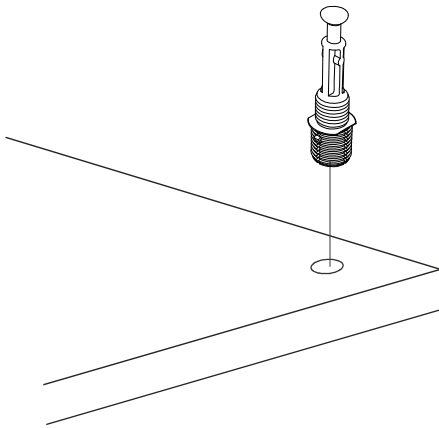
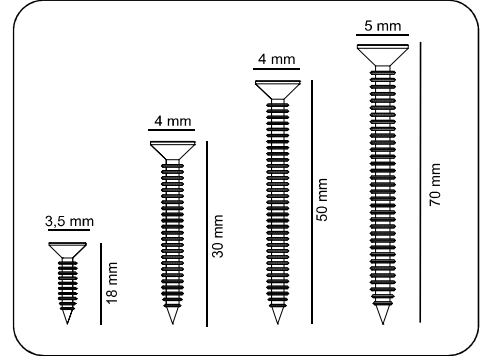
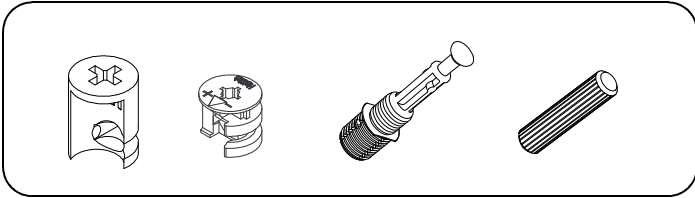


Do not use your furniture for out of purposes. If you would like to use it, please contact us for further questions.

Do not directly contact your furniture with excessive heat, cold and humidity because the product can be affected..

# ATTENTION !!

Minifix is the main connection material used in  products. Before starting assembly, please check the drawings below.

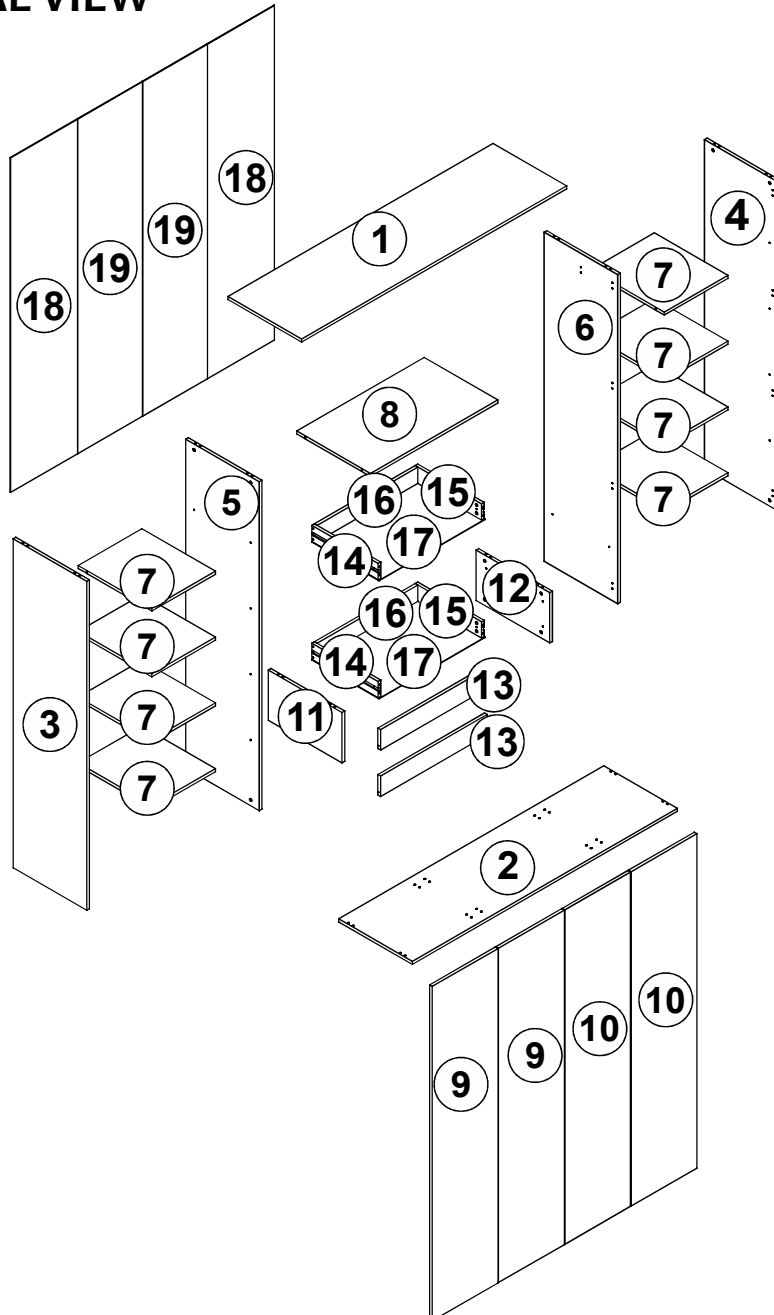


# ACCESSORY LIST

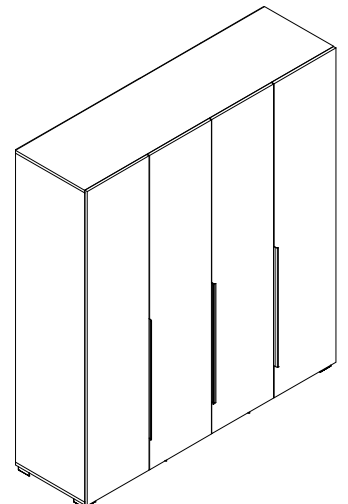
# GİNA 4 KAPAKLI DOLAP

<b>A23</b> Minifix M8 8x34 32x	<b>A22</b> Minifix G18 15x14 32x	<b>A04</b> PLSTK KVLV 8x30 24x	<b>A18</b> YHB VD 3,5x18 88x	<b>A17</b> YHB VD 4x50 8x
<b>A94</b> YSB MVD 4x15 4x	<b>A34</b> YHB VD 3,5x25 24x	<b>A73</b> UCGN AYK SYH 30mm 8x	<b>C01</b> DM 16x	<b>C04</b> D MA 16x
<b>R07</b> BLY RAY 17x438 2x	<b>V10</b> RFİX 20x14 36x	<b>V11</b> RFİX VD 5x13 36x	<b>A55</b> ASK BRS 854 mm 1x	<b>A24</b> ASK FLNS 2x
<b>A48</b> ARKLK CVS 98x	<b>A06</b> SFR MŞE 18 mm 32x	<b>A64</b> H ARKLIK CTS 1934 mm 1x	<b>H01</b> ALMNYM KLP SYH 746mm 4x	

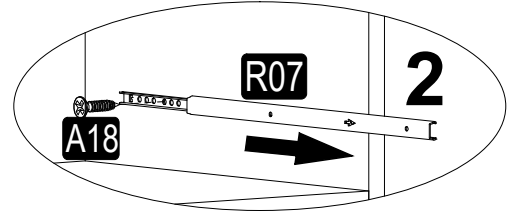
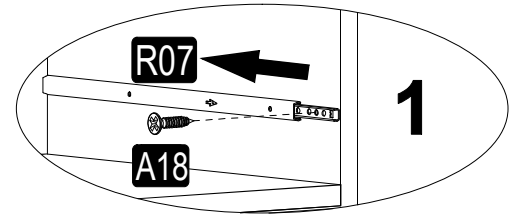
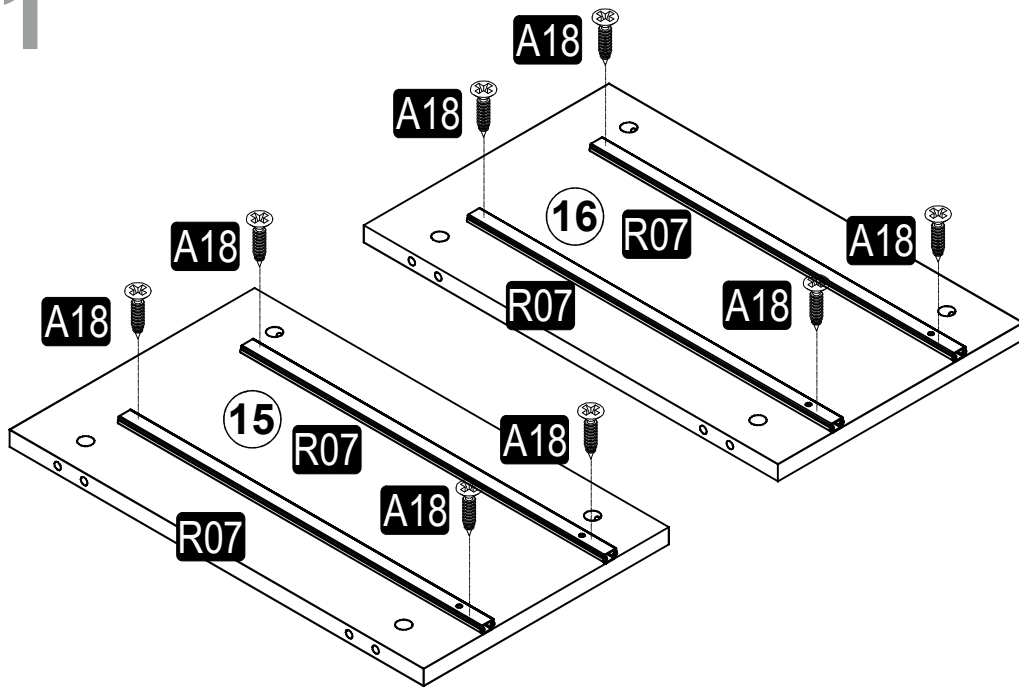
## GENERAL VIEW



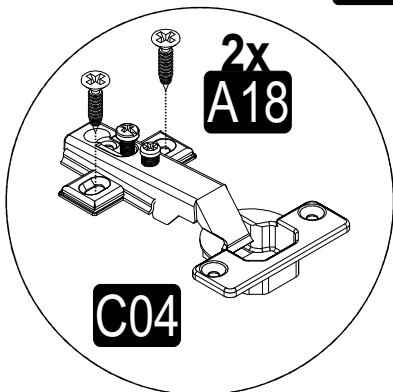
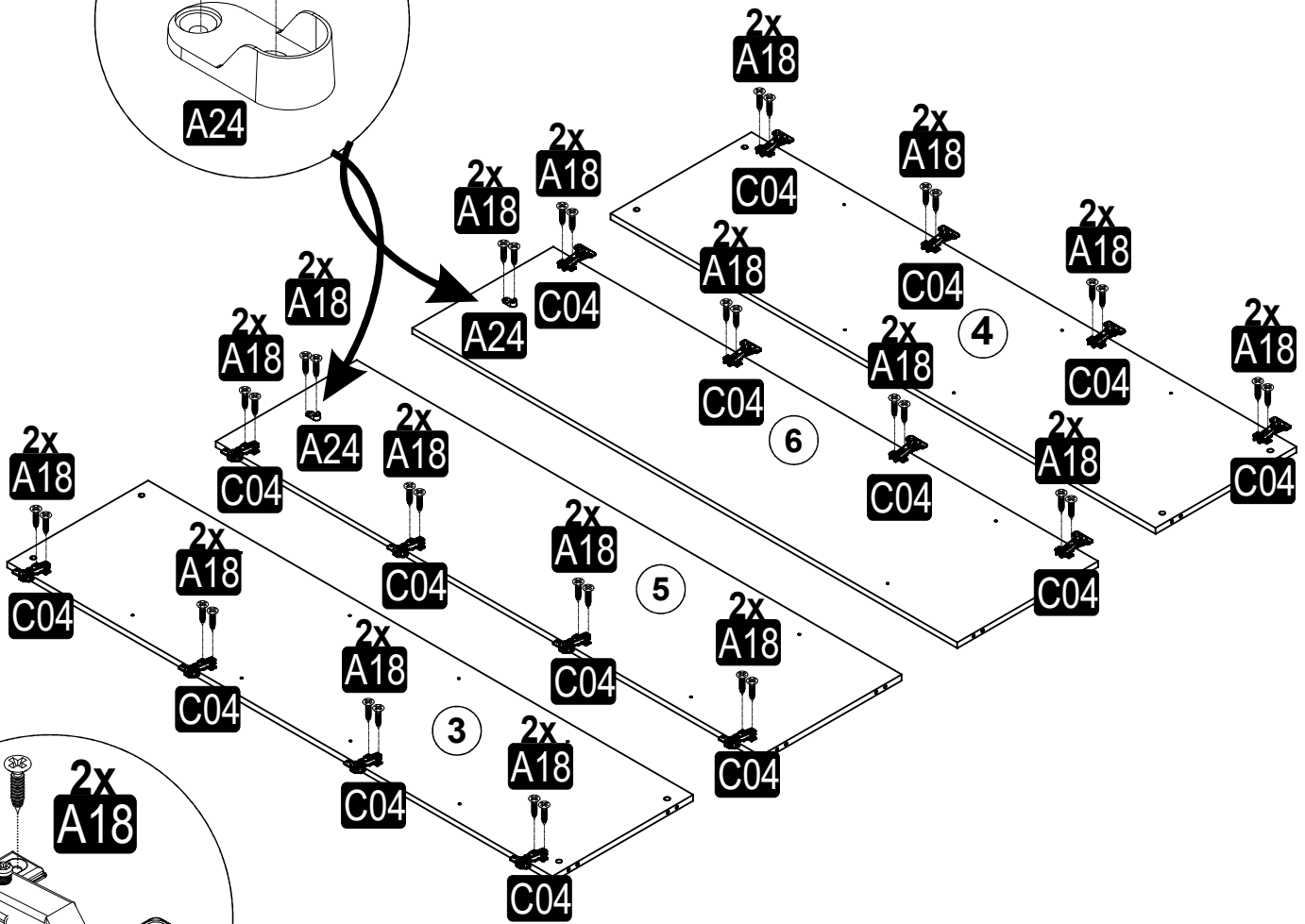
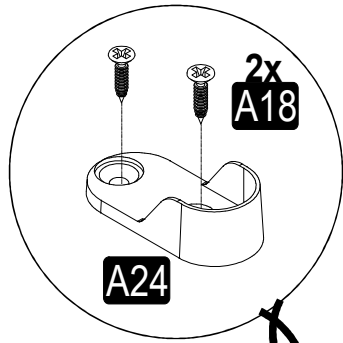
.01	1	1800	500	18
.02	1	1800	500	18
.03	1	1934	500	18
.04	1	1934	500	18
.05	1	1934	500	18
.06	1	1934	500	18
.07	8	500	432	18
.08	1	864	500	18
.09	2	1966	446	18
.10	2	1966	446	18
.11	1	500	296	18
.12	1	500	296	18
.13	2	724	120	18
.14	2	450	96	18
.15	2	450	96	18
.16	2	684	96	18
.17	2	720	456	18
.18	2	1967	456	3
.19	2	1967	439	3



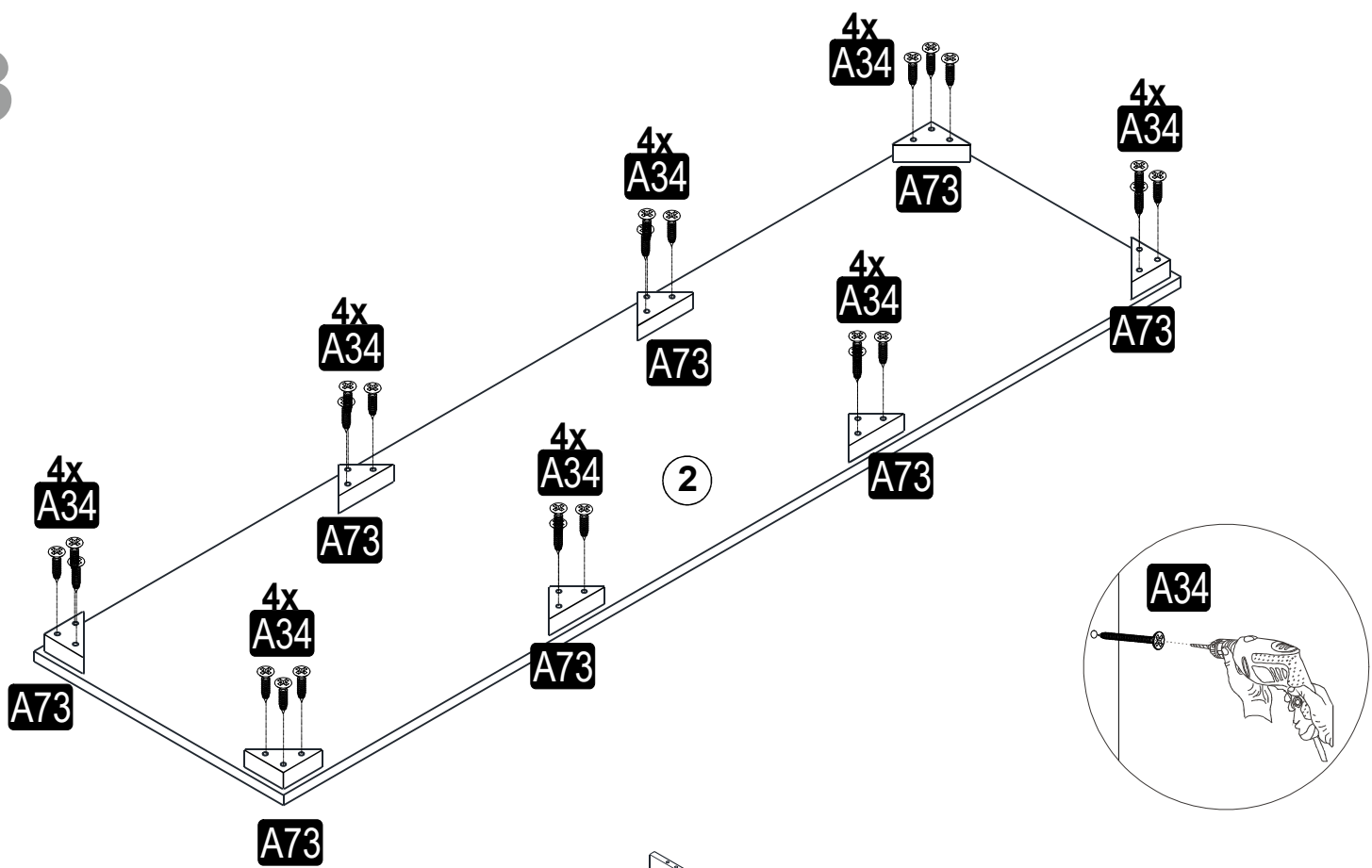
1



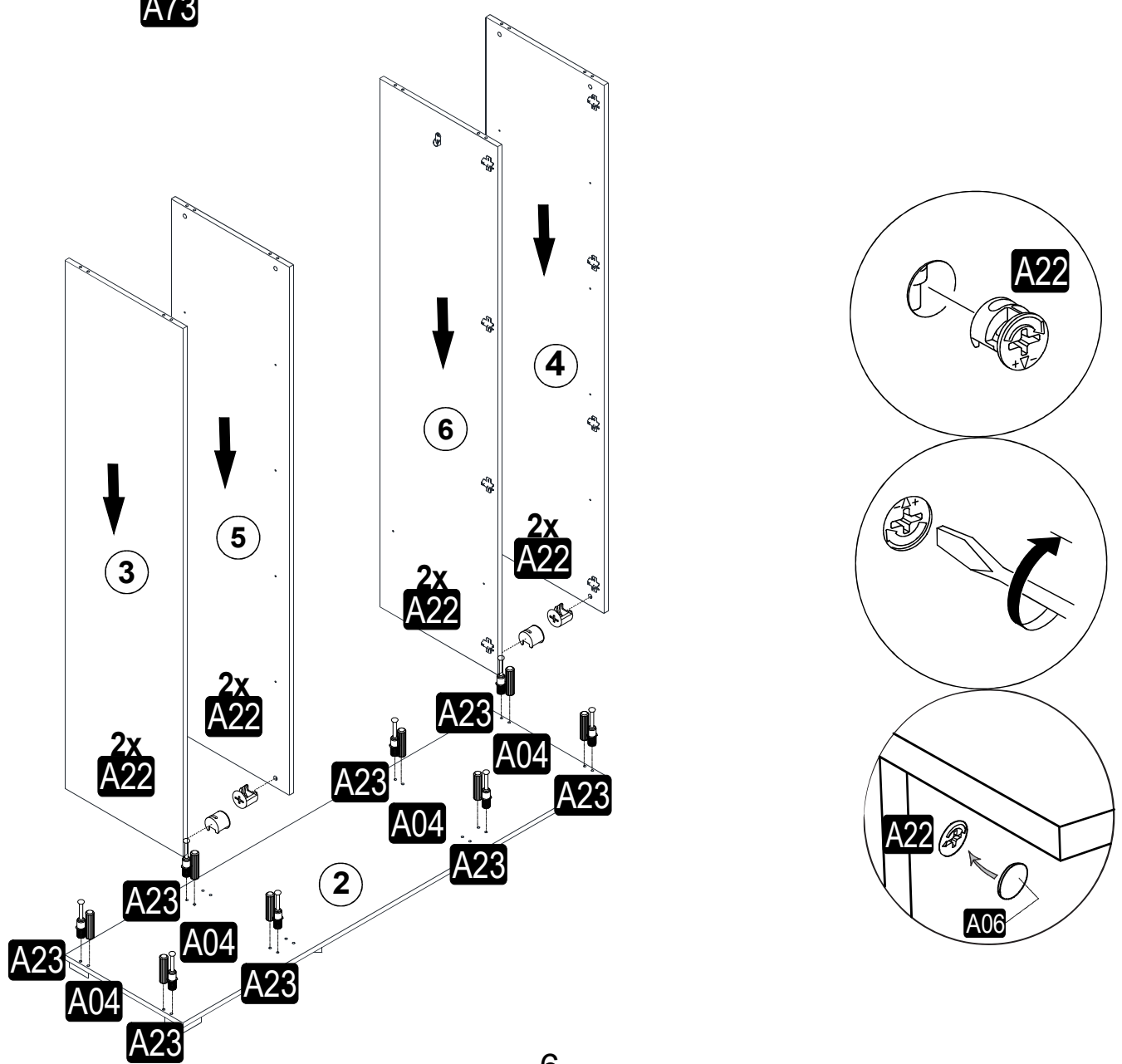
2



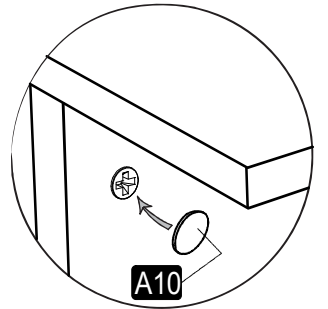
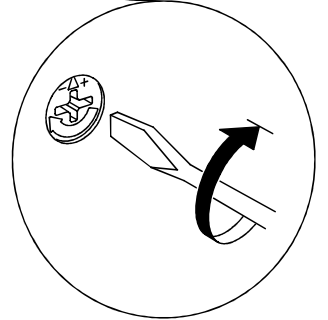
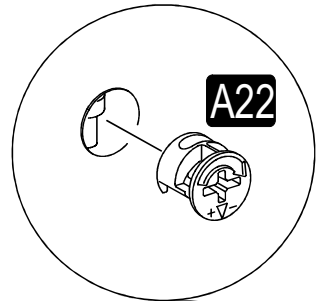
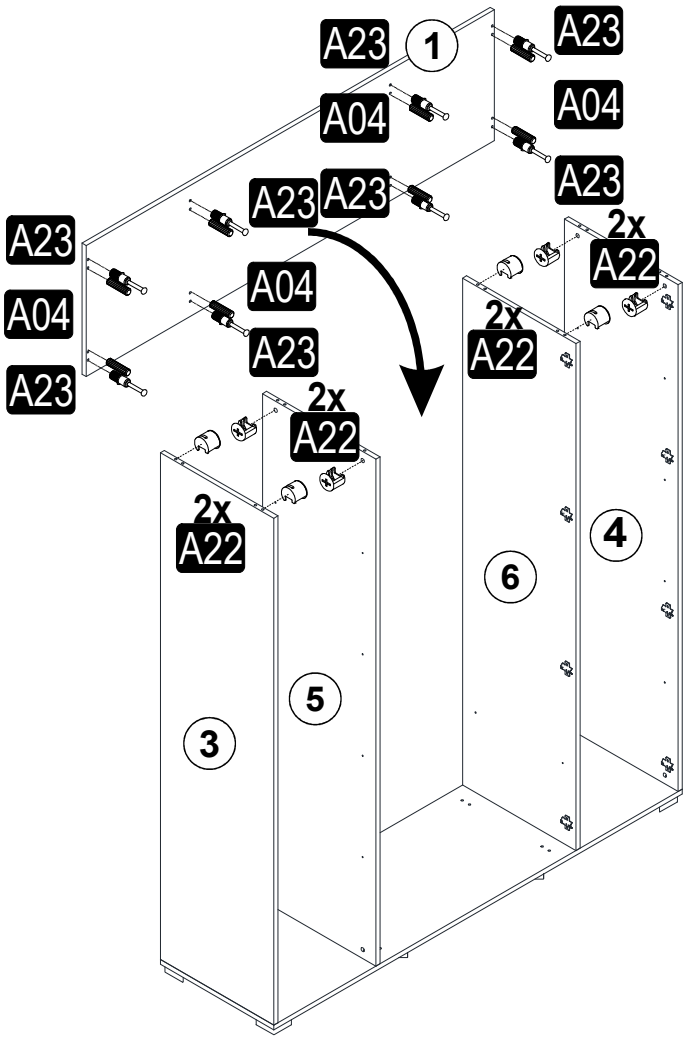
3



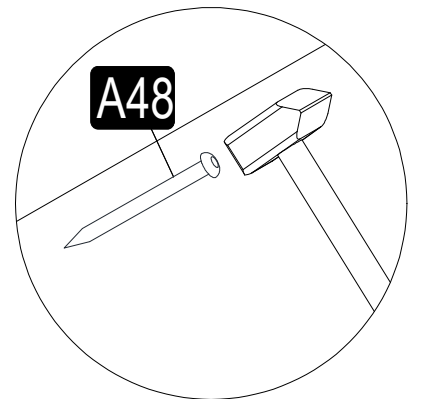
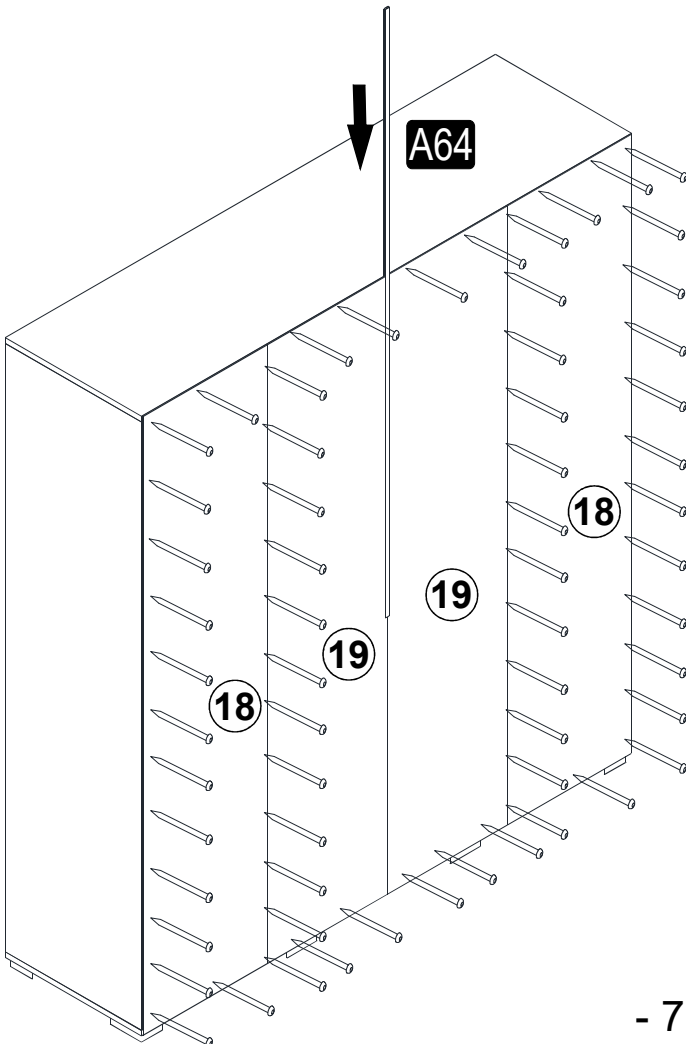
4



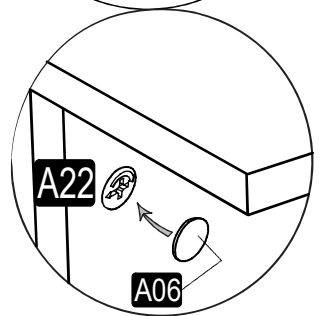
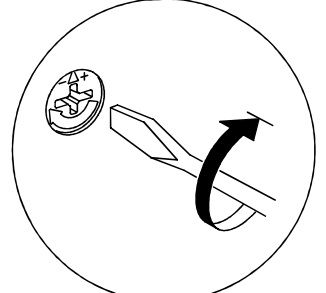
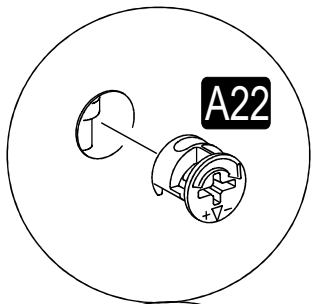
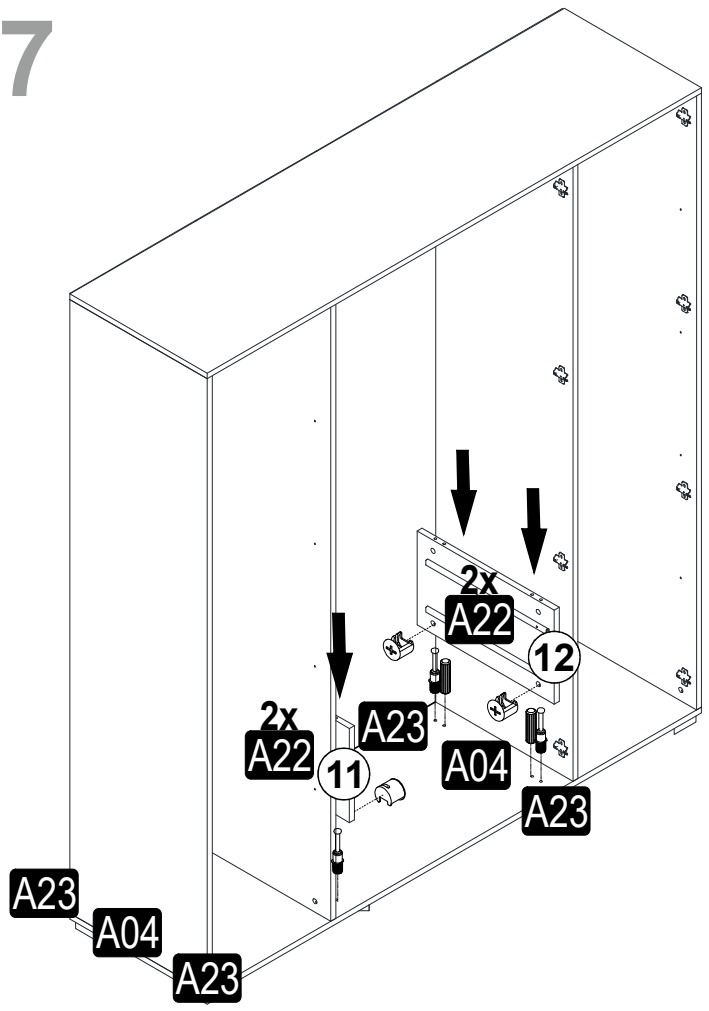
5



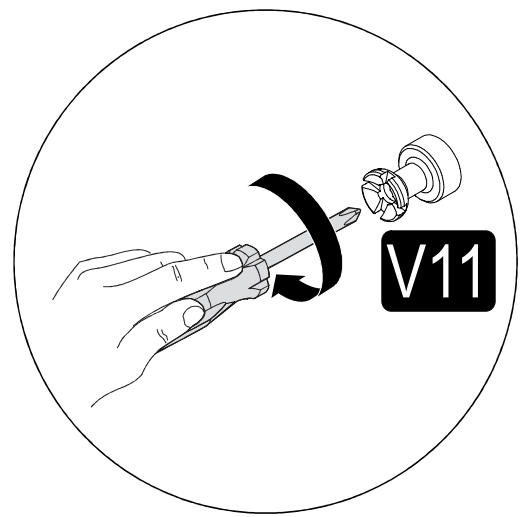
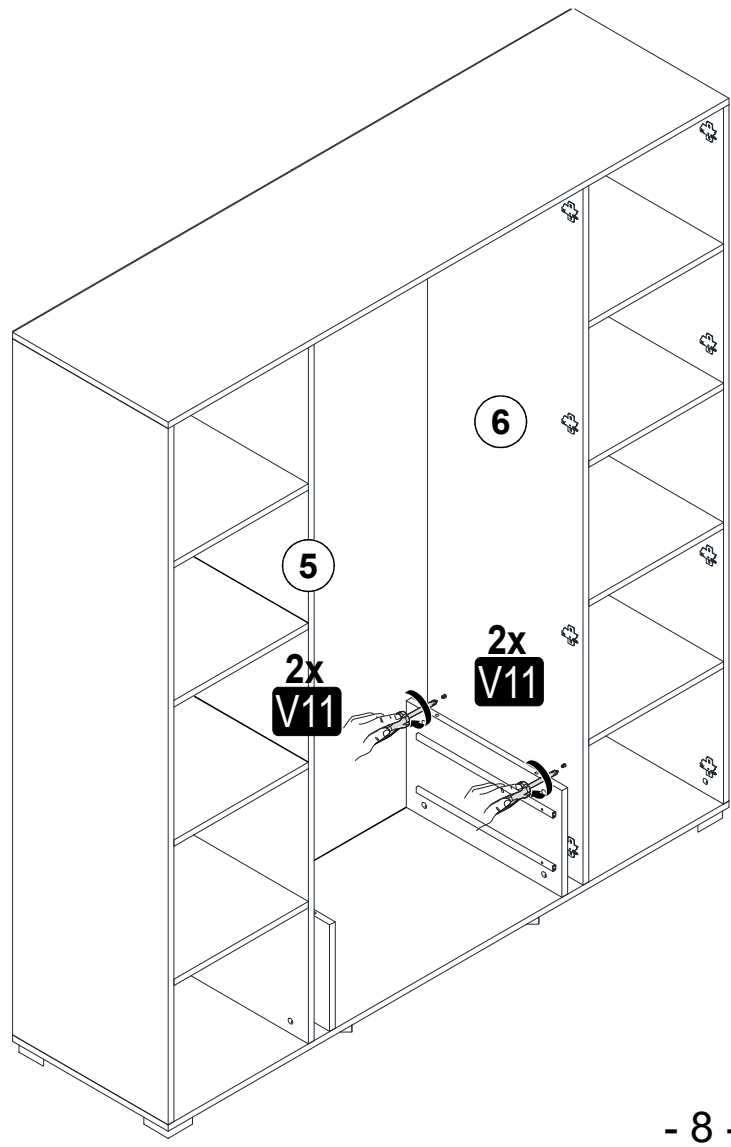
6



7

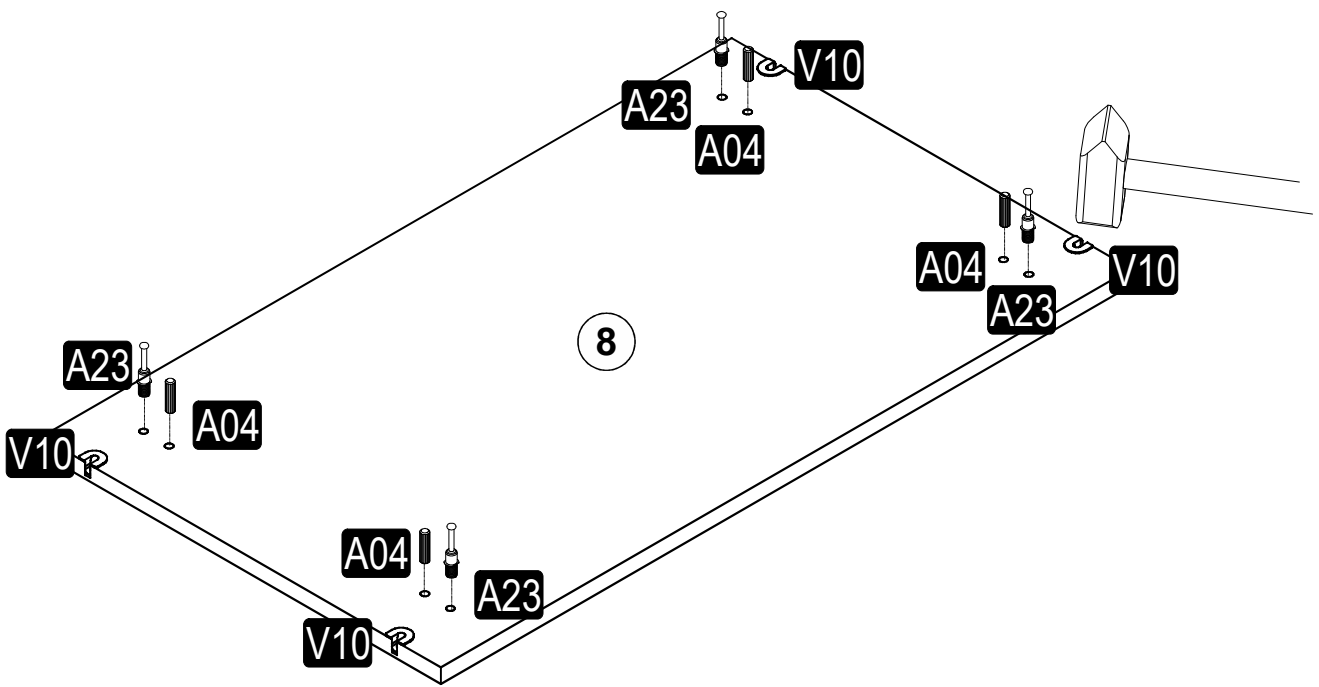


8

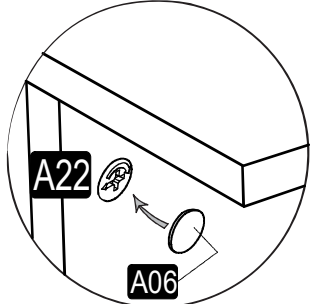
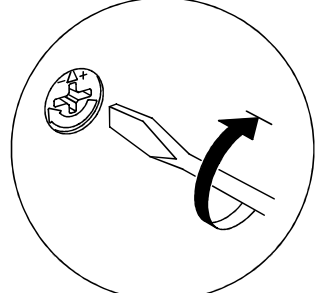
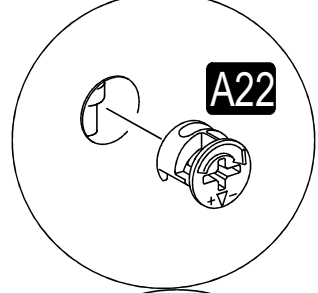
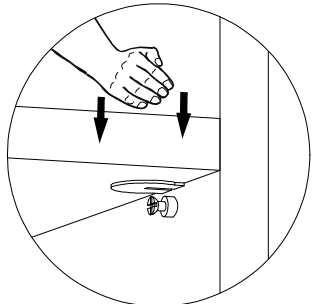
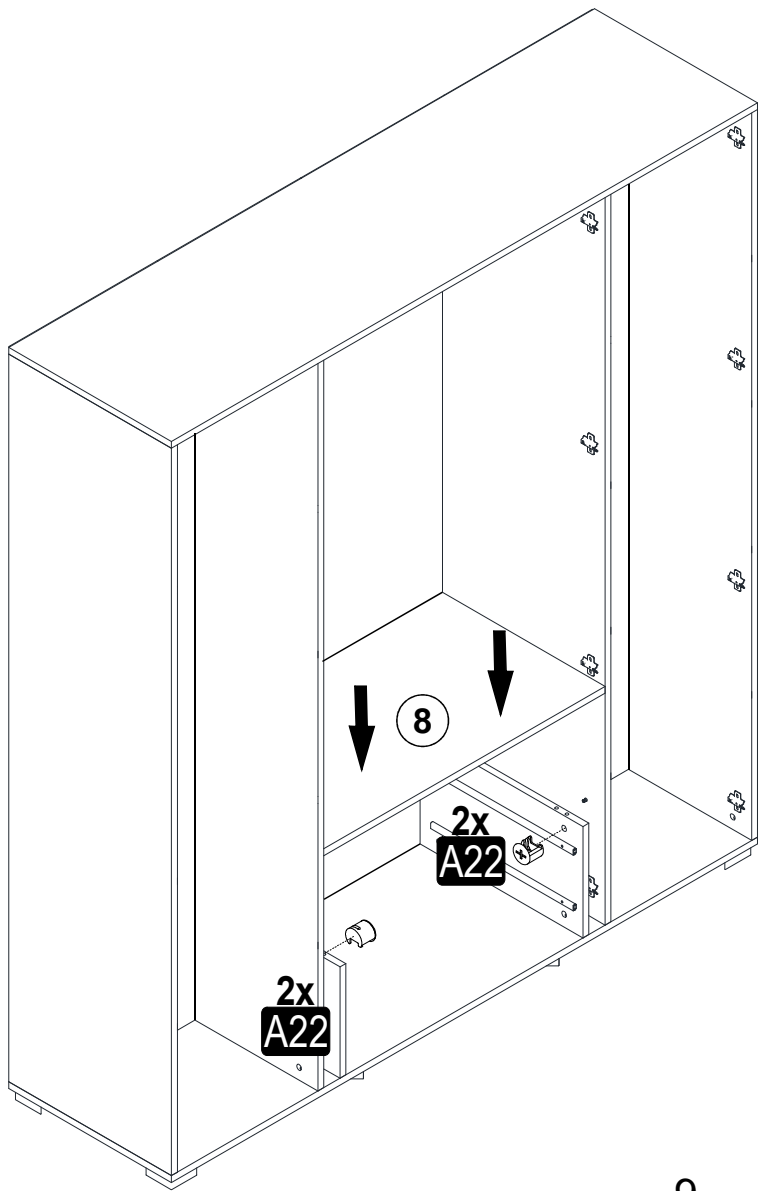




9

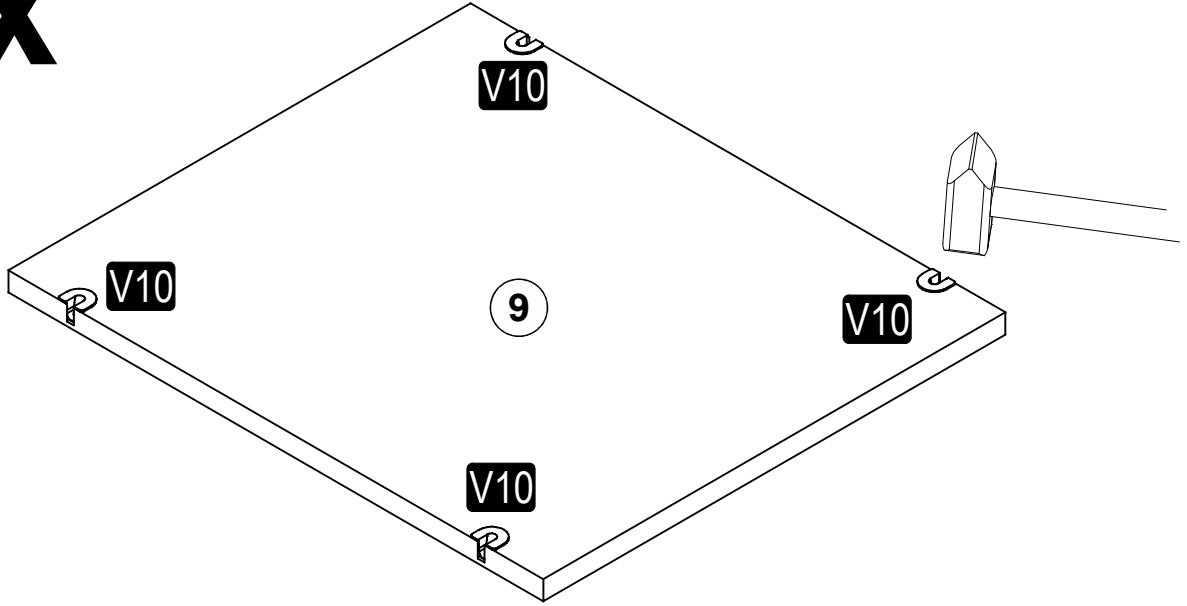


10

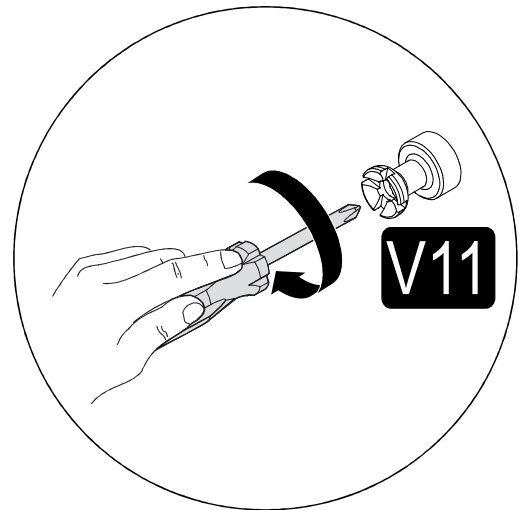
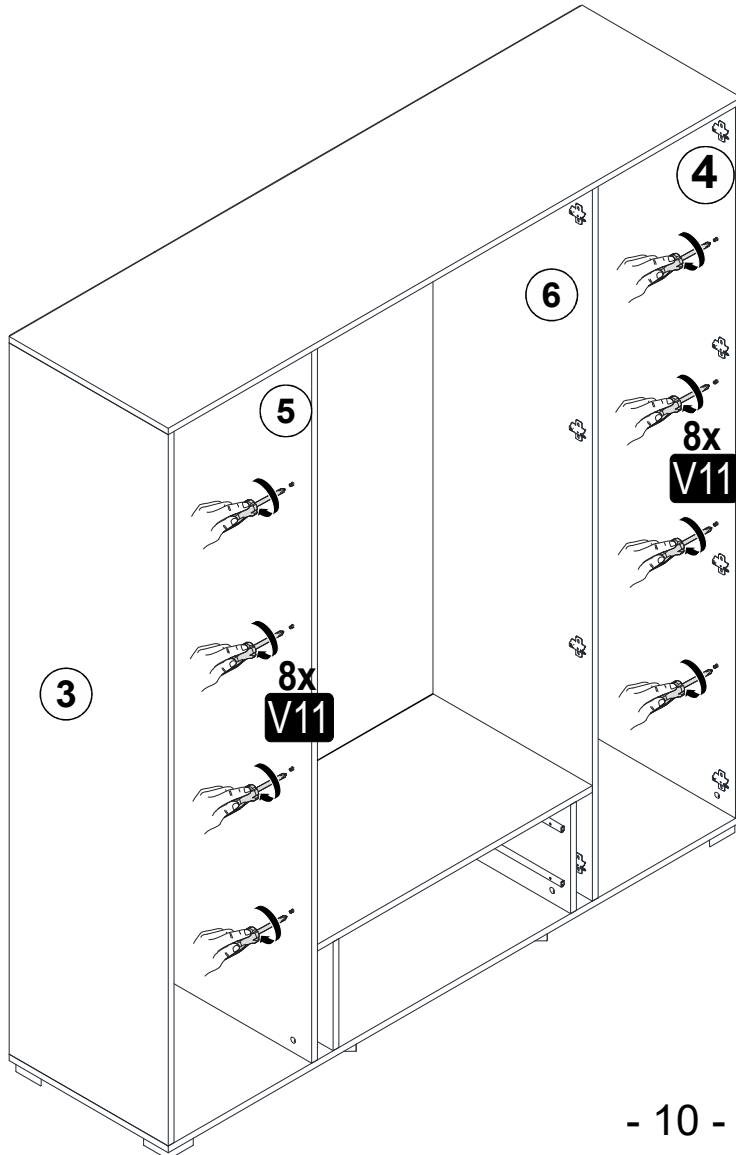


11

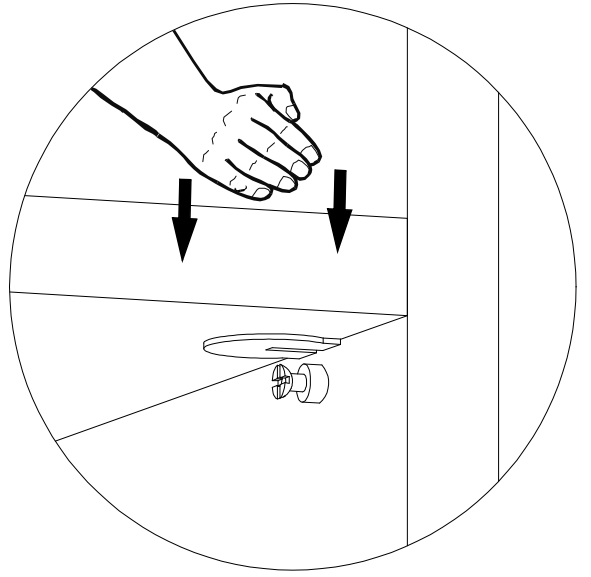
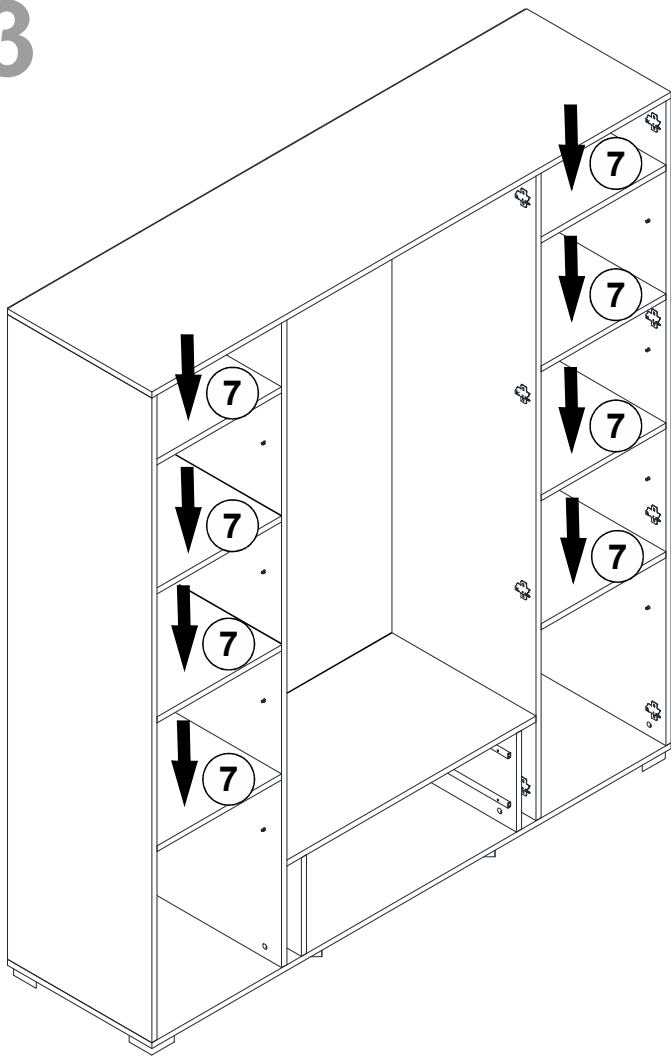
8x



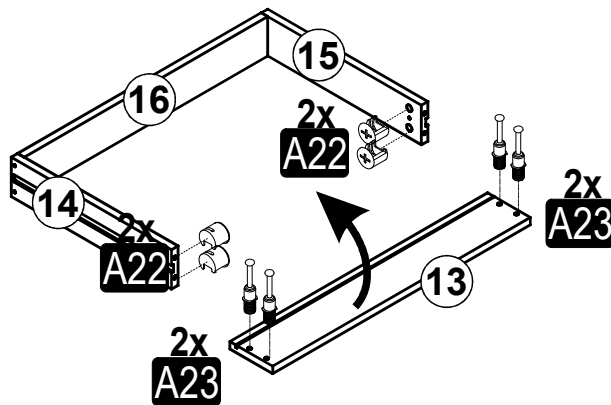
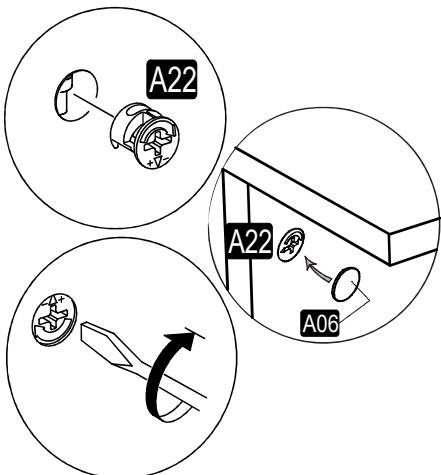
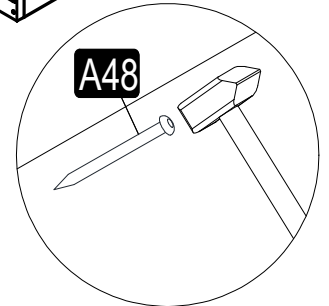
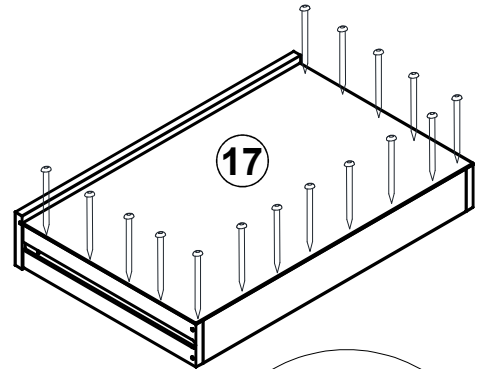
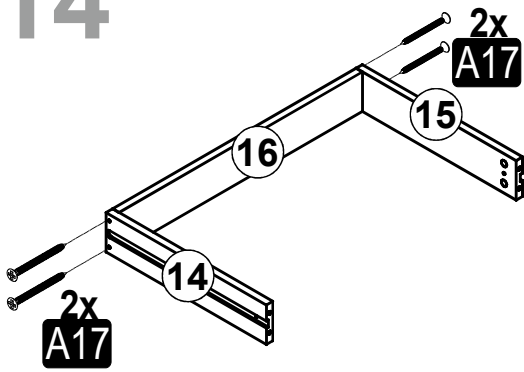
12



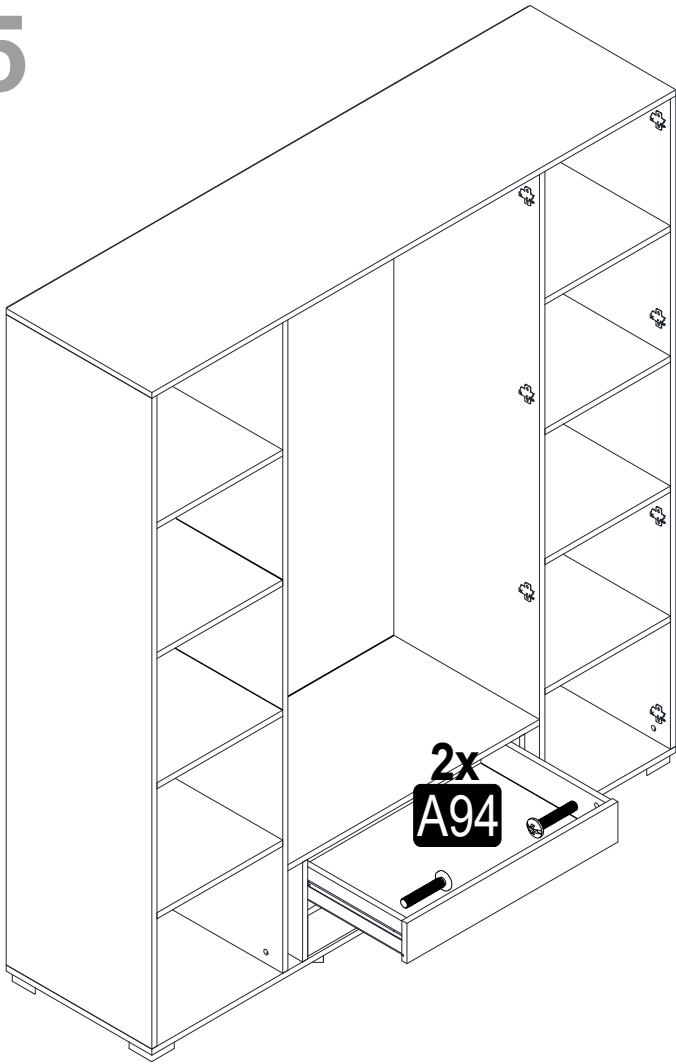
# 13



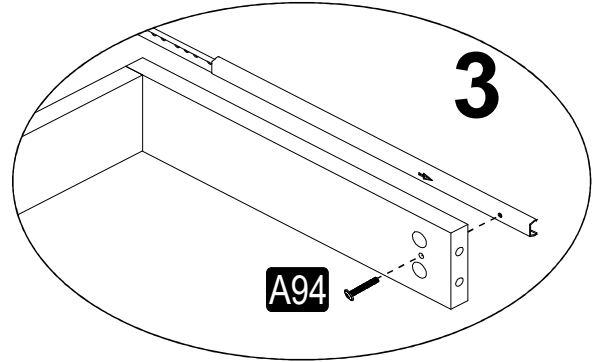
# 14



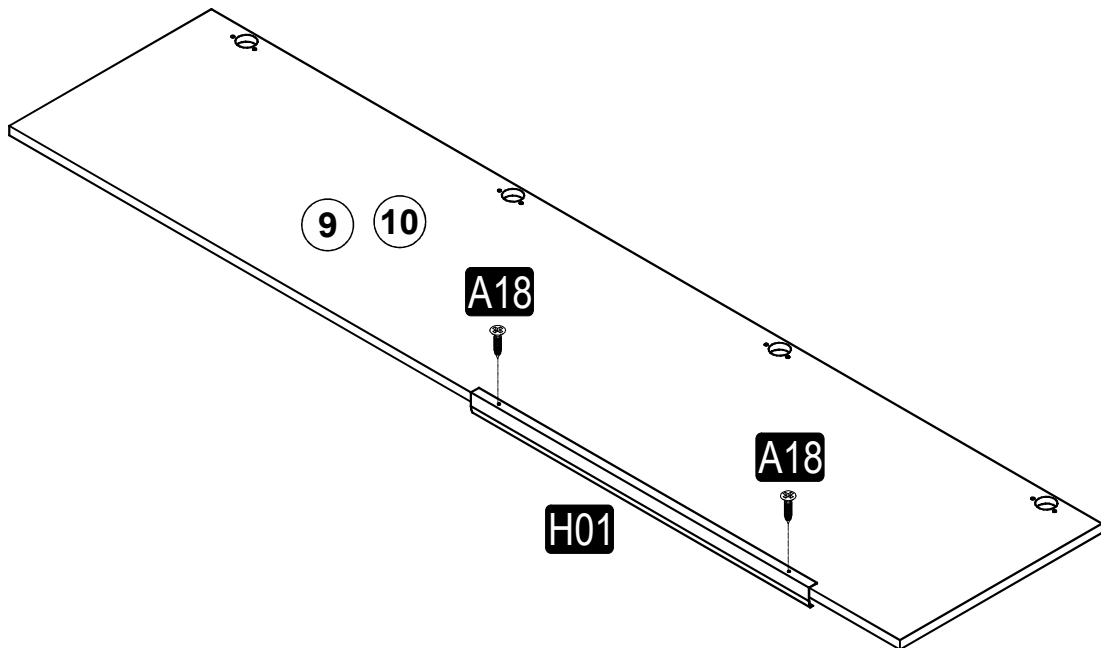
15



2x

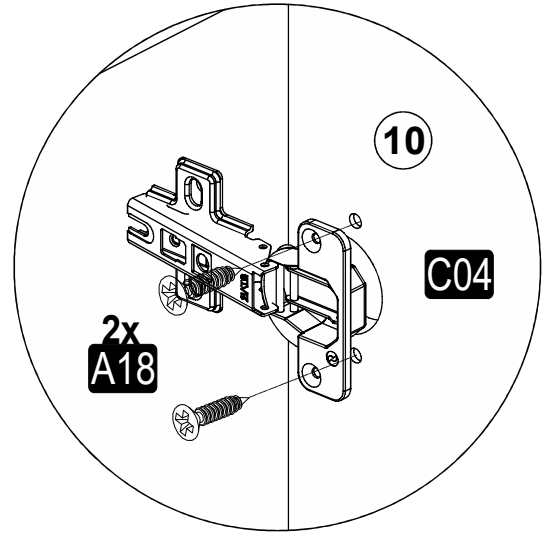
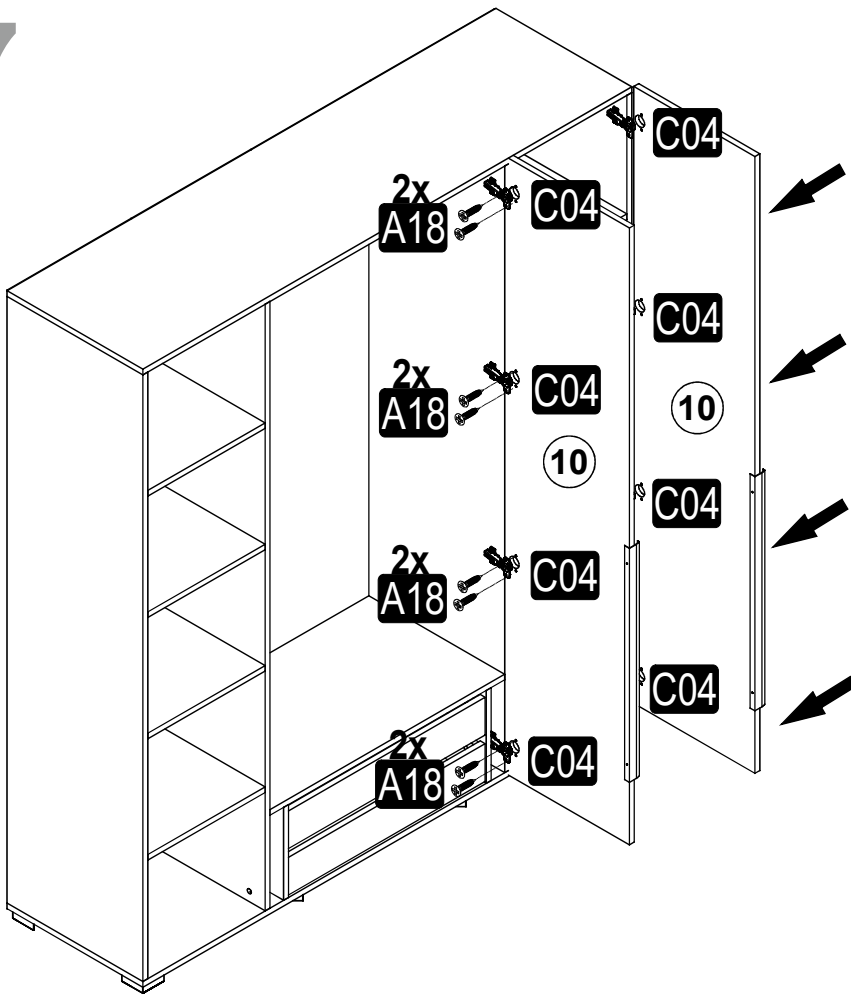


16



4x

17



18

