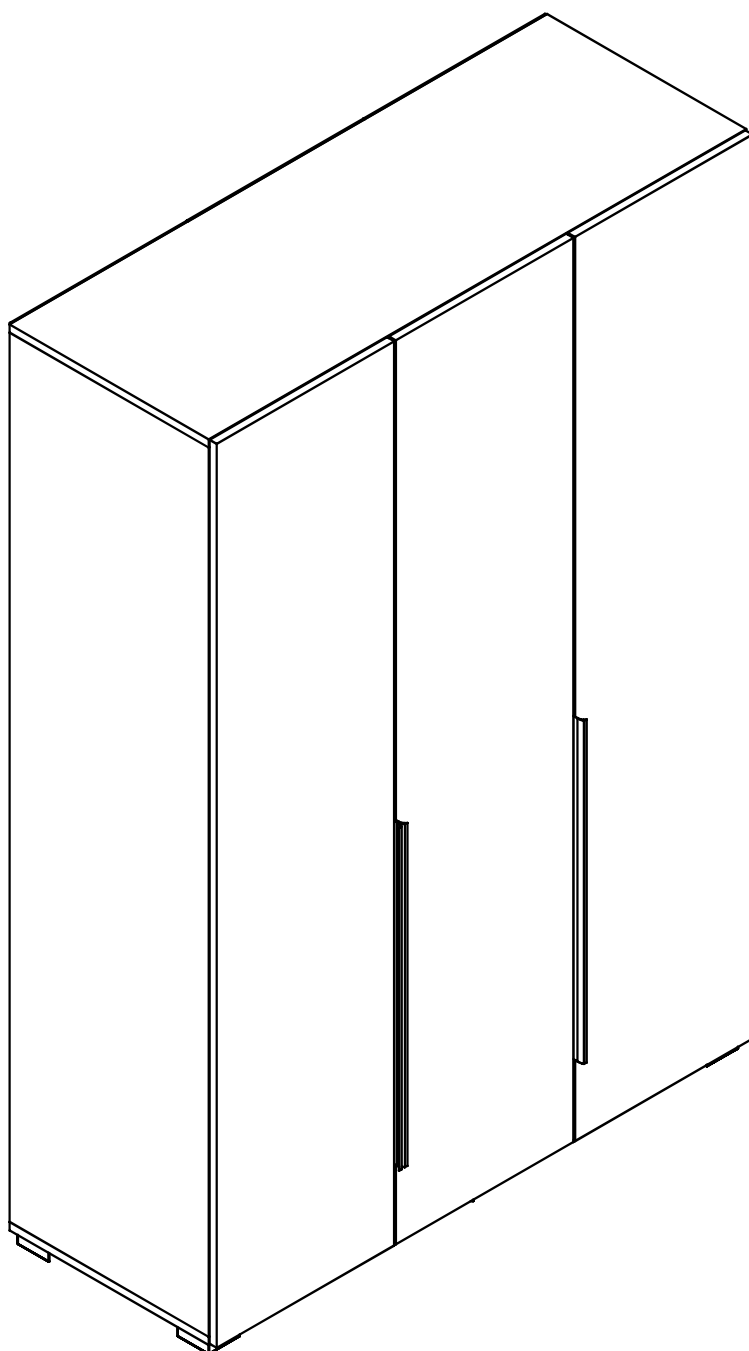


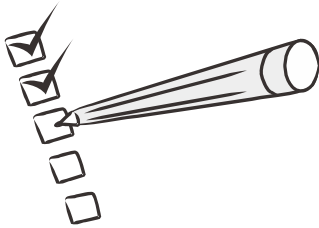
GINA



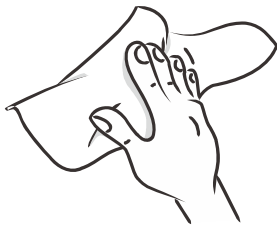
Dear Customer,

We design and produce our products for people to love and have fun with them as we do.

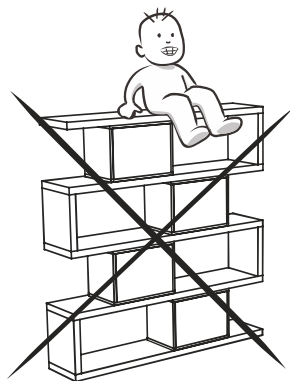
The product you bought was subjected to all sorts of tests and control before sending out to you.



Before start assembling, please check the whole components and accessories according to the lists. If you bought more than one product, to prevent confusion be sure that you completed the first product. Then start the other product's assembling.



Before start assembling, please clean all the components with a damp cloth. Also for usual cleaning, this will be enough.

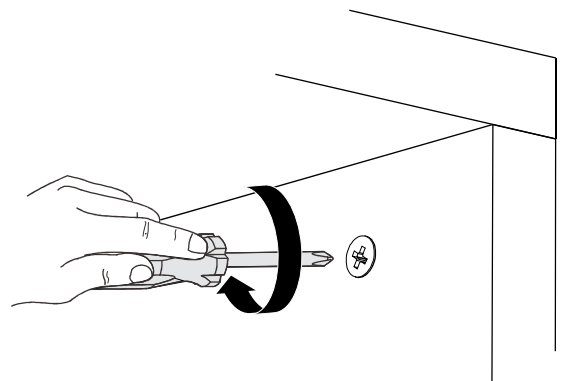
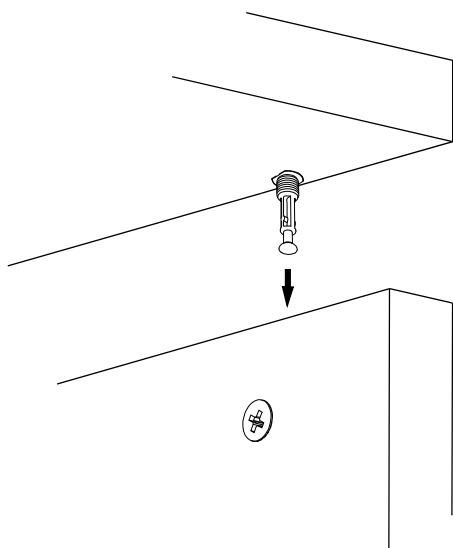
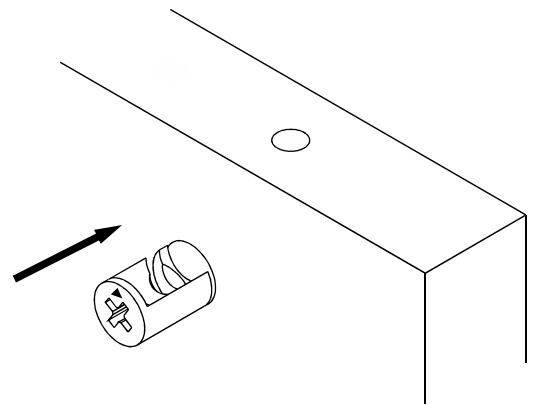
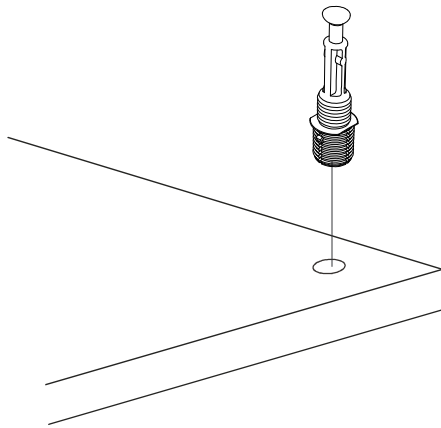
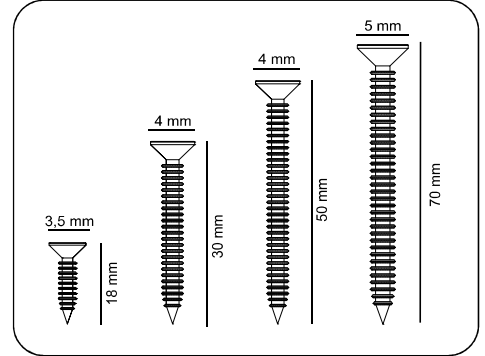
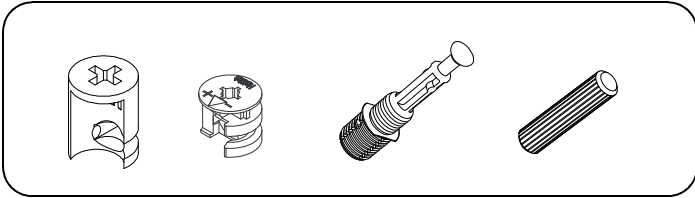


Do not use your furniture for out of purposes. If you would like to use it, please contact us for further questions.

Do not directly contact your furniture with excessive heat, cold and humidity because the product can be affected..

ATTENTION !!

Minifix is the main connection material used in products. Before starting assembly, please check the drawings below.

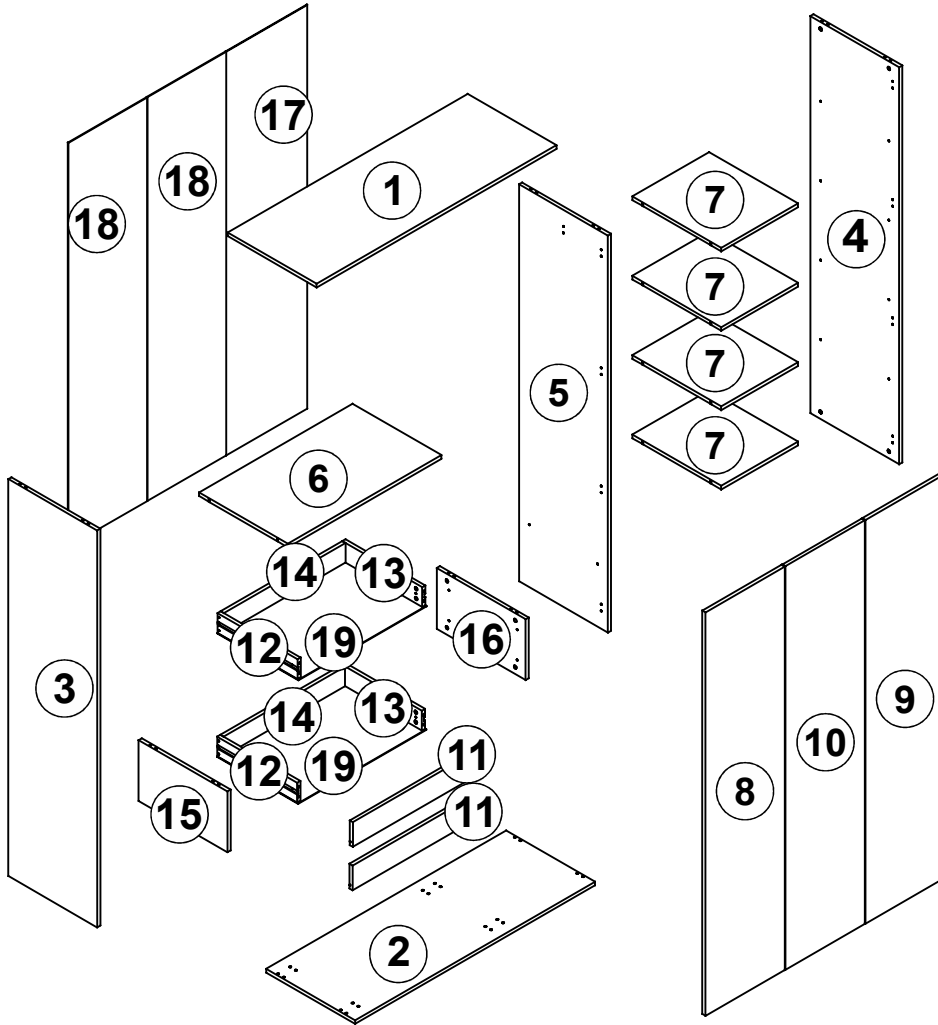


ACCESSORY LIST

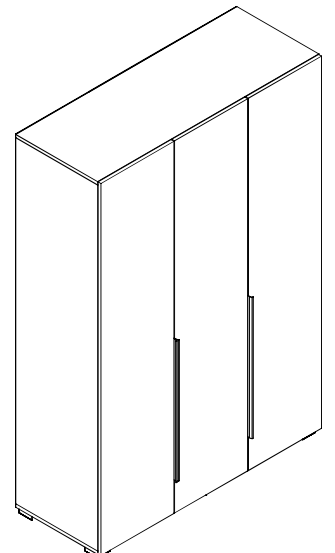
GİNA 3 KAPILI DOLAP

A23 Minifix M8 8x34 28x	A22 Minifix G18 15x14 28x	A04 PLSTK KVLV 8x30 20x	A18 YHB VD 3,5x18 69x	A17 YHB VD 4x50 8x
A94 YSB MVD 4x15 4x	A34 YHB VD 3,5x25 18x	A73 UCGN AYK SYH 30mm 6x	C01 DM 12x	C04 D MA 12x
R07 BLY RAY 17x438 2x	V10 RFIX 20x14 20x	V11 RFIX VD 5x13 20x	A55 ASK BRS 854 mm 1x	A24 ASK FLNS 2x
A48 ARKLK CVS 74x	A06 SFR MŞE 18 mm 28x	A64 H ARKLIK CTS 1930 mm 1x	H01 ALMNYM KLP SYH 746mm 3x	

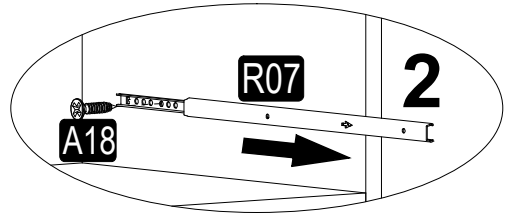
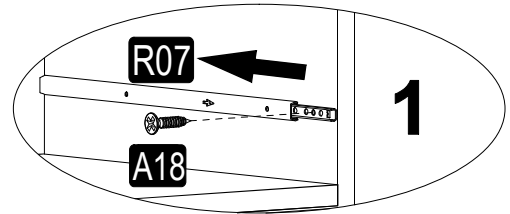
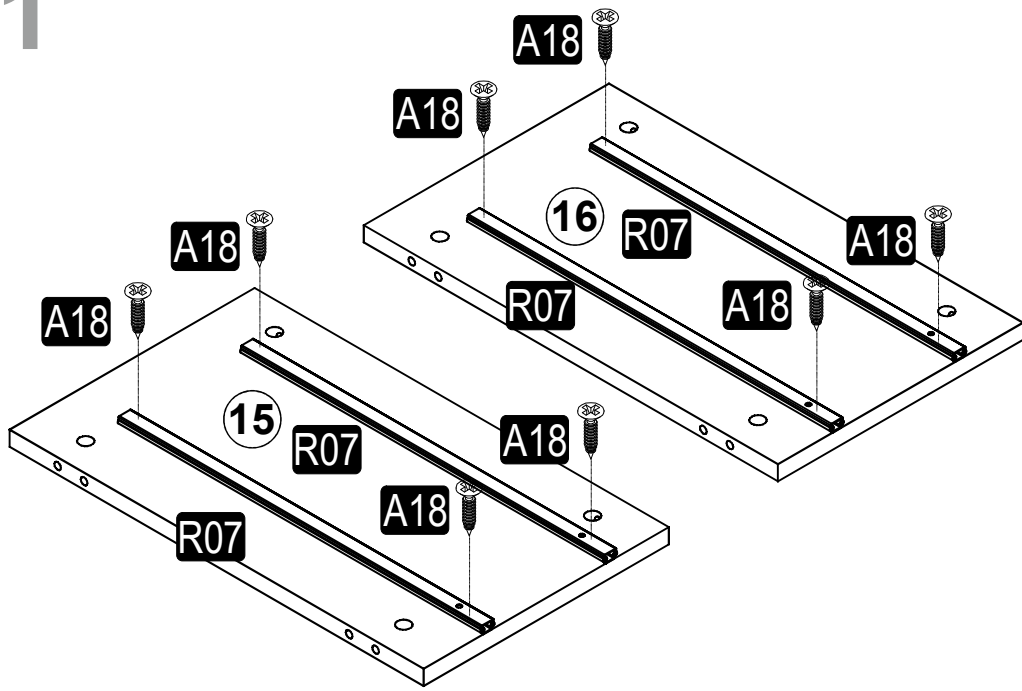
GENERAL VIEW



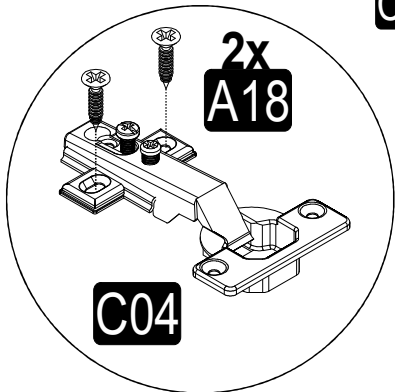
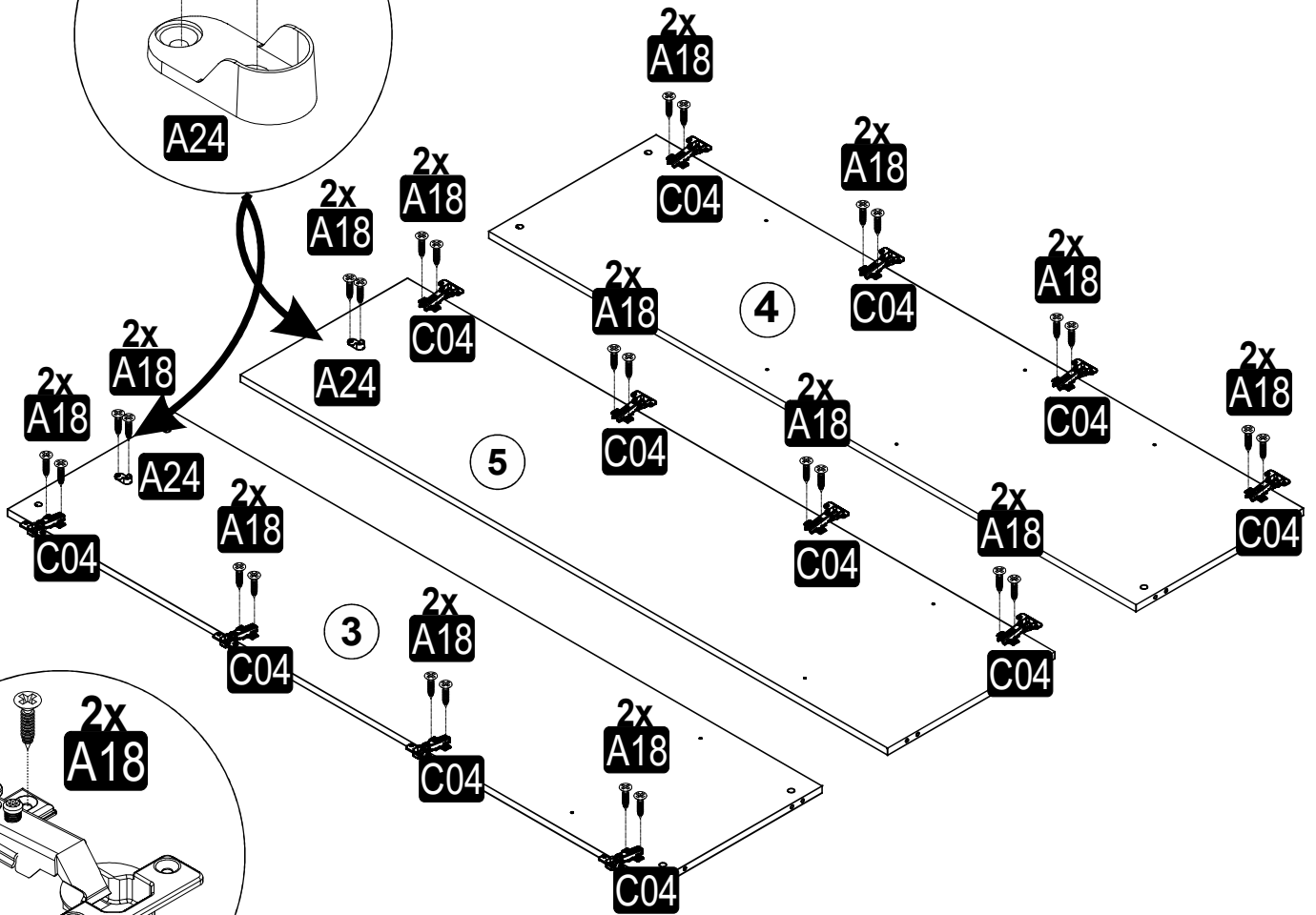
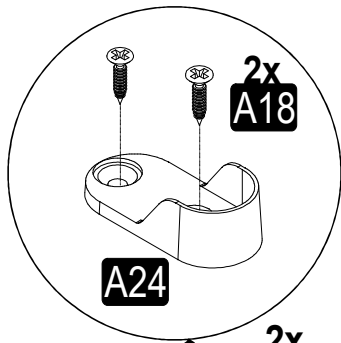
.01	1	1350	500	18
.02	1	1350	500	18
.03	1	1934	500	18
.04	1	1934	500	18
.05	1	1934	500	18
.06	1	864	500	18
.07	4	500	432	18
.08	1	1966	446	18
.09	1	1966	446	18
.10	1	1966	446	18
.11	2	724	120	18
.12	2	450	96	18
.13	2	450	96	18
.14	2	684	96	18
.15	1	500	296	18
.16	1	500	296	18
.17	1	1967	456	3
.18	2	1967	444	3
.19	2	720	456	3



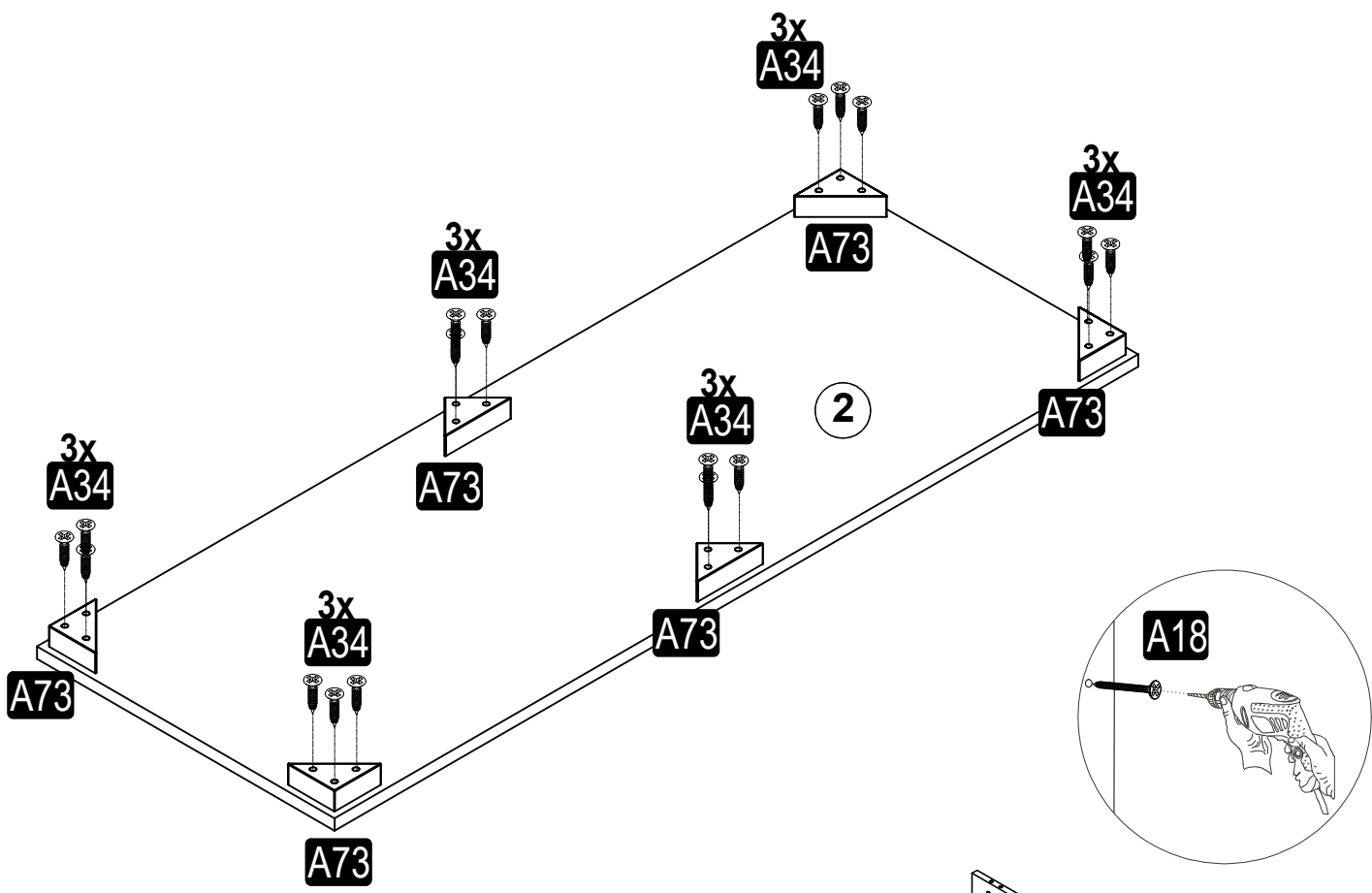
1



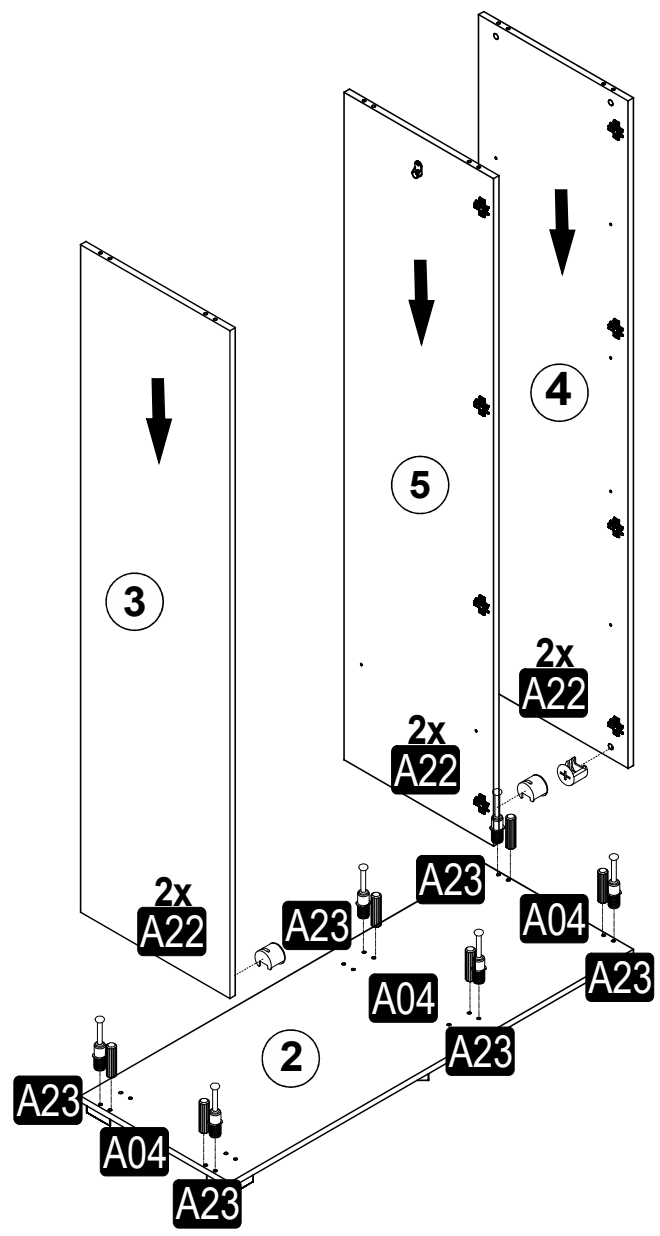
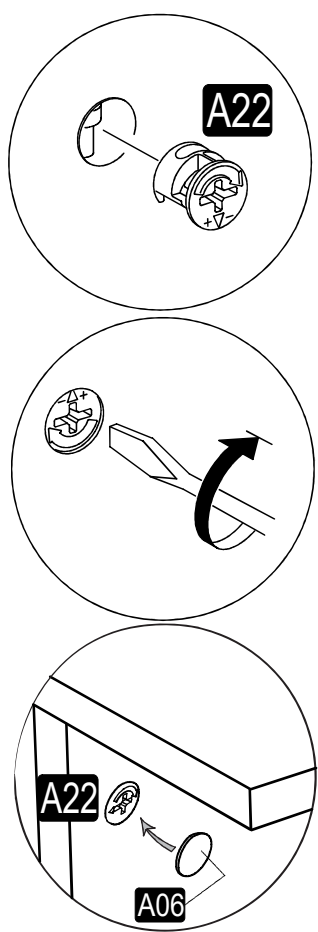
2



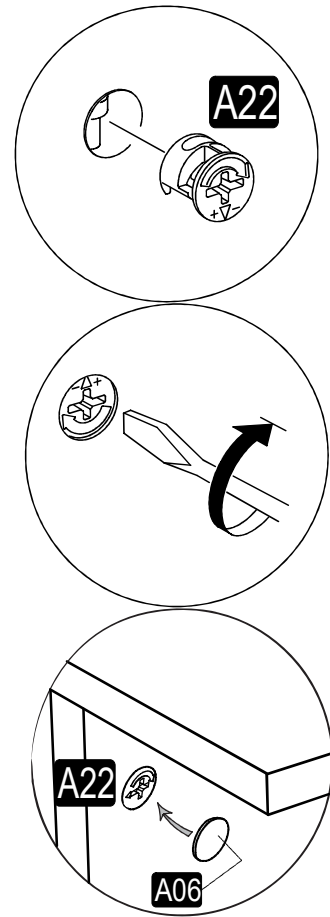
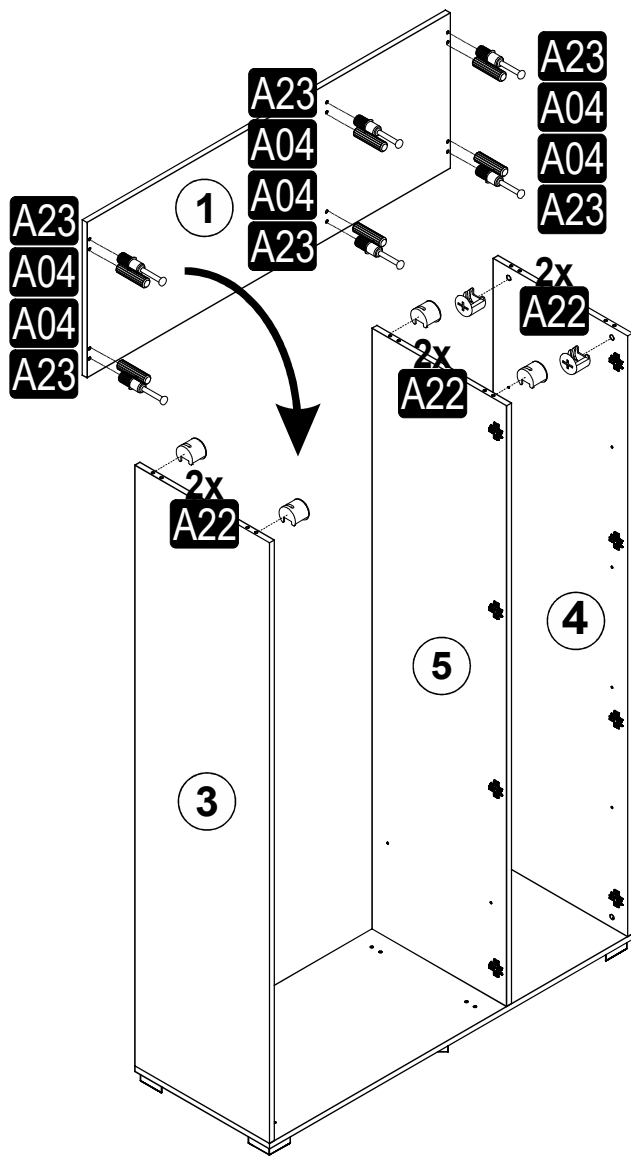
3



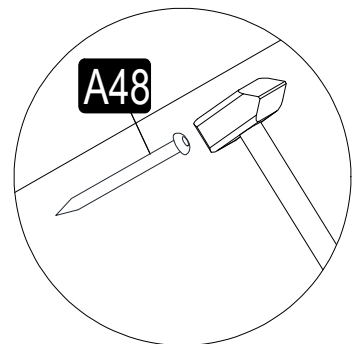
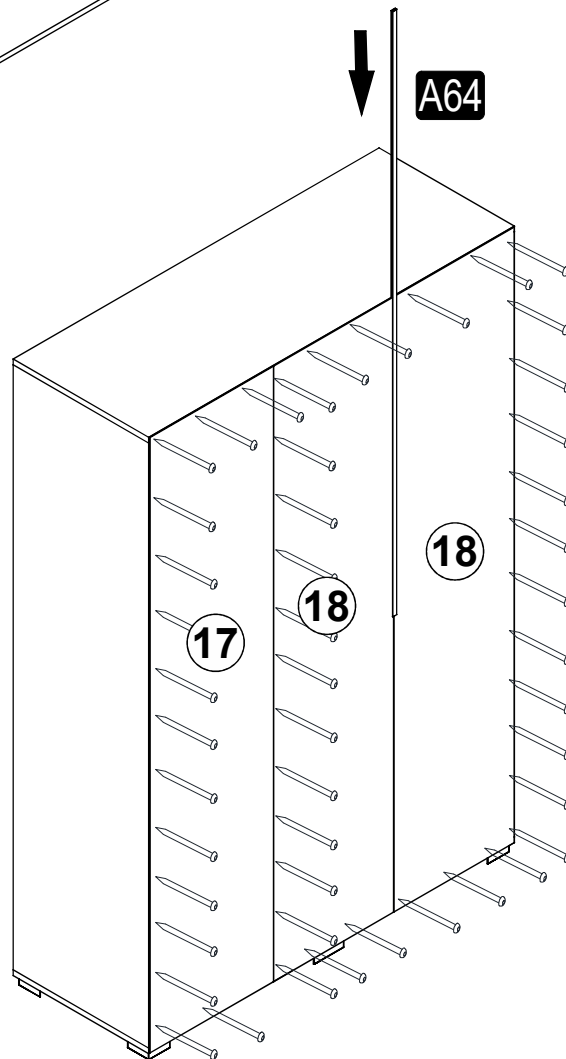
4



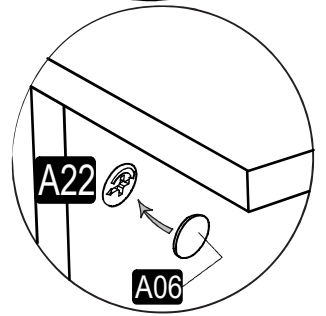
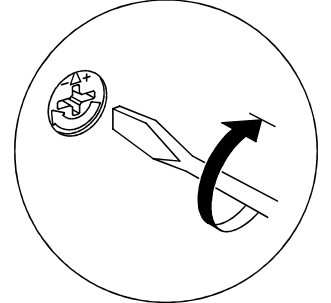
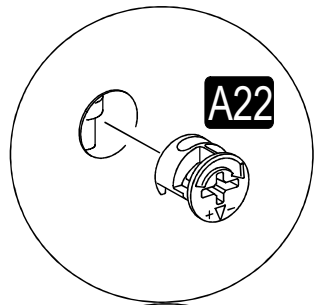
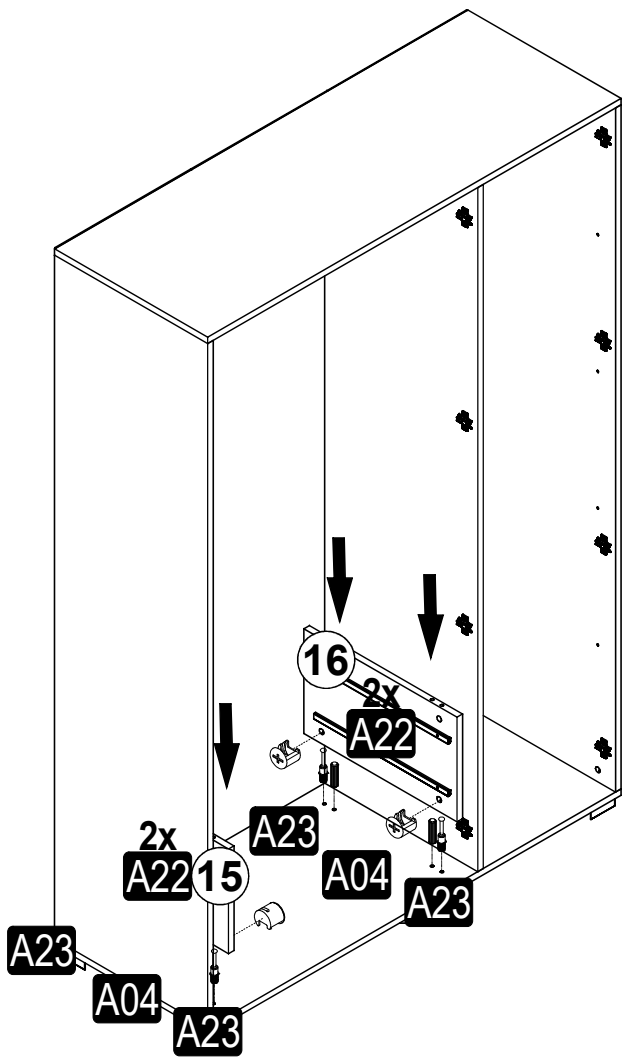
5



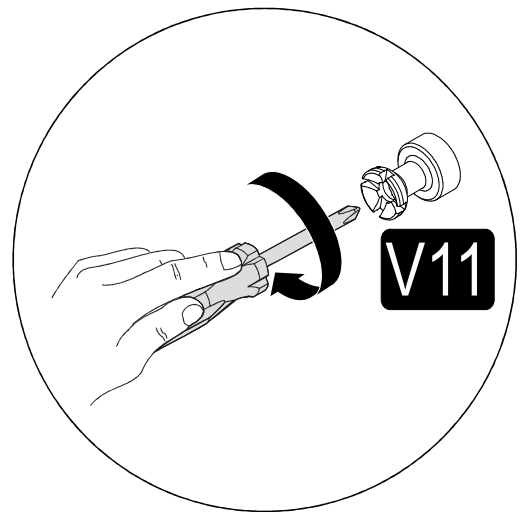
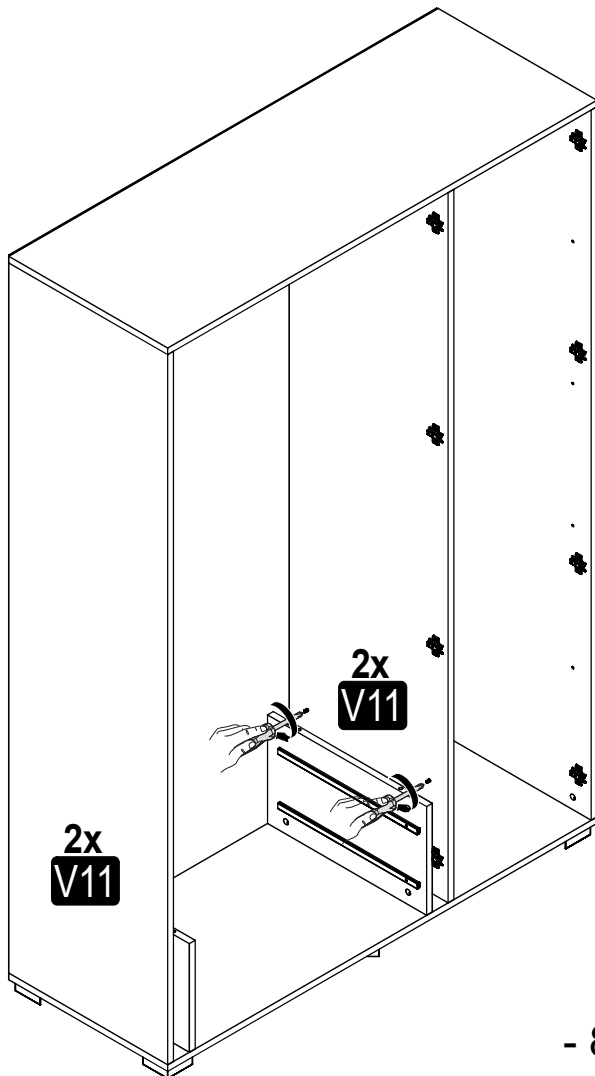
6



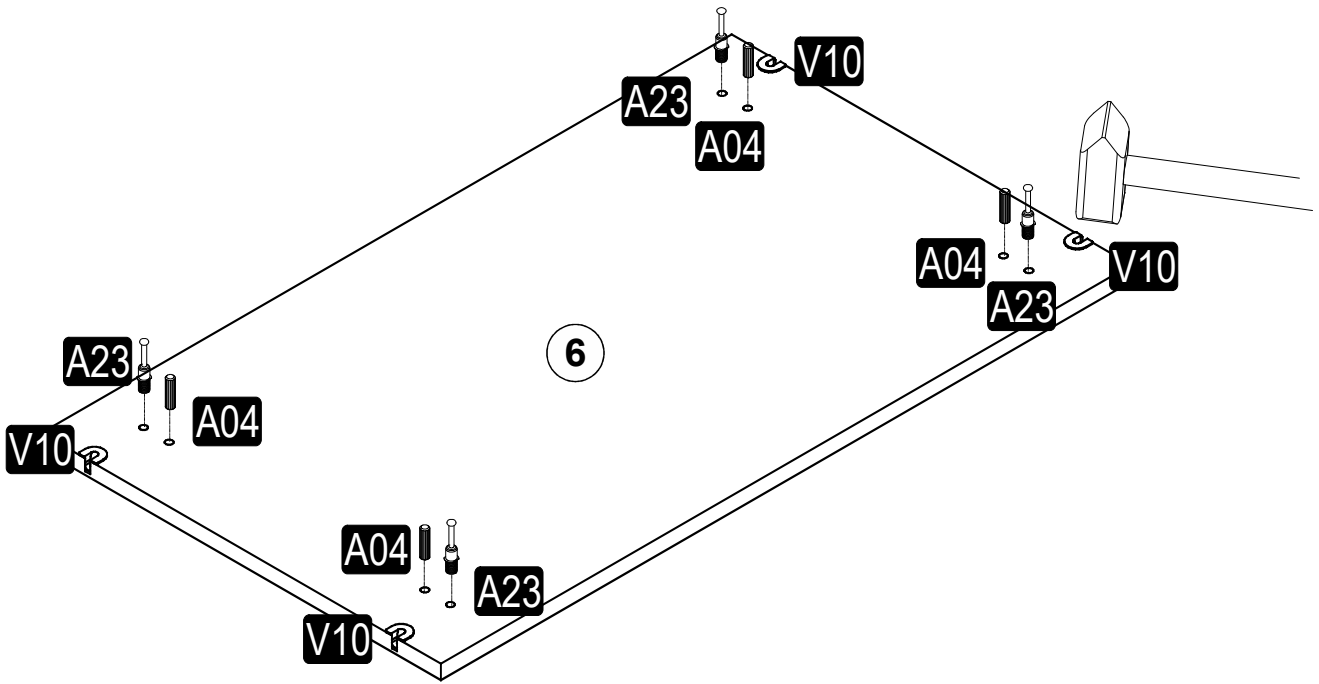
7



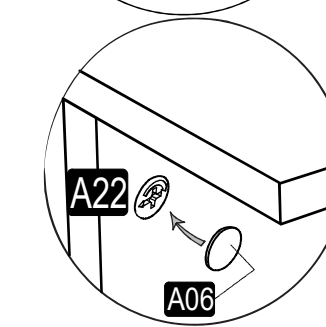
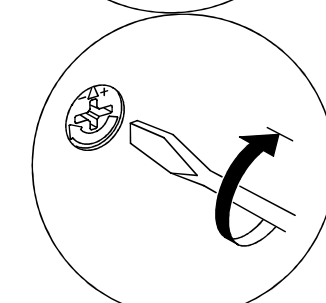
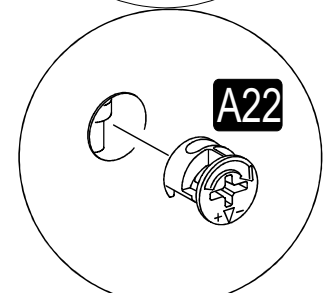
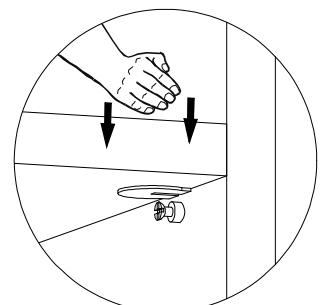
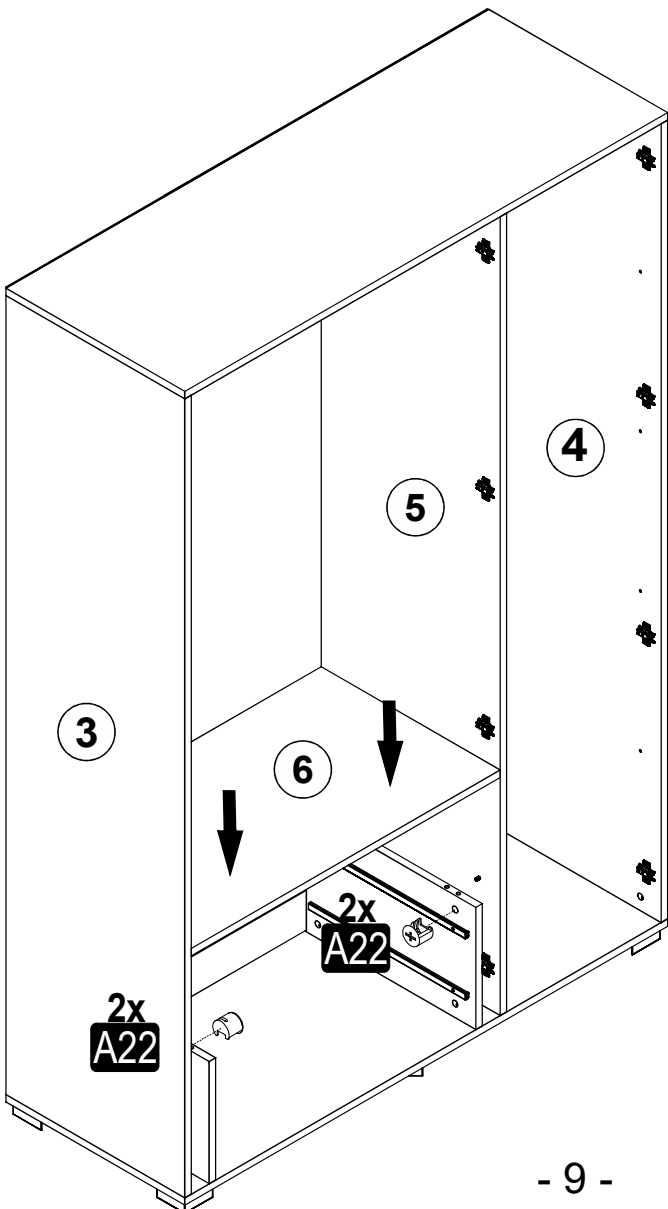
8



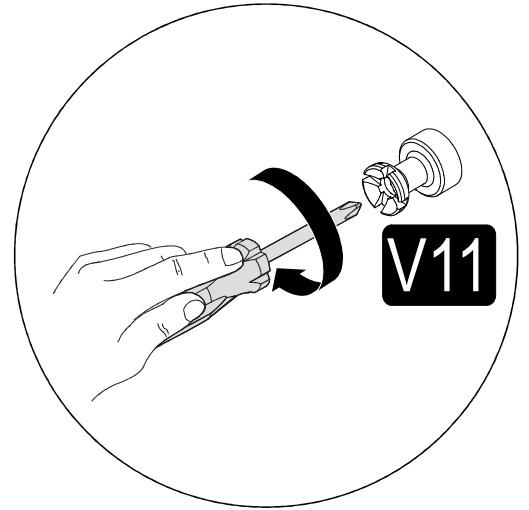
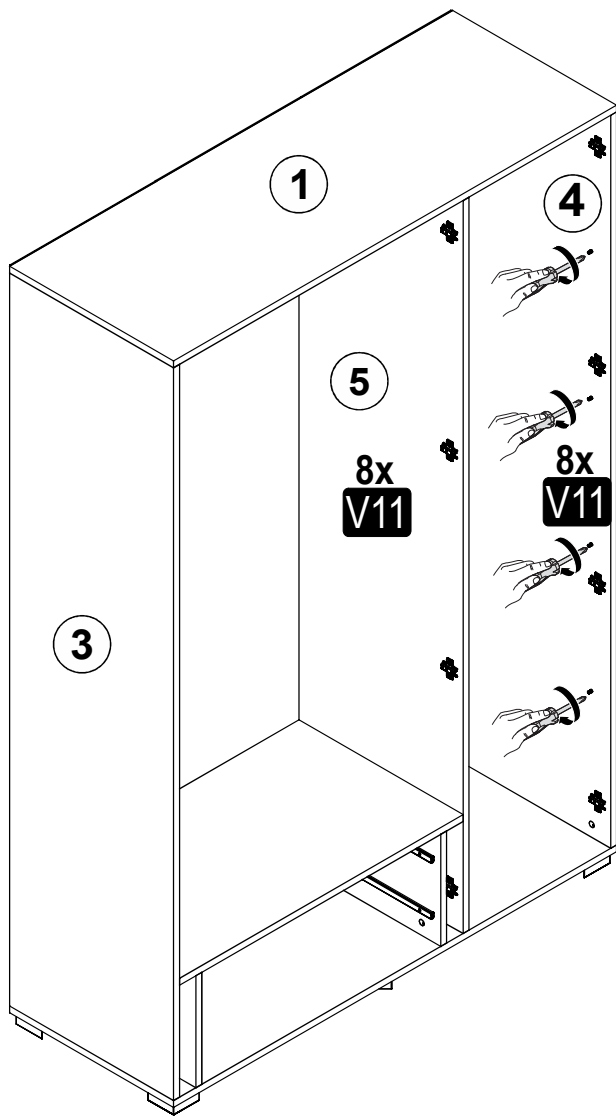
9



10

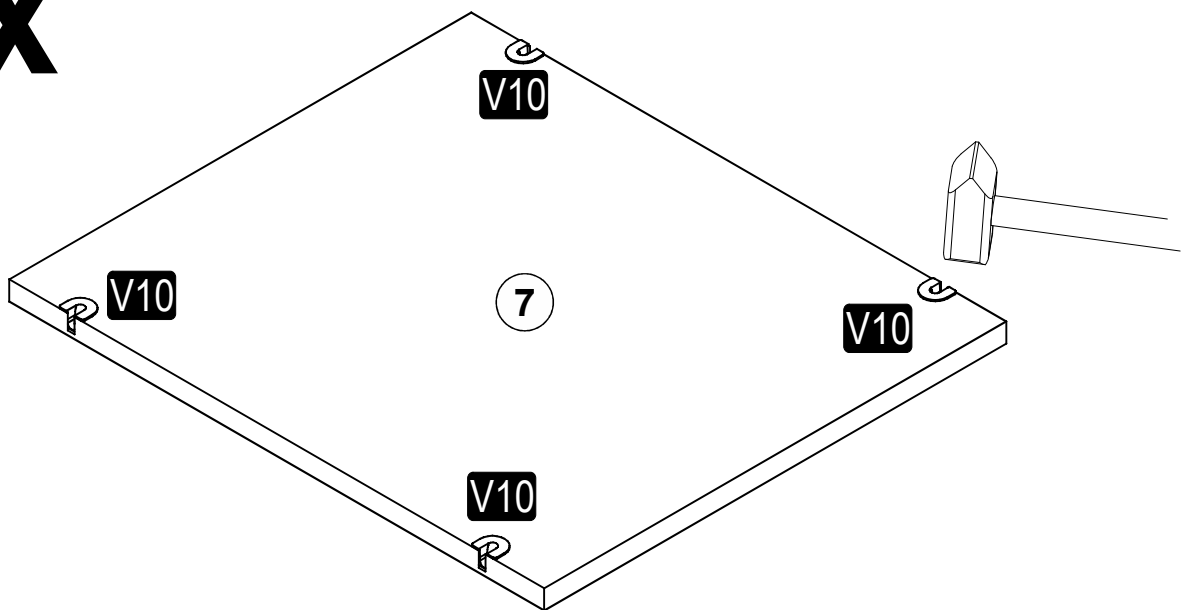


11

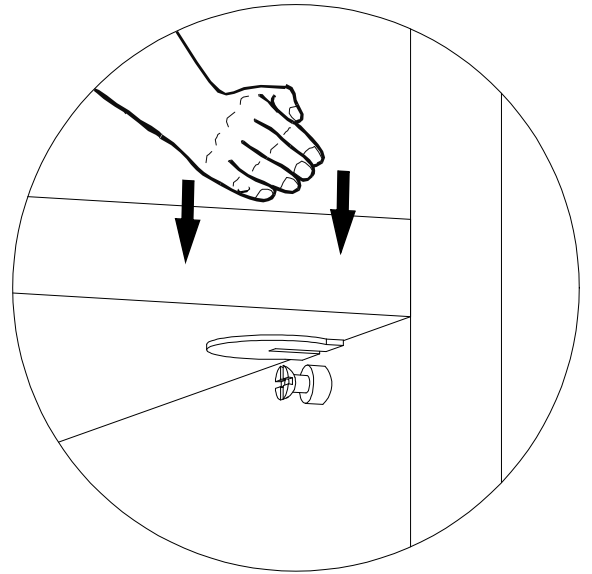
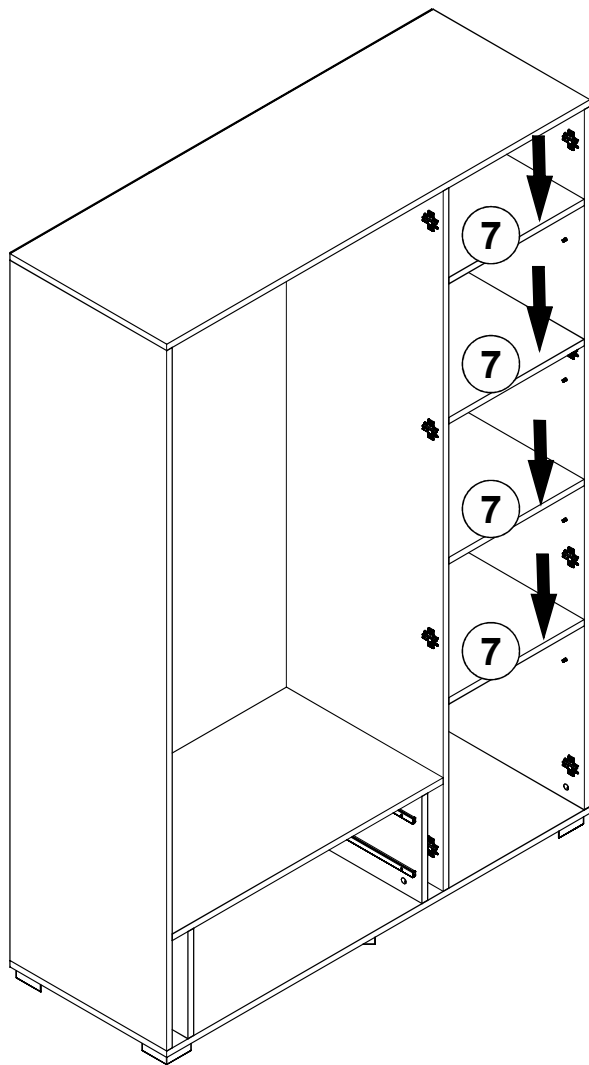


12

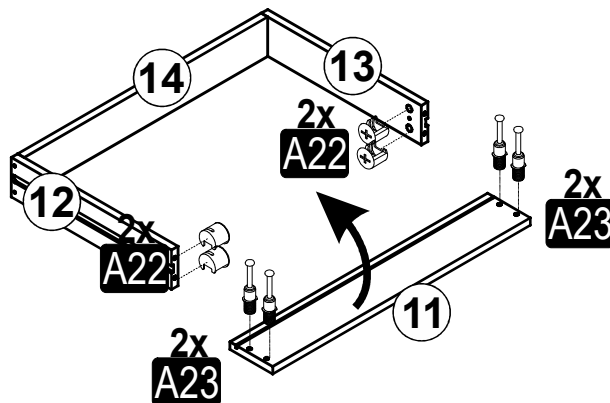
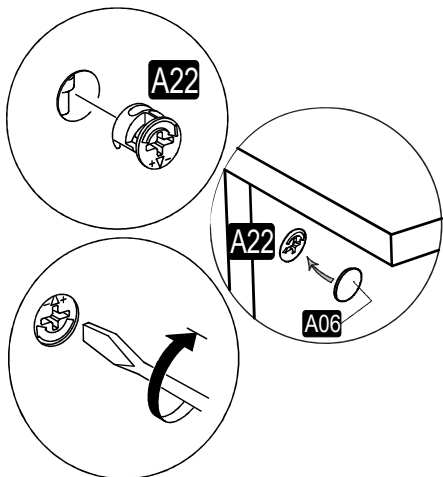
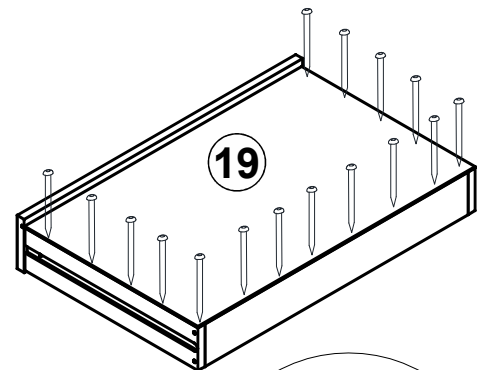
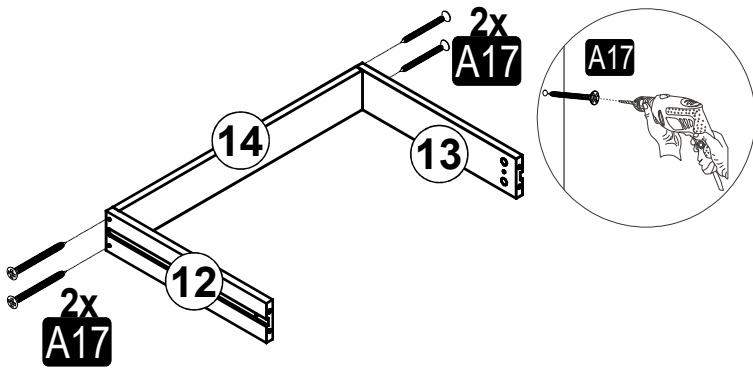
4x



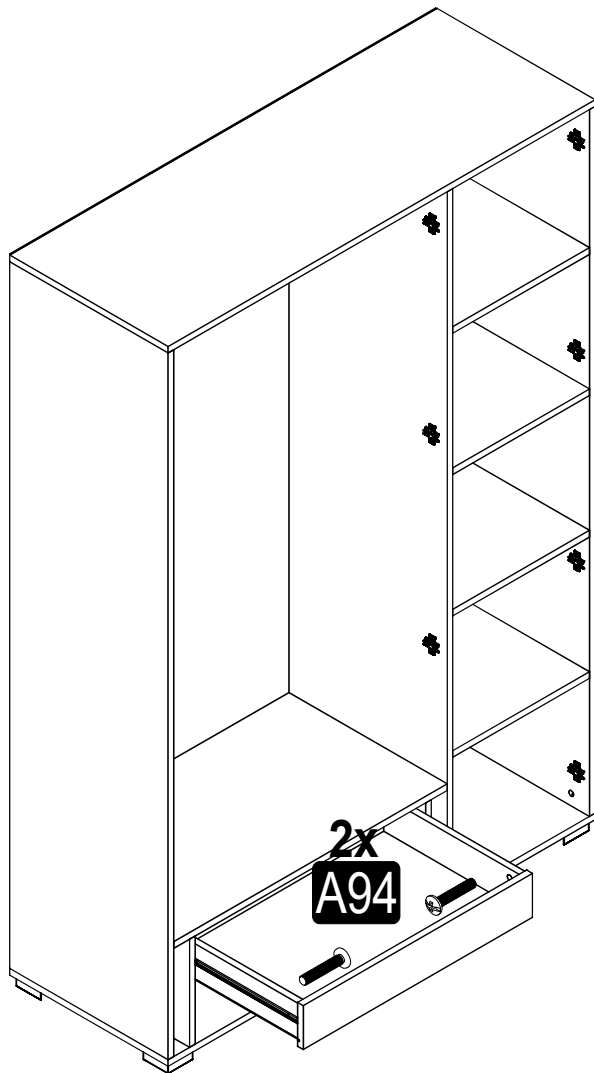
13



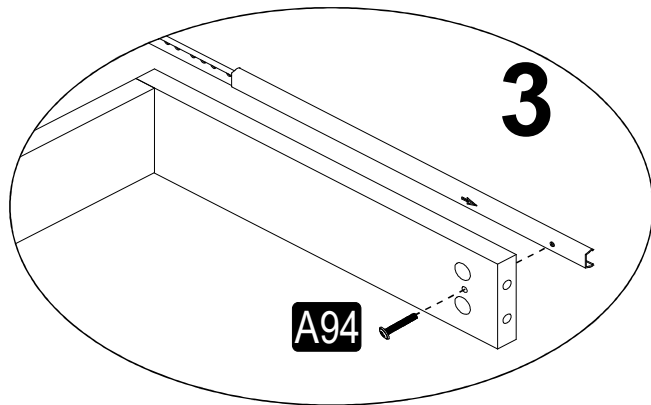
14



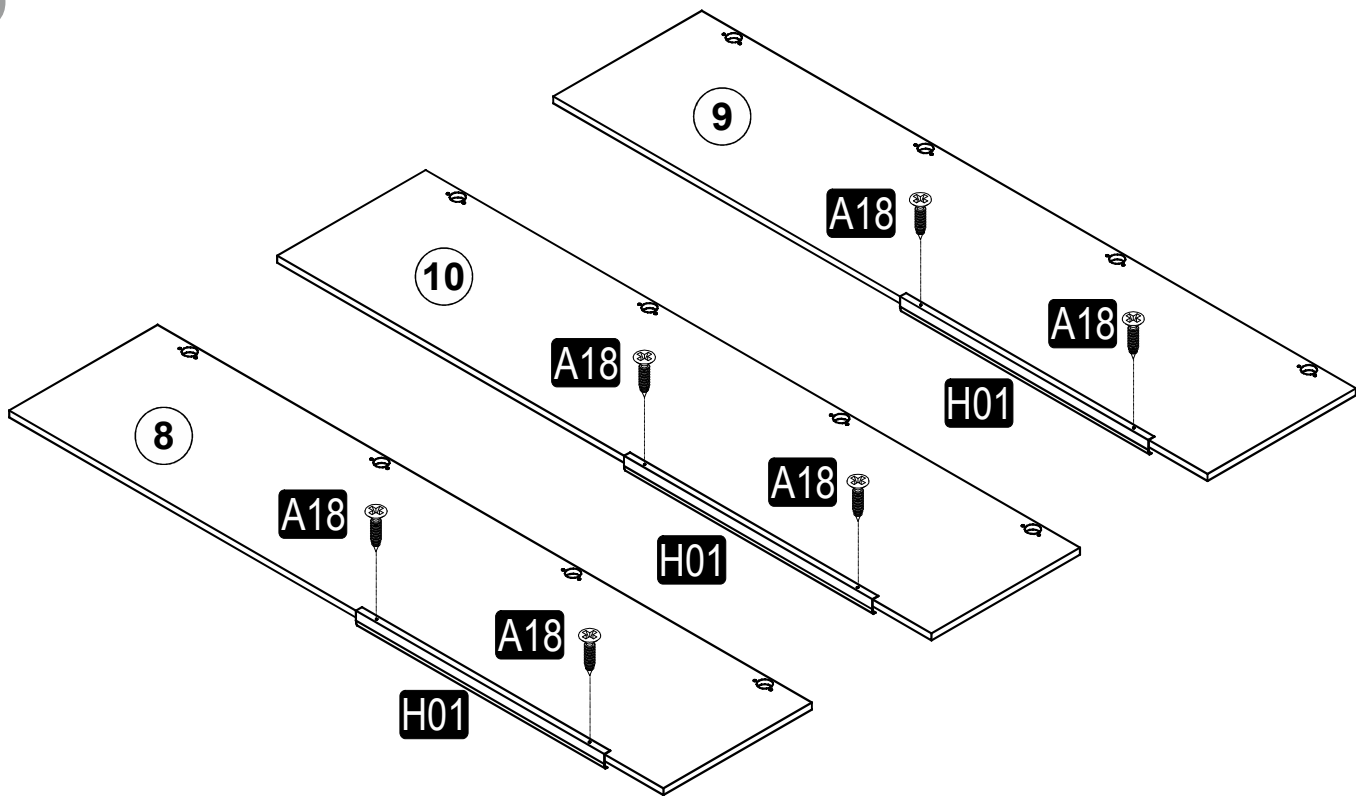
15



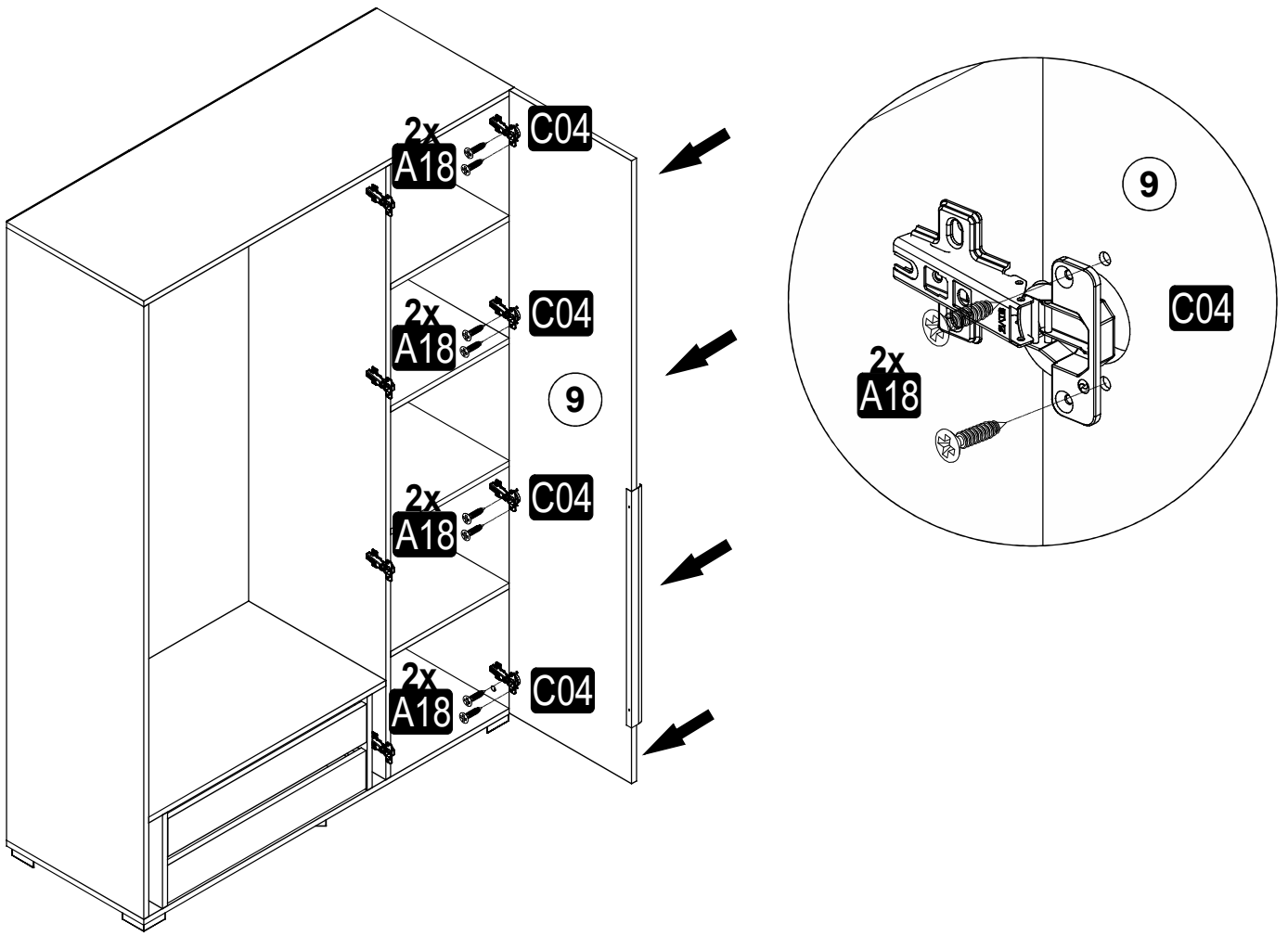
2x



16



17



18

