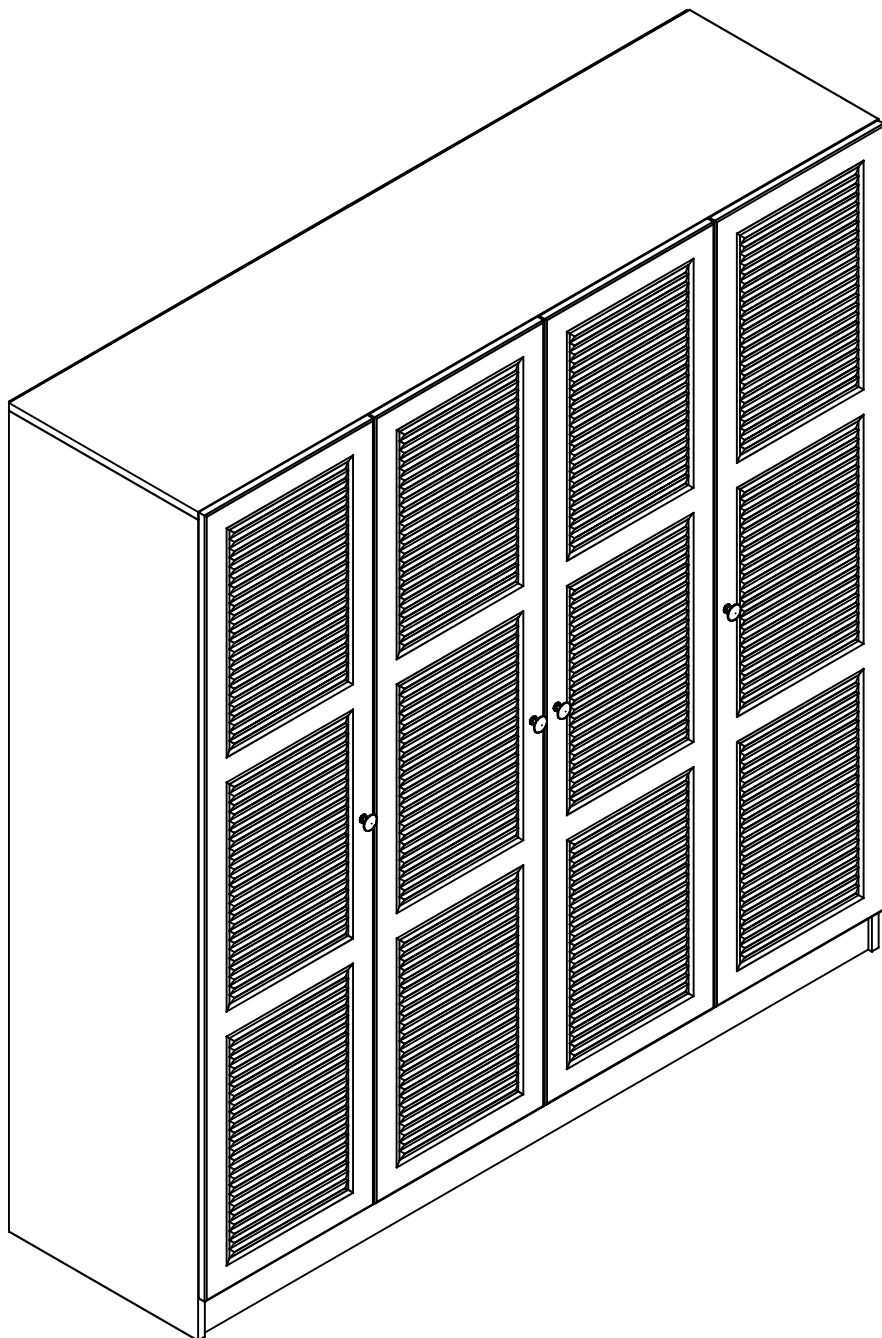


# MAJA

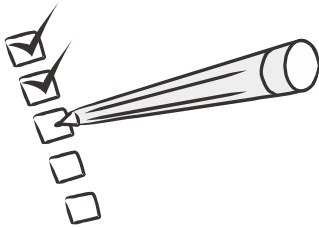
---



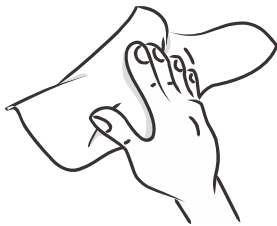
Dear Customer,

We design and produce our products for people to love and have fun with them as we do.

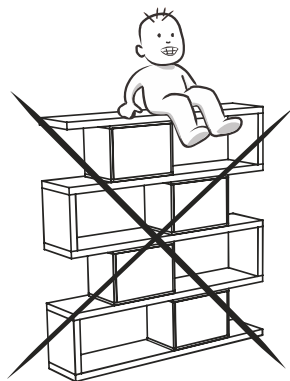
The product you bought was subjected to all sorts of tests and control before sending out to you.



Before start assembling, please check the whole components and accessories according to the lists. If you bought more than one product, to prevent confusion be sure that you completed the first product. Then start the other product's assembling.



Before start assembling, please clean all the components with a damp cloth. Also for usual cleaning, this will be enough.

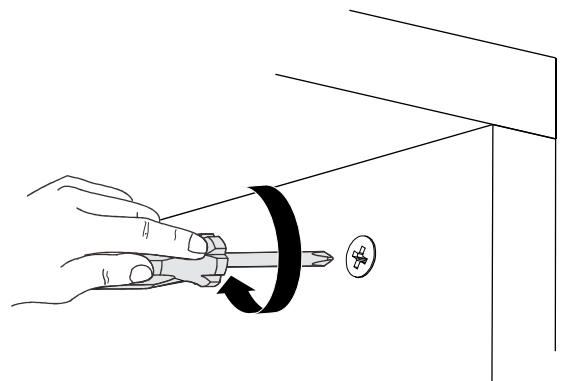
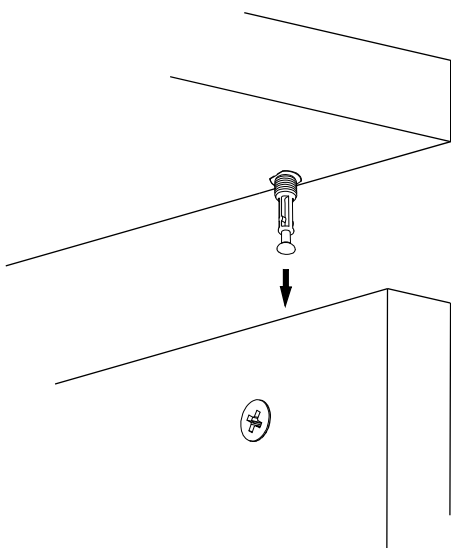
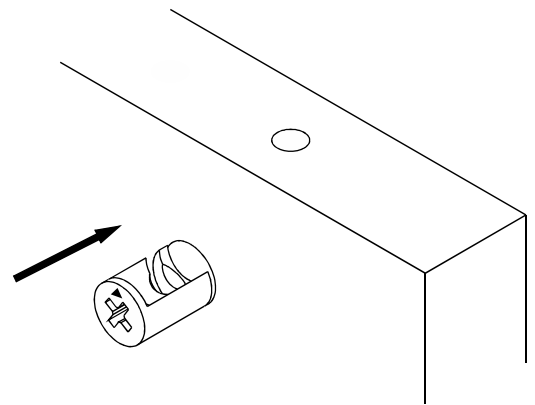
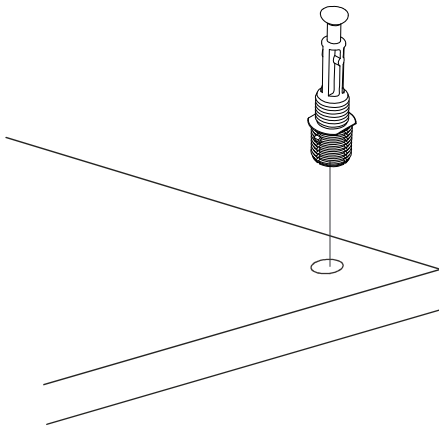
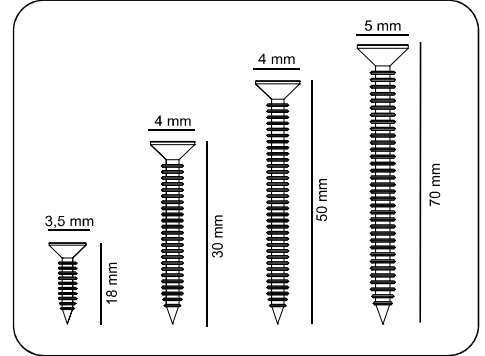
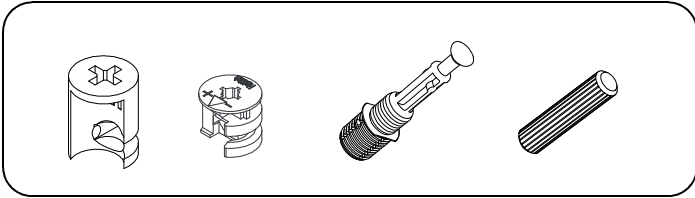


Do not use your furniture for out of purposes. If you would like to use it, please contact us for further questions.

Do not directly contact your furniture with excessive heat, cold and humidity because the product can be affected..

# ATTENTION !!

Minifix is the main connection material used in  products. Before starting assembly, please check the drawings below.



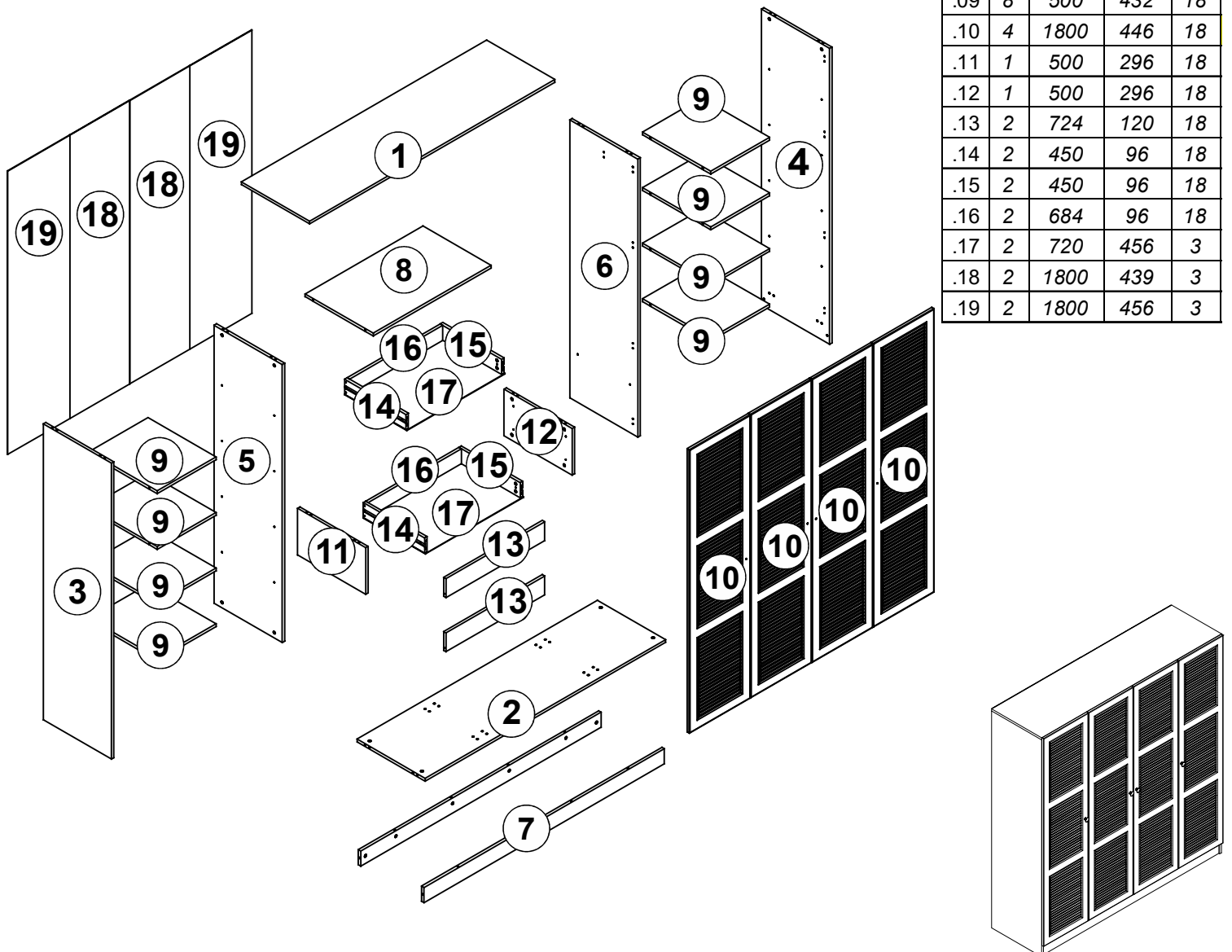
# ACCESSORY LIST

# MAJA 4 KAPAKLI DOLAP

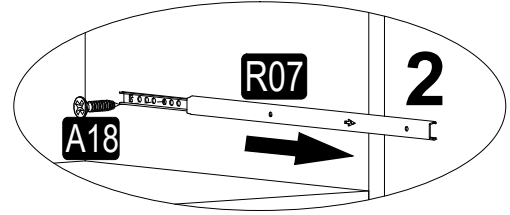
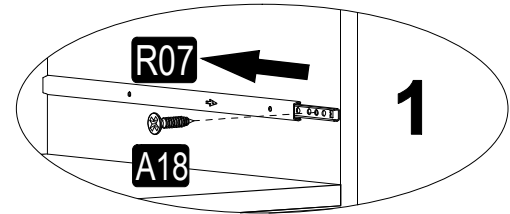
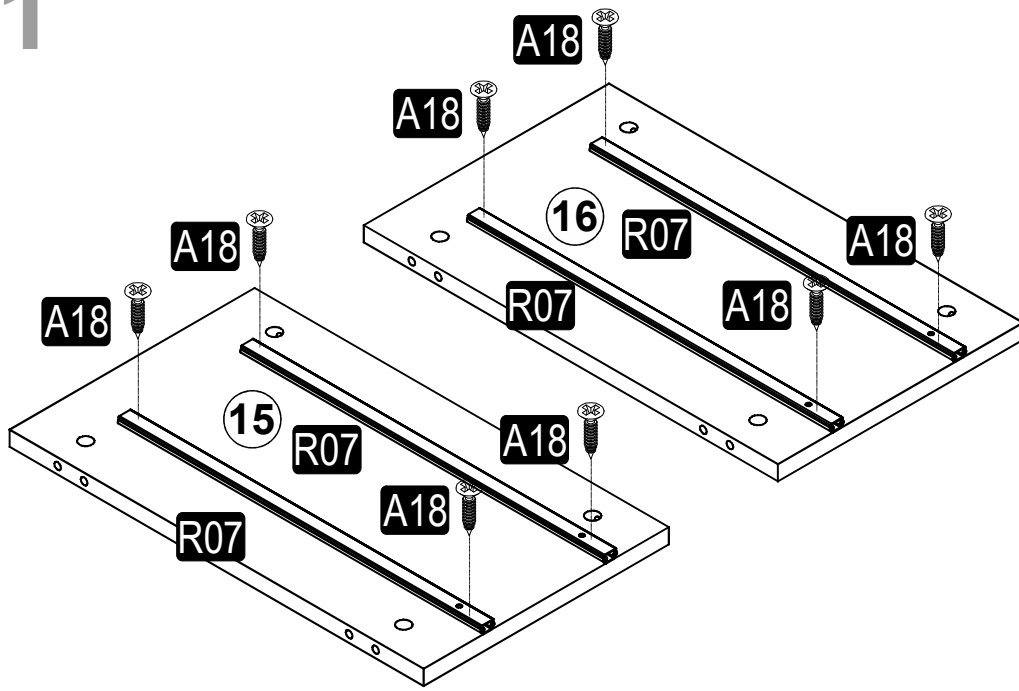
<b>A23</b> Minifix M8 8x34 44x	<b>A22</b> Minifix G18 15x14 44x	<b>A04</b> PLSTK KVLY 8x30 24x	<b>A18</b> YHB VD 3,5x18 76x	<b>A17</b> YHB VD 4x50 8x
<b>A94</b> YSB MVD 4x15 4x	<b>A49</b> YSB MVD 4x22 4x	<b>C01</b> DM 16x	<b>C04</b> D MA 16x	<b>K08</b> DKLP 4x
<b>R07</b> BLY RAY 17x438 2x	<b>V10</b> RFIX 20x14 36x	<b>V11</b> RFIX VD 5x13 36x	<b>A55</b> ASK BRS 854 mm 1x	<b>A24</b> ASK FLNS 2x
<b>A48</b> ARKLK CVS 98x	<b>A06</b> BYZ 18 mm 32x	<b>A64</b> H ARKLIK CTS 1764 mm 1x		

## GENERAL VIEW

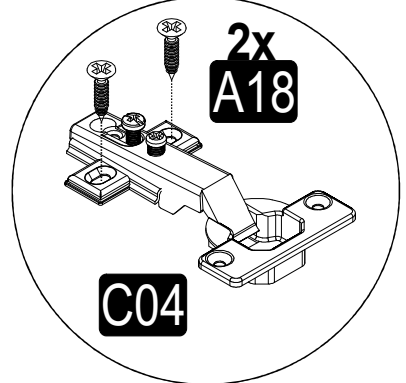
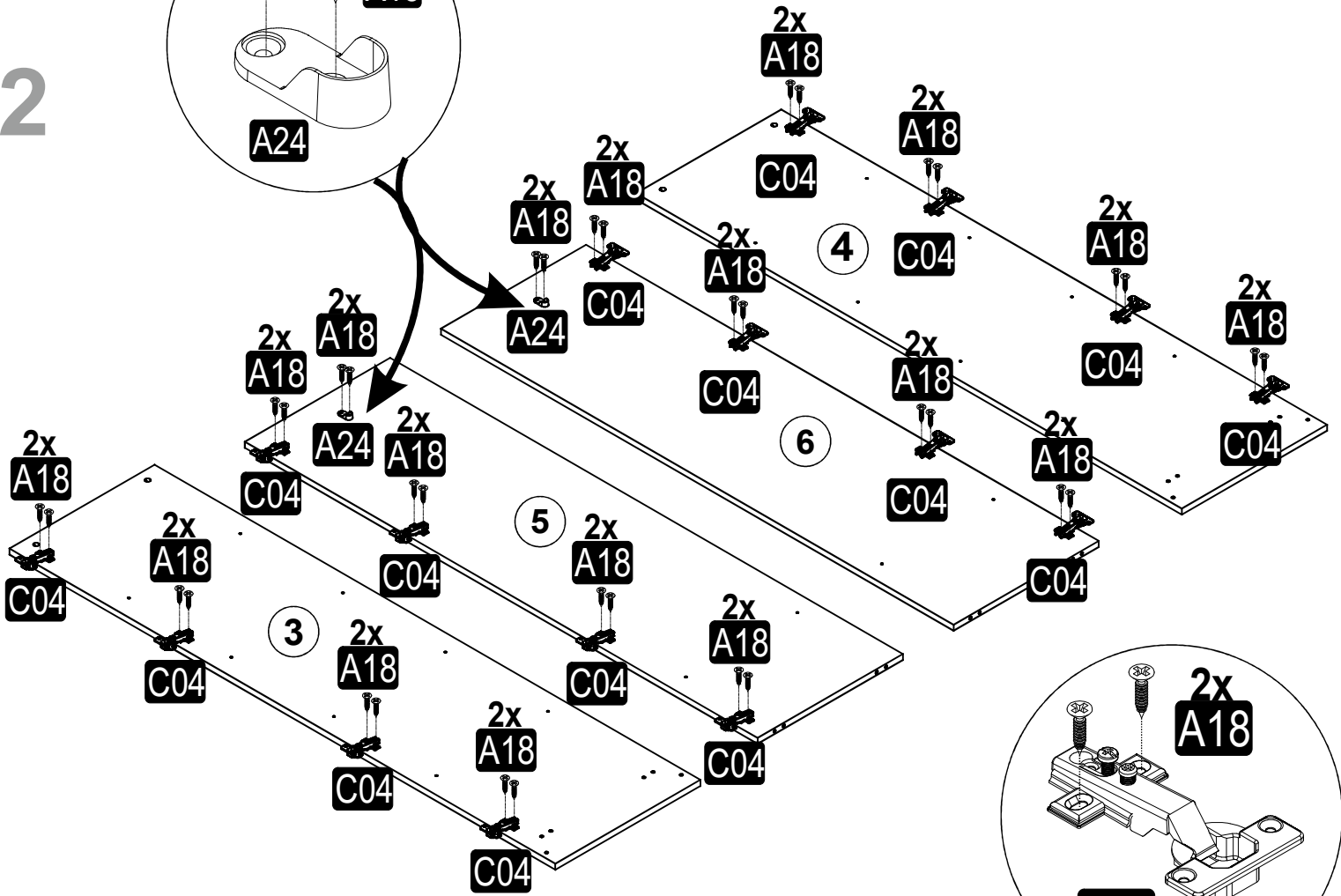
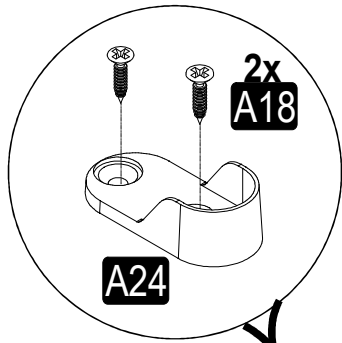
.01	1	1800	500	18
.02	1	1764	500	18
.03	1	1880	500	18
.04	1	1880	500	18
.05	1	1766	500	18
.06	1	1766	500	18
.07	2	1764	96	18
.08	1	864	500	18
.09	8	500	432	18
.10	4	1800	446	18
.11	1	500	296	18
.12	1	500	296	18
.13	2	724	120	18
.14	2	450	96	18
.15	2	450	96	18
.16	2	684	96	18
.17	2	720	456	3
.18	2	1800	439	3
.19	2	1800	456	3



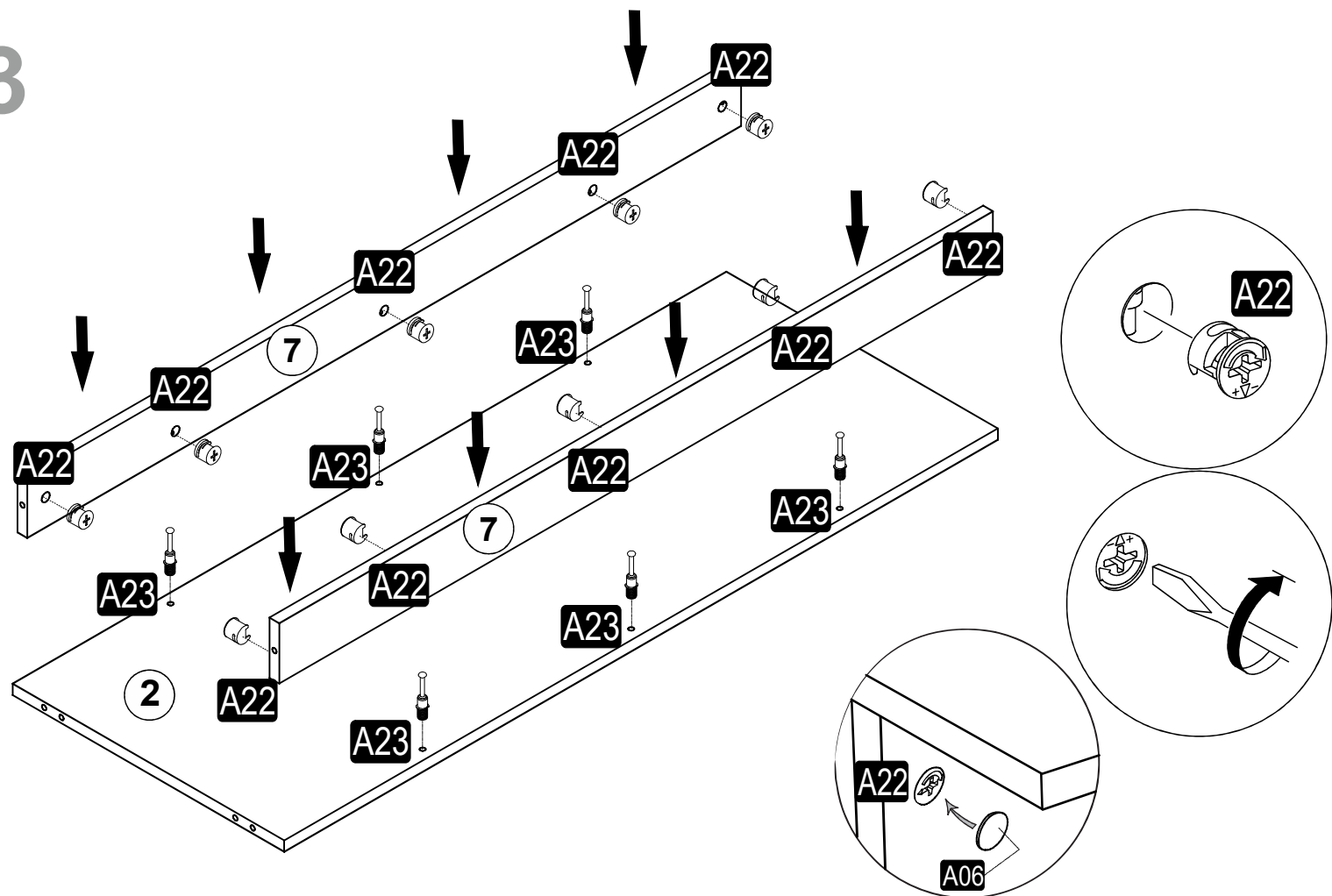
1



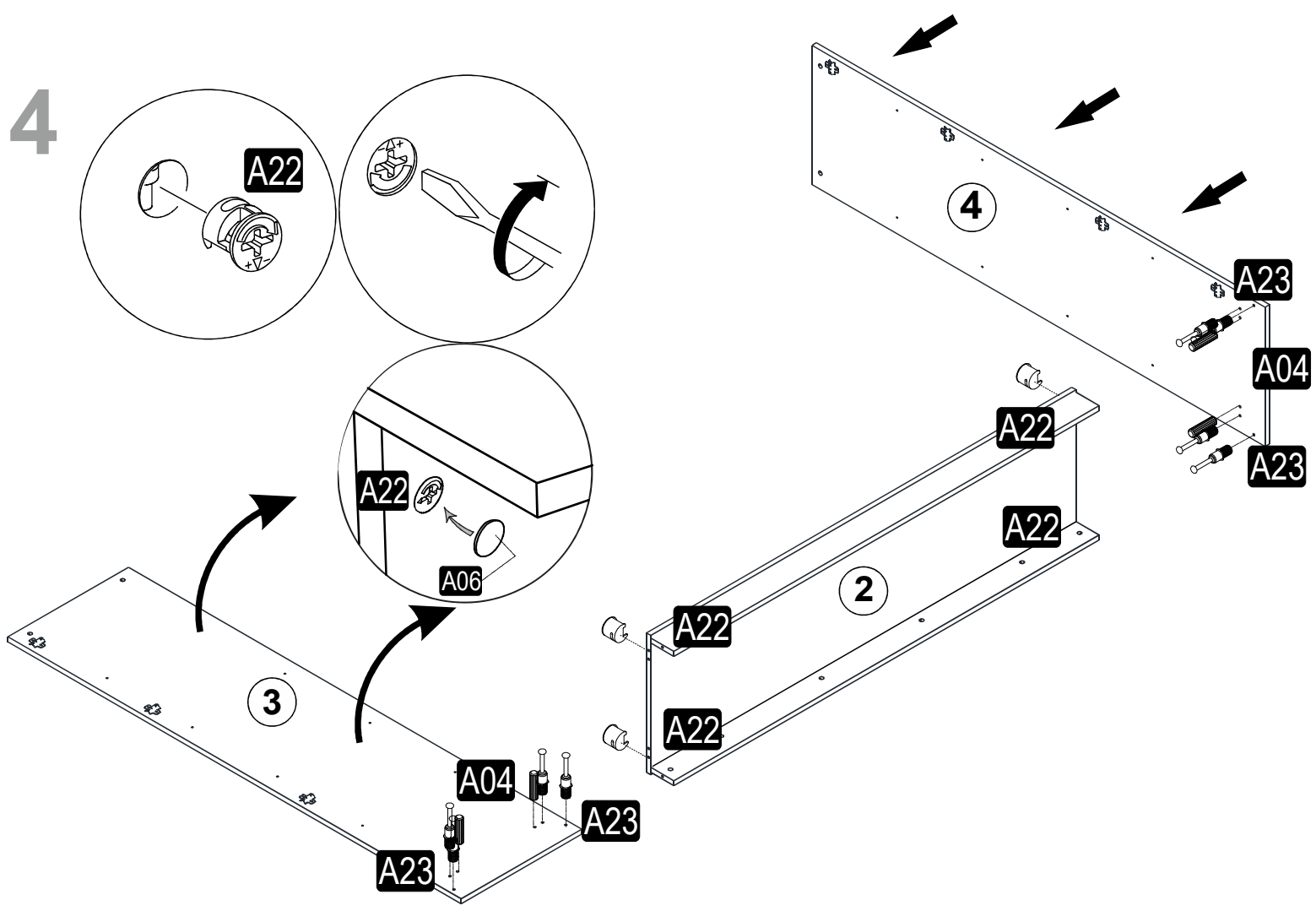
2



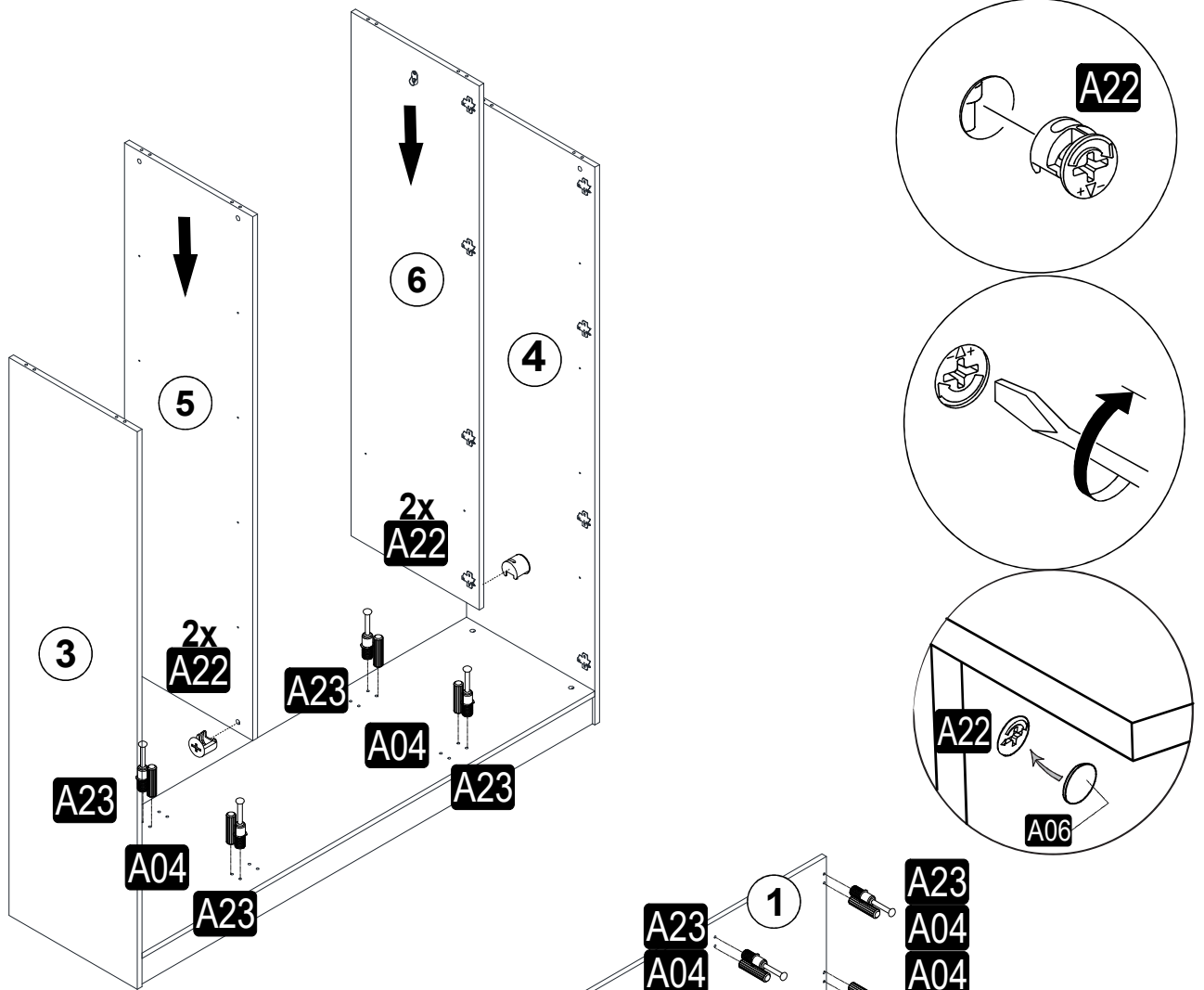
3



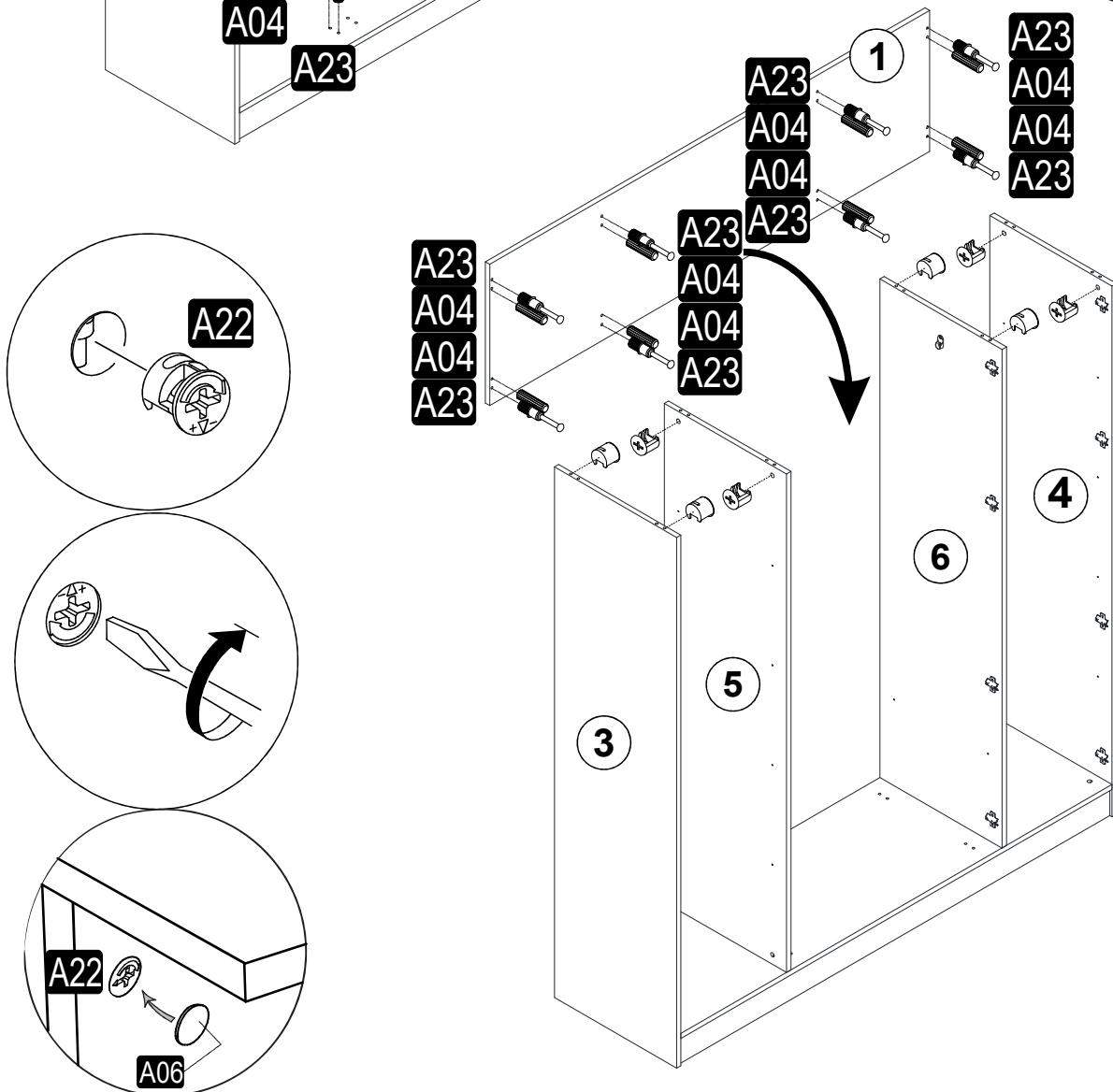
4



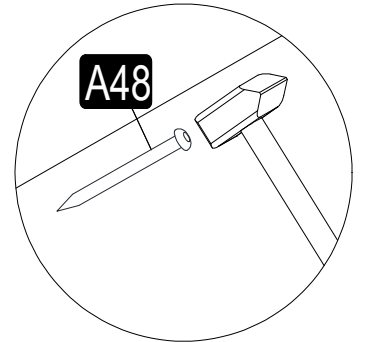
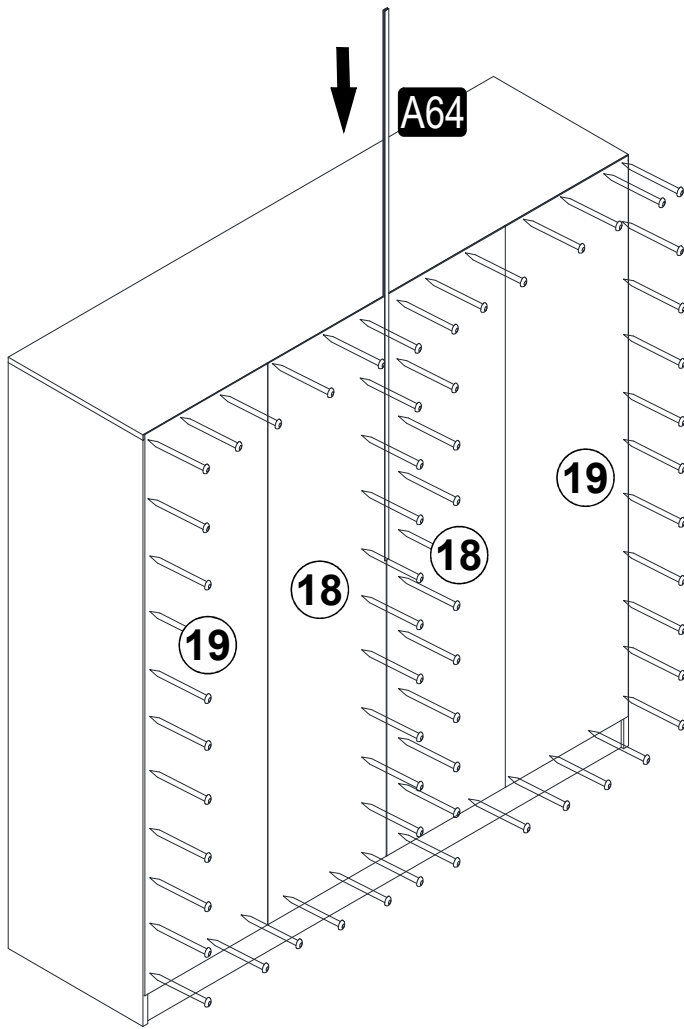
5



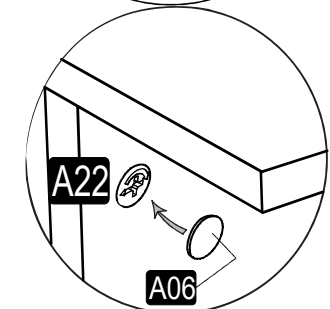
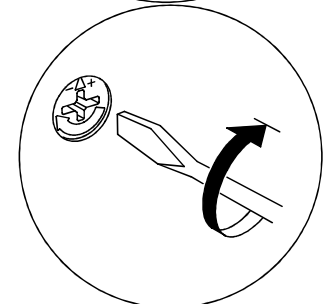
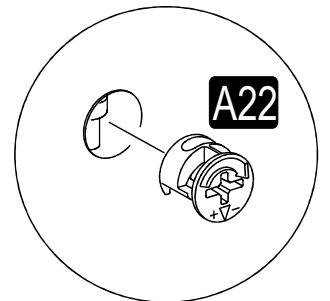
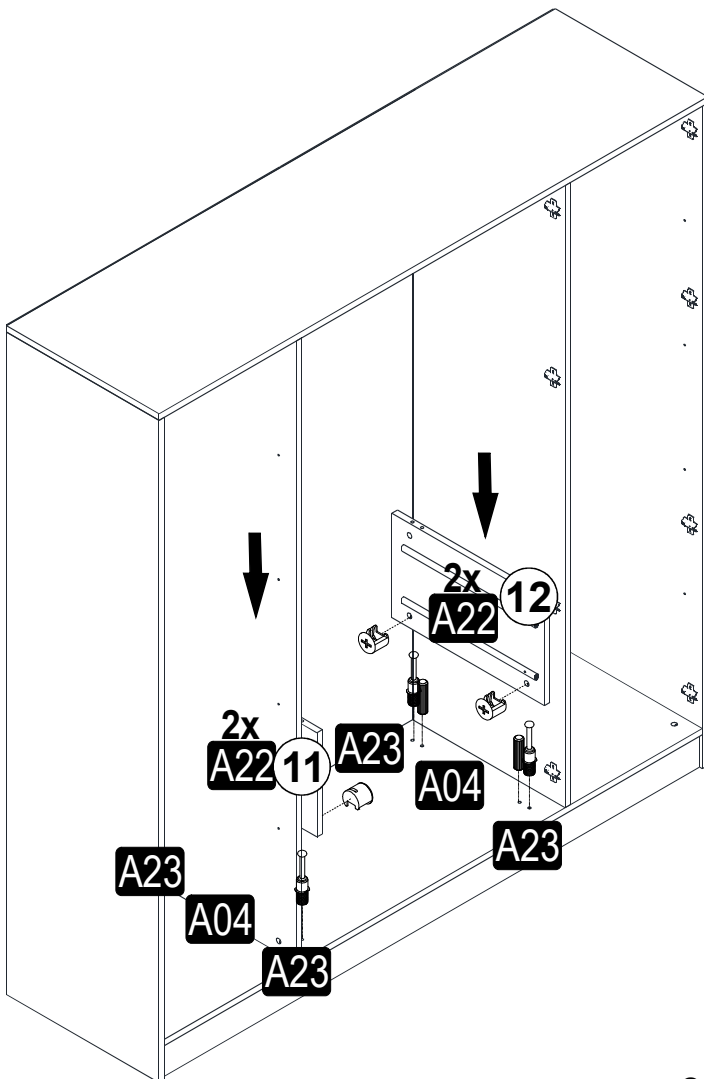
6



7

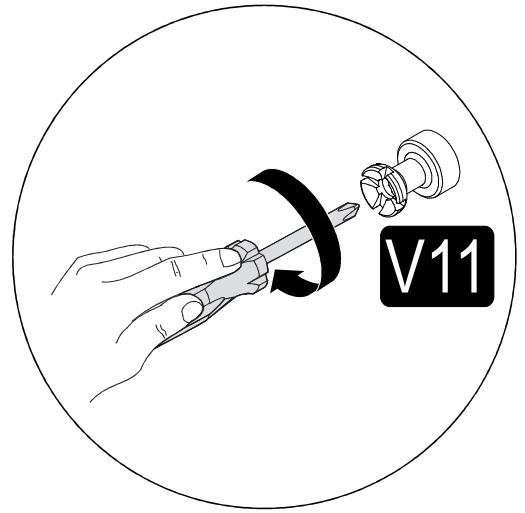
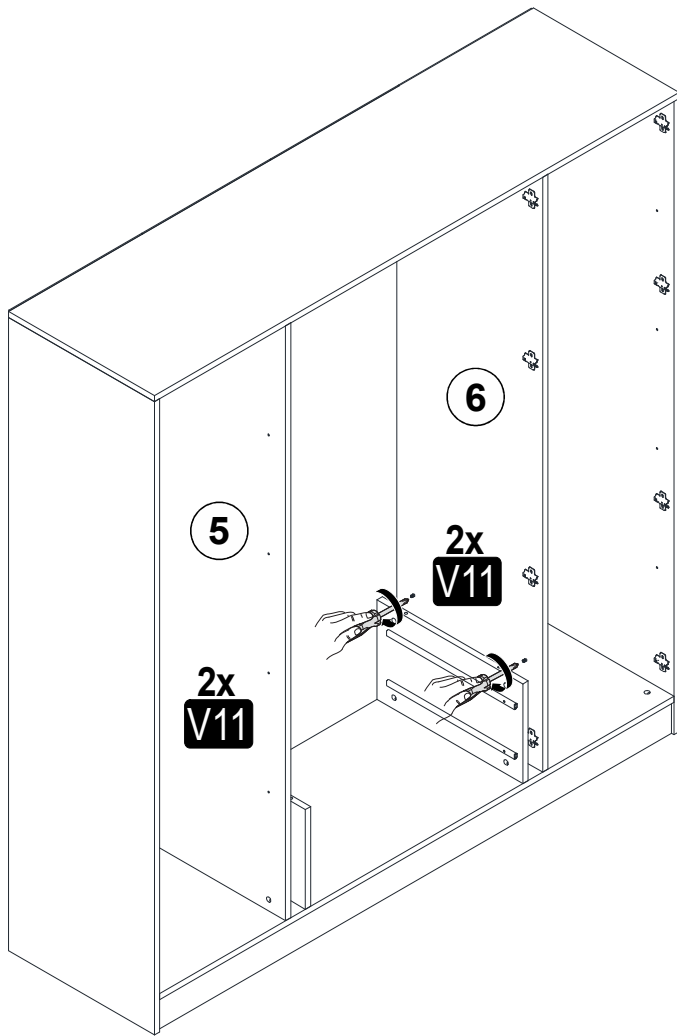


8

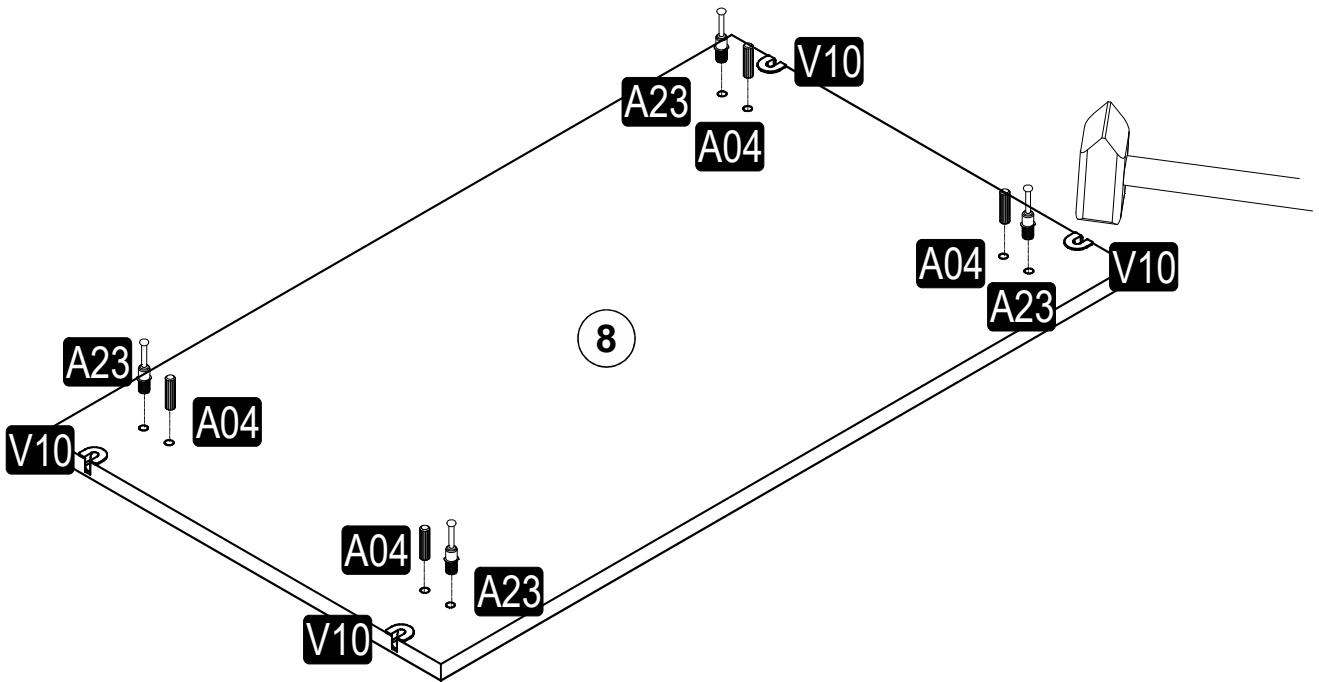




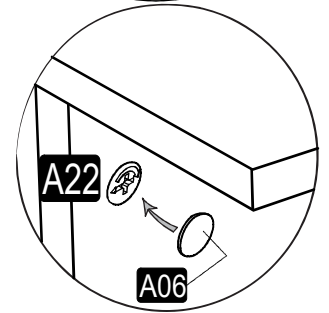
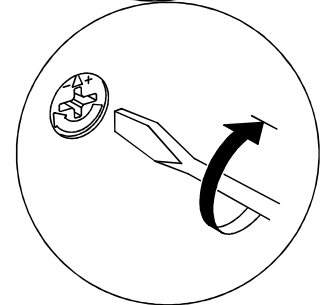
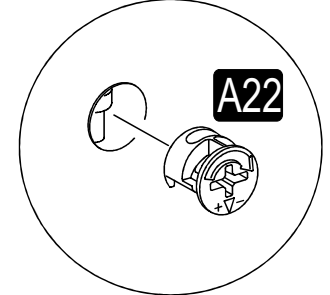
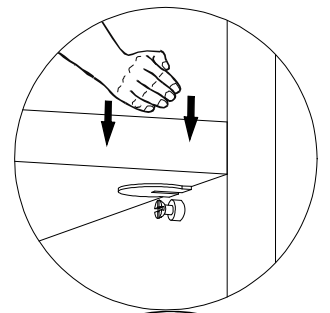
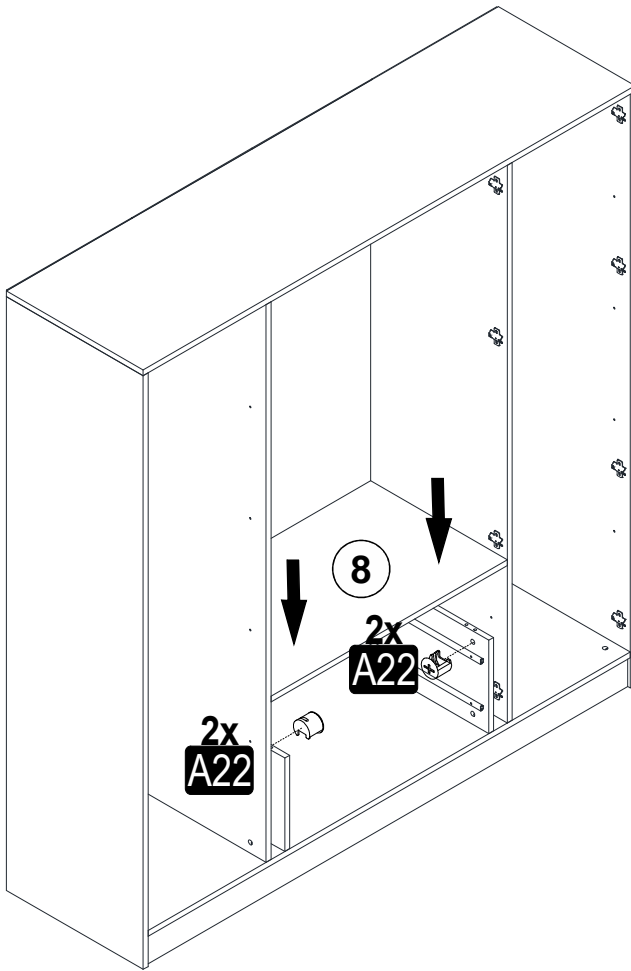
9



10

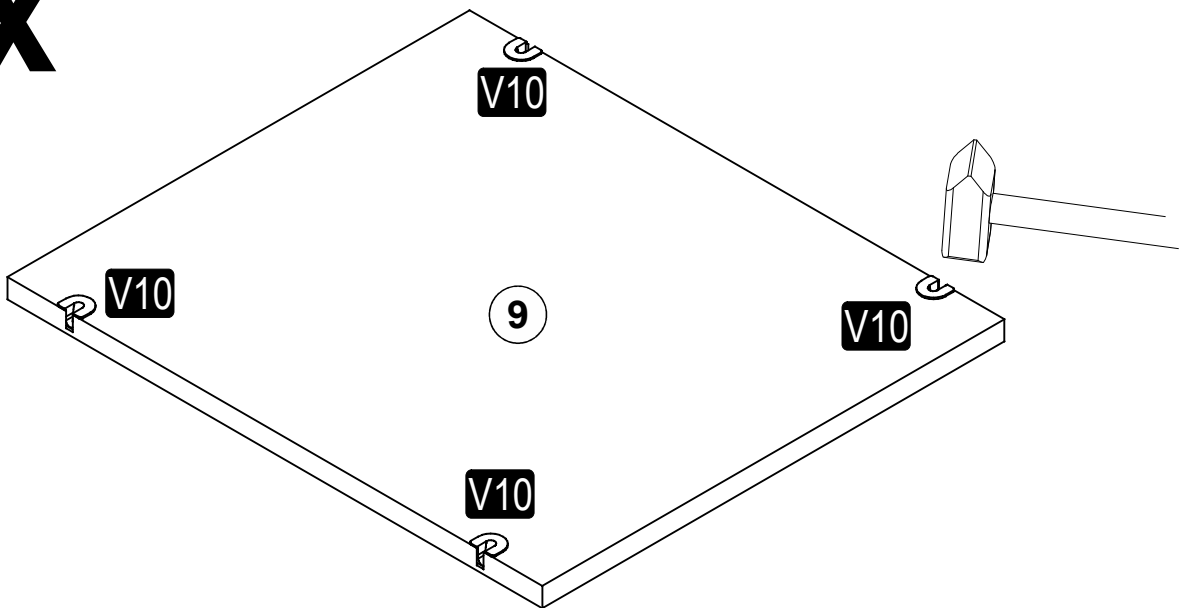


11

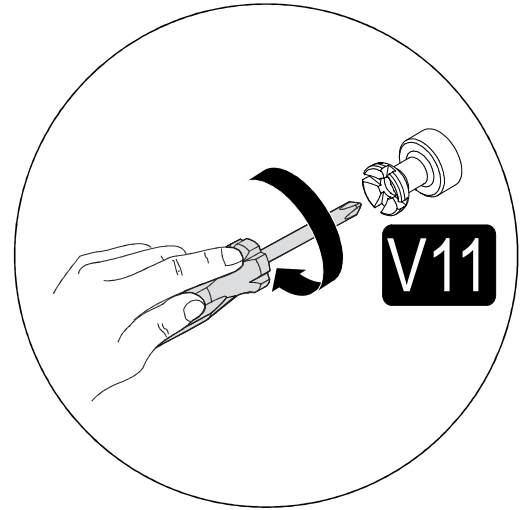
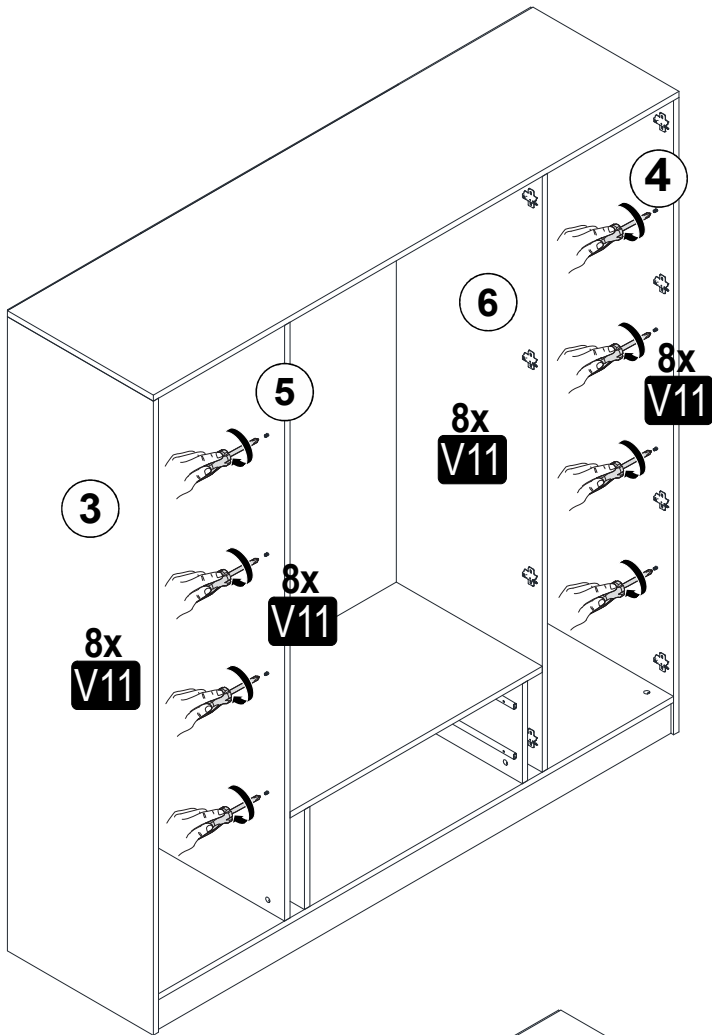


12

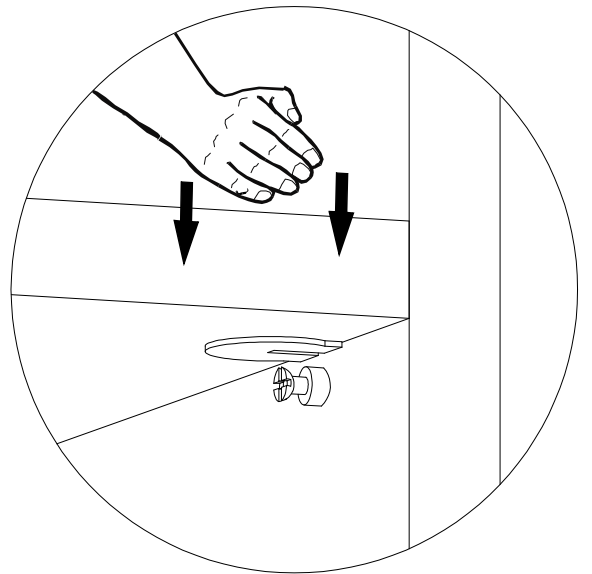
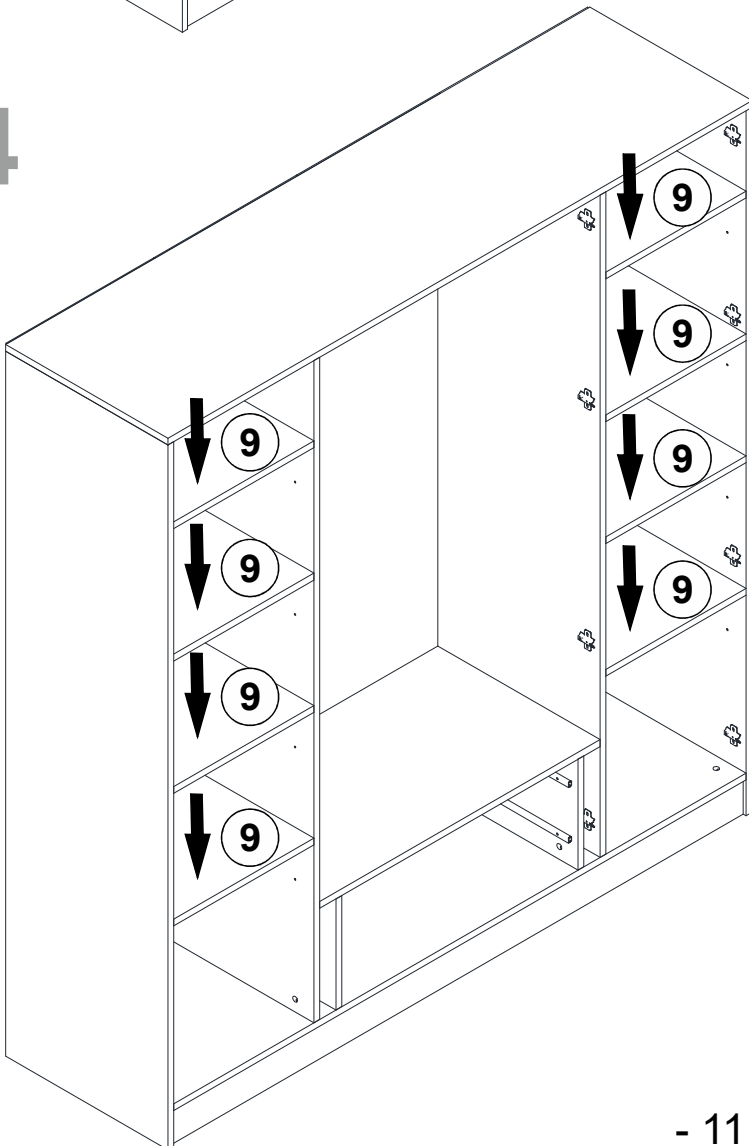
8x



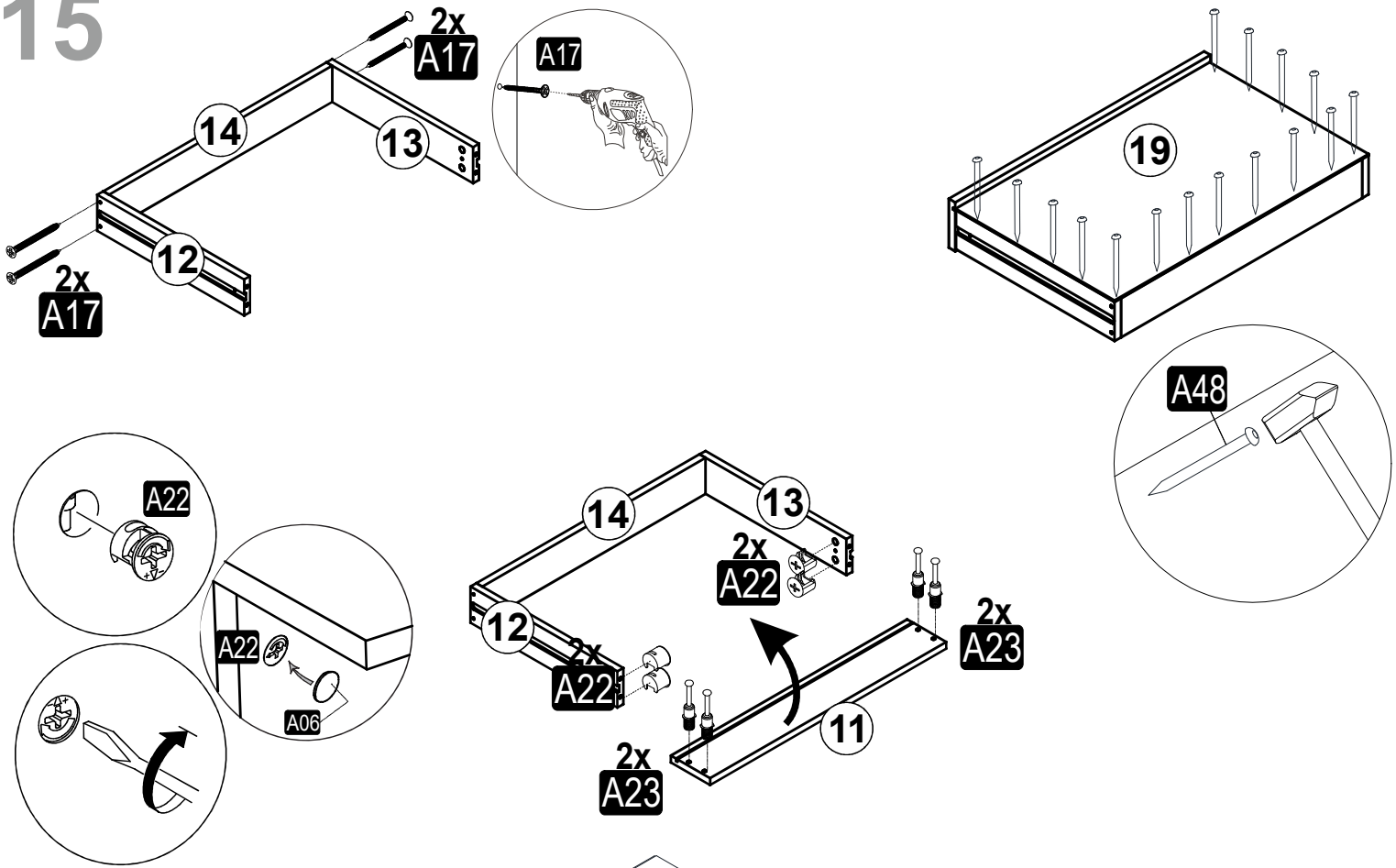
# 13



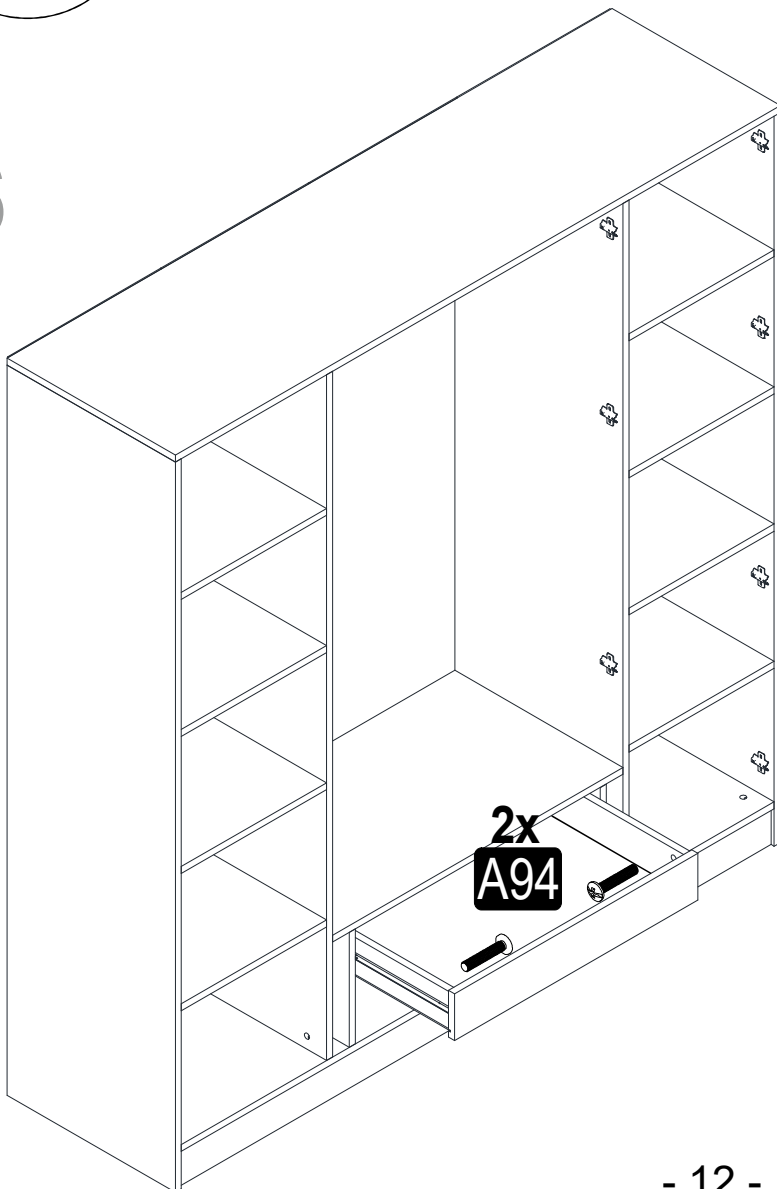
# 14



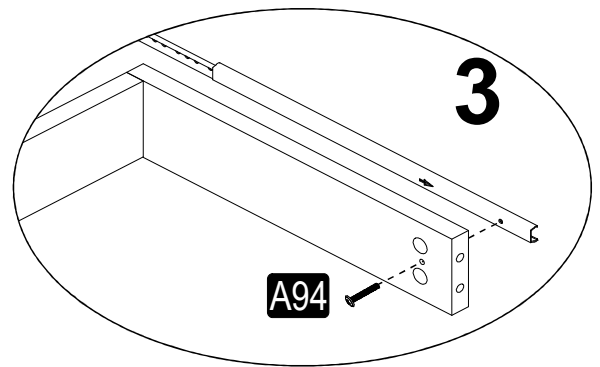
# 15



# 16

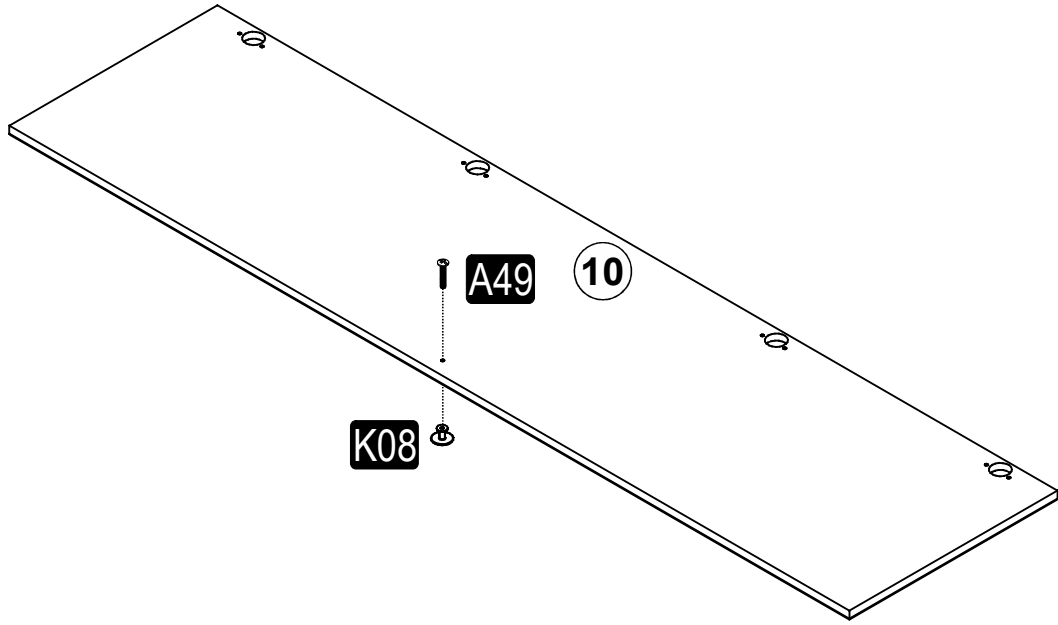


# 2x

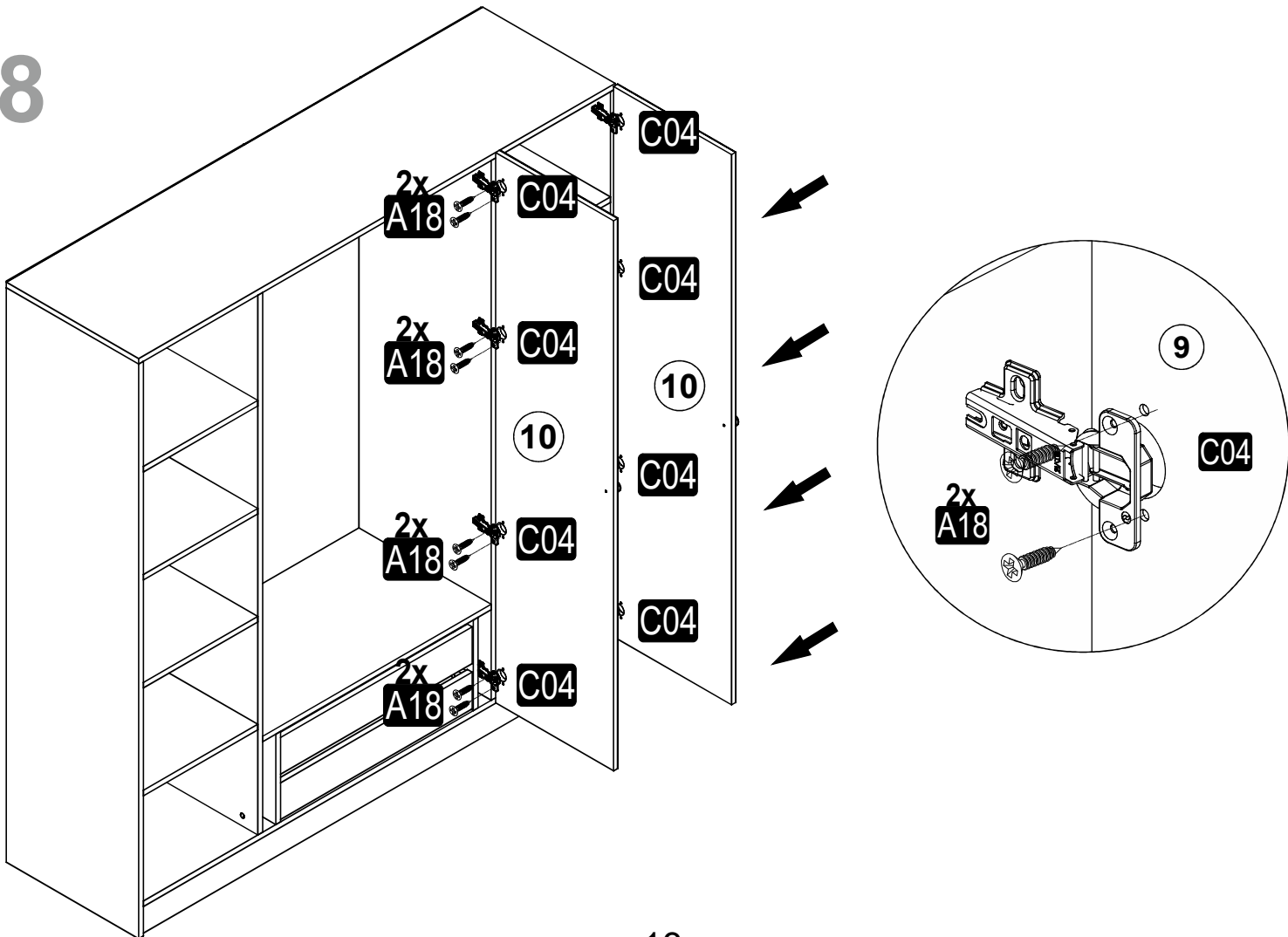


17

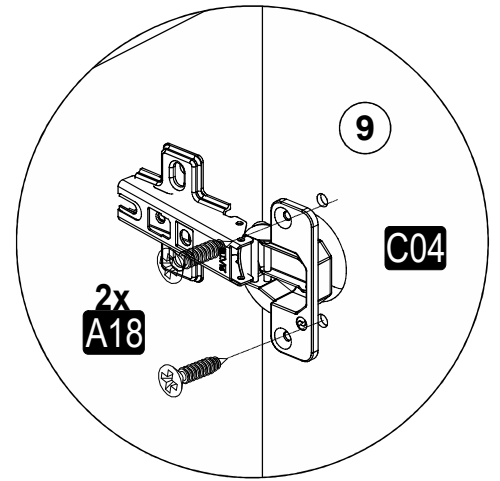
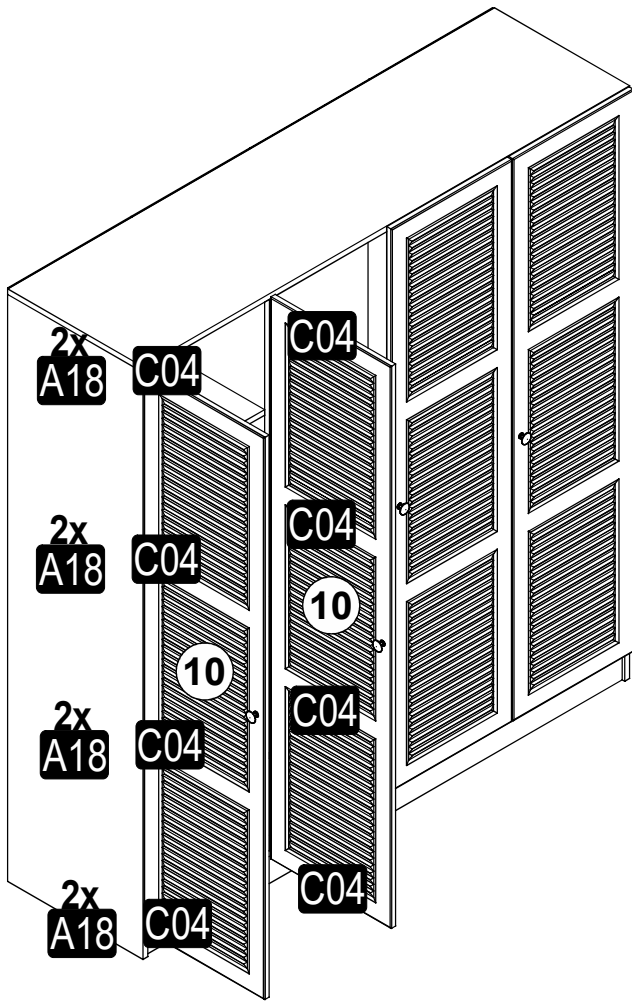
4x



18



# 19



# 20

