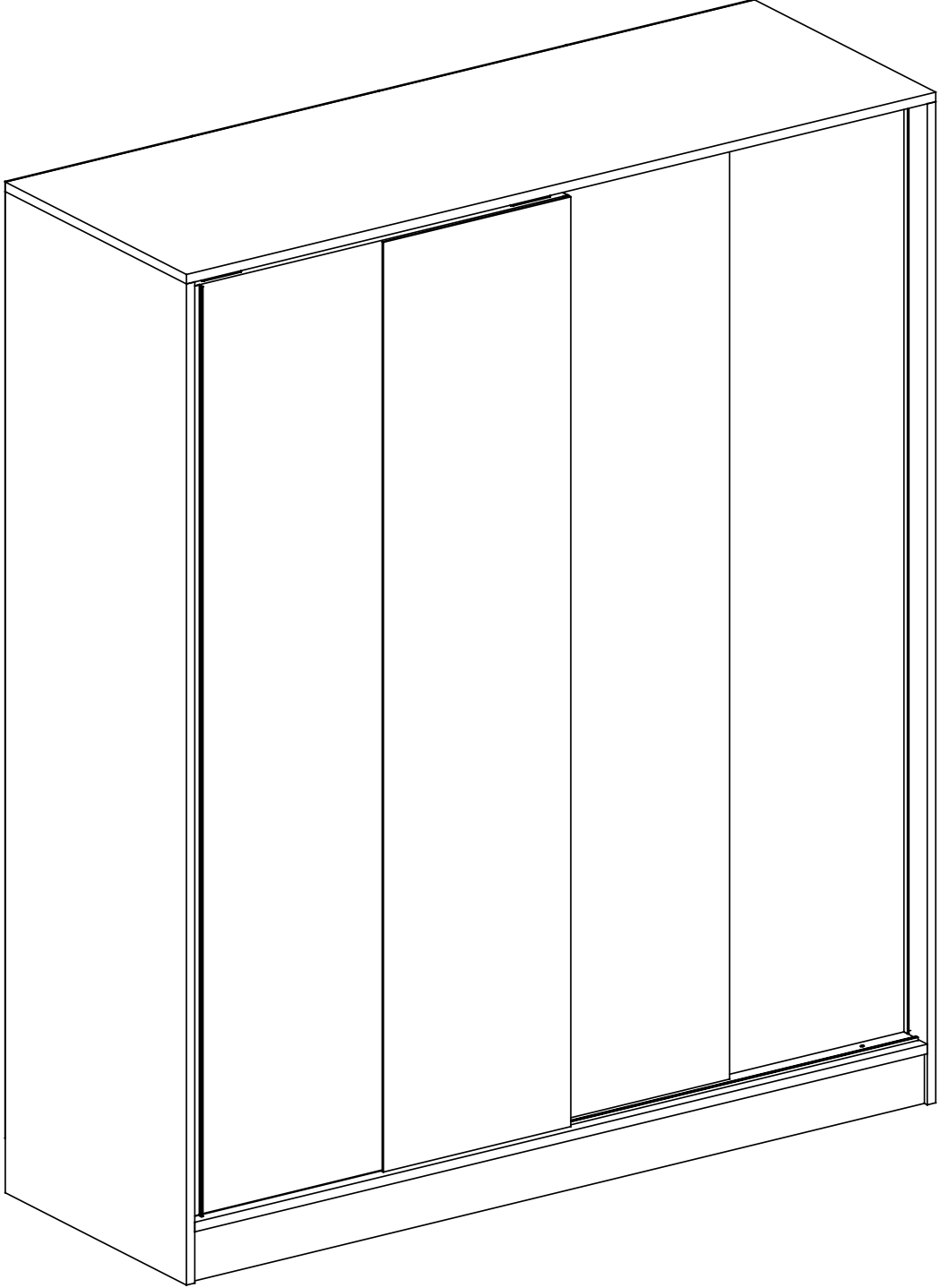


KOÇTAŞ

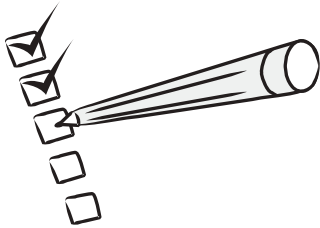
2K SRGL DLP



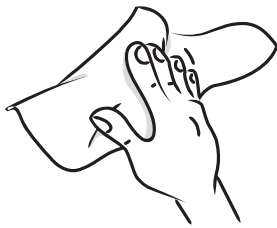
Dear Customer,

We design and produce our products for people to love and have fun with them as we do.

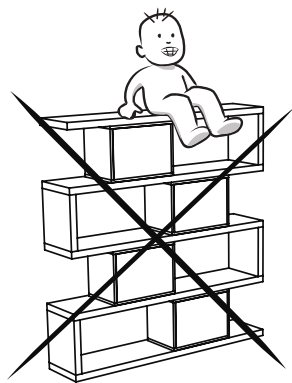
The product you bought was subjected to all sorts of tests and control before sending out to you.



Before start assembling, please check the whole components and accessories according to the lists. If you bought more than one product, to prevent confusion be sure that you completed the first product. Then start the other product's assembling.



Before start assembling, please clean all the components with a damp cloth. Also for usual cleaning, this will be enough.

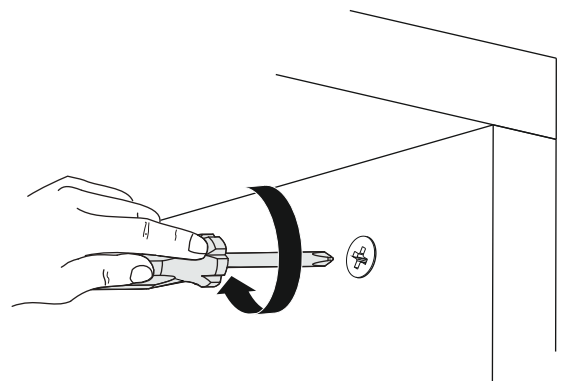
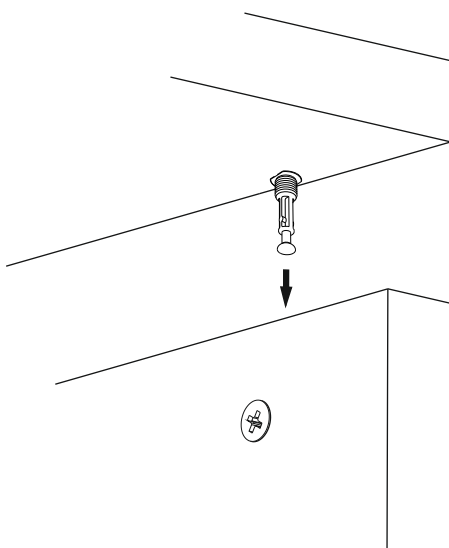
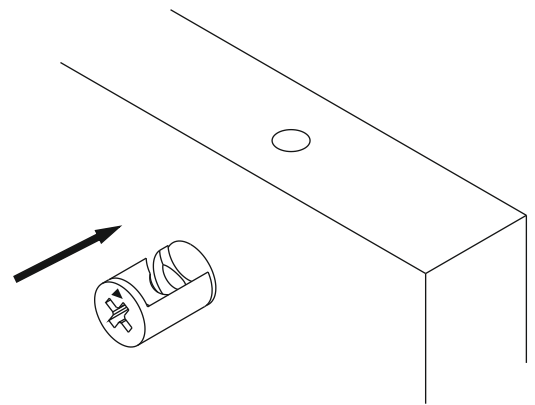
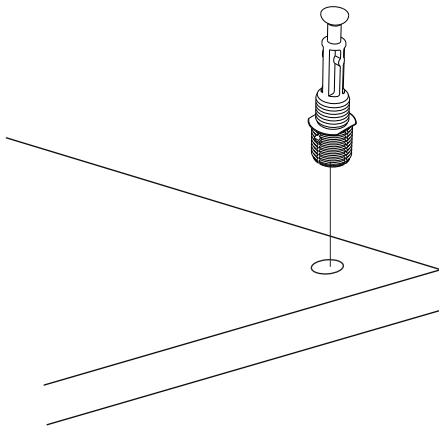
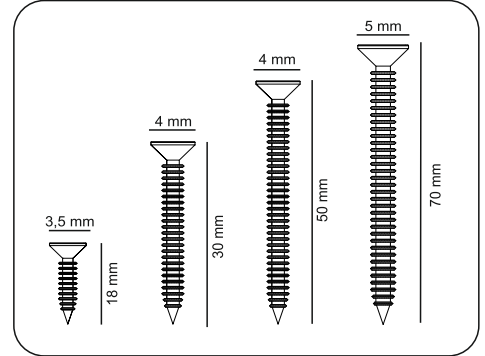
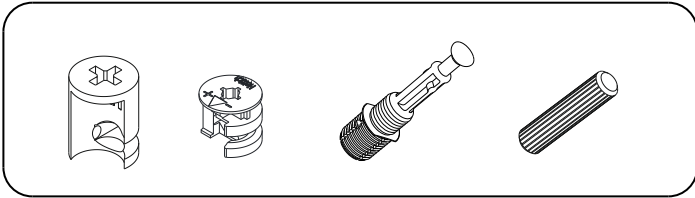


Do not use your furniture for out of purposes. If you would like to use it, please contact us for further questions.

Do not directly contact your furniture with excessive heat, cold and humidity because the product can be affected..

ATTENTION !!

Minifix is the main connection material used in products. Before starting assembly, please check the drawings below.

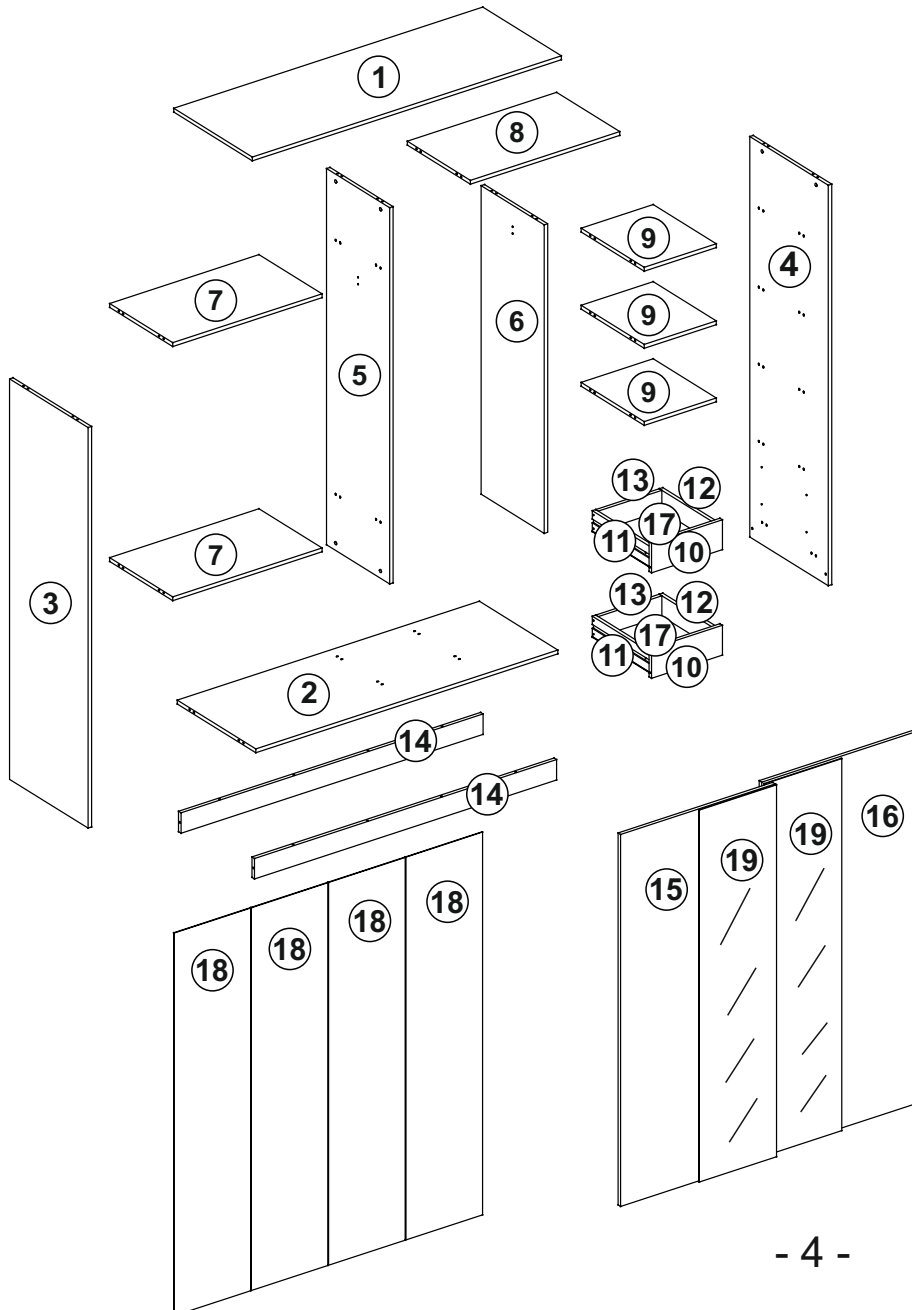


ACCESSORY LIST

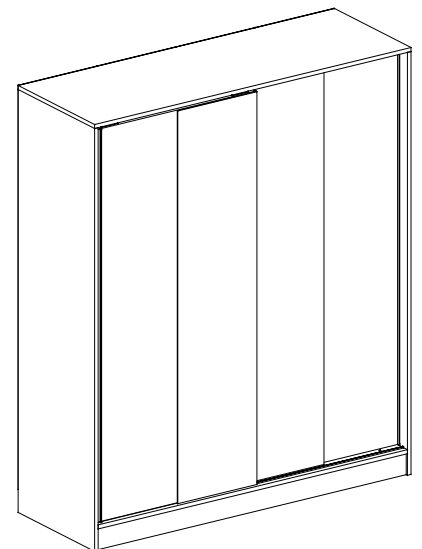
2K SRGL DLP

A23 Minifix M8 8x34 56x	A22 Minifix G18 15x14 60x	A04 KVLV 8x30 40x	A17 4x50 8x	A18 3,5x18 56x
A14 U Minifix 8x86 2x	R06 BLY RAY 17x406 2x	A55 AB 763 mm 1x	V30 MTRK VD 4x15 4x	A56 STKR 8x
A24 FLNS 4x	V45 BY KLP SYH 1746 mm 2x	A55 AB 372 mm 1x	V46 BY KPM SYH 1746 mm 2x	A75 ALM SRG RAY SYH 1560 mm 2x
A06 BYZ 18 mm 50x	A64 H ARKLLK CTS 298 mm 1x	A64 H ARKLLK CTS 1764 mm 1x	A48 ARKLLK CVS 80x	

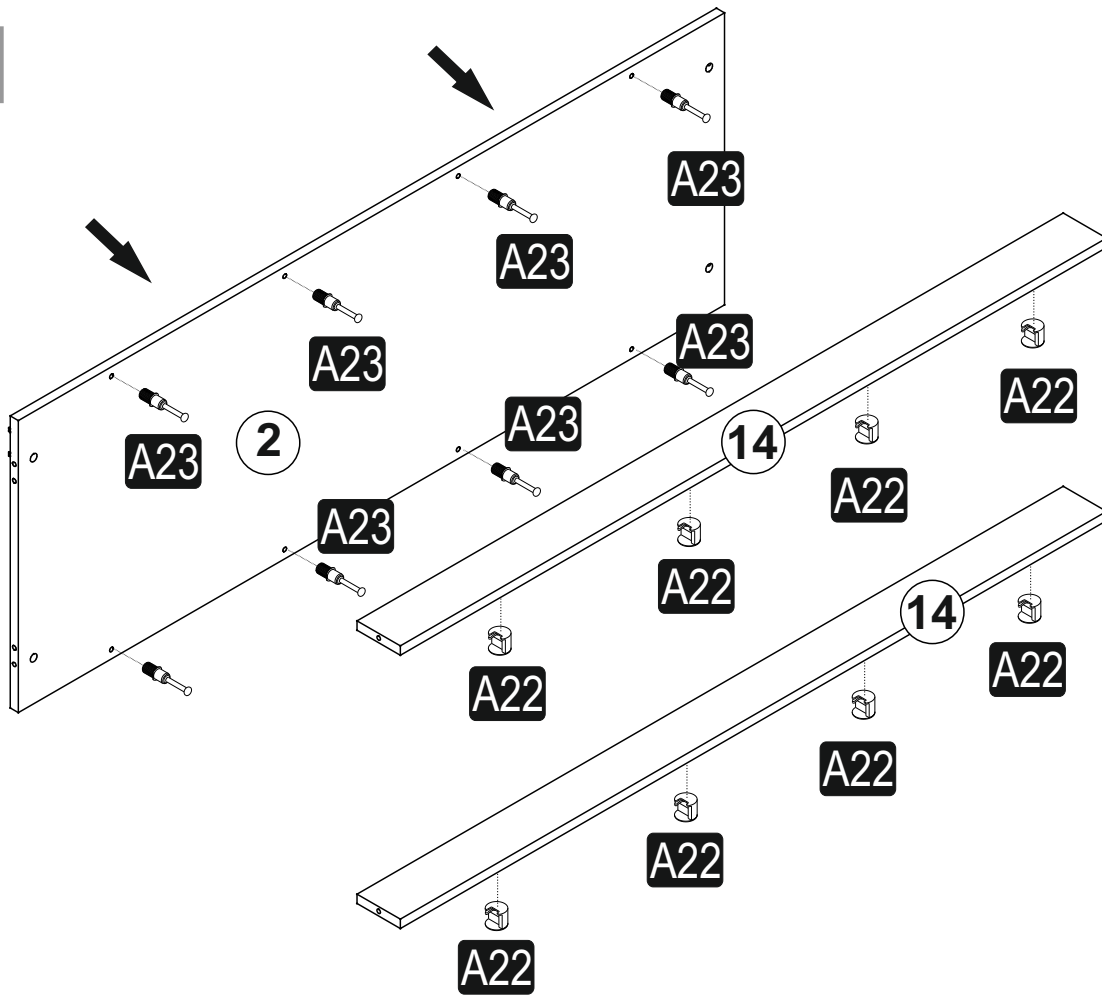
GENERAL VIEW



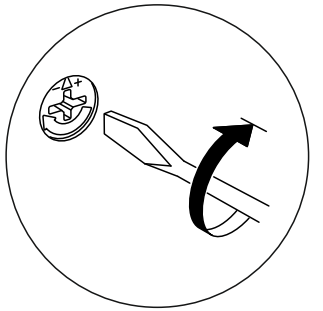
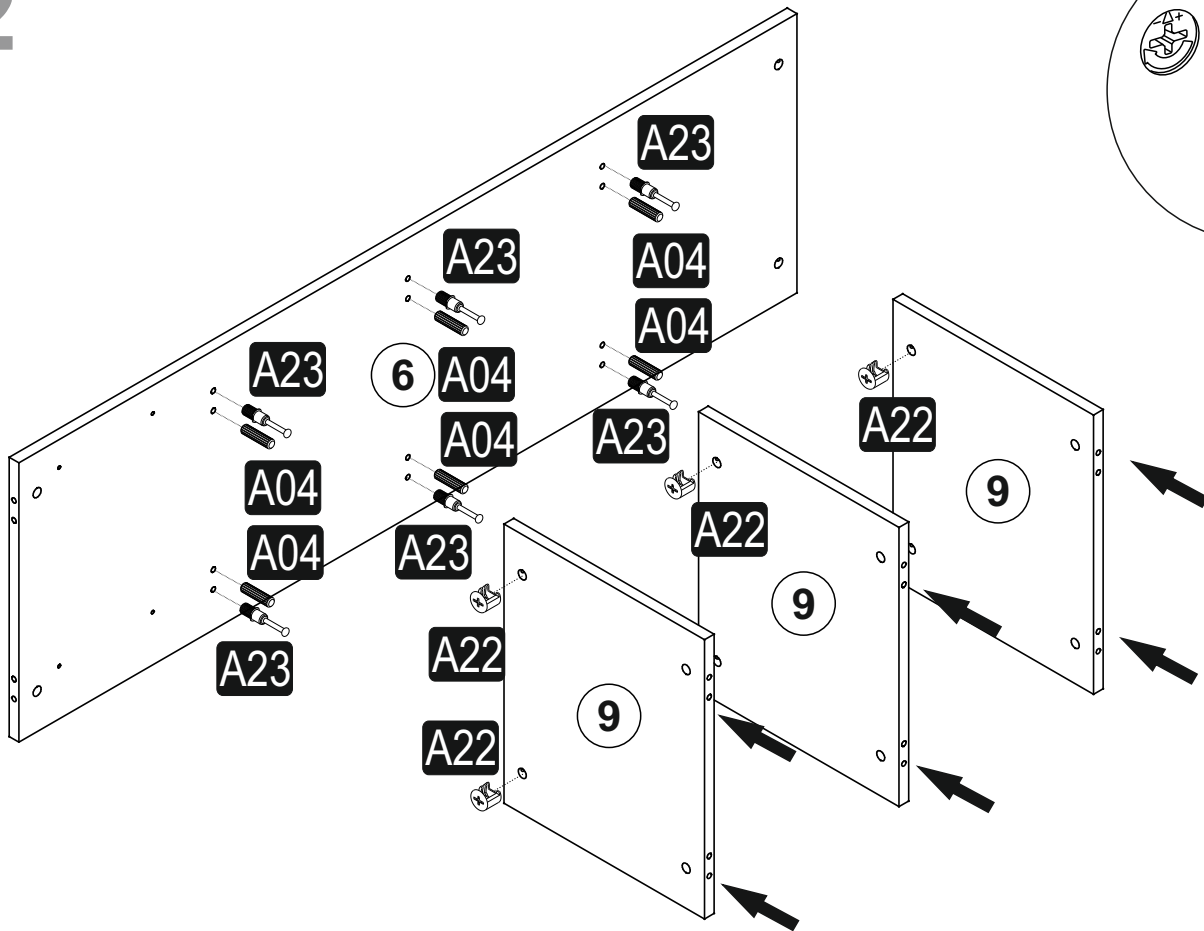
.01	1	1600	560	18
.02	1	1564	560	18
.03	1	1880	560	18
.04	1	1880	560	18
.05	1	1766	450	18
.06	1	1448	450	18
.07	2	773	450	18
.08	1	773	450	18
.09	3	373	450	18
.10	2	367	140	18
.11	2	406	96	18
.12	2	406	96	18
.13	2	329	96	18
.14	2	1564	96	18
.15	1	1746	800	18
.16	1	1746	800	18
.17	2	412	365	3
.18	4	1797	397	3
.19	2	1746	400	4



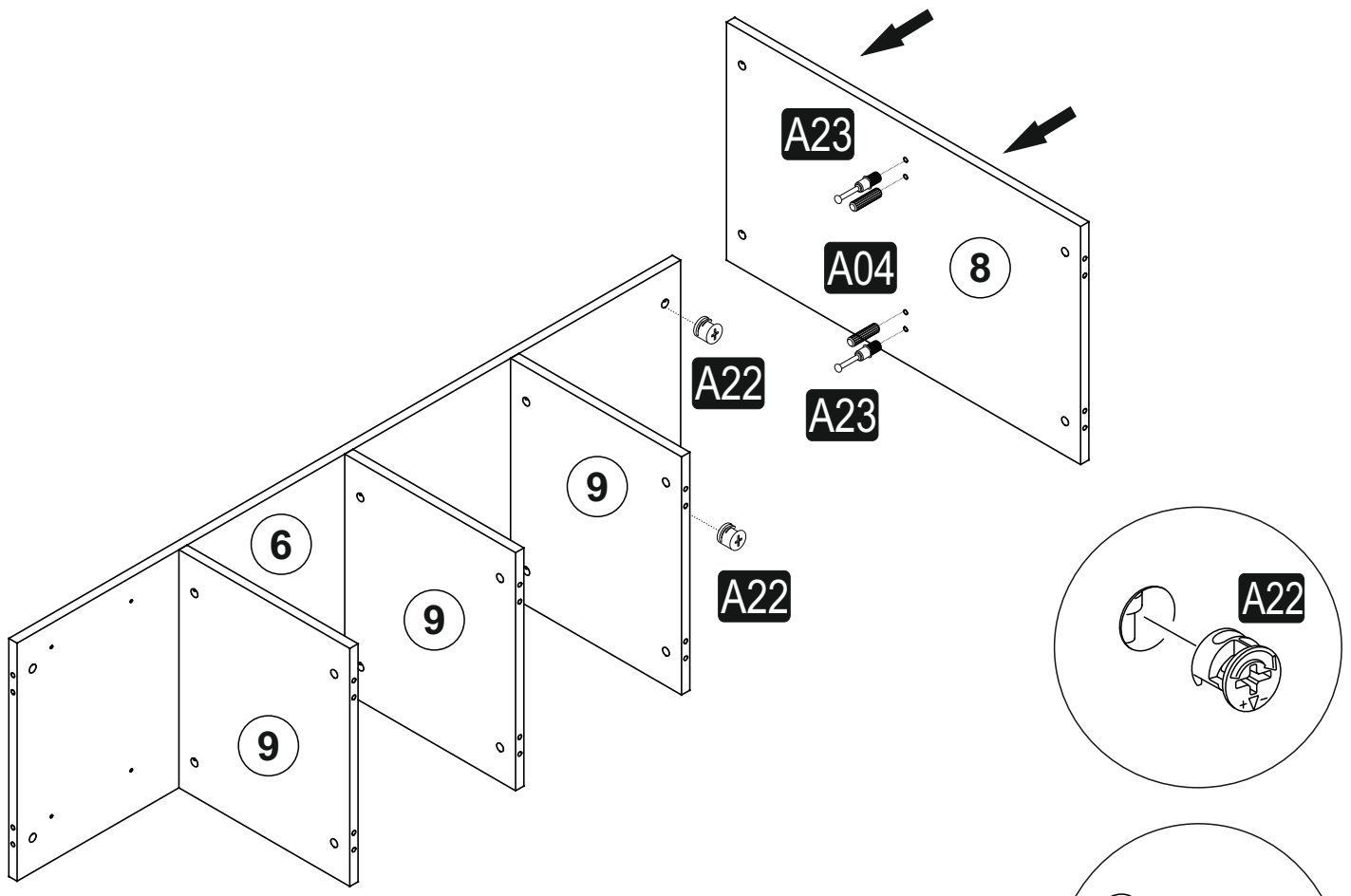
1



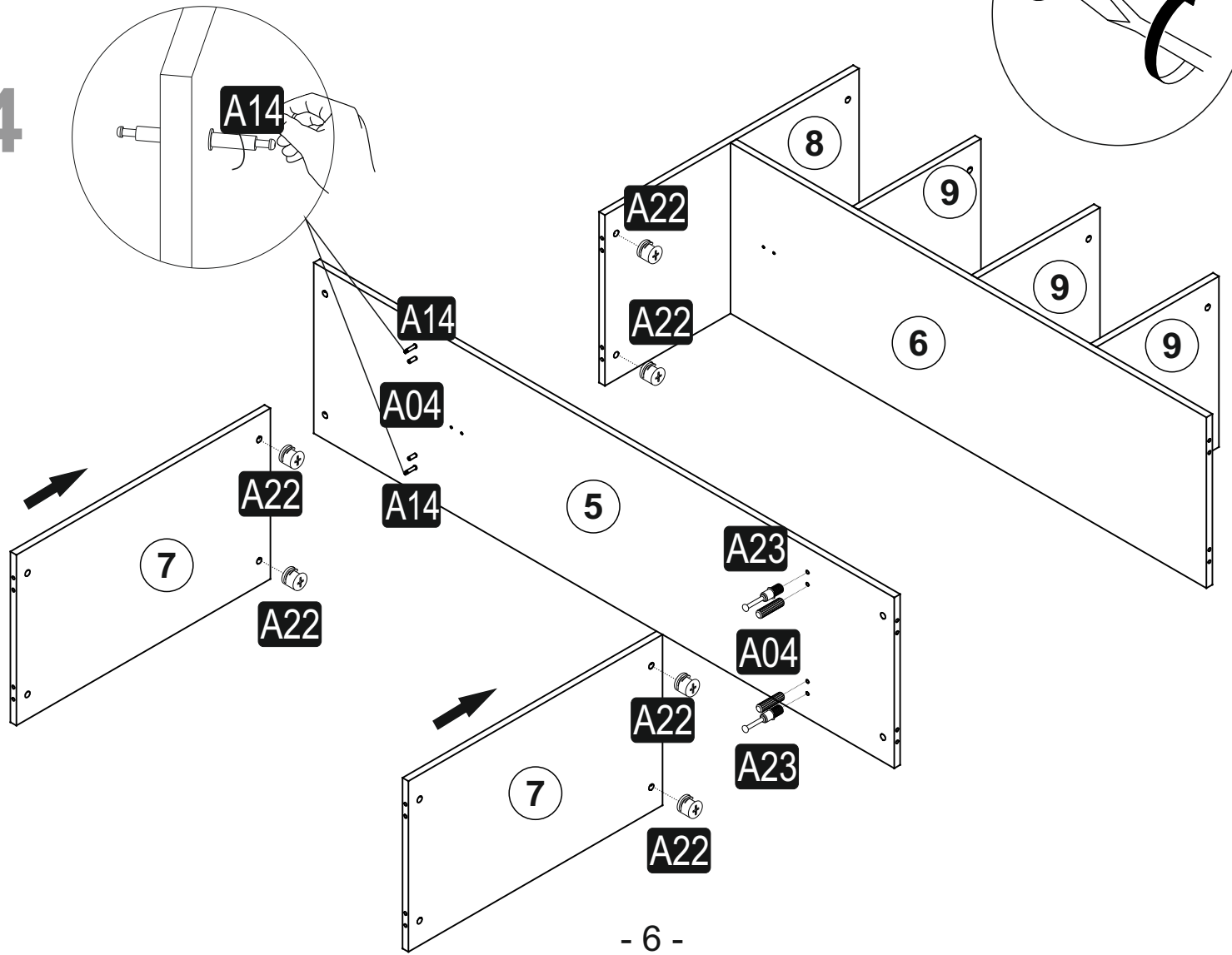
2



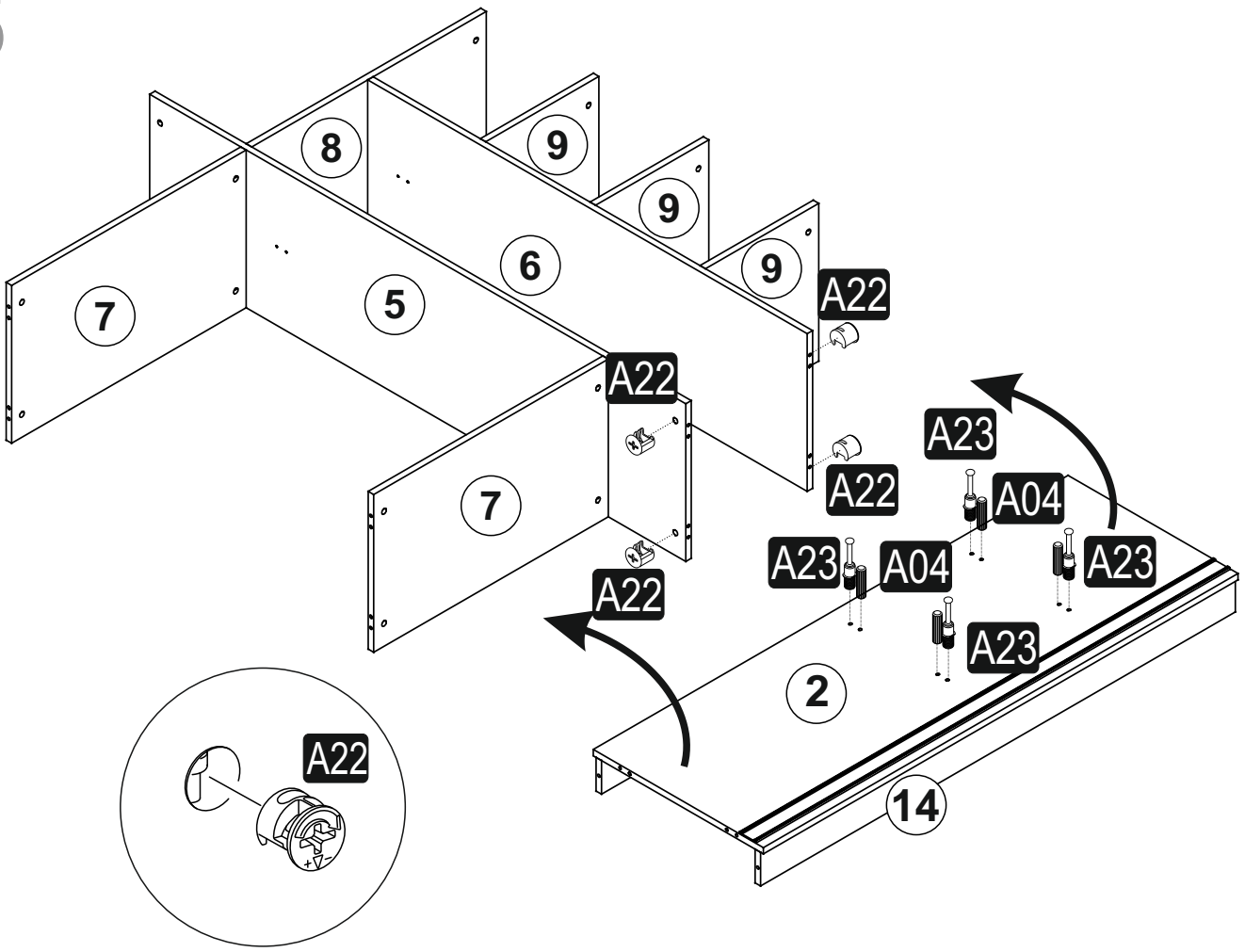
3



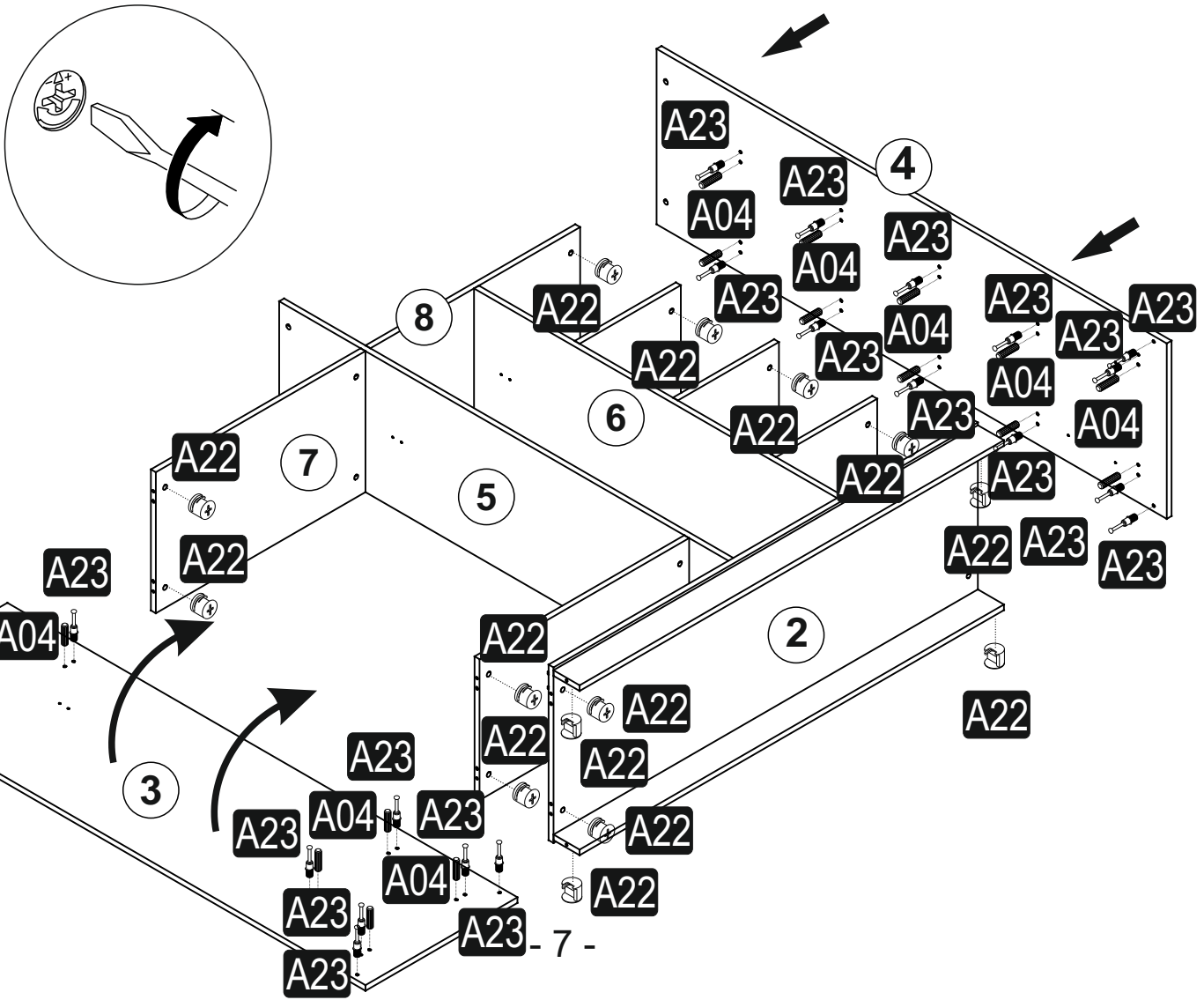
4



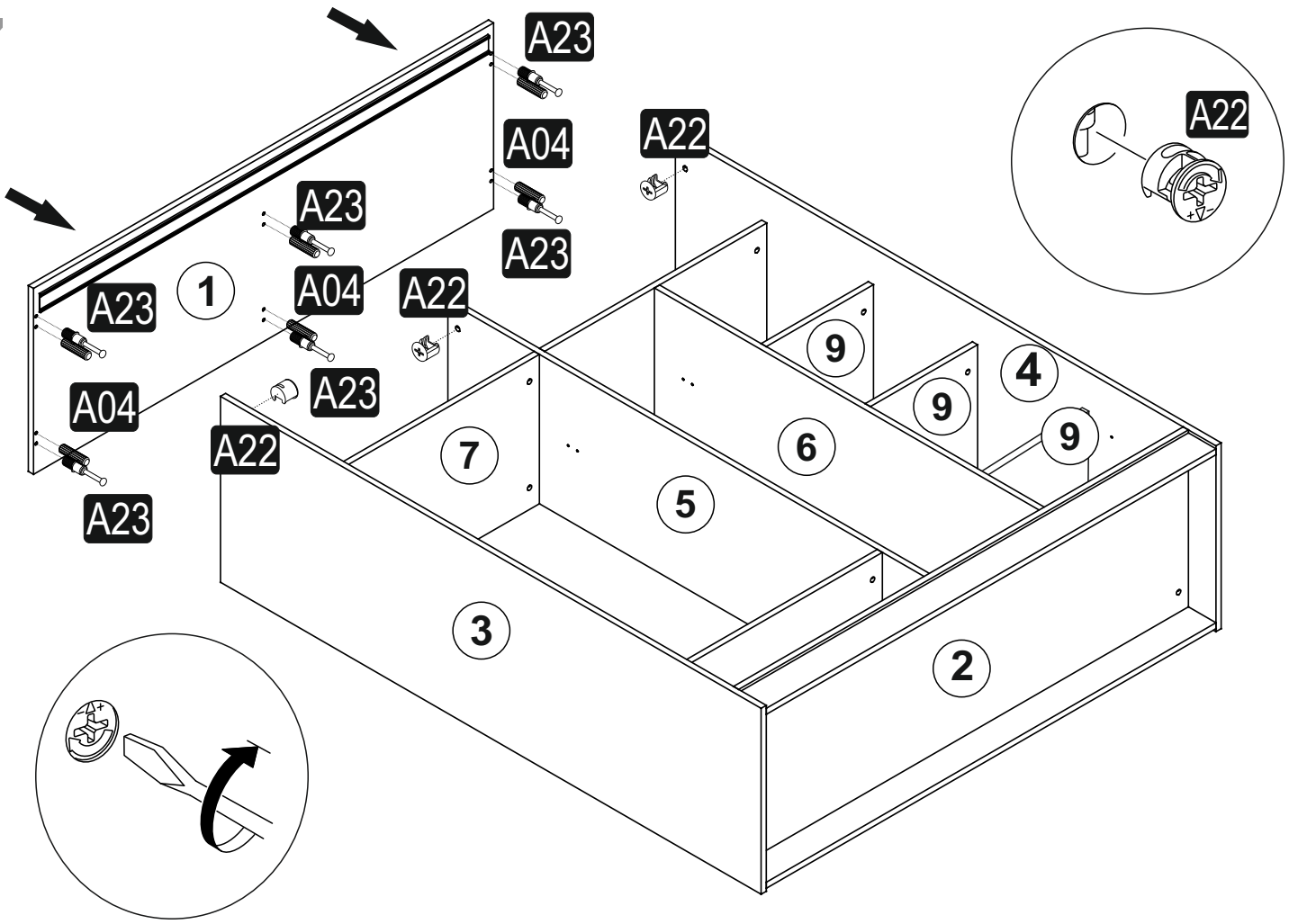
5



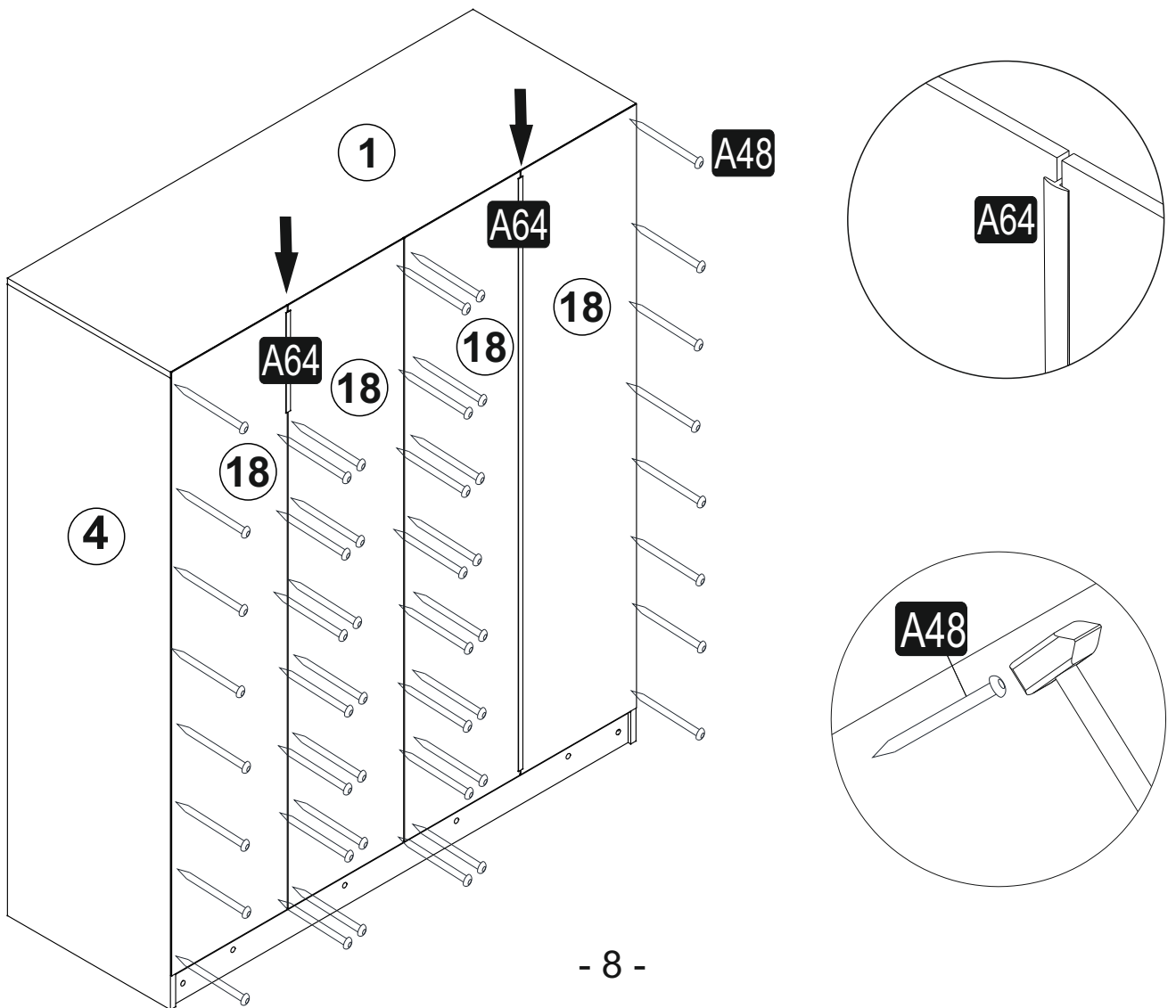
6



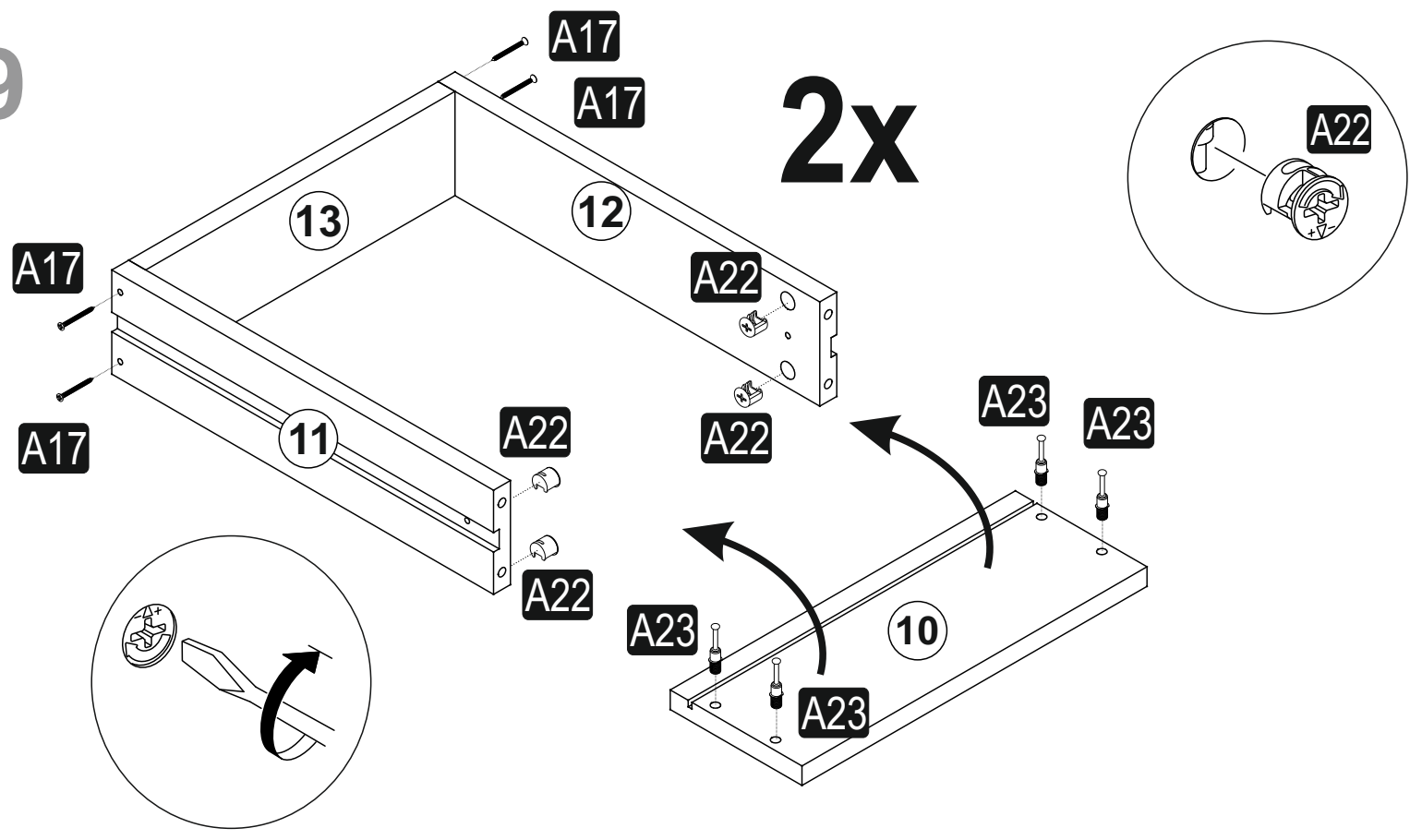
7



8

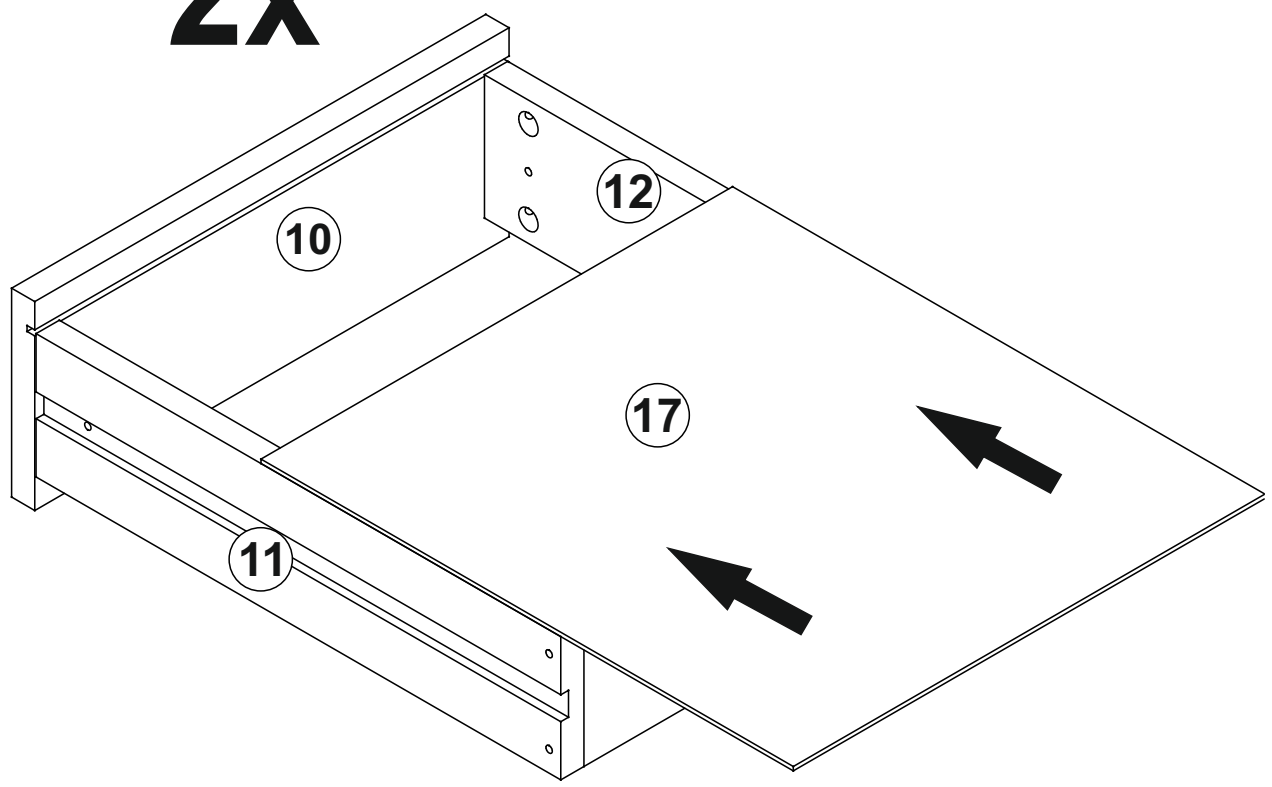


9

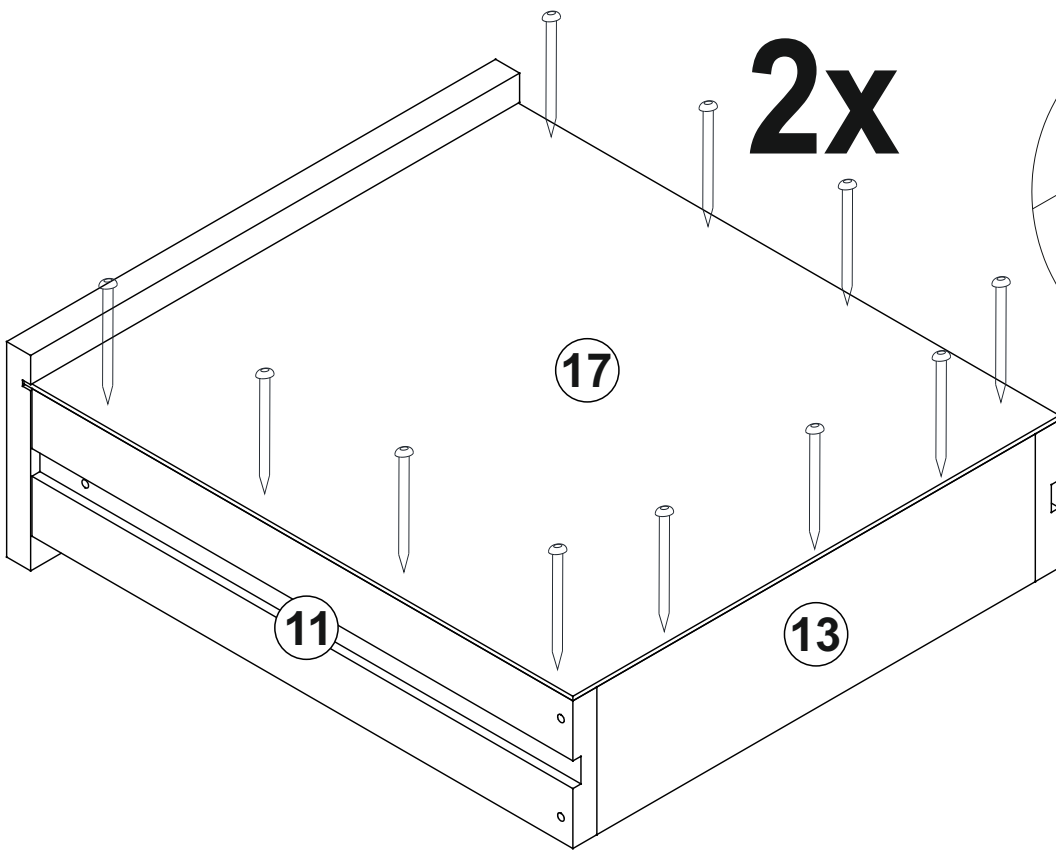


10

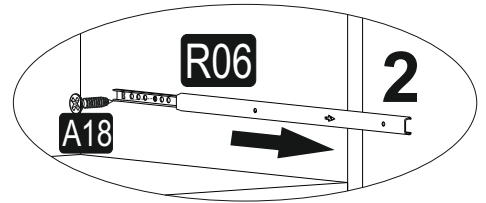
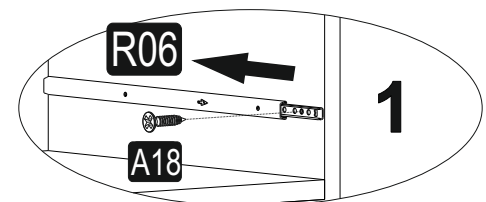
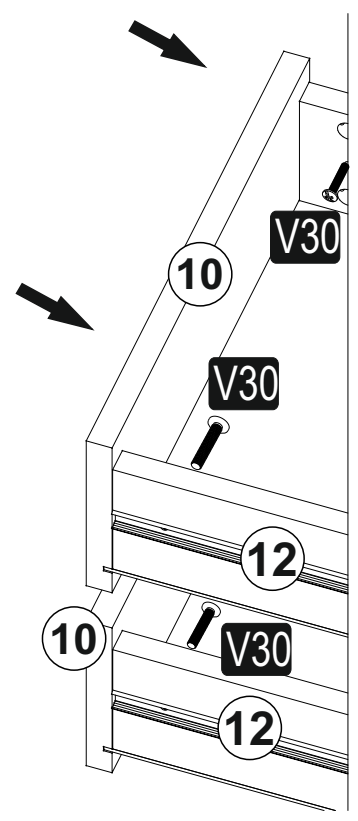
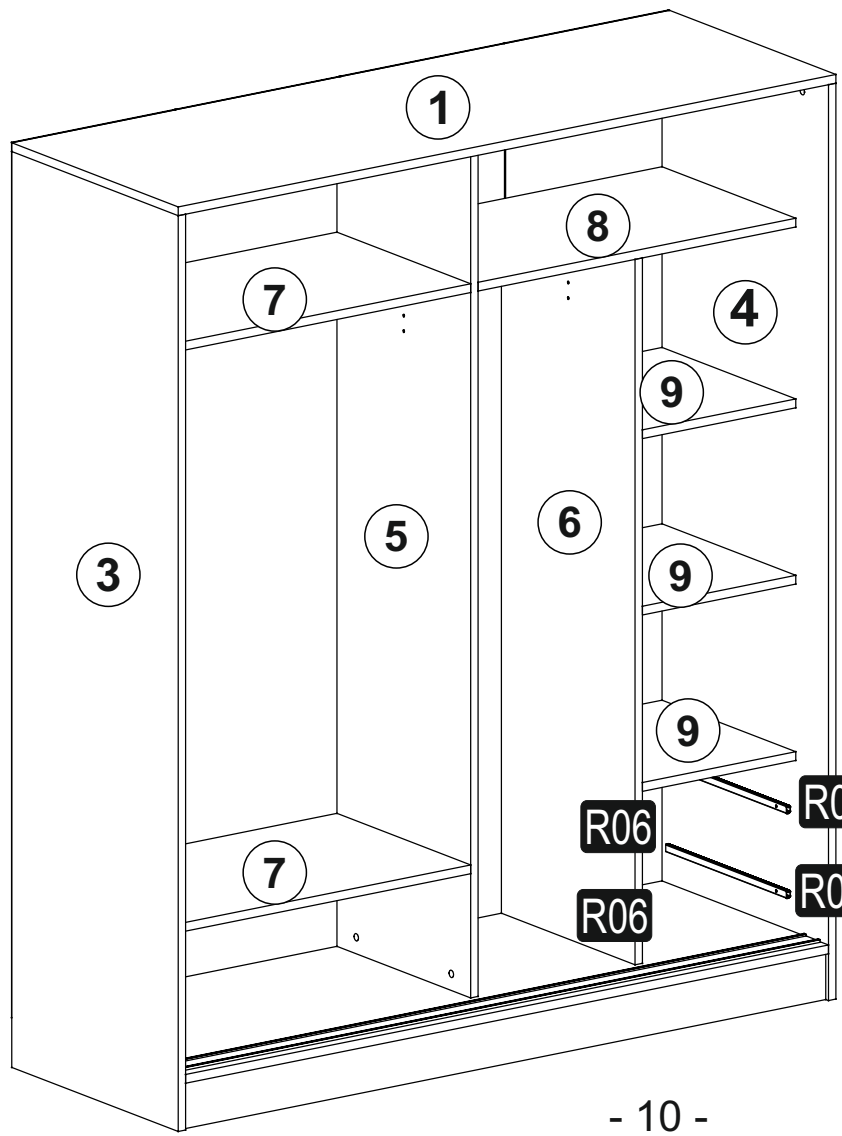
2x



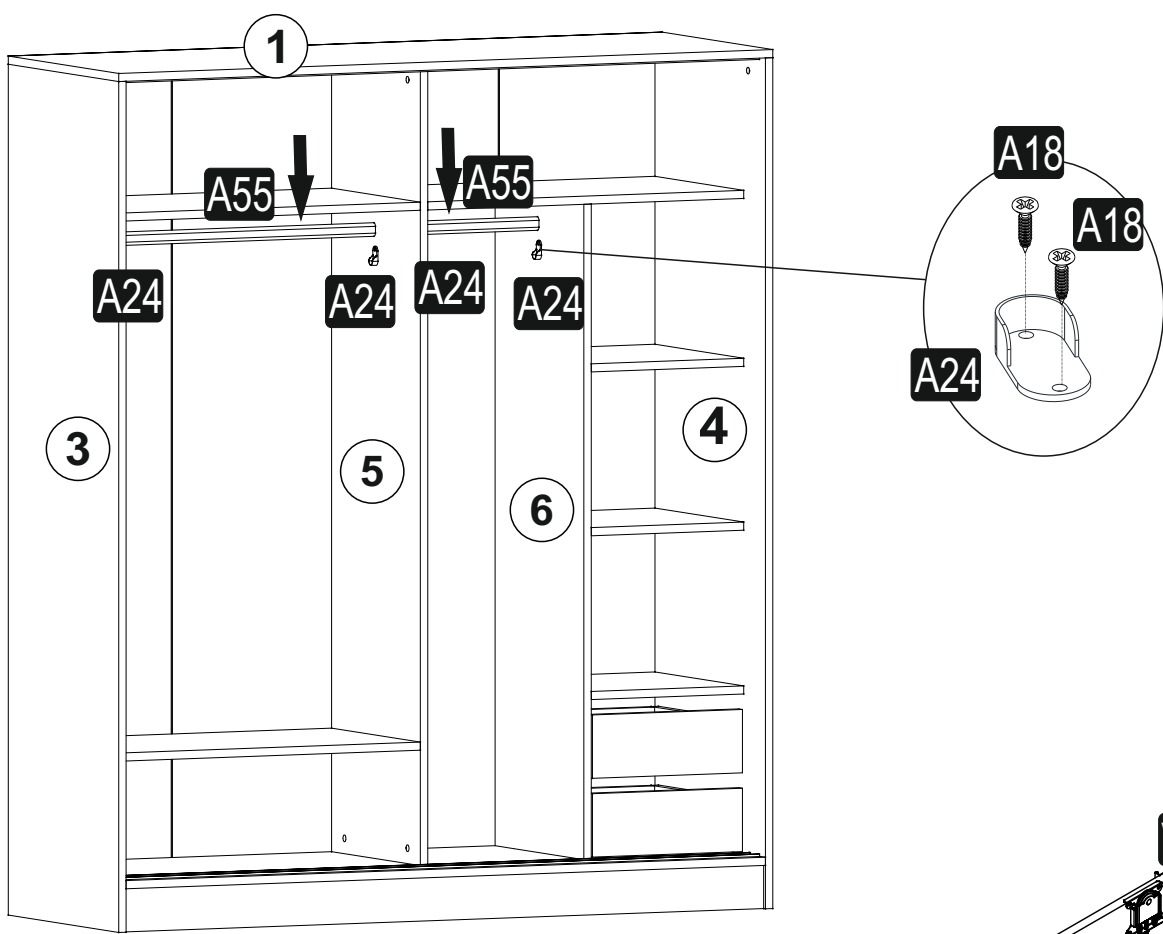
11



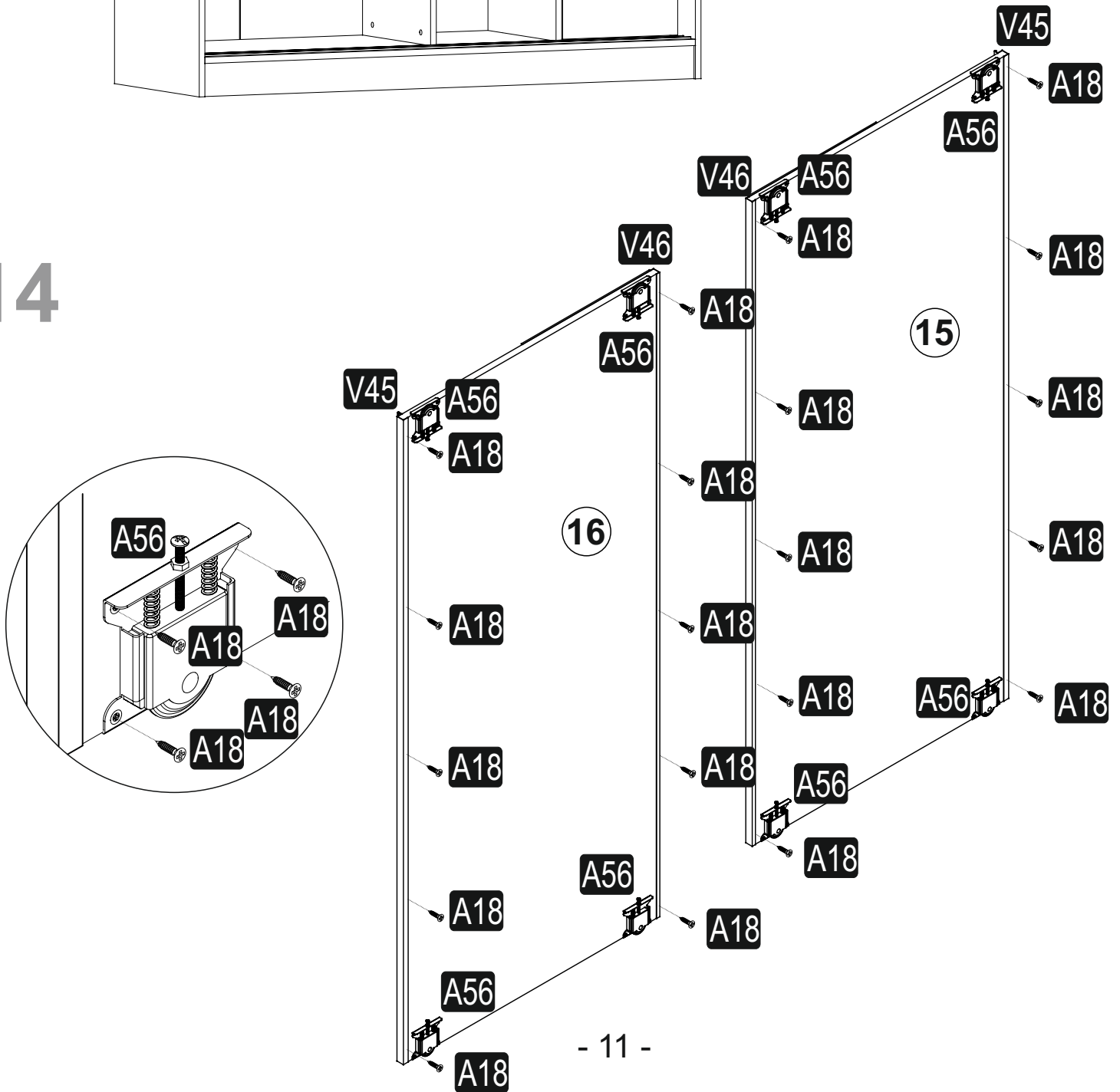
12



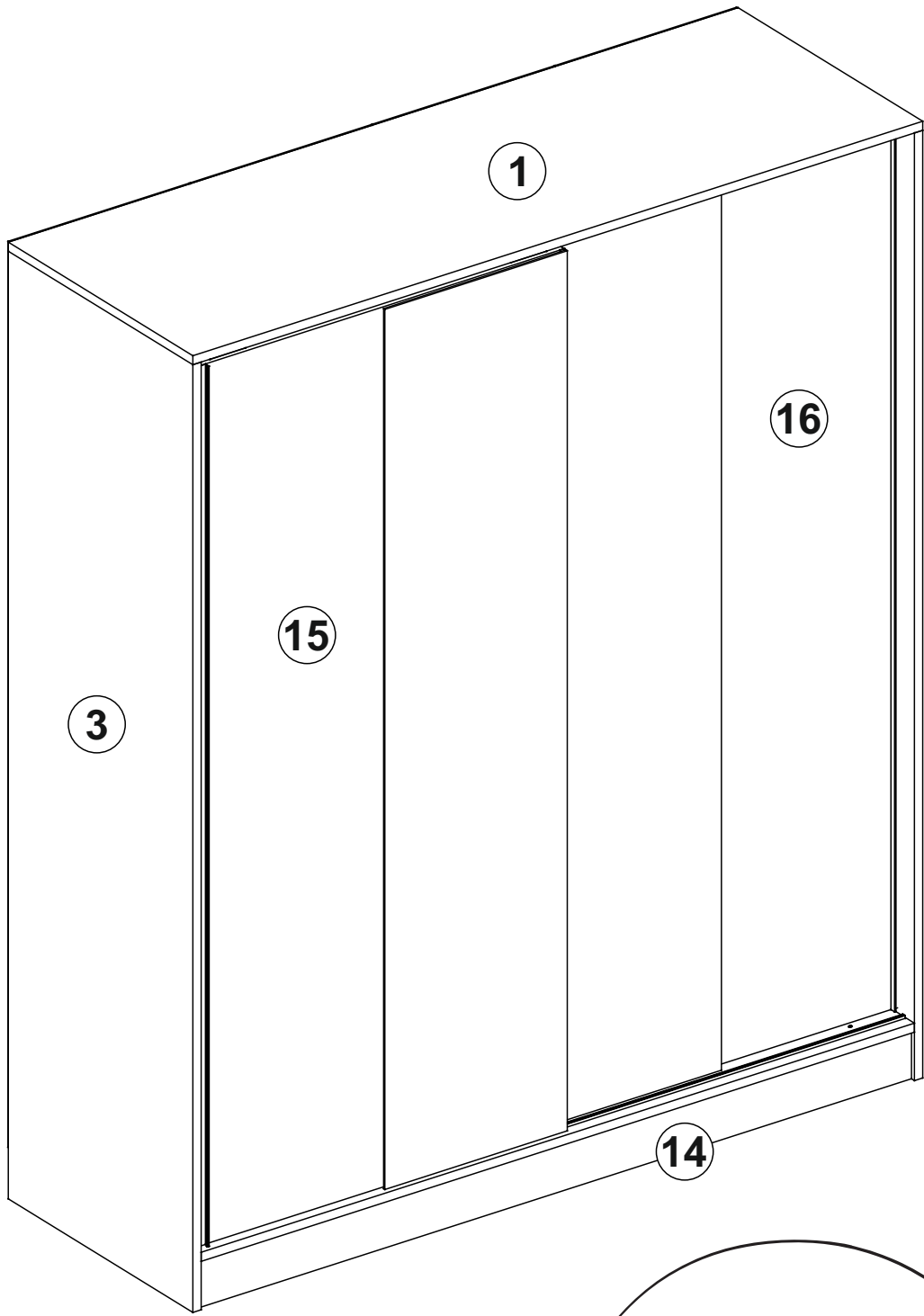
13



14



15



16

