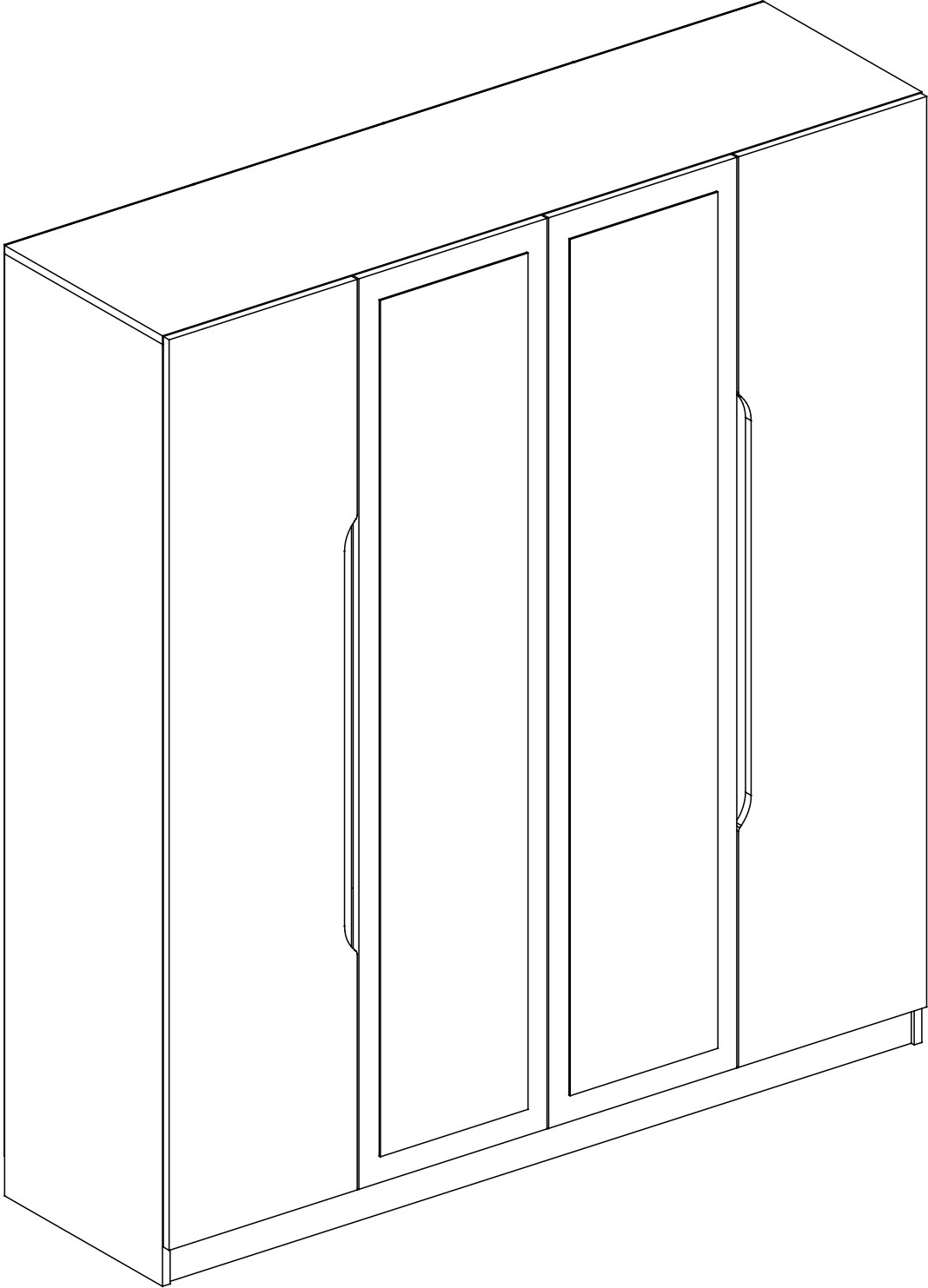


KOÇTA

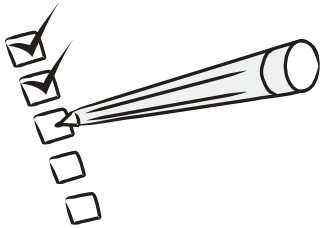
4K AYNALI DLP



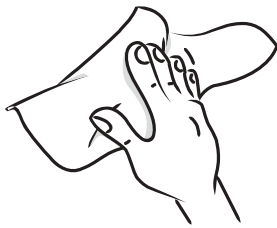
Dear Customer,

We design and produce our products for people to love and have fun with them as we do.

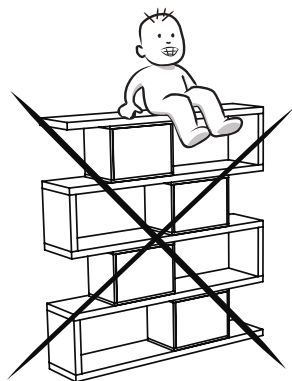
The product you bought was subjected to all sorts of tests and control before sending out to you.



Before start assembling, please check the whole components and accessories according to the lists. If you bought more than one product, to prevent confusion be sure that you completed the first product. Then start the other product's assembling.



Before start assembling, please clean all the components with a damp cloth. Also for usual cleaning, this will be enough.

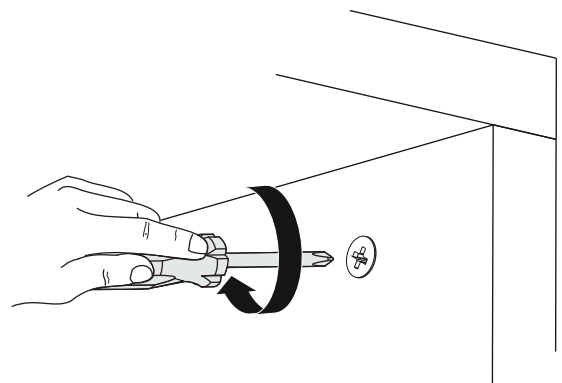
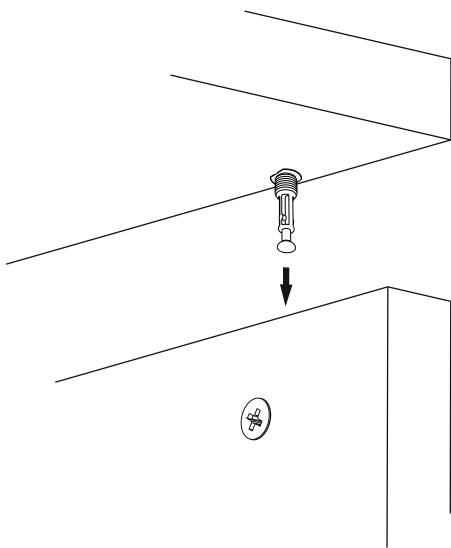
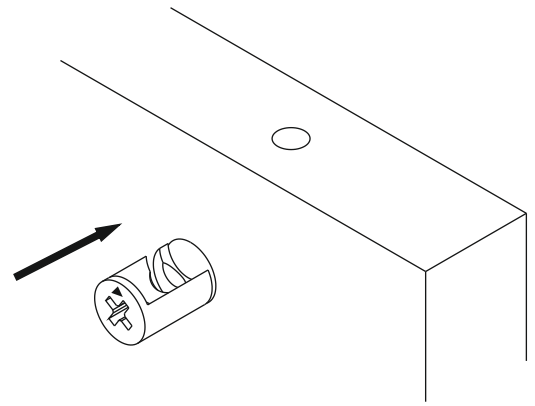
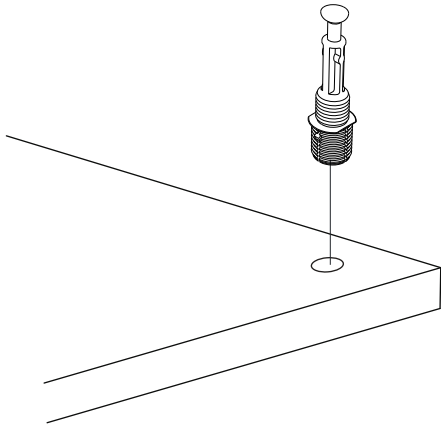
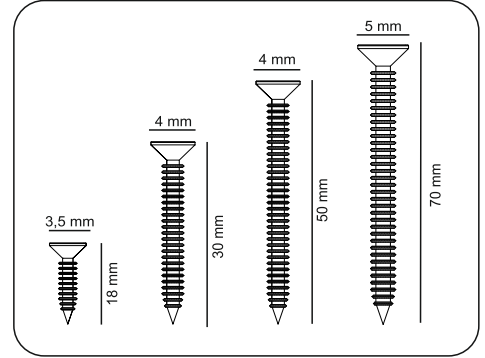
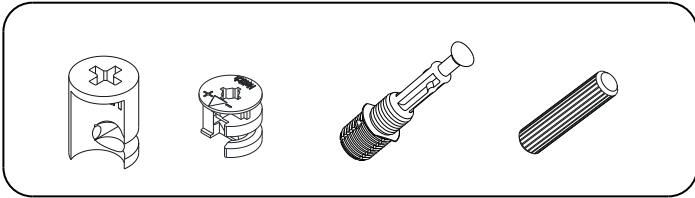


Do not use your furniture for out of purposes. If you would like to use it, please contact us for further questions.

Do not directly contact your furniture with excessive heat, cold and humidity because the product can be affected..

ATTENTION !!

Minifix is the main connection material used in products. Before starting assembly, please check the drawings below.

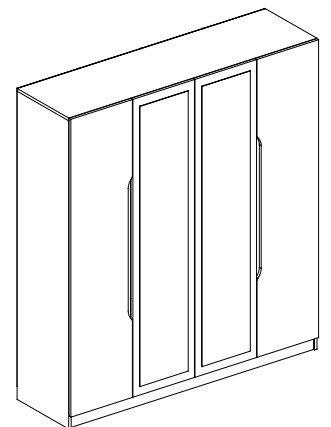
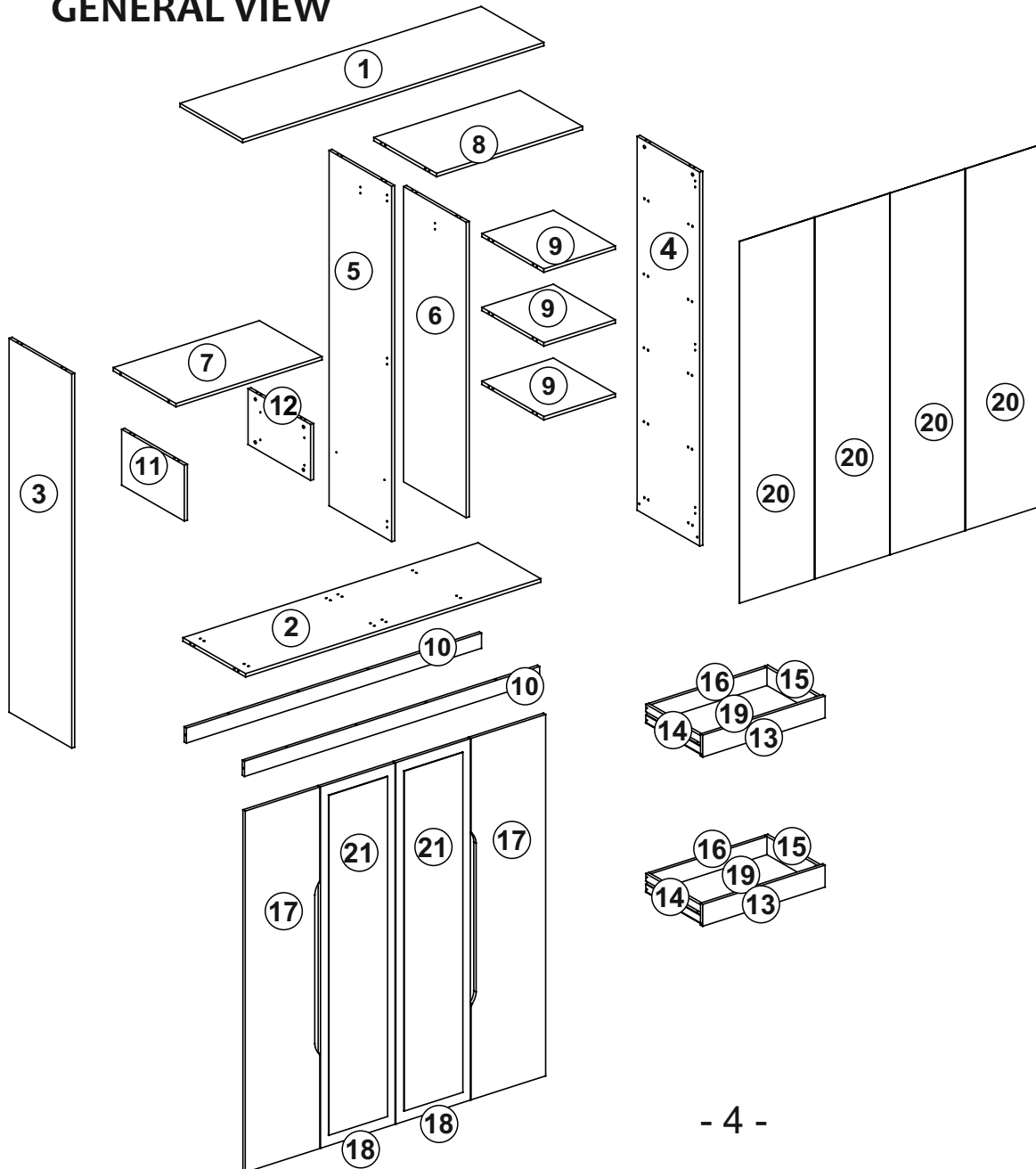


ACCESSORY LIST

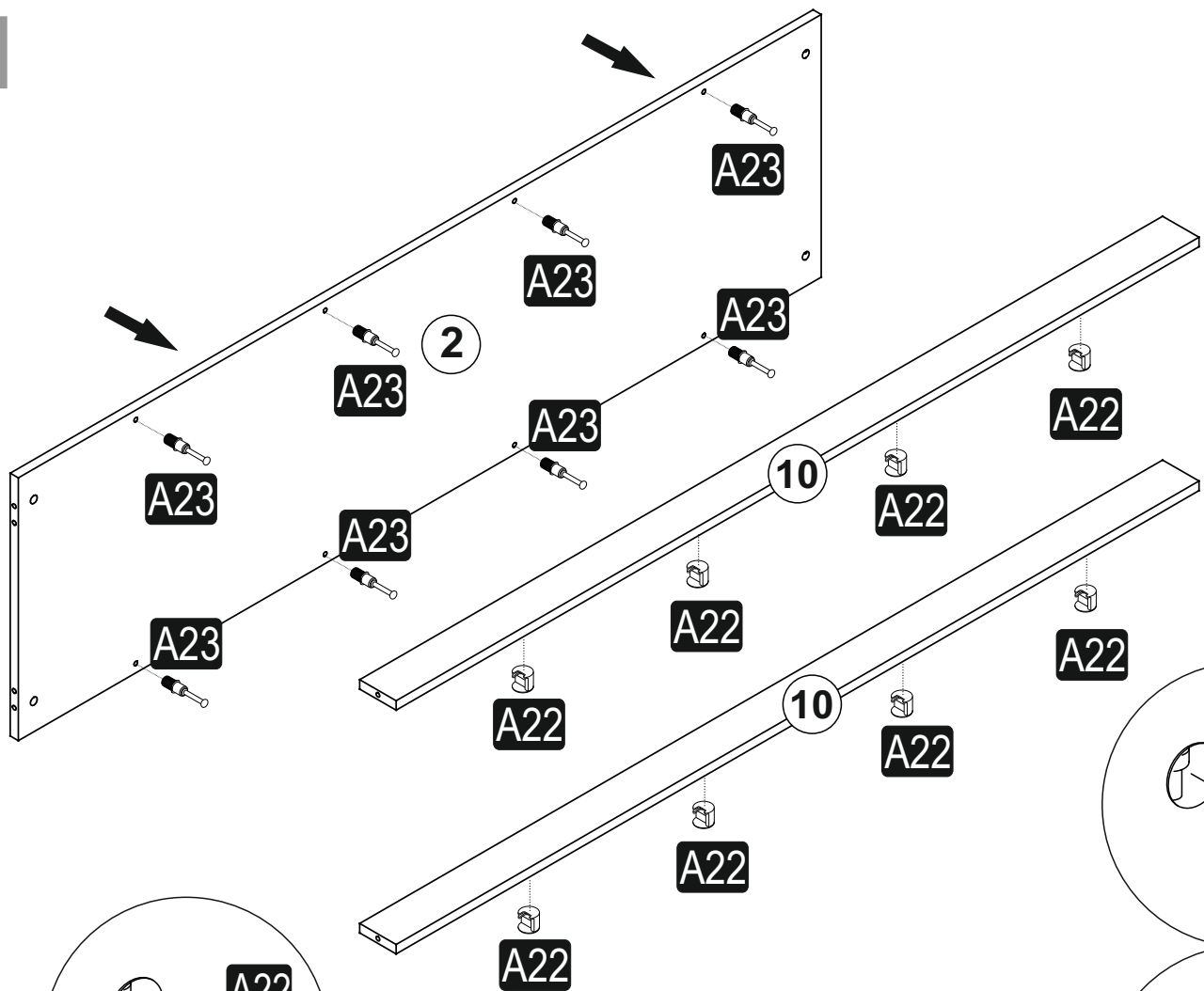
A23 Minifix M8 8x34 60x	A22 Minifix G18 15x14 60x	A04 KVLV 8x30 40x	C01 DM 6x	C04 MA 12x
A48 ARKLK CVS 80x	A64 H ARKLIK CTS 1880 mm 2x	R07 BLY RAY 17x438 2x	V30 MTRK VD 4x15 4x	A24 FLNS 4x
V10 RFIX 20x14 4x	V11 RFIX VD 5x13 4x	A17 4x50 8x	A18 3,5x18 64x	A55 AB 863mm 1x
A06 18 mm ANTRST 50x	A55 AB 495 mm 1x	C03 YDM 6x		

.01	1	1800	500	18
.02	1	1764	500	18
.03	1	1980	500	18
.04	1	1980	500	18
.05	1	1882	500	18
.06	1	1564	500	18
.07	1	873	500	18
.08	1	873	500	18
.09	3	350	494	18
.10	2	1764	80	18
.11	1	296	500	18
.12	1	296	500	18
.13	2	731	116	18
.14	2	438	96	18
.15	2	438	96	18
.16	2	693	96	18
.17	2	1914	446	18
.18	2	1914	446	18
.19	2	729	444	3
.20	4	1915	447	3
.21	2	1800	350	4

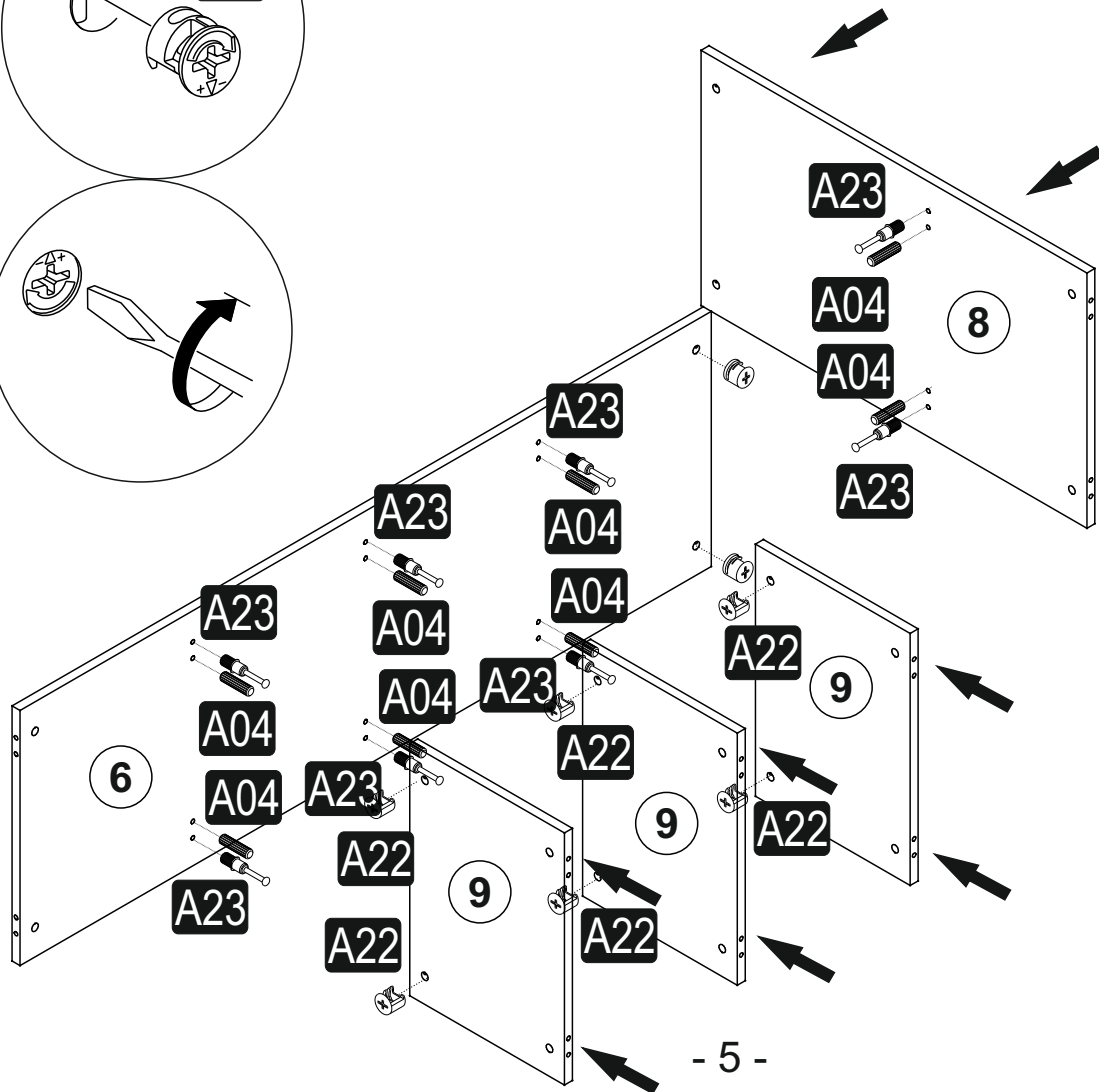
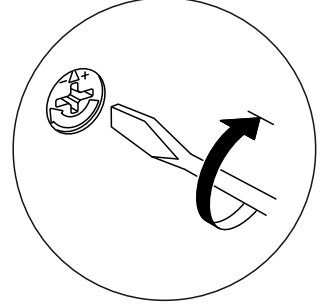
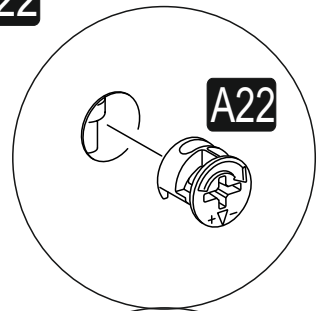
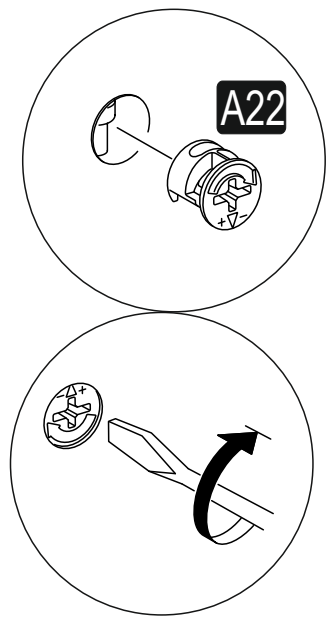
GENERAL VIEW



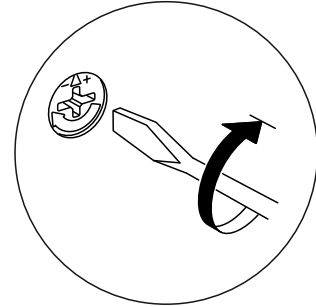
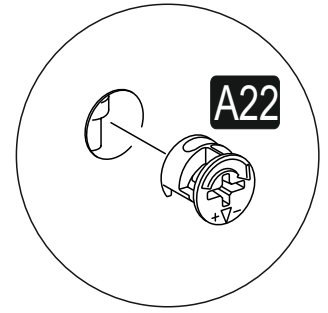
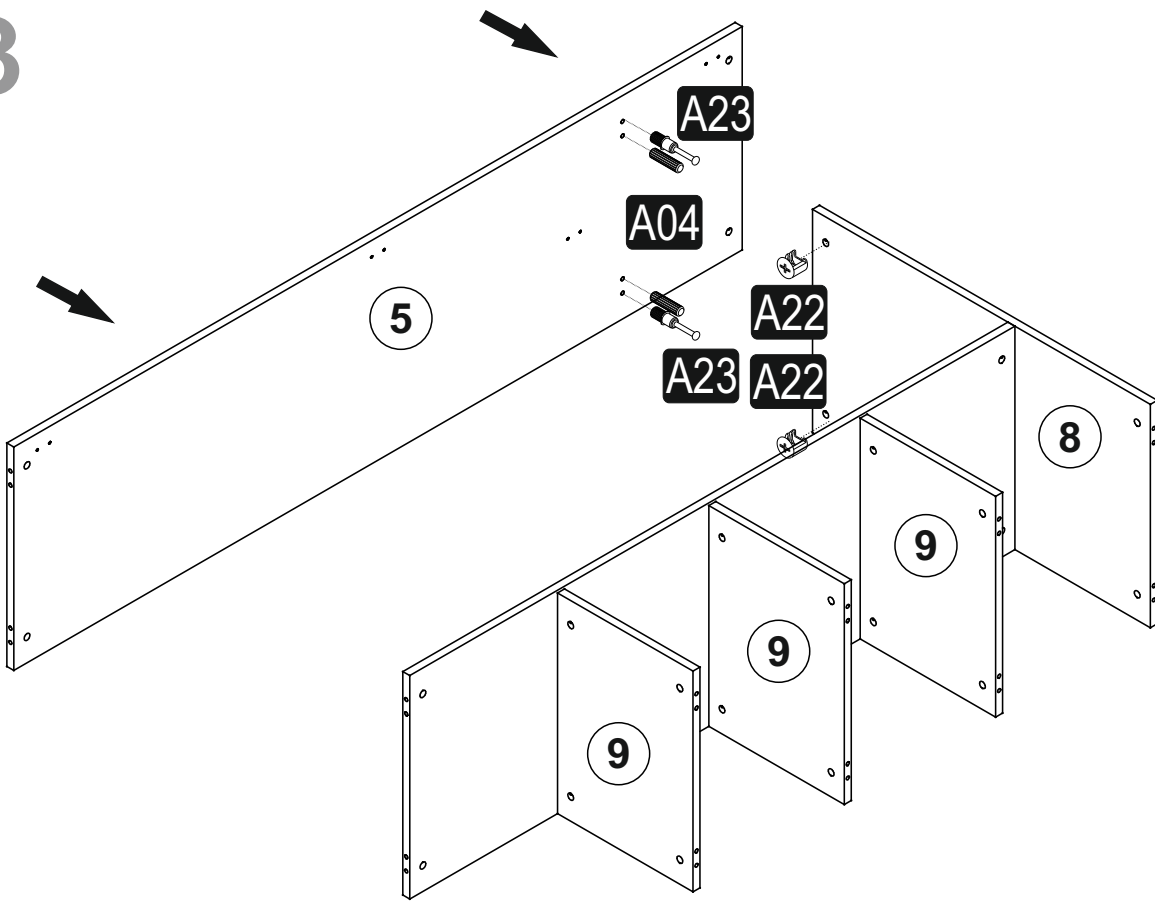
1



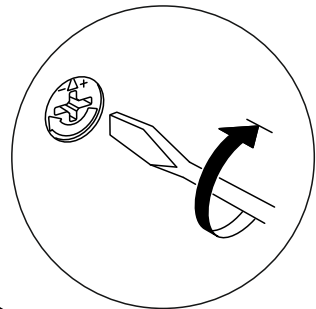
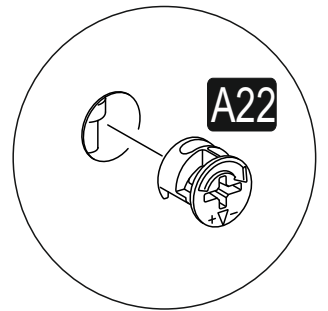
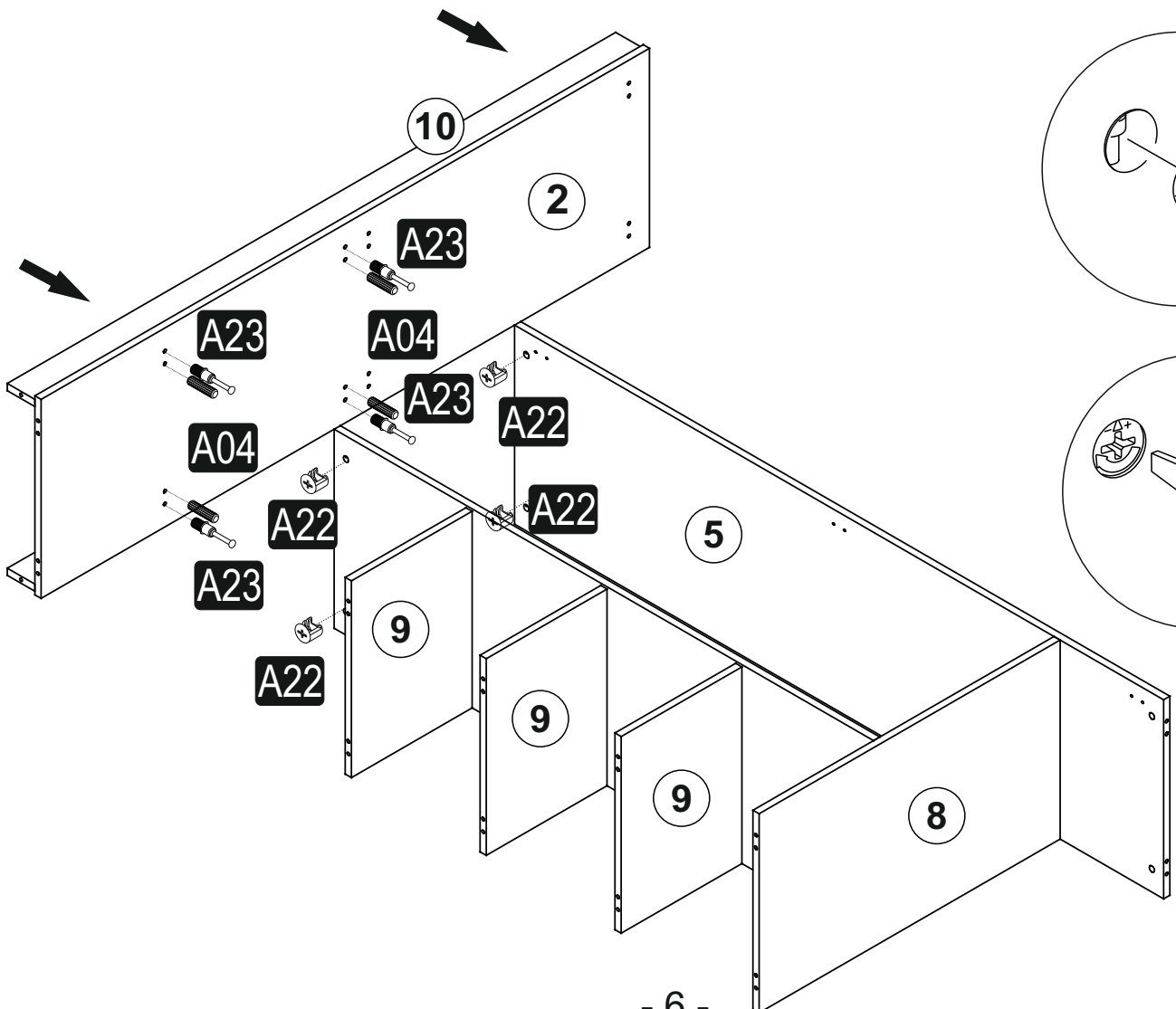
2



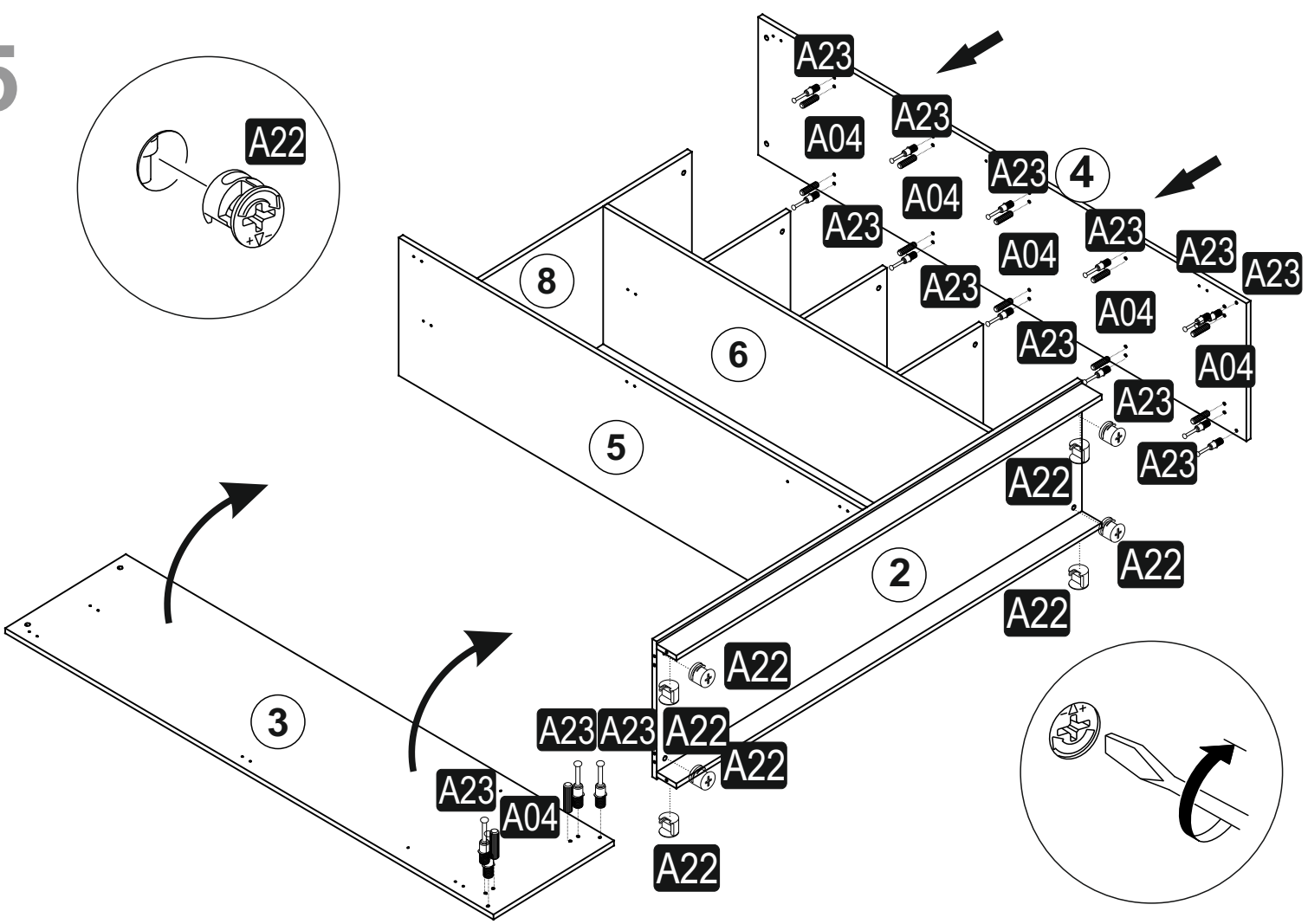
3



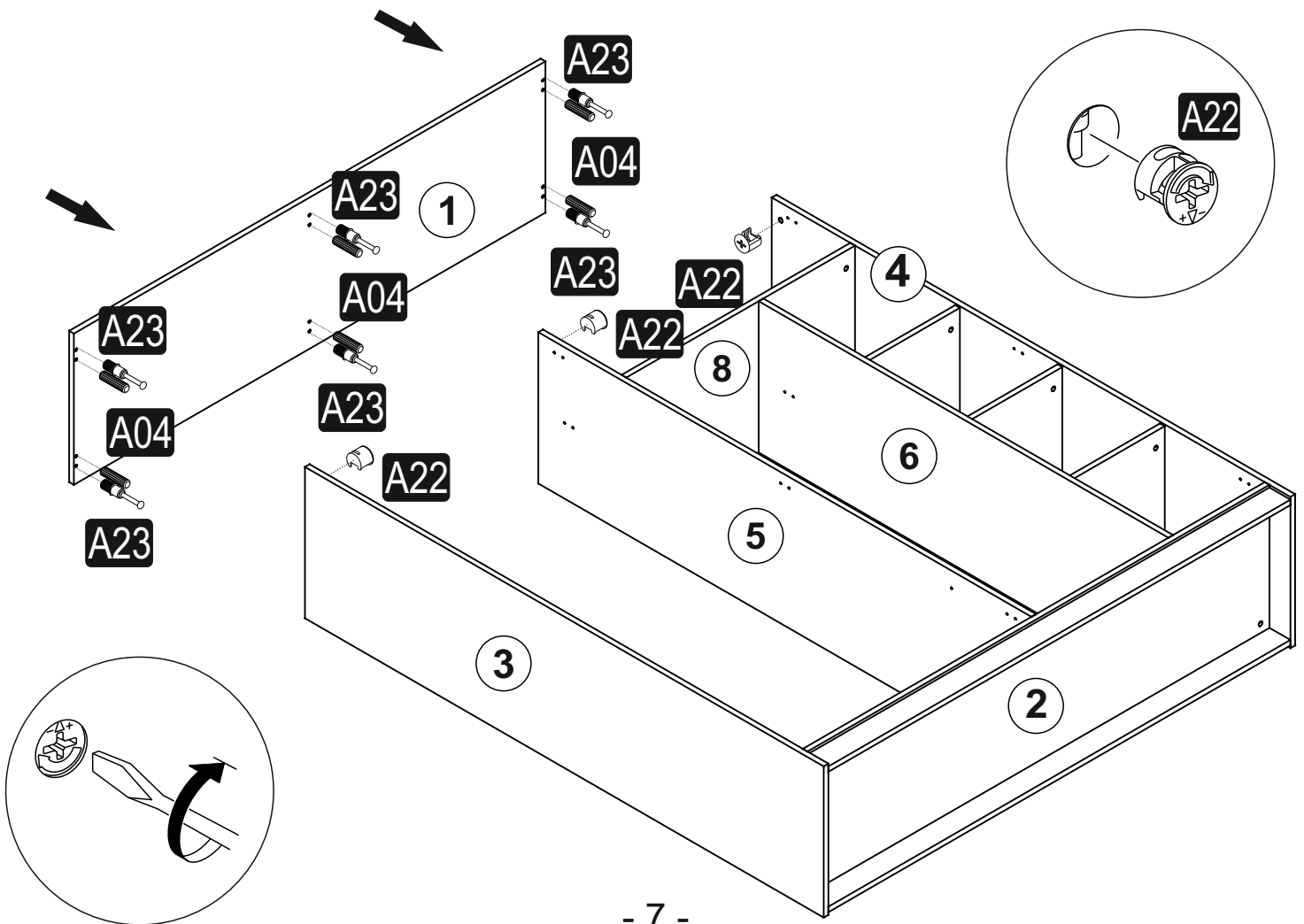
4



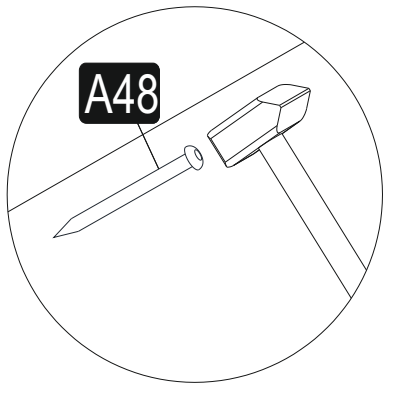
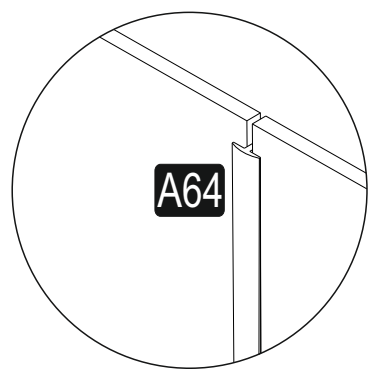
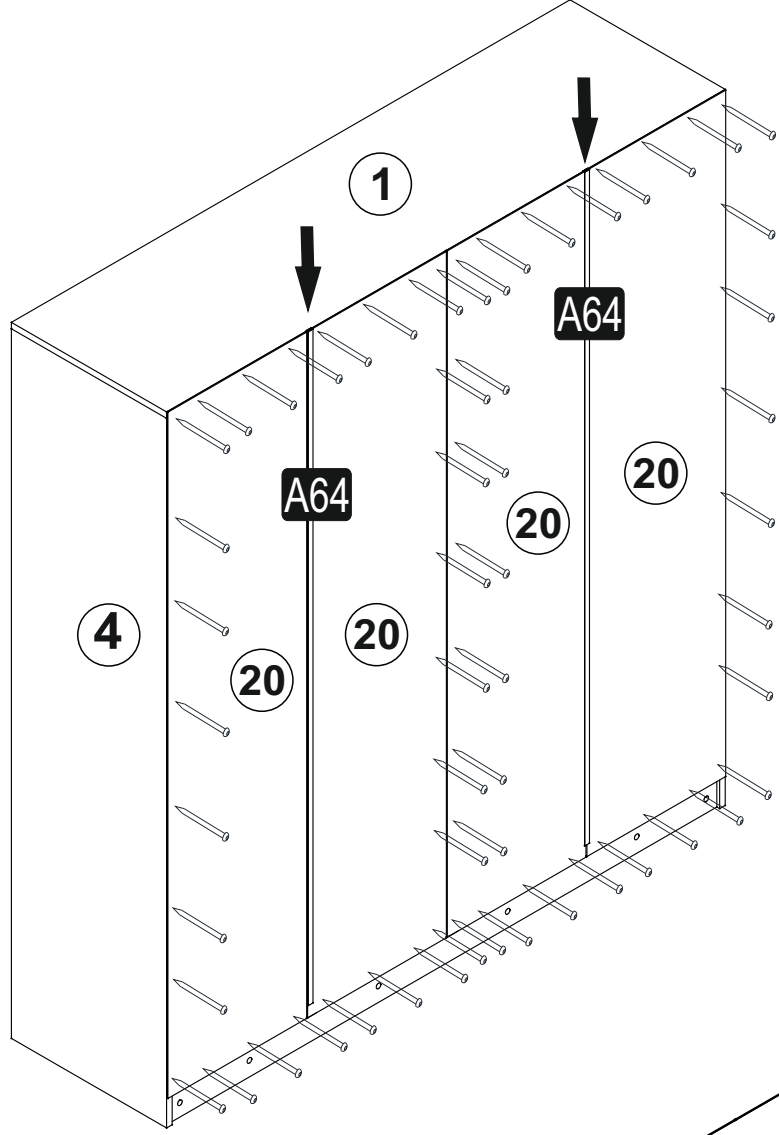
5



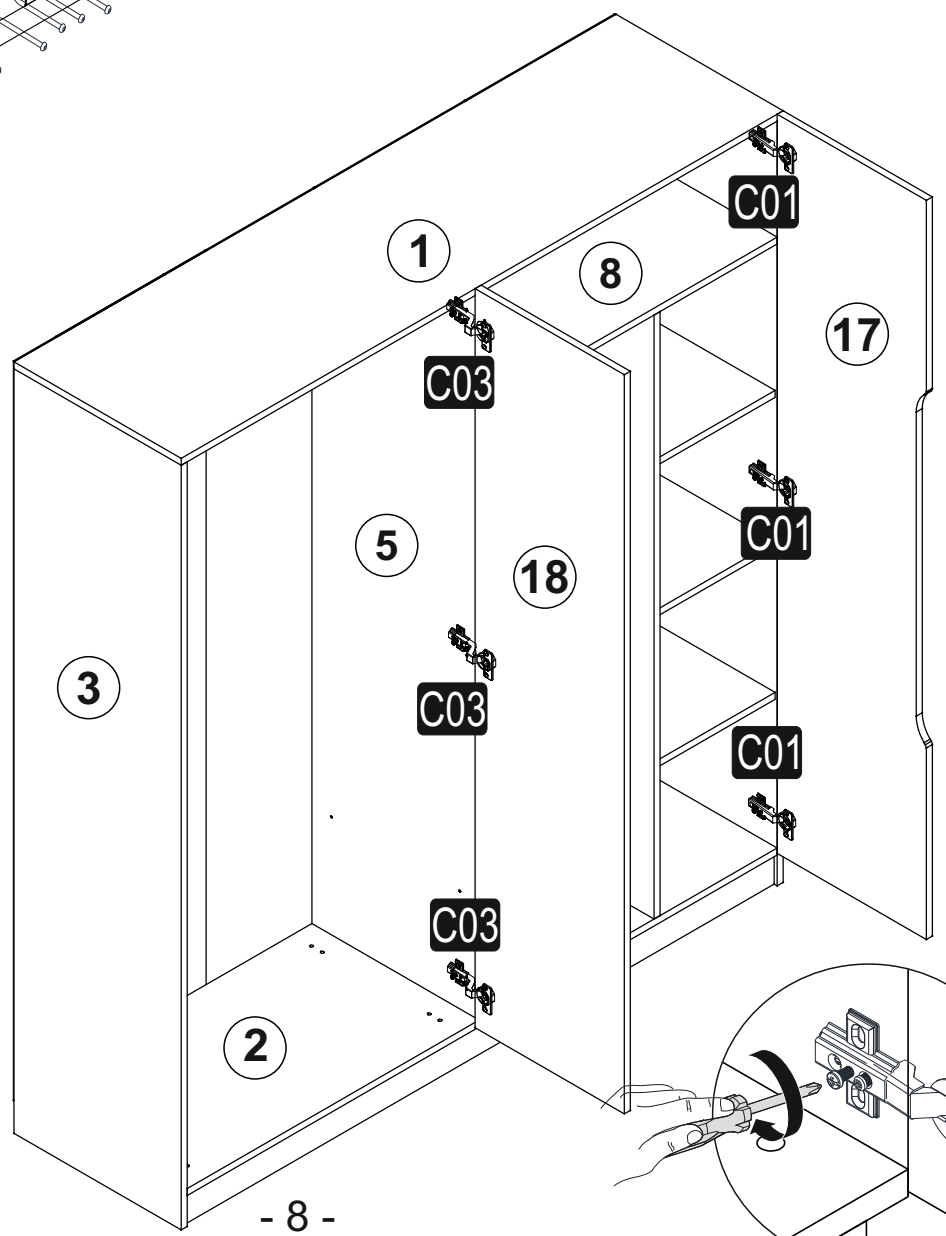
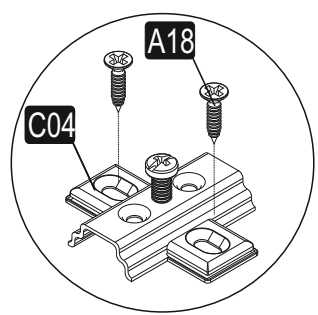
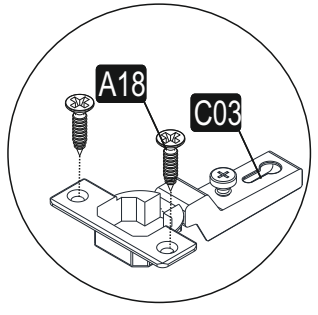
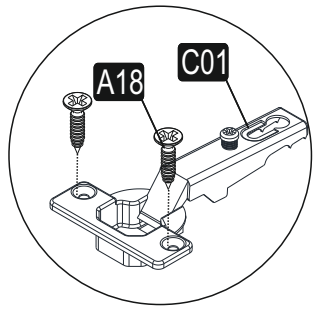
6



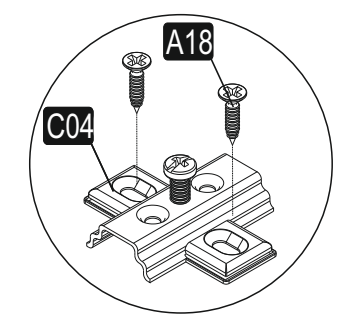
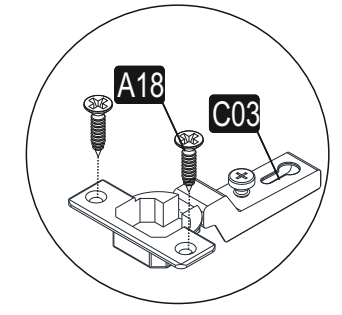
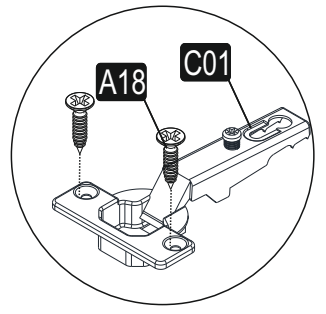
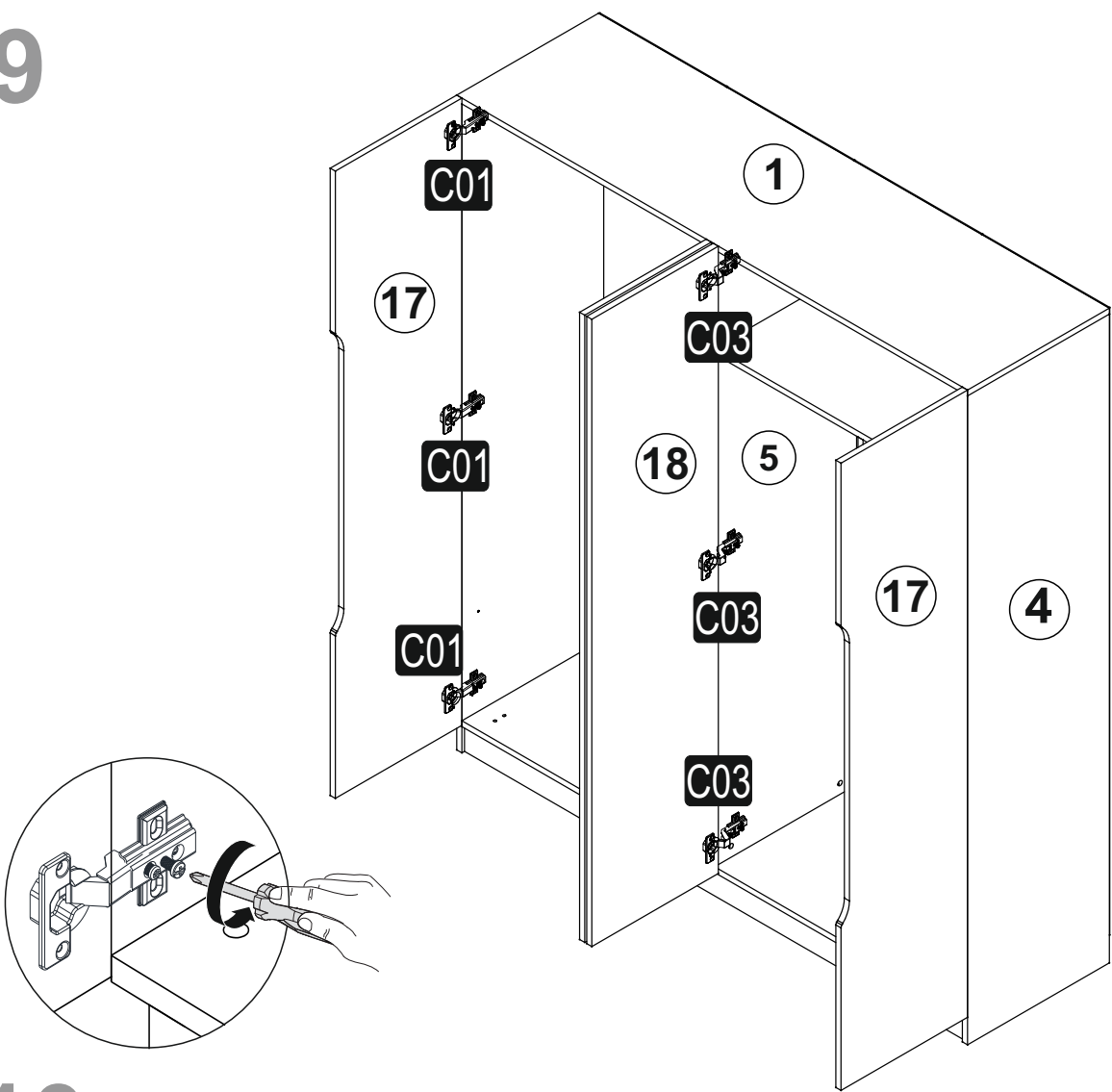
7



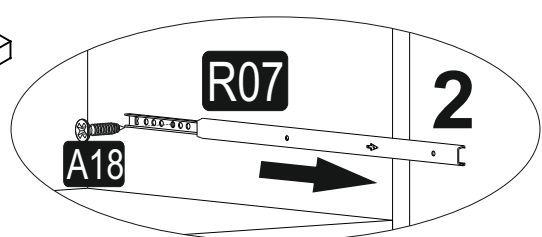
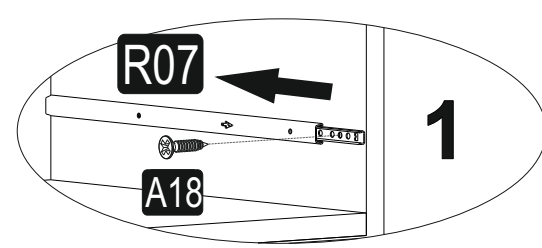
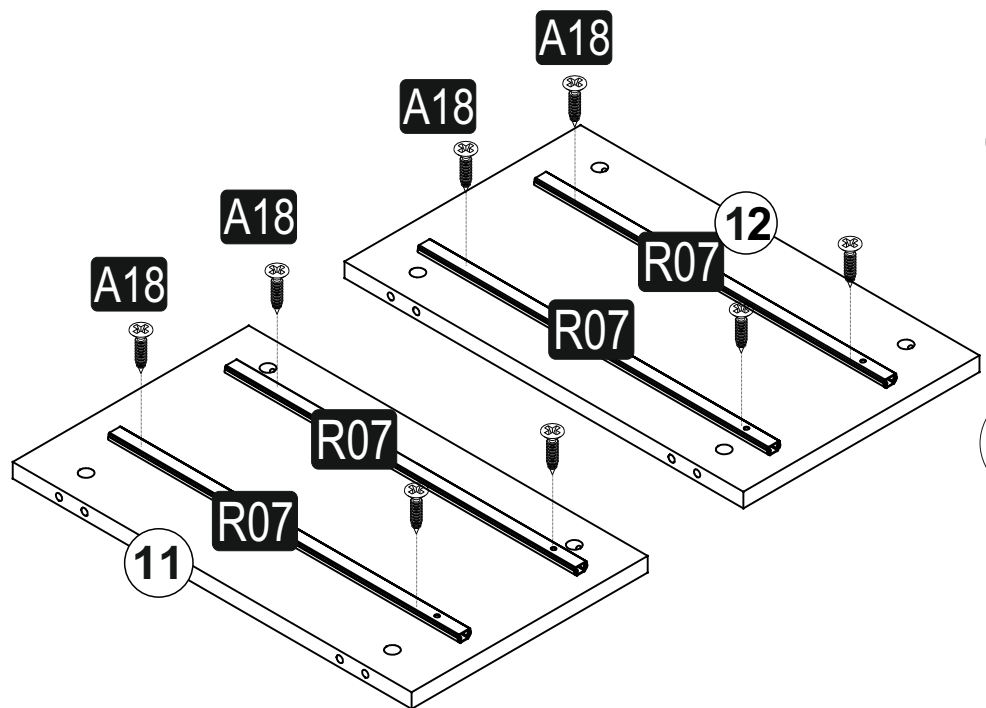
8



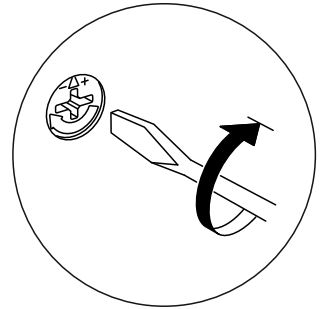
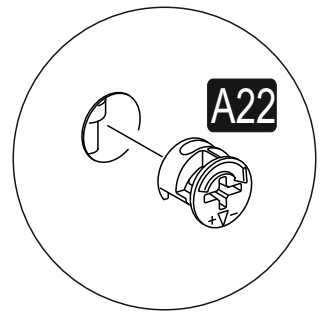
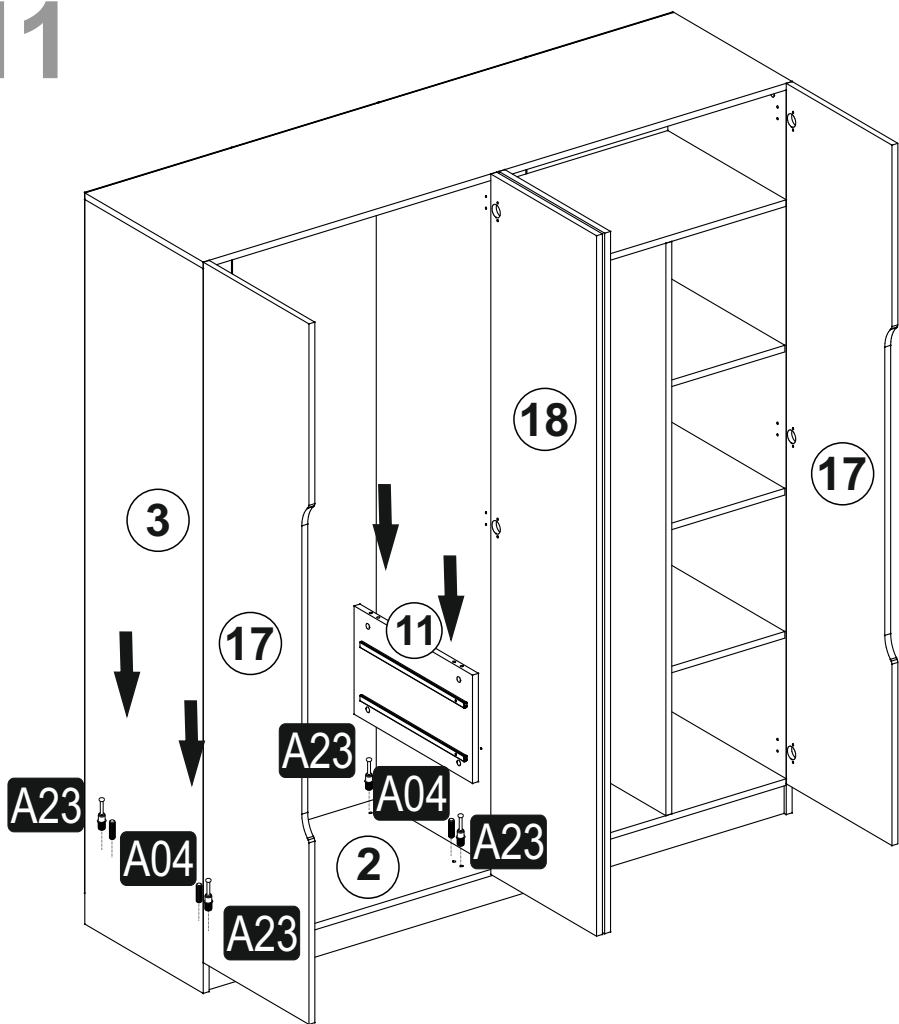
9



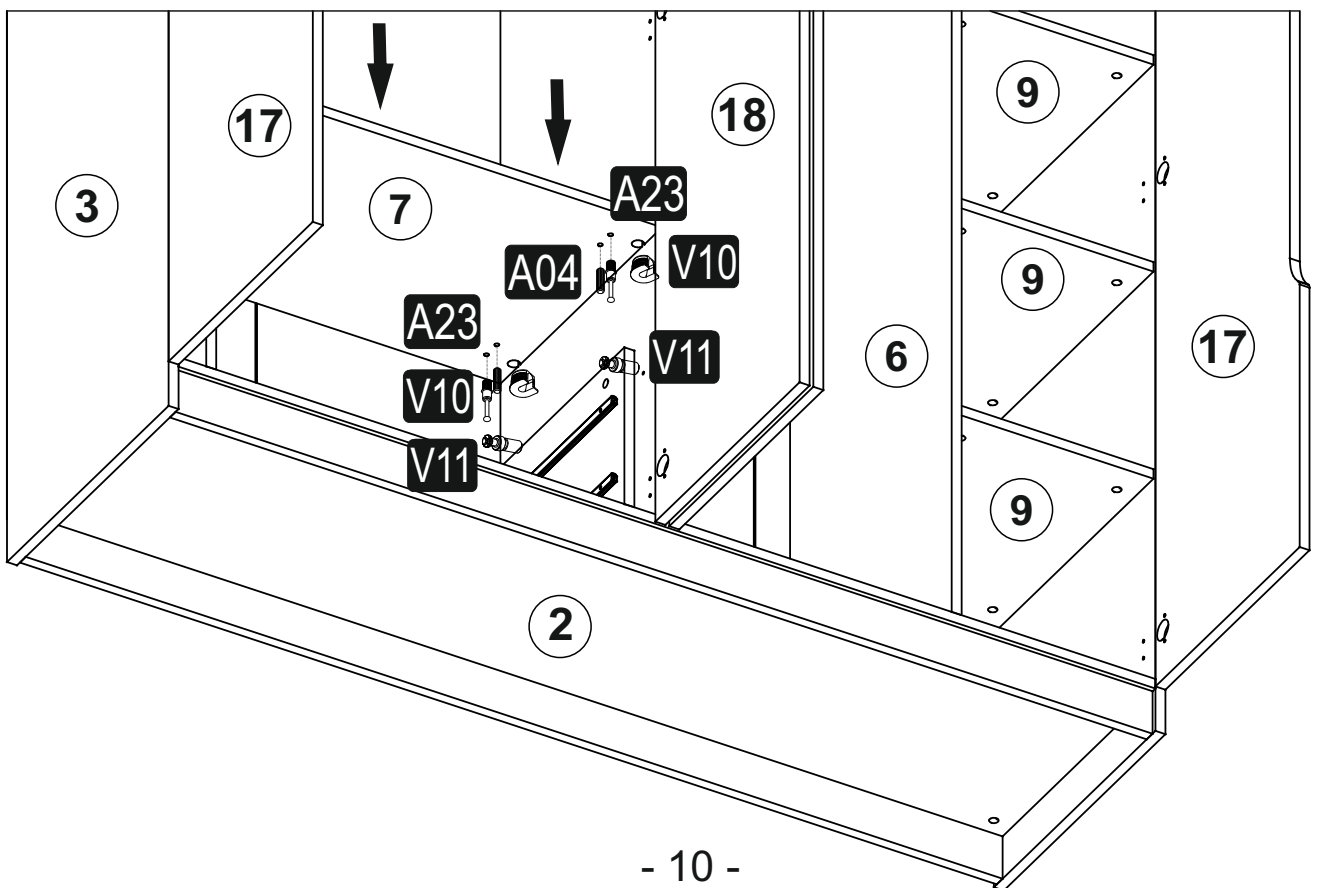
10



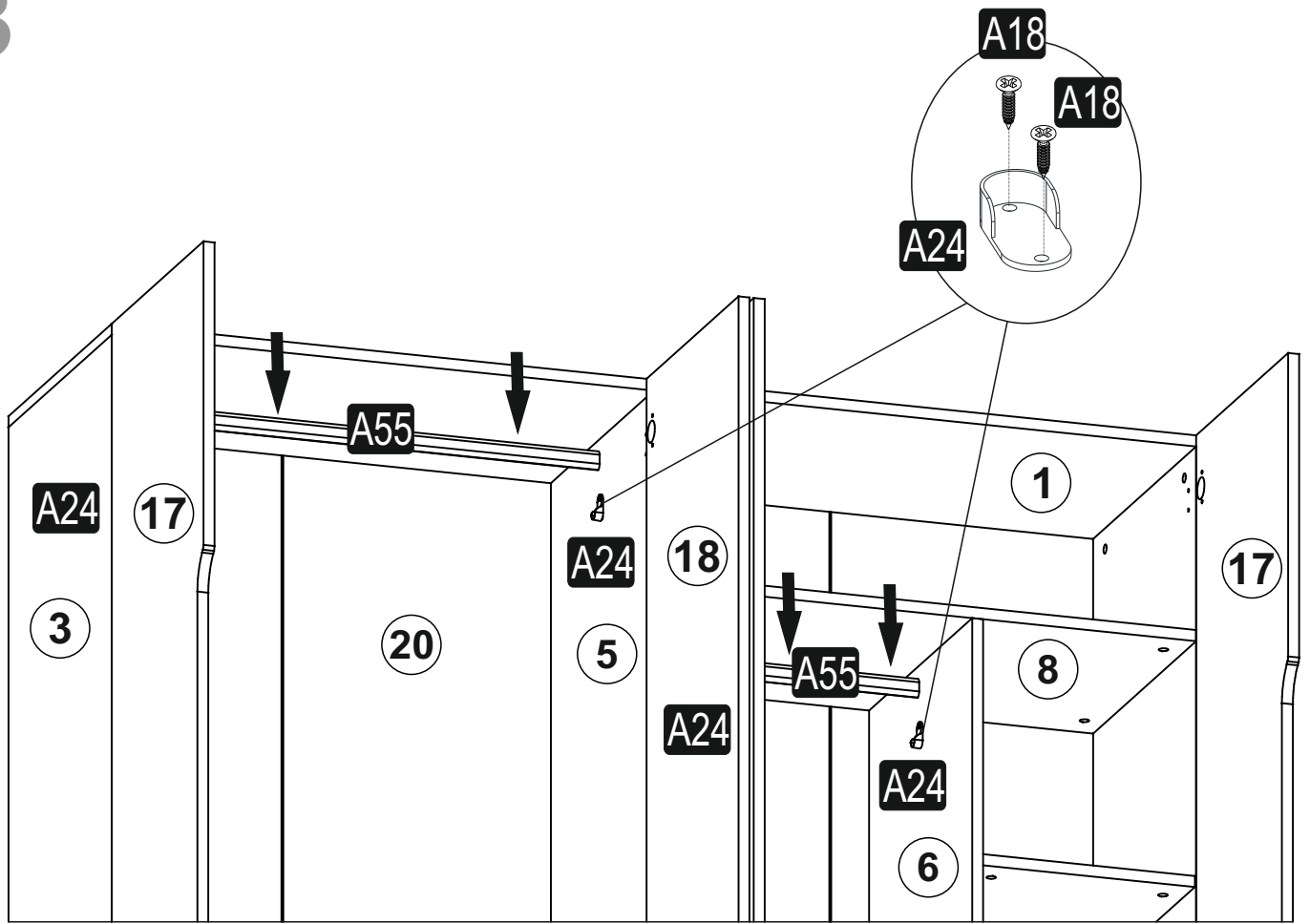
11



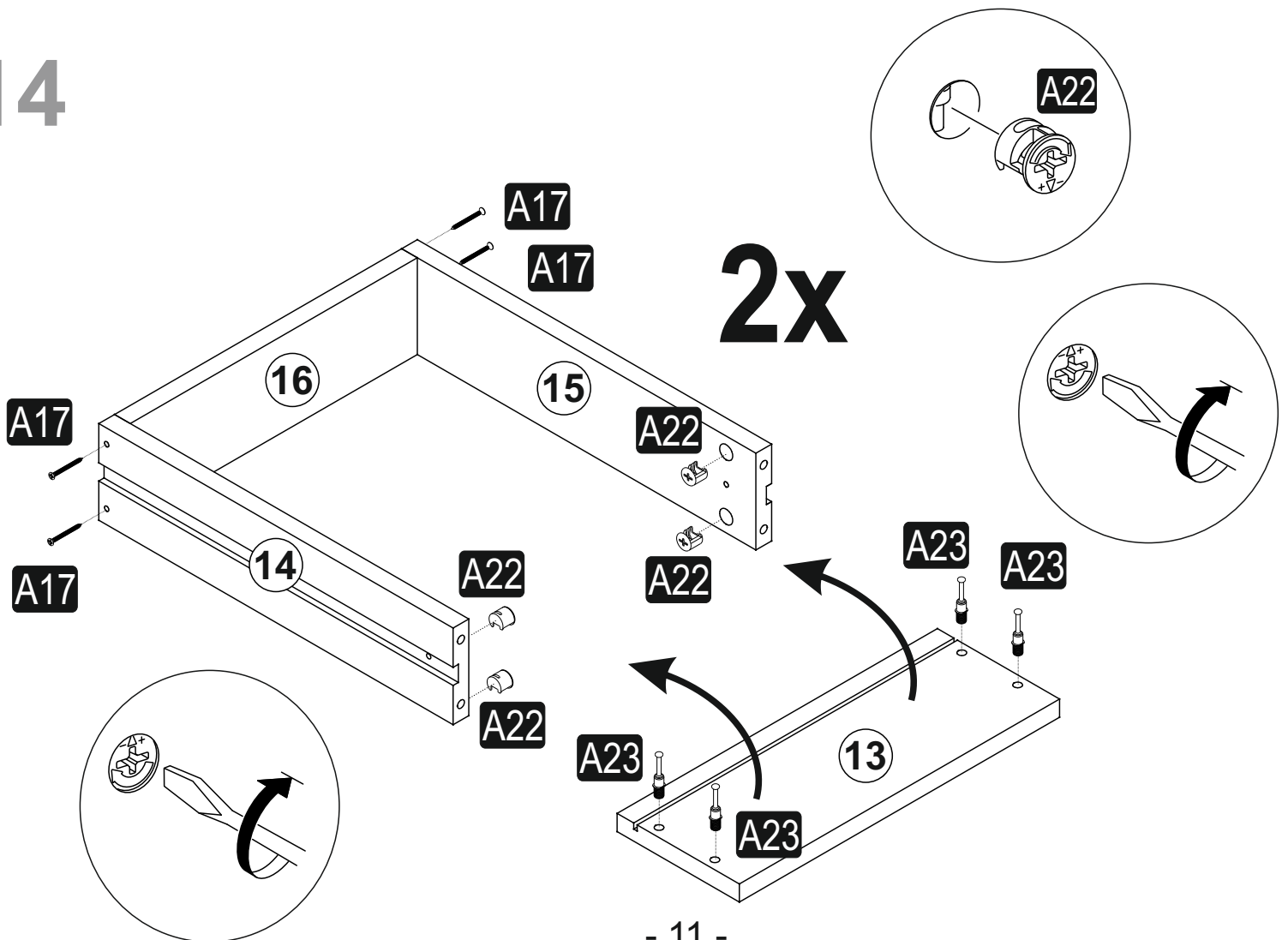
12



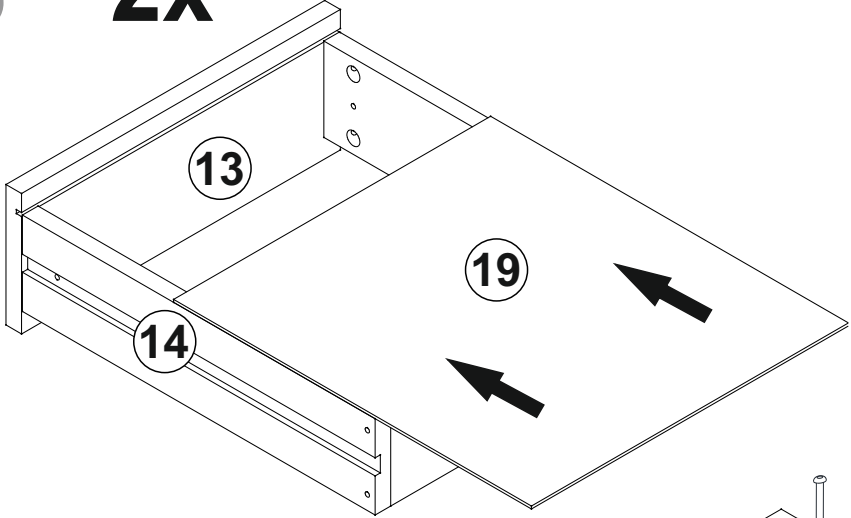
13



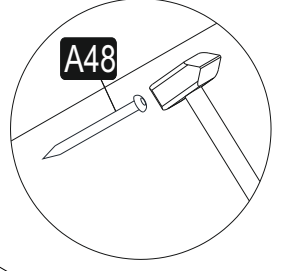
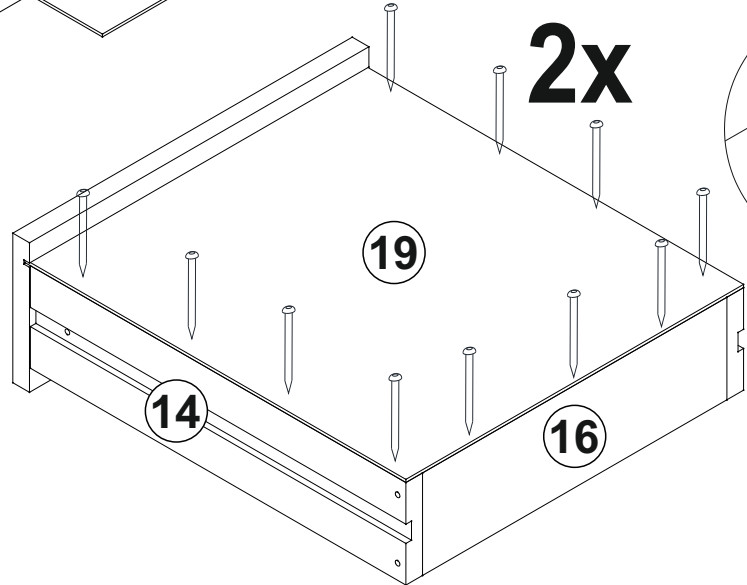
14



15 2x



16



17

