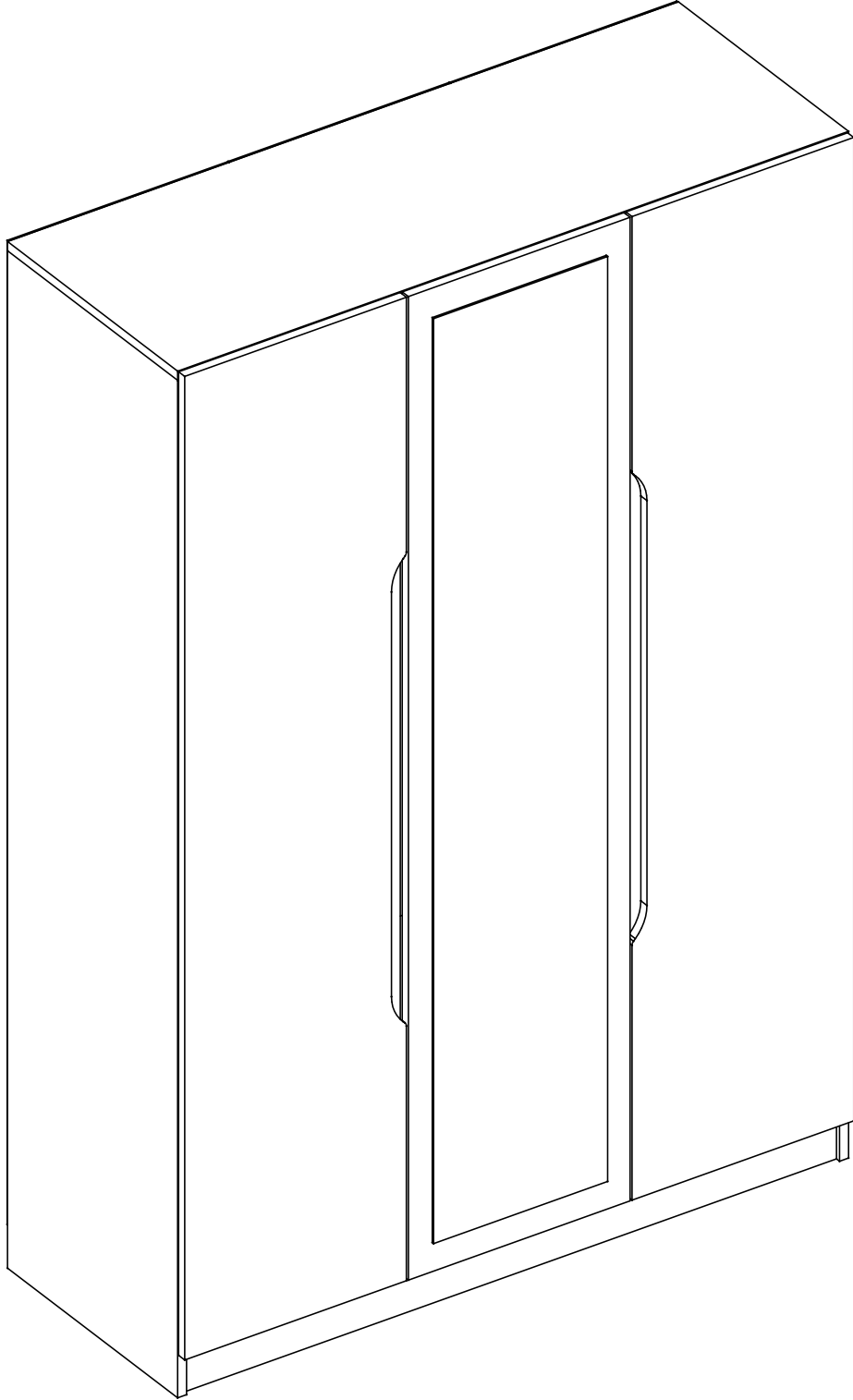


KOÇTA

# 3K AYNALI DLP

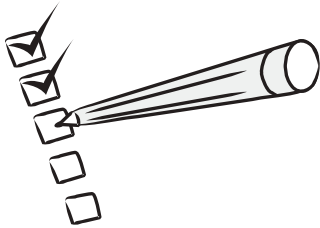
---



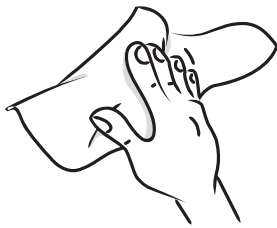
Dear Customer,

We design and produce our products for people to love and have fun with them as we do.

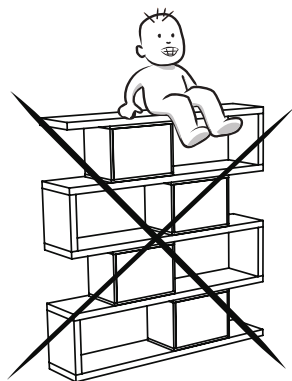
The product you bought was subjected to all sorts of tests and control before sending out to you.



Before start assembling, please check the whole components and accessories according to the lists. If you bought more than one product, to prevent confusion be sure that you completed the first product. Then start the other product's assembling.



Before start assembling, please clean all the components with a damp cloth. Also for usual cleaning, this will be enough.

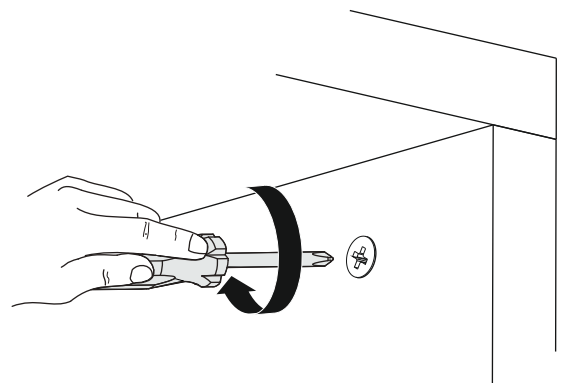
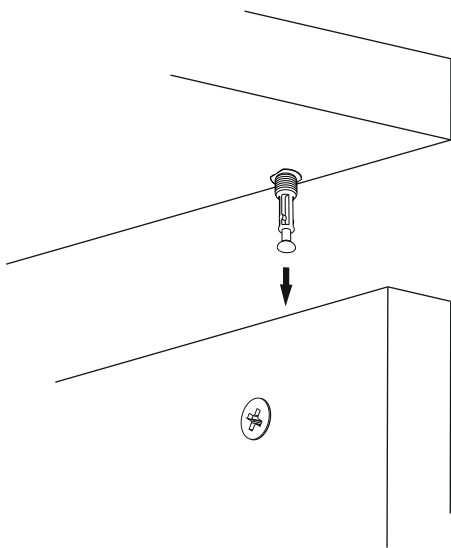
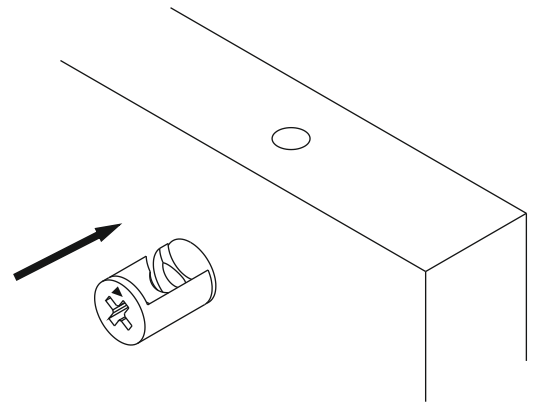
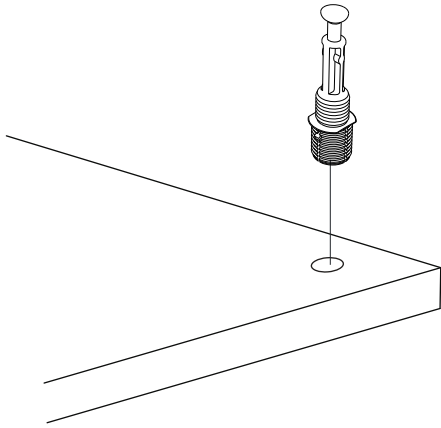
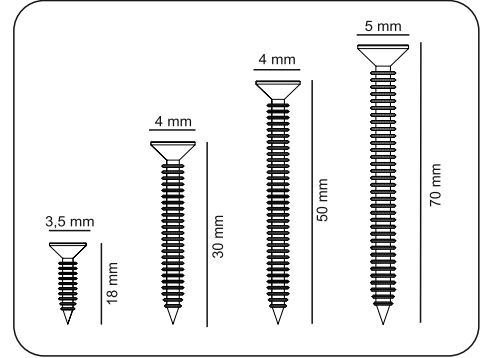
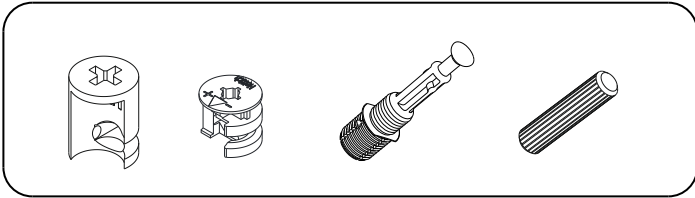


Do not use your furniture for out of purposes. If you would like to use it, please contact us for further questions.

Do not directly contact your furniture with excessive heat, cold and humidity because the product can be affected..

# ATTENTION !!

Minifix is the main connection material used in products. Before starting assembly, please check the drawings below.

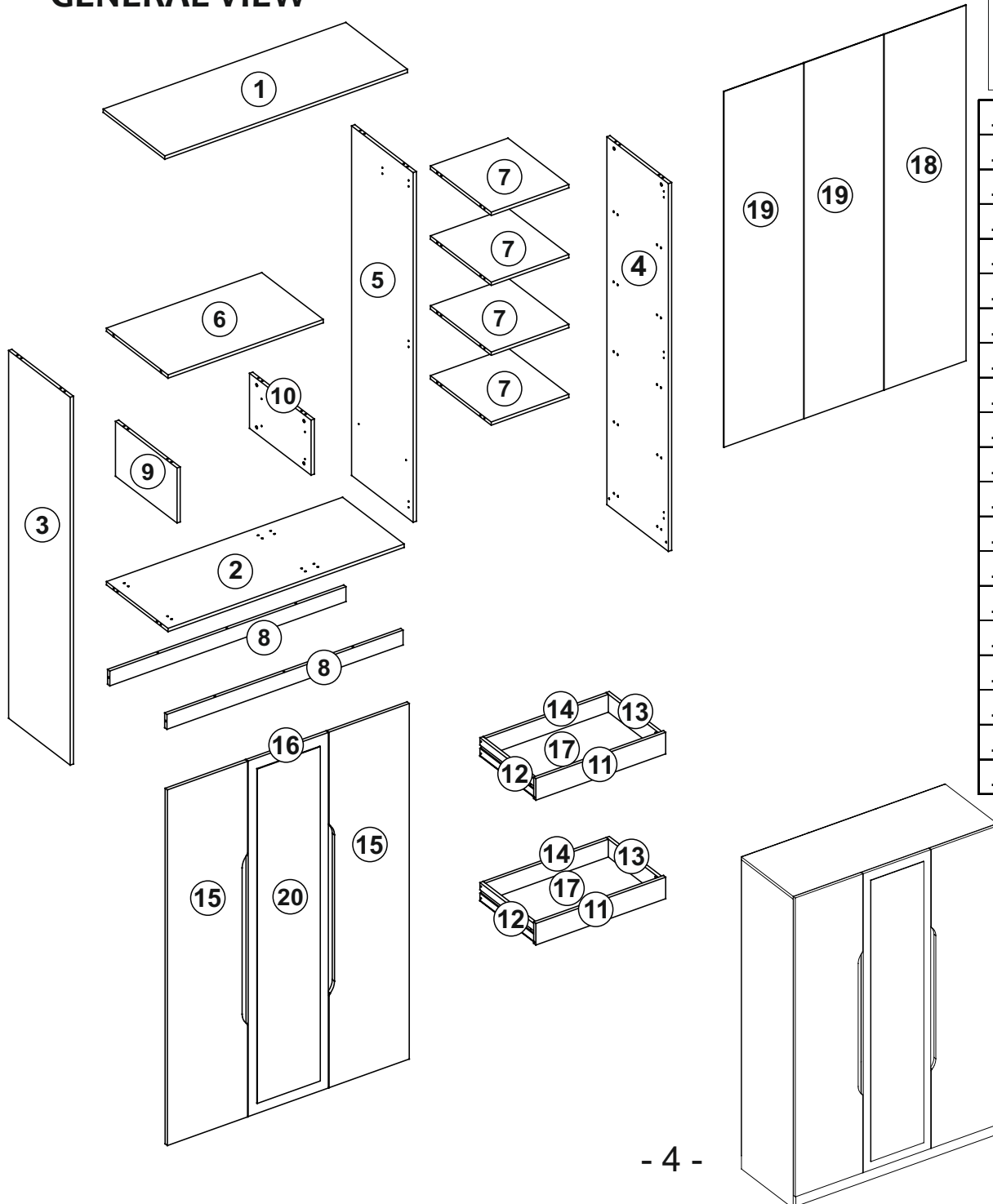


# ACCESSORY LIST

# KOÇTA 3K AYNALI DLP

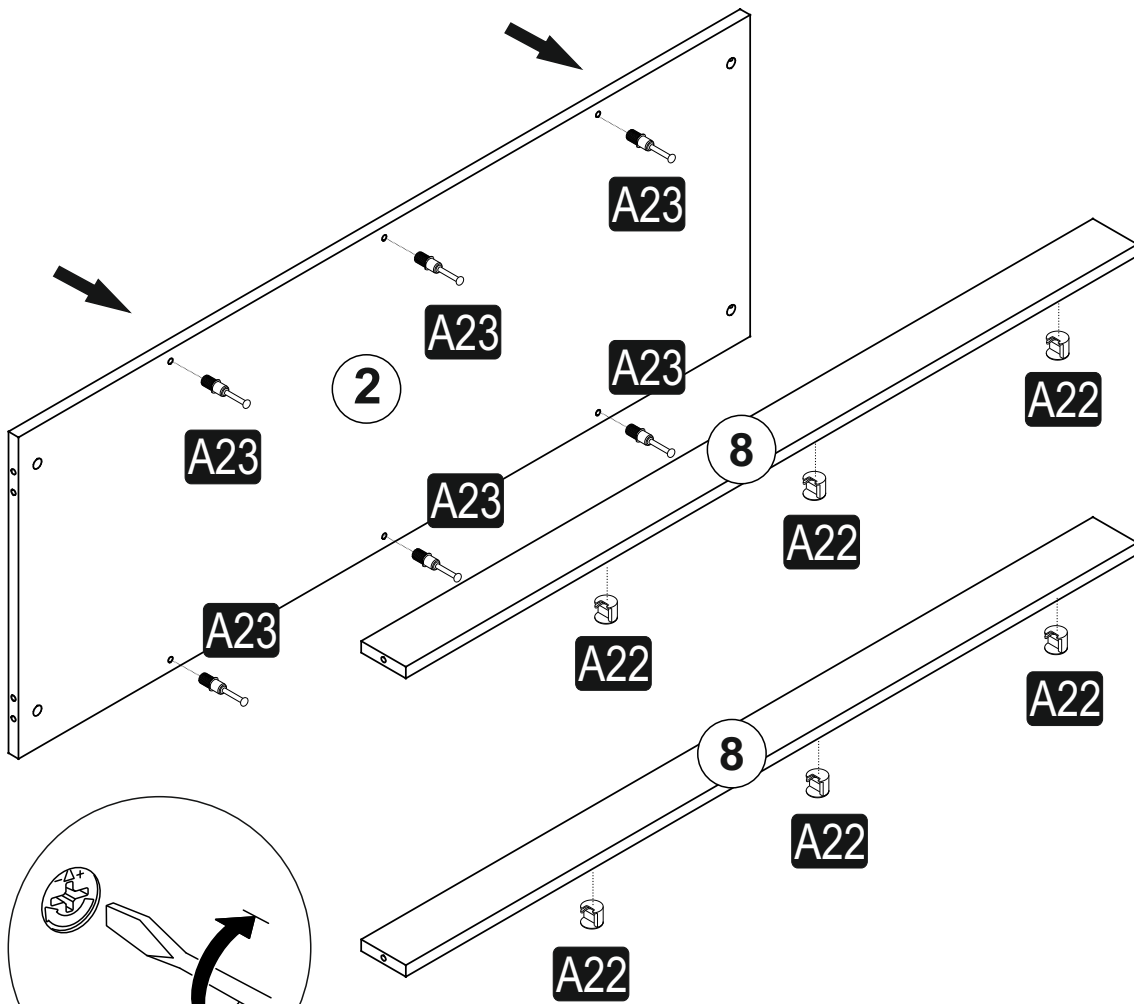
<b>A23</b> Minifix M8 8x34 54x	<b>A22</b> Minifix G18 15x14 54x	<b>A04</b> KVLY 8x30 36x	<b>C01</b> DM 9x	<b>C04</b> MA 9x
<b>A48</b> ARKLK CVS 60x	<b>A64</b> H ARKLIK CTS 1880 mm 1x	<b>R07</b> BLY RAY 17x438 2x	<b>V30</b> MTRK VD 4x15 4x	<b>A24</b> FLNS 2x
<b>V10</b> RFIX 20x14 4x	<b>V11</b> RFIX VD 5x13 4x	<b>A17</b> 4x50 8x	<b>A18</b> 3,5x18 48x	<b>A55</b> AB 854mm 1x
				<b>A06</b> 18 mm ANTRST 50x

## GENERAL VIEW

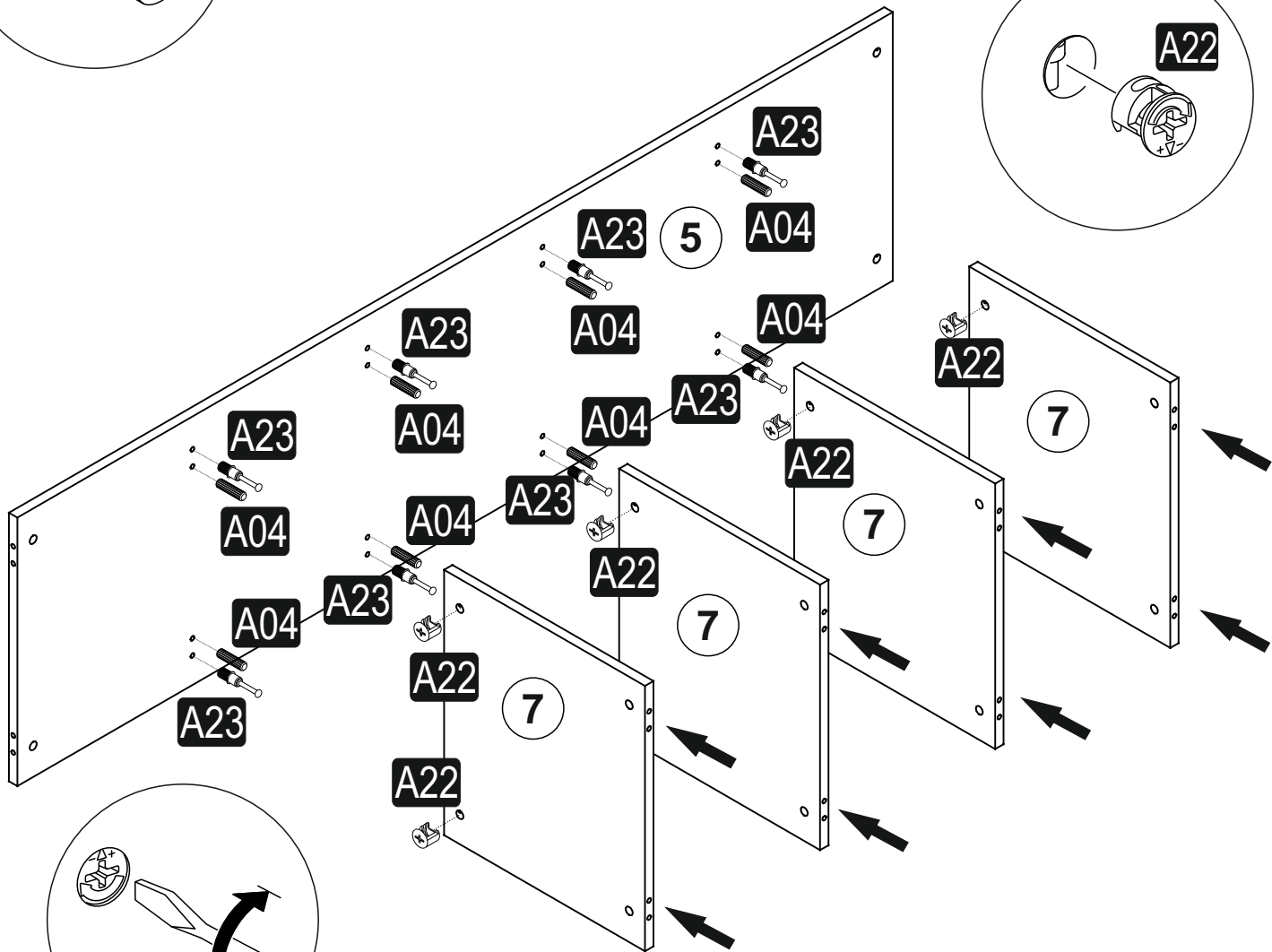


.01	1	1350	500	18
.02	1	1314	500	18
.03	1	1980	500	18
.04	1	1980	500	18
.05	1	1882	500	18
.06	1	864	500	18
.07	4	432	494	18
.08	2	1314	80	18
.09	1	296	500	18
.10	1	296	500	18
.11	2	722	116	18
.12	2	438	96	18
.13	2	438	96	18
.14	2	684	96	18
.15	2	1914	446	18
.16	1	1914	446	18
.17	2	720	444	3
.18	1	1915	456	3
.19	2	1915	444	3
.20	1	1800	350	4

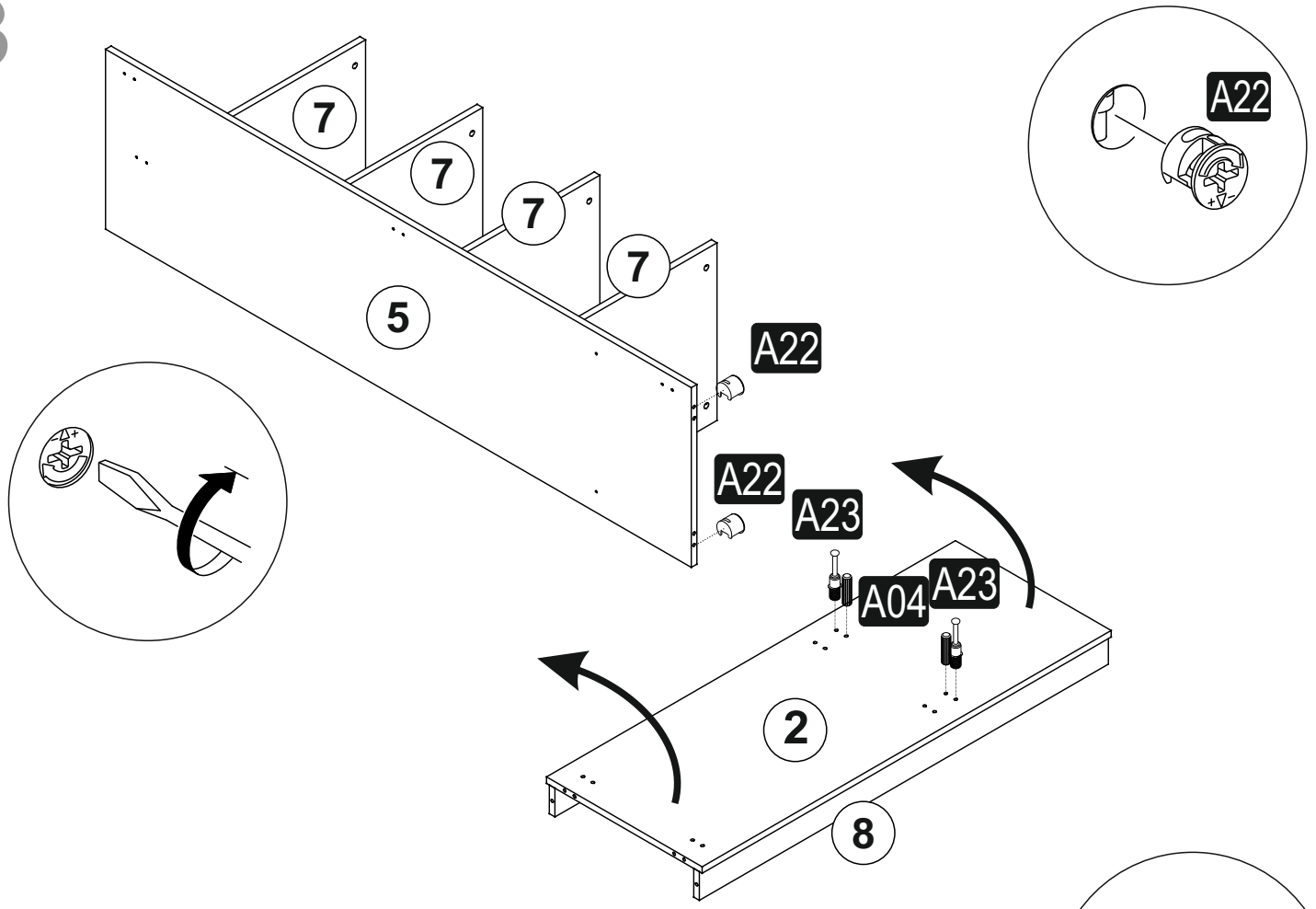
1



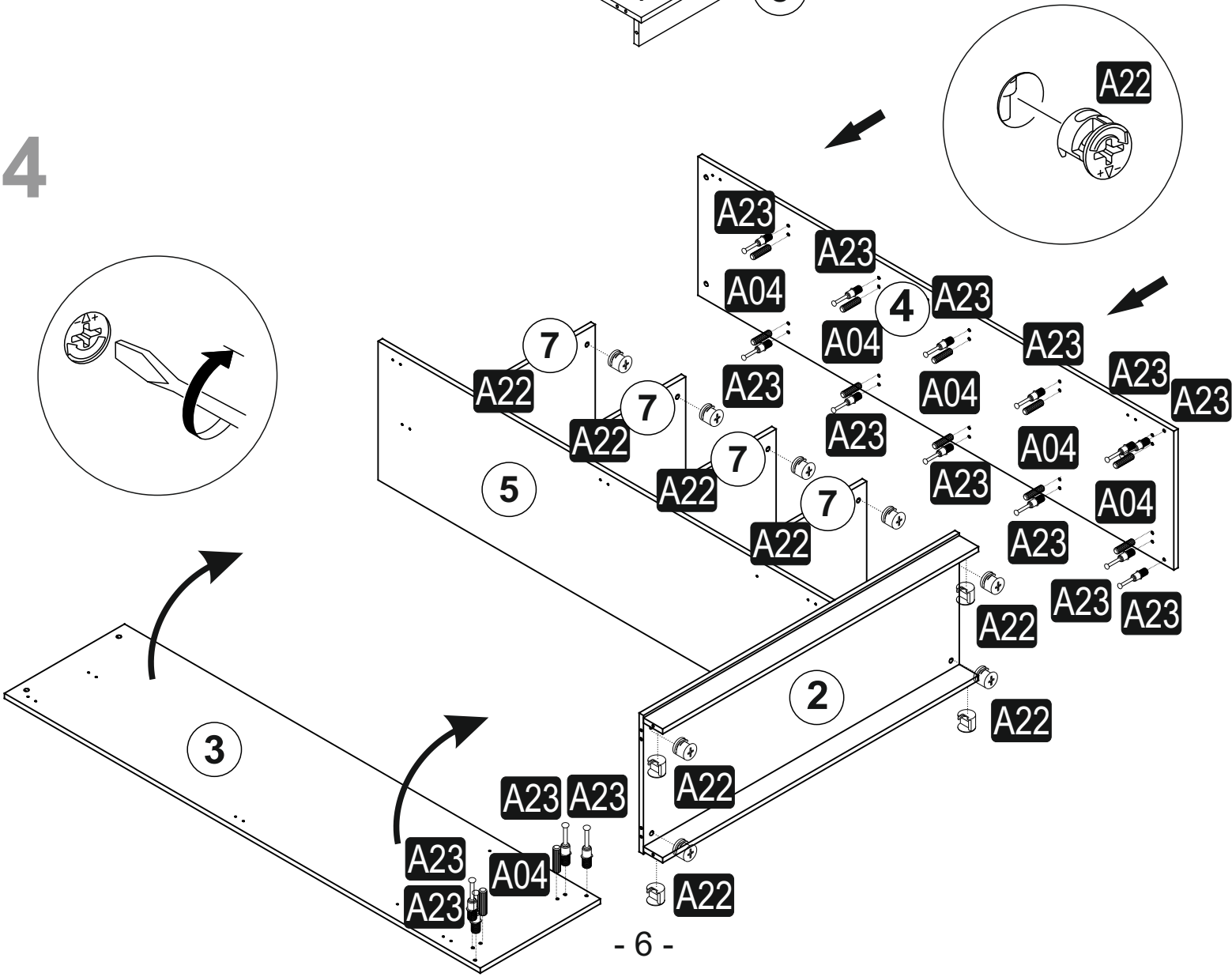
2



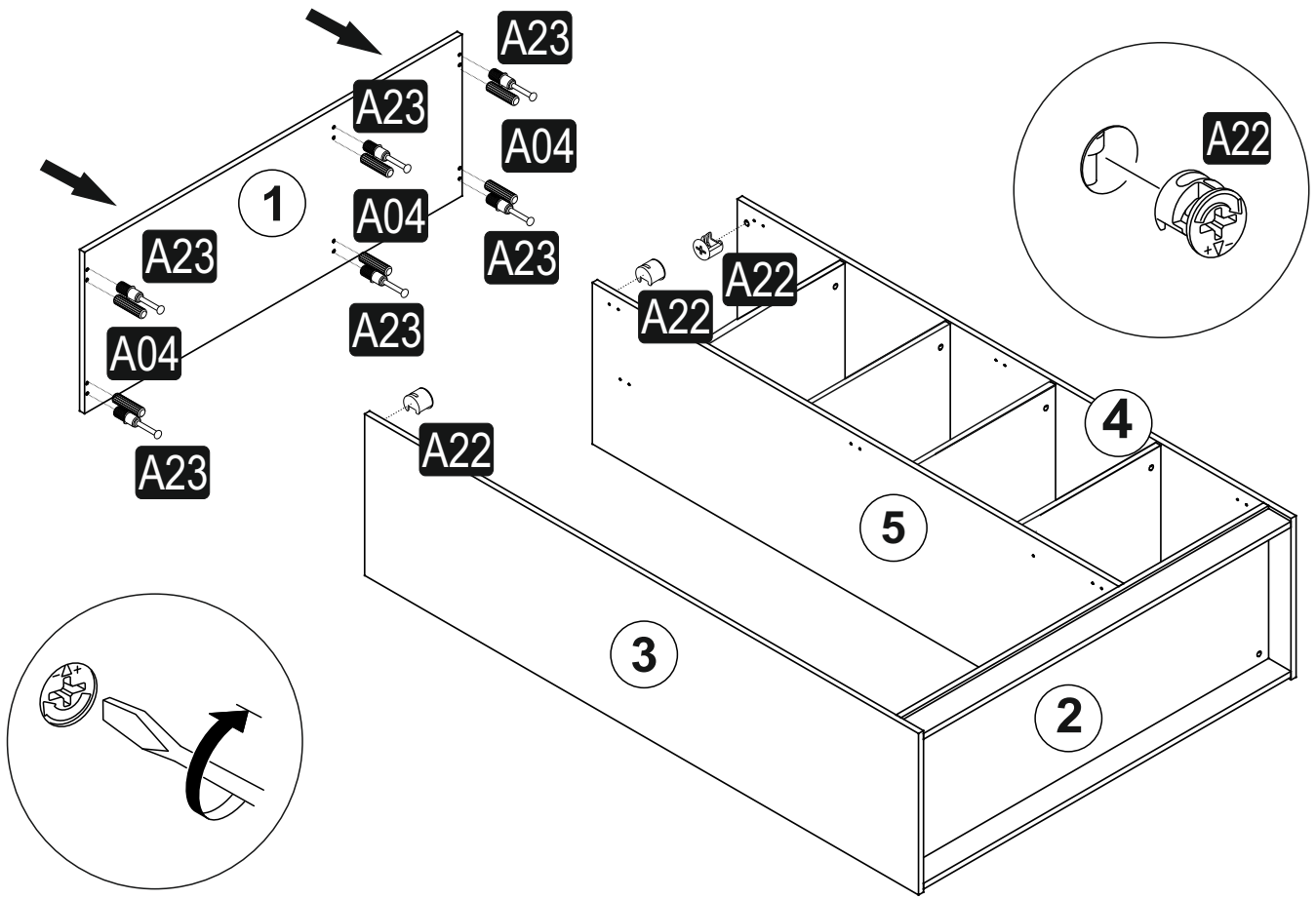
3



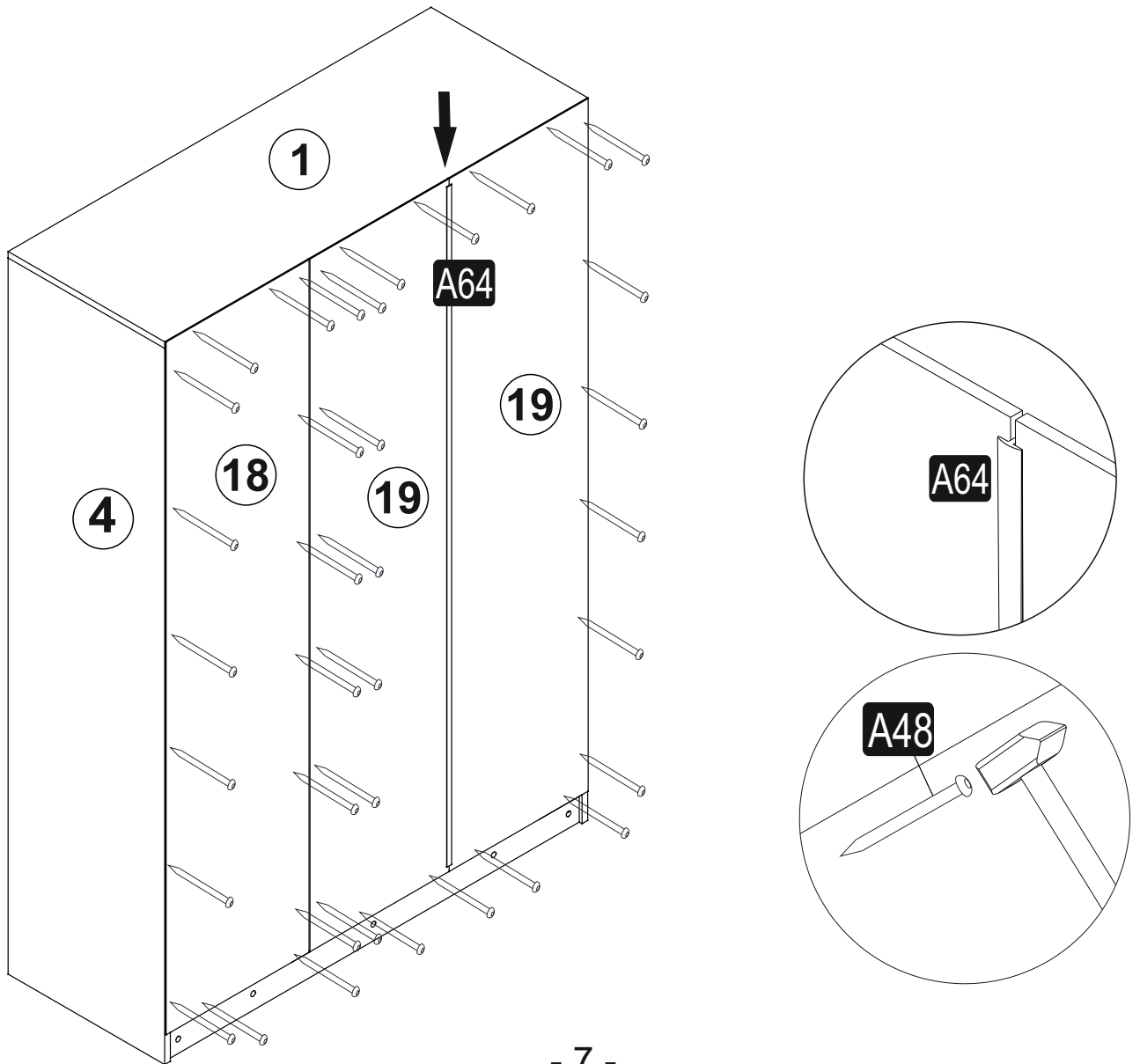
4



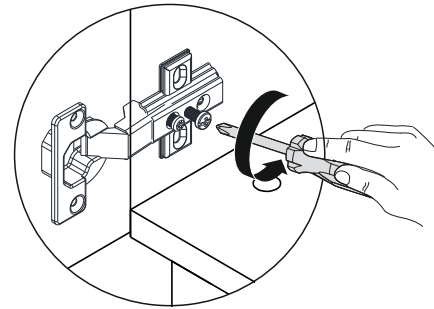
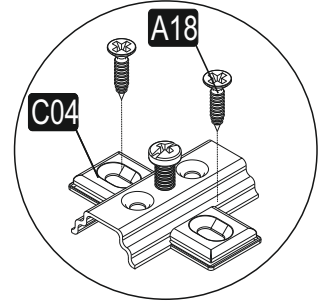
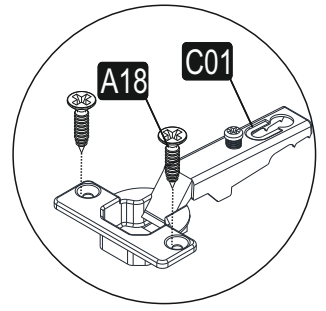
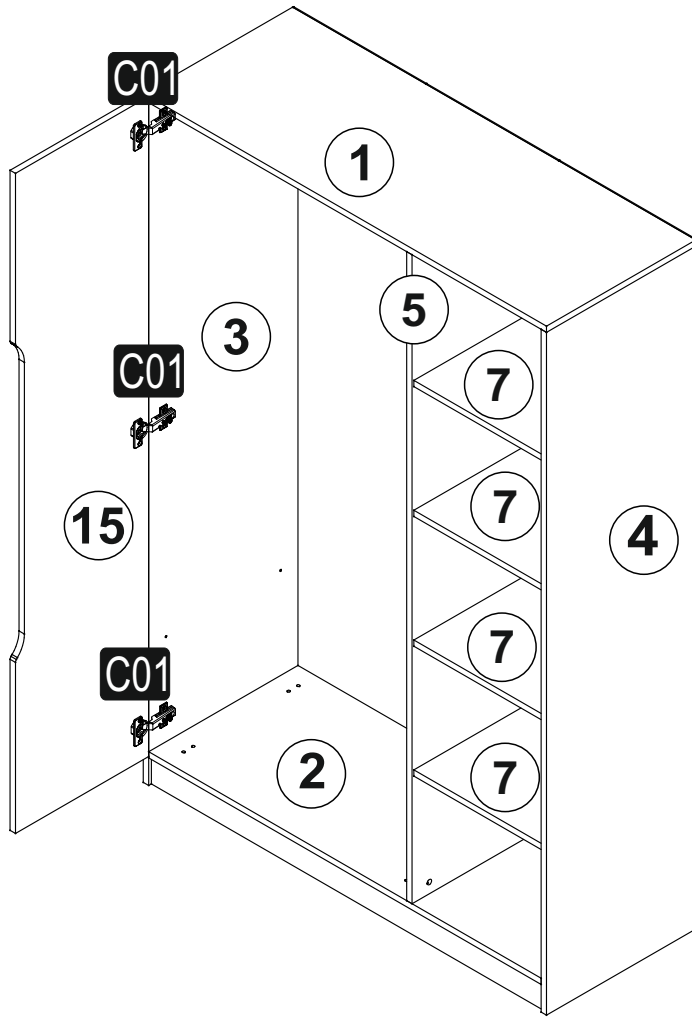
5



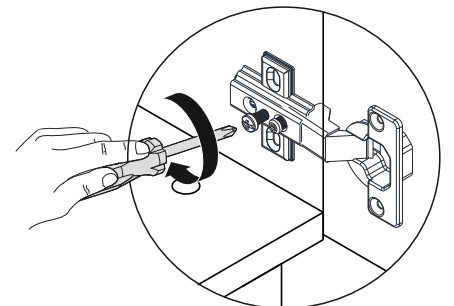
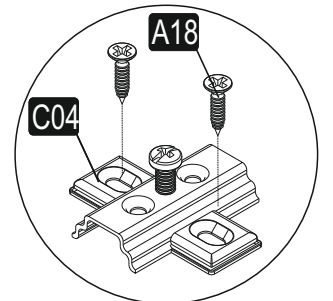
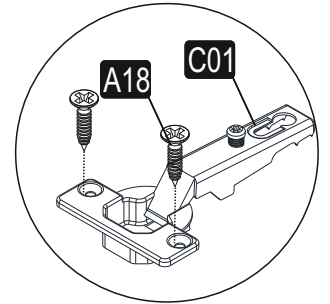
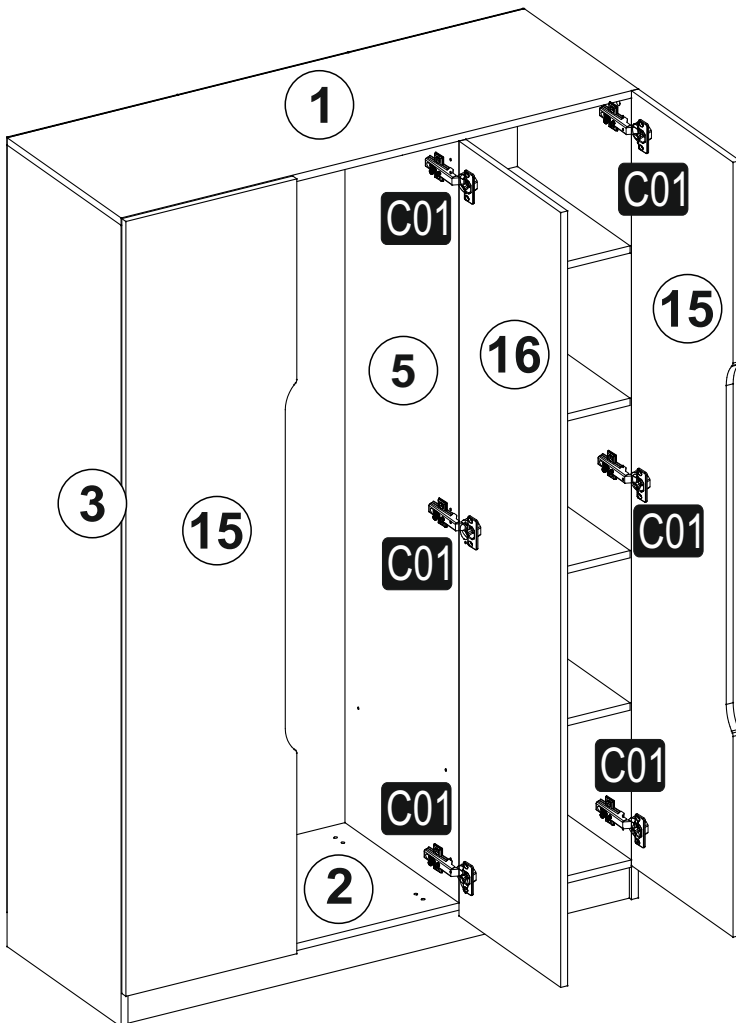
6



7

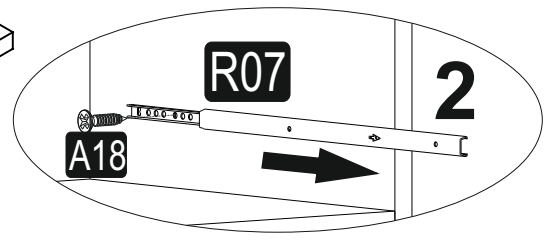
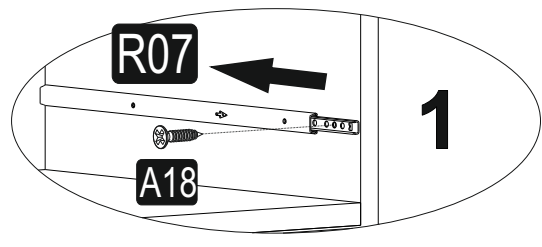
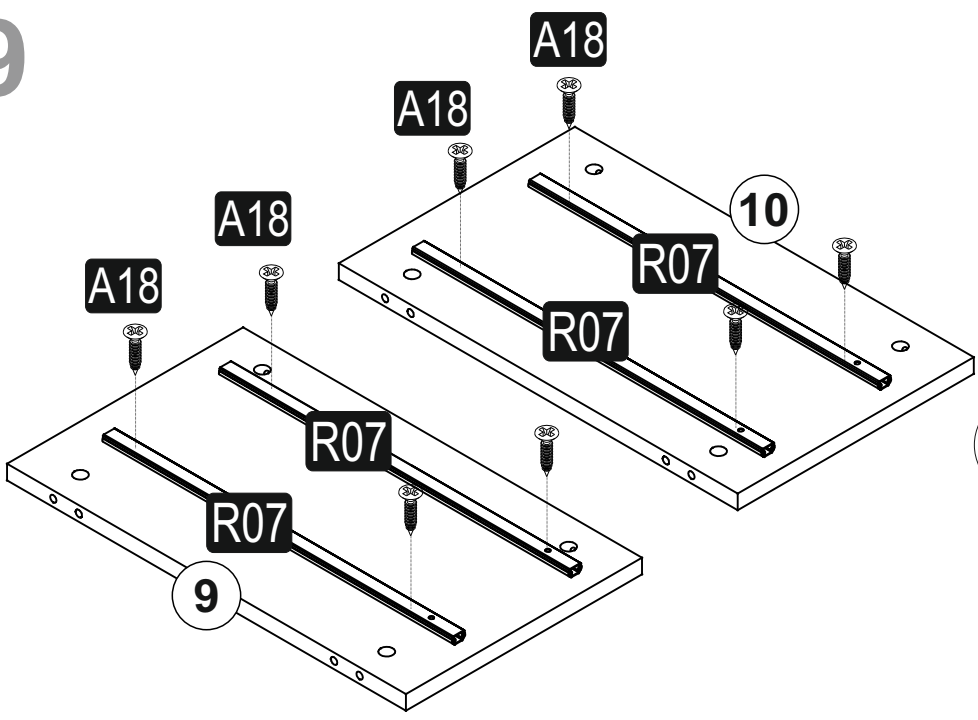


8

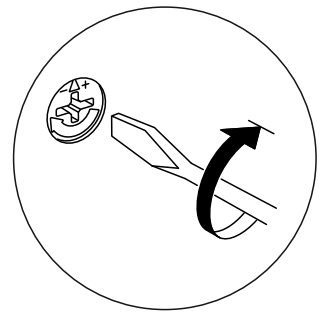
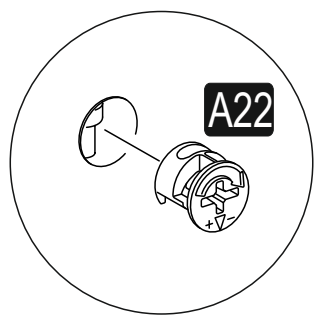
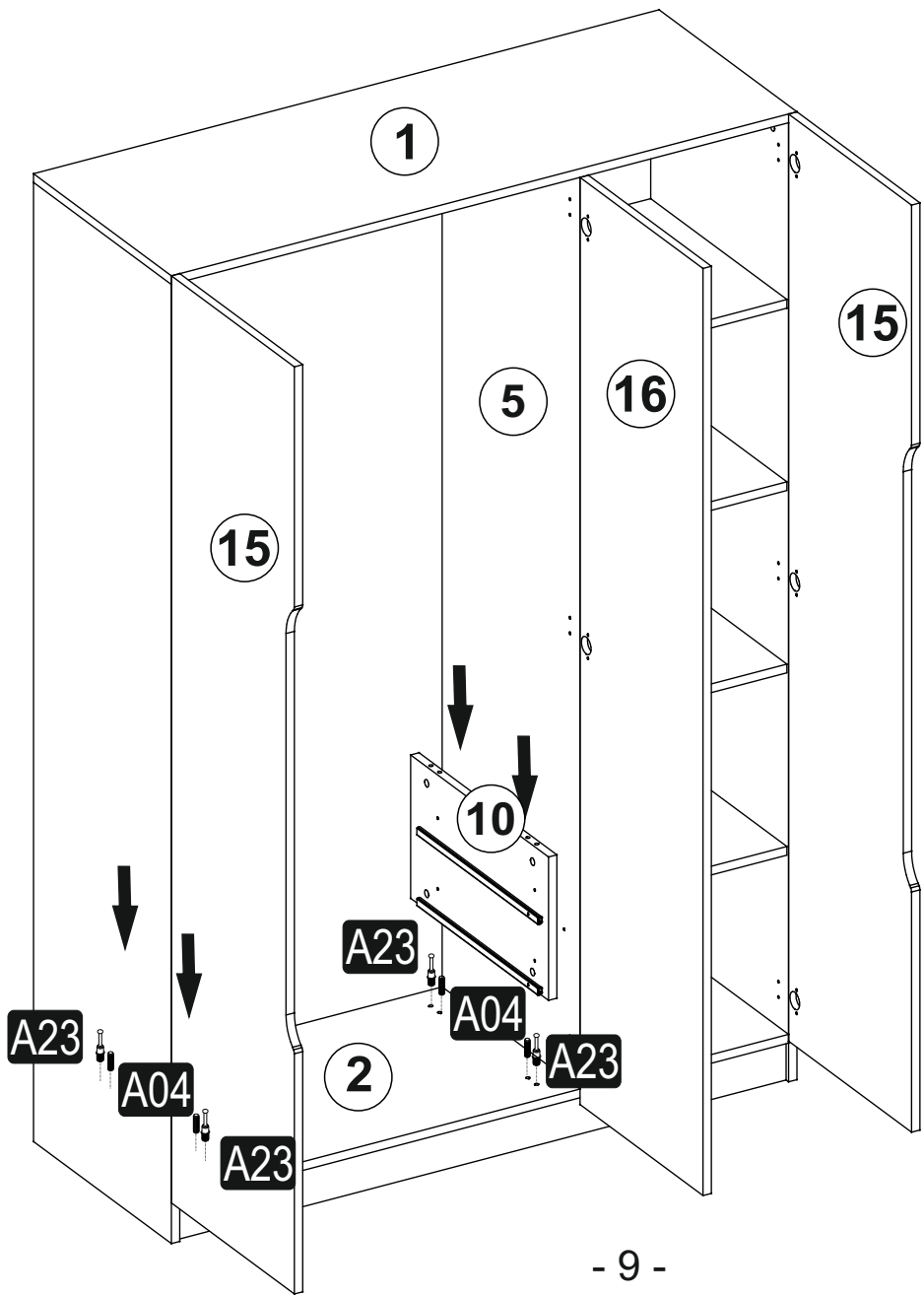




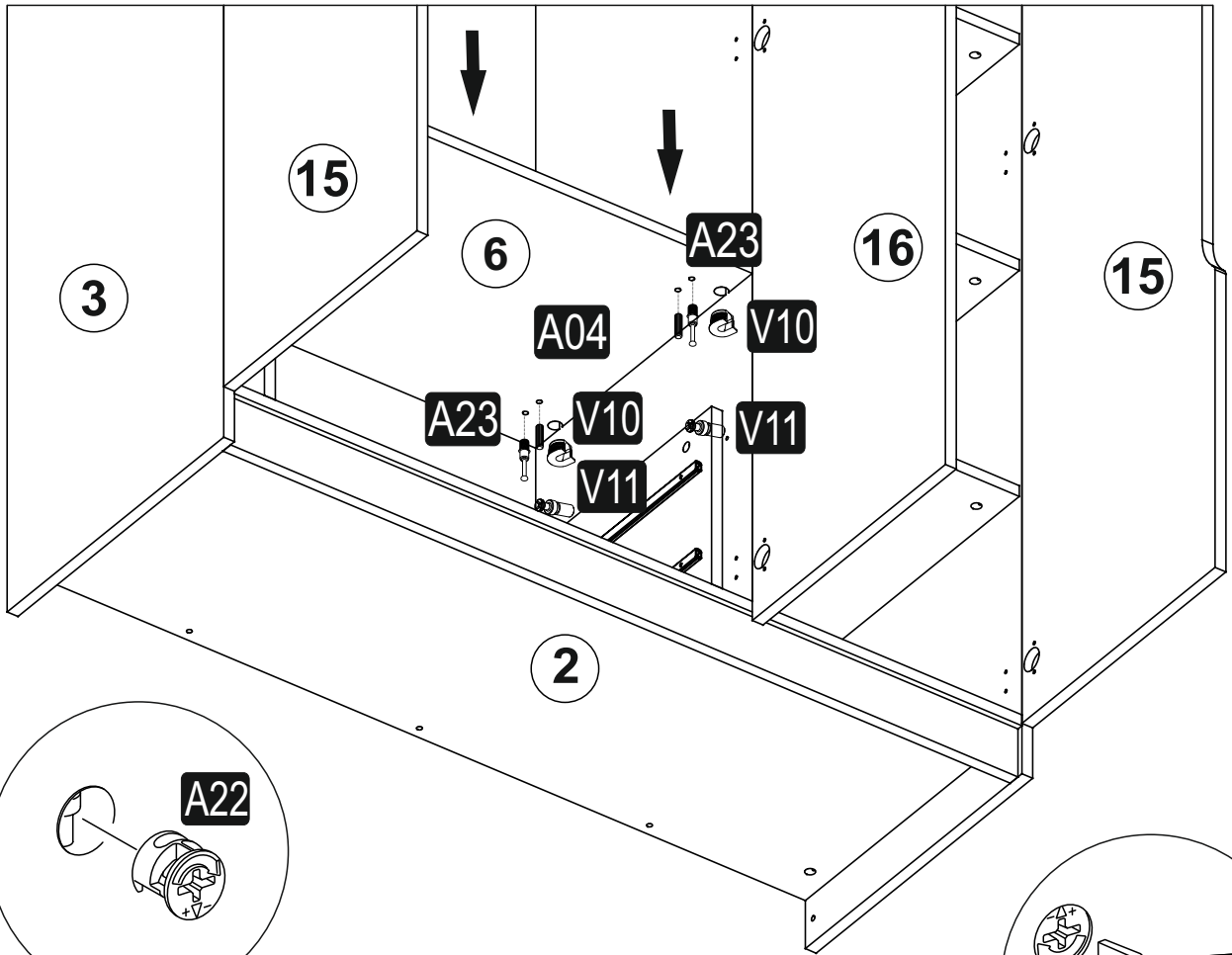
9



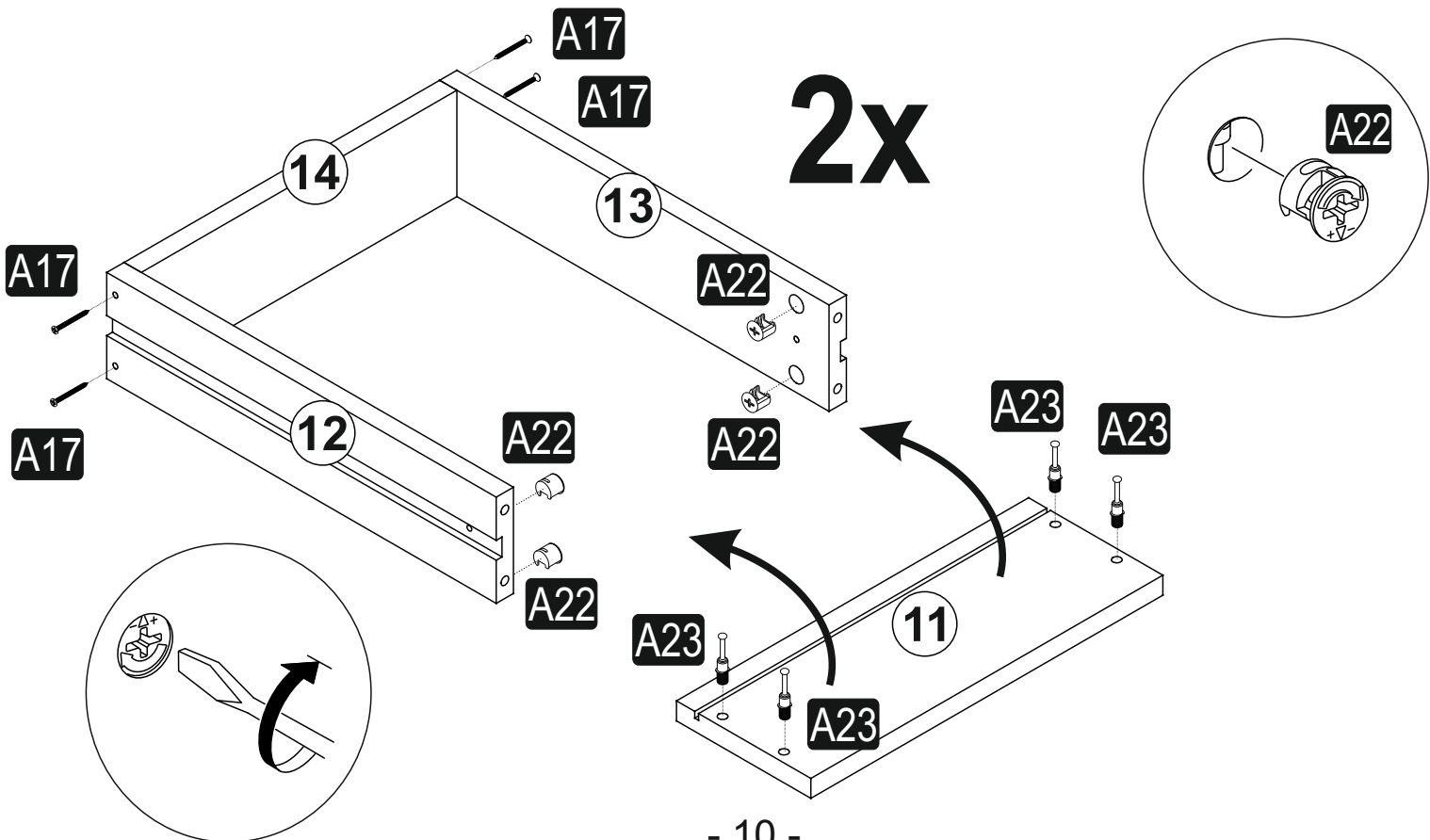
10



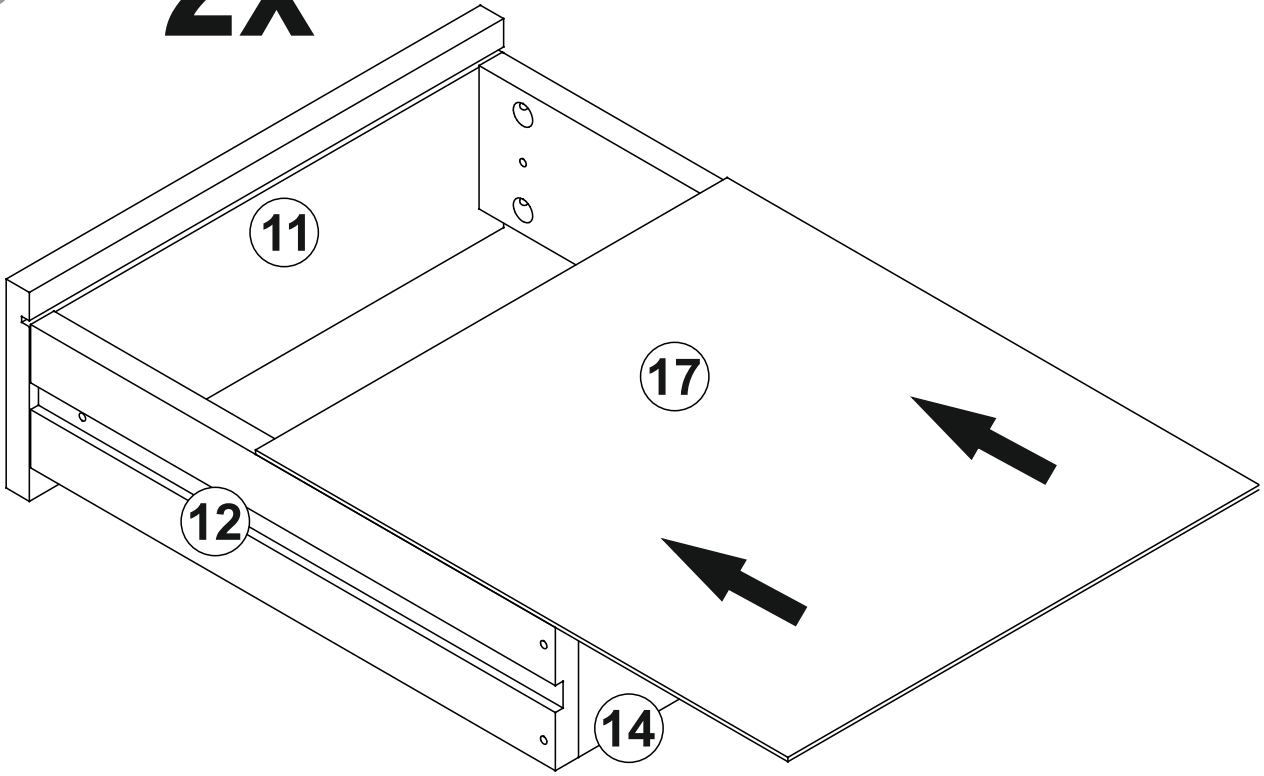
11



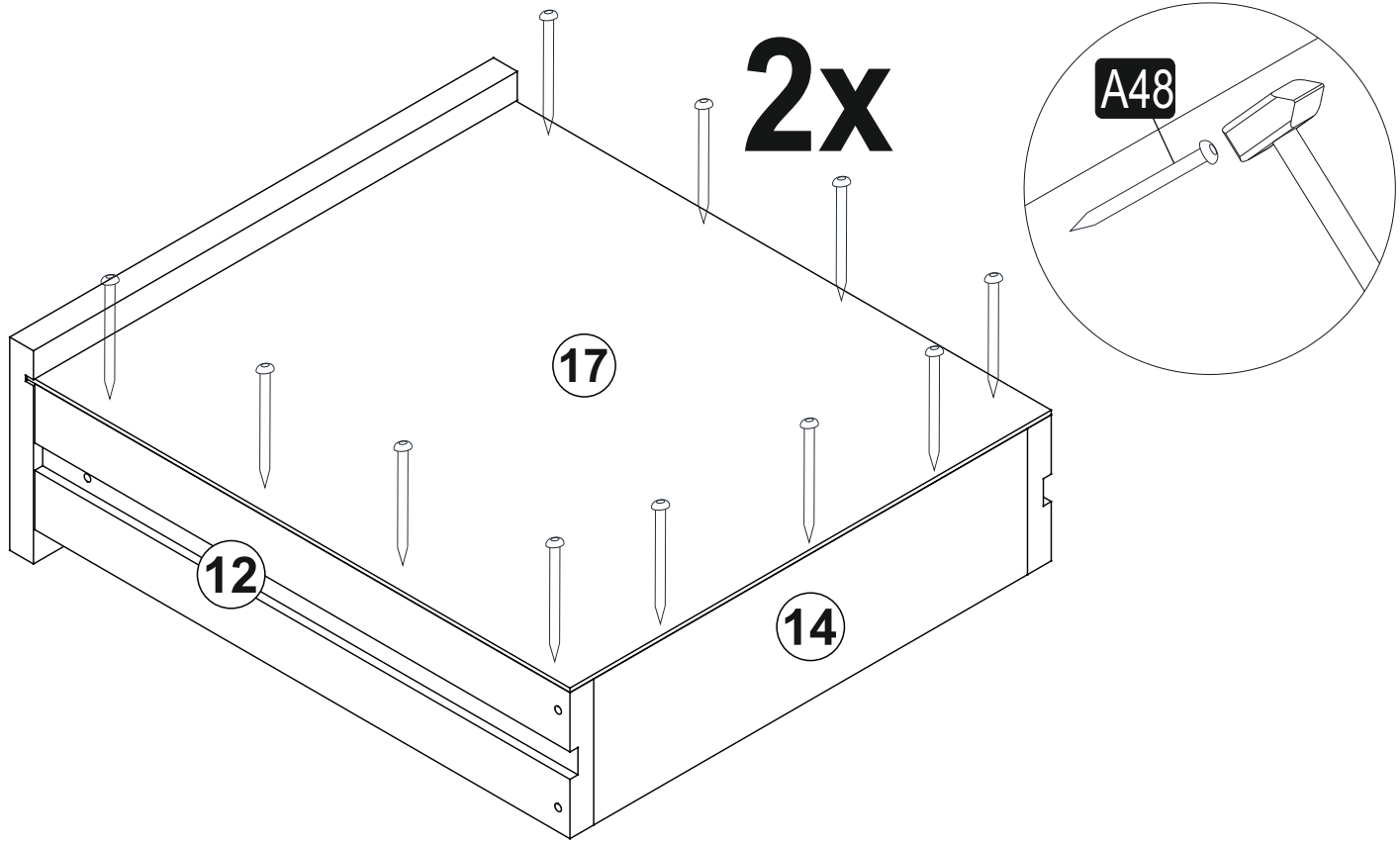
12



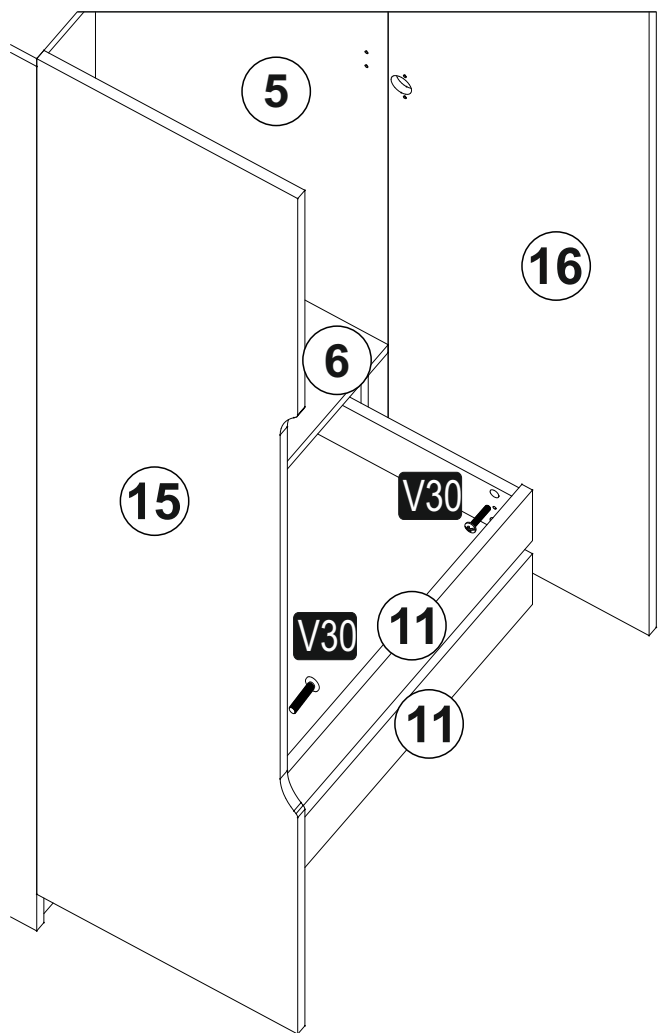
13 **2x**



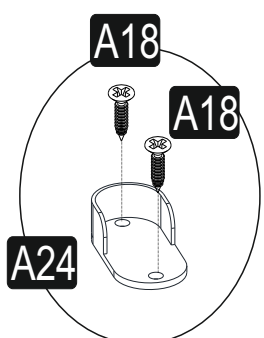
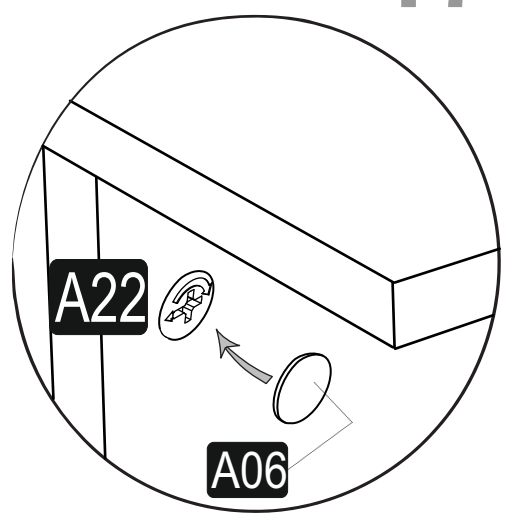
14



15



17



16

