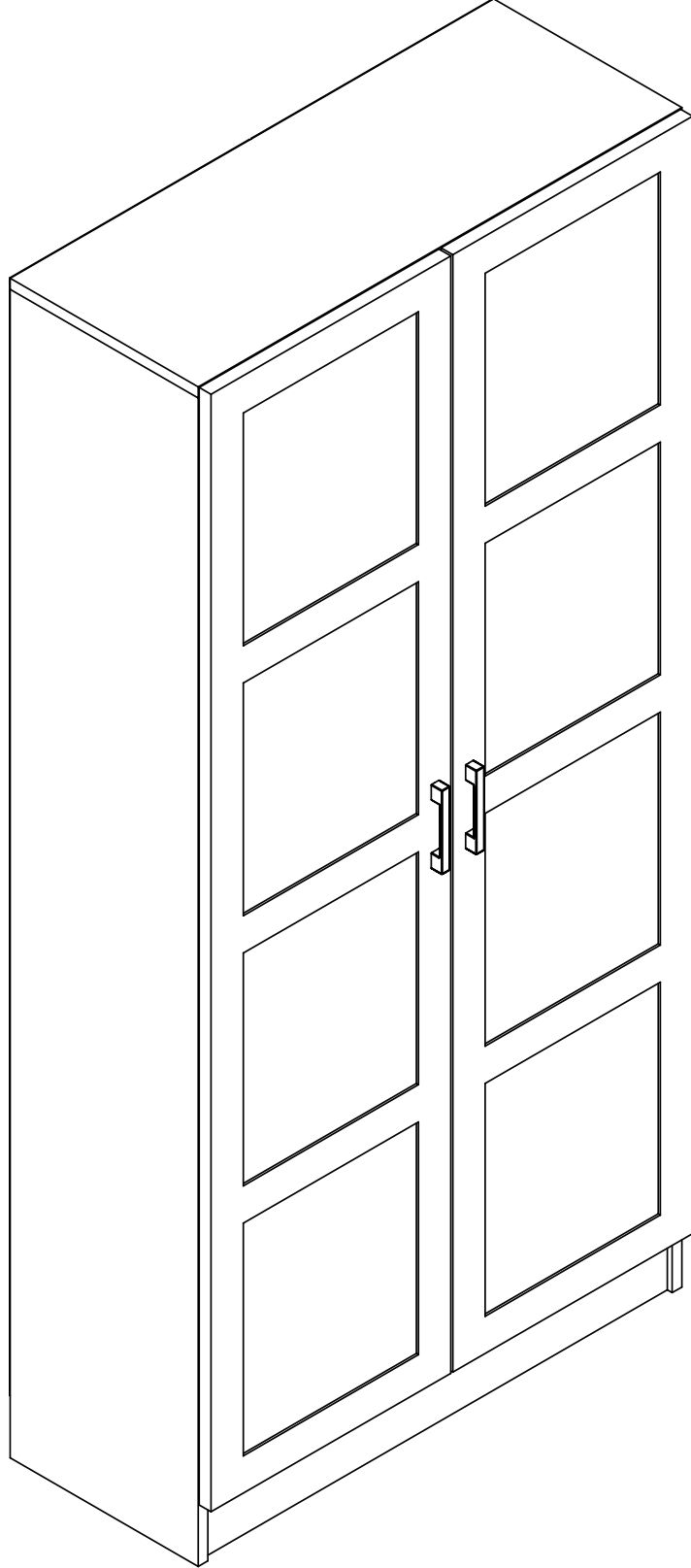


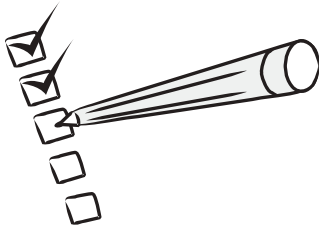
KOÇTAŞ BERLIN PORTMANTO 90X35X190



Dear Customer,

We design and produce our products for people to love and have fun with them as we do.

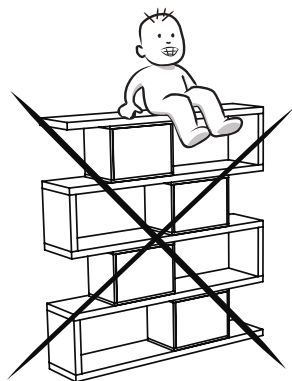
The product you bought was subjected to all sorts of tests and control before sending out to you.



Before start assembling, please check the whole components and accessories according to the lists. If you bought more than one product, to prevent confusion be sure that you completed the first product. Then start the other product's assembling.



Before start assembling, please clean all the components with a damp cloth. Also for usual cleaning, this will be enough.

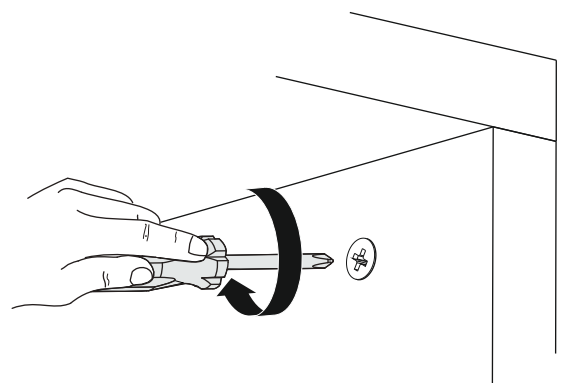
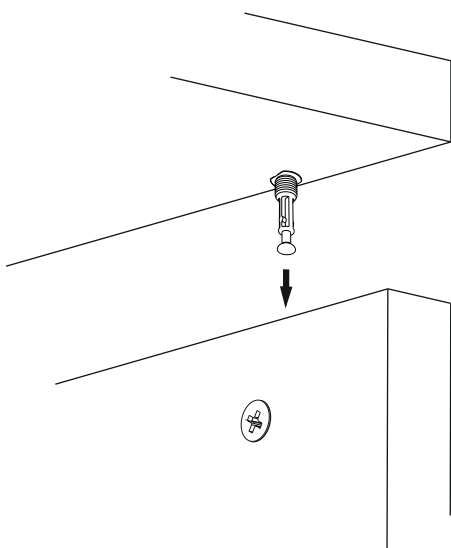
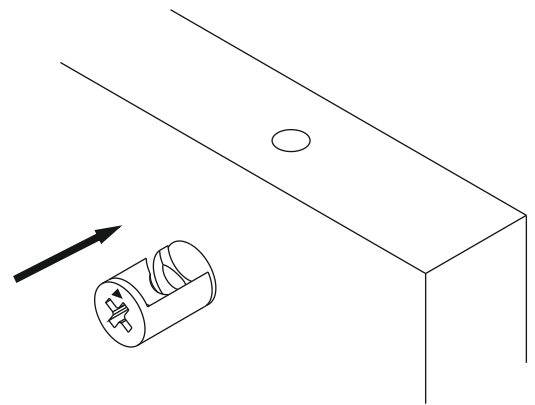
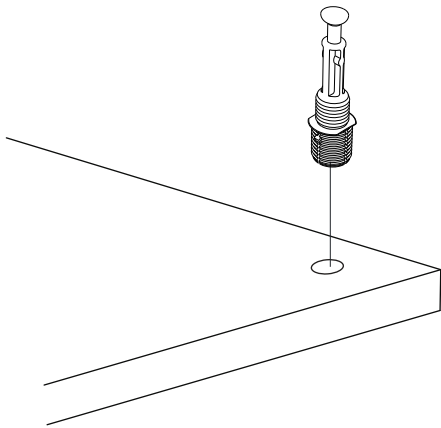
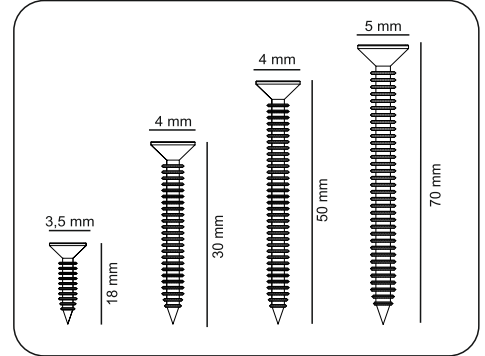
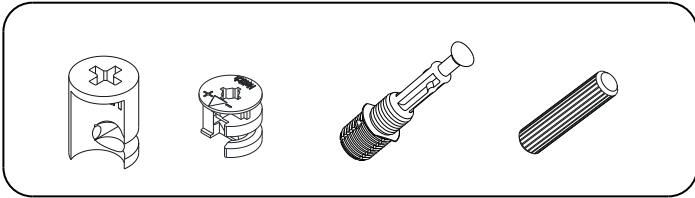


Do not use your furniture for out of purposes. If you would like to use it, please contact us for further questions.

Do not directly contact your furniture with excessive heat, cold and humidity because the product can be affected..

ATTENTION !!

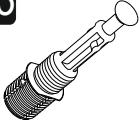
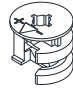
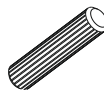

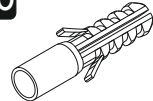

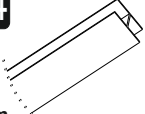
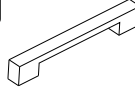
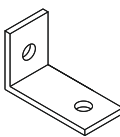

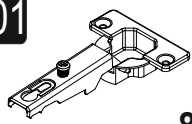
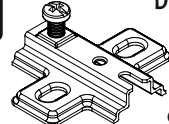
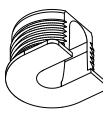
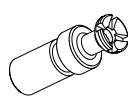
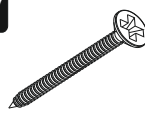
Minifix is the main connection material used in products. Before starting assembly, please check the drawings below.



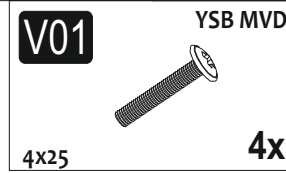
ACCESSORY LIST

KOCTAS BERLIN PORT 90X35X190

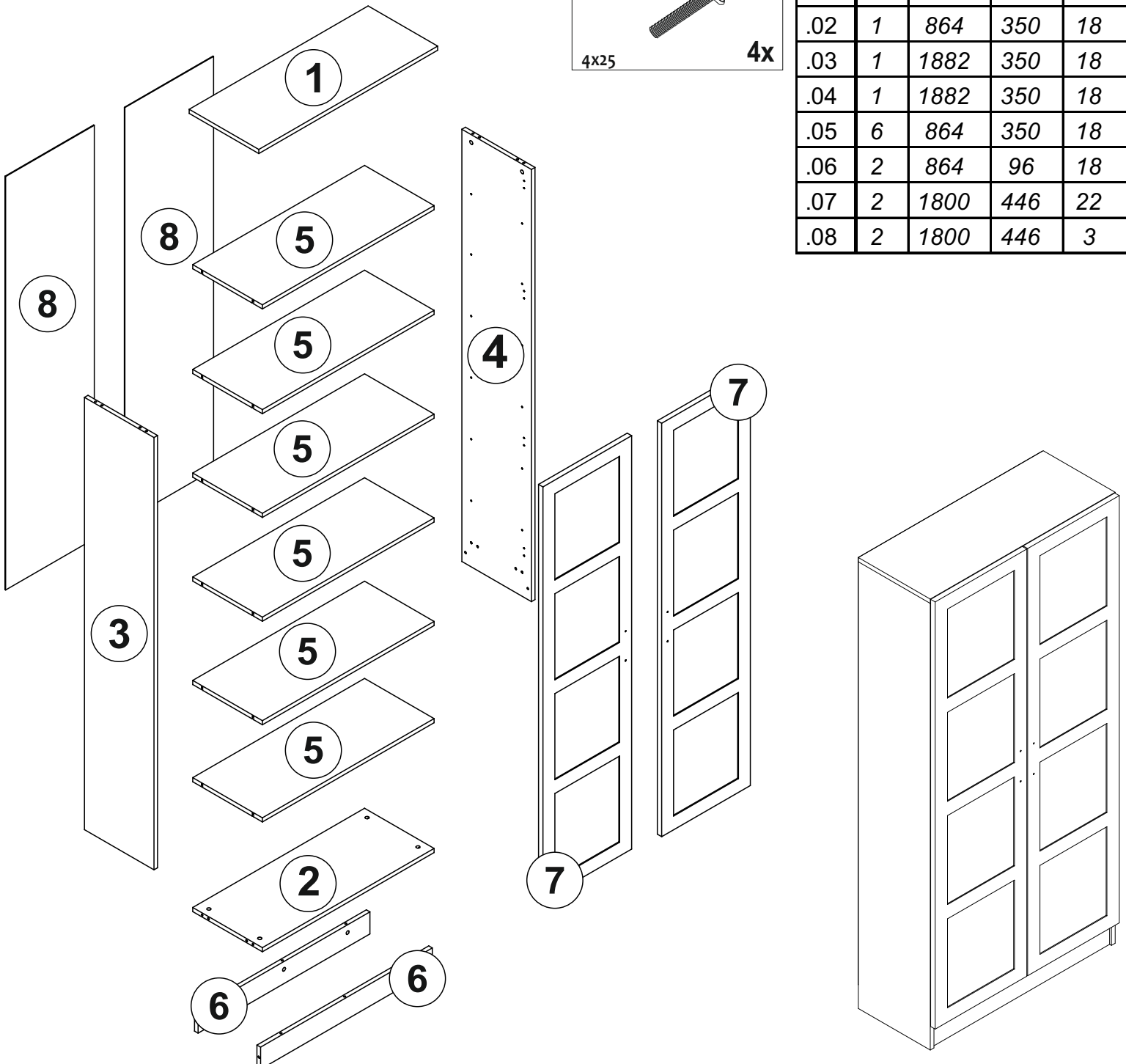
08813

A23 Minifix M8  8x34 14x	A22 Minifix G18  15x14 14x	A04 PLSTK KVLV  8x30 12x	A06 TAPA  BYZ 18 mm 14x	A16 DB 8mm  2x
A48 ARKLNK CVS  26x	A64 H ARKLNK CTS  BYZ 1766 mm 1x	K13 KLP  GLCK 128mm SYH 2x	A35 L ASK  BYZ 60X20 2x	A18 YHB VD  3,5x18 34x
C01 DM  8x	C04 D MA  8x	V10 RFX  MESAN 20x14 24x	V11 RFX VD  MESAN 5x13 24x	A17 YHB VD  4x50 2x

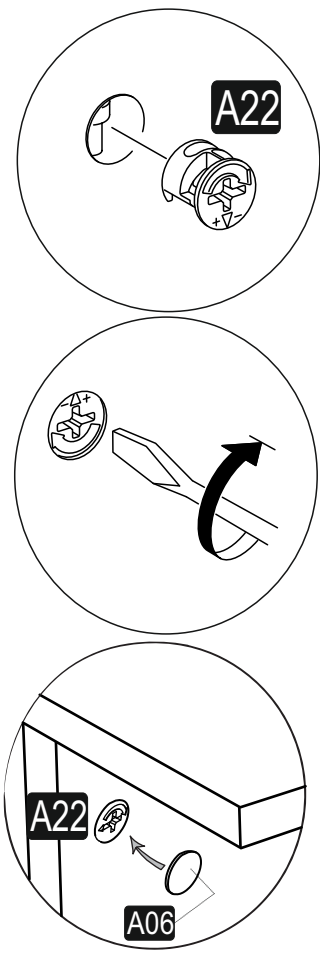
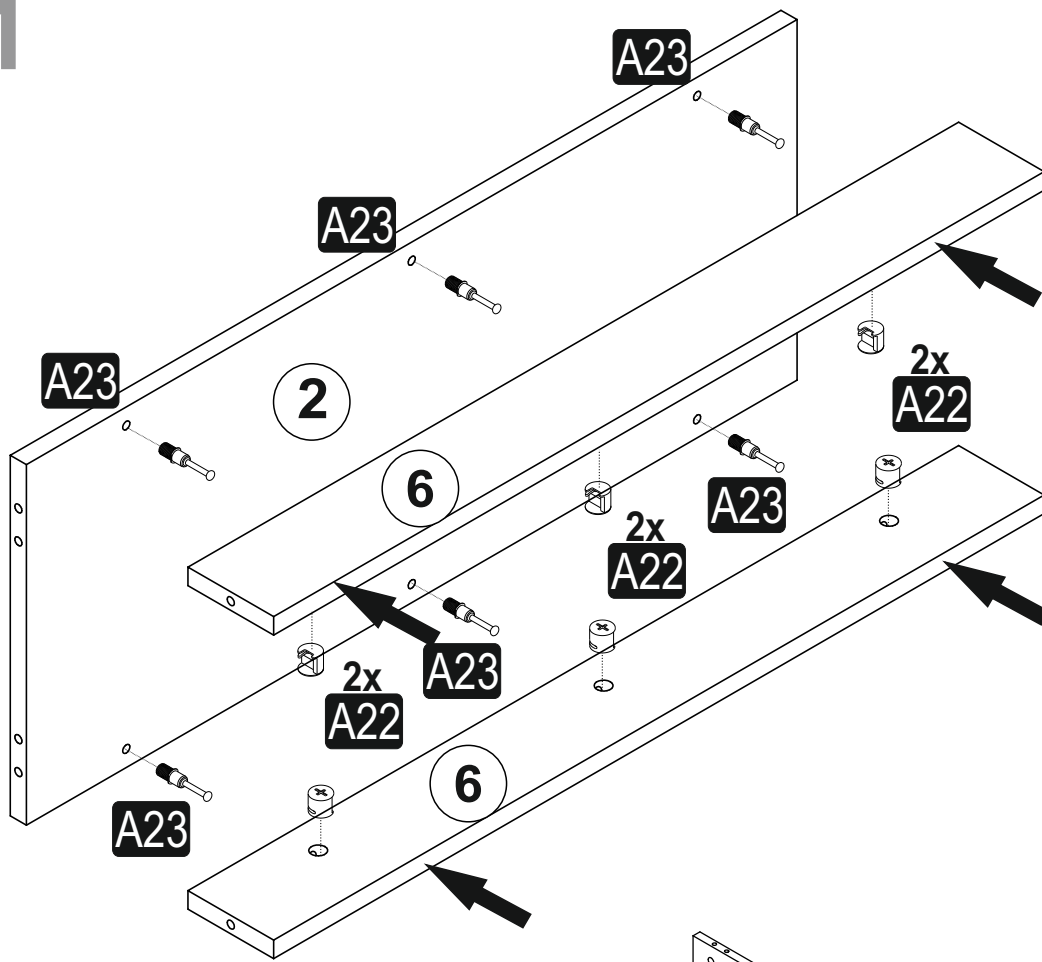
GENERAL VIEW



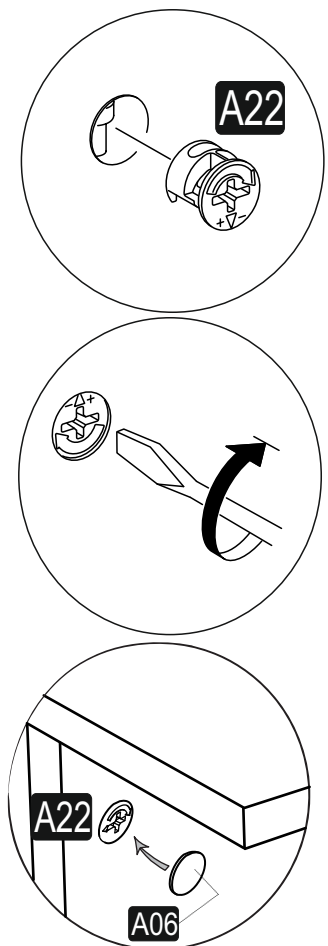
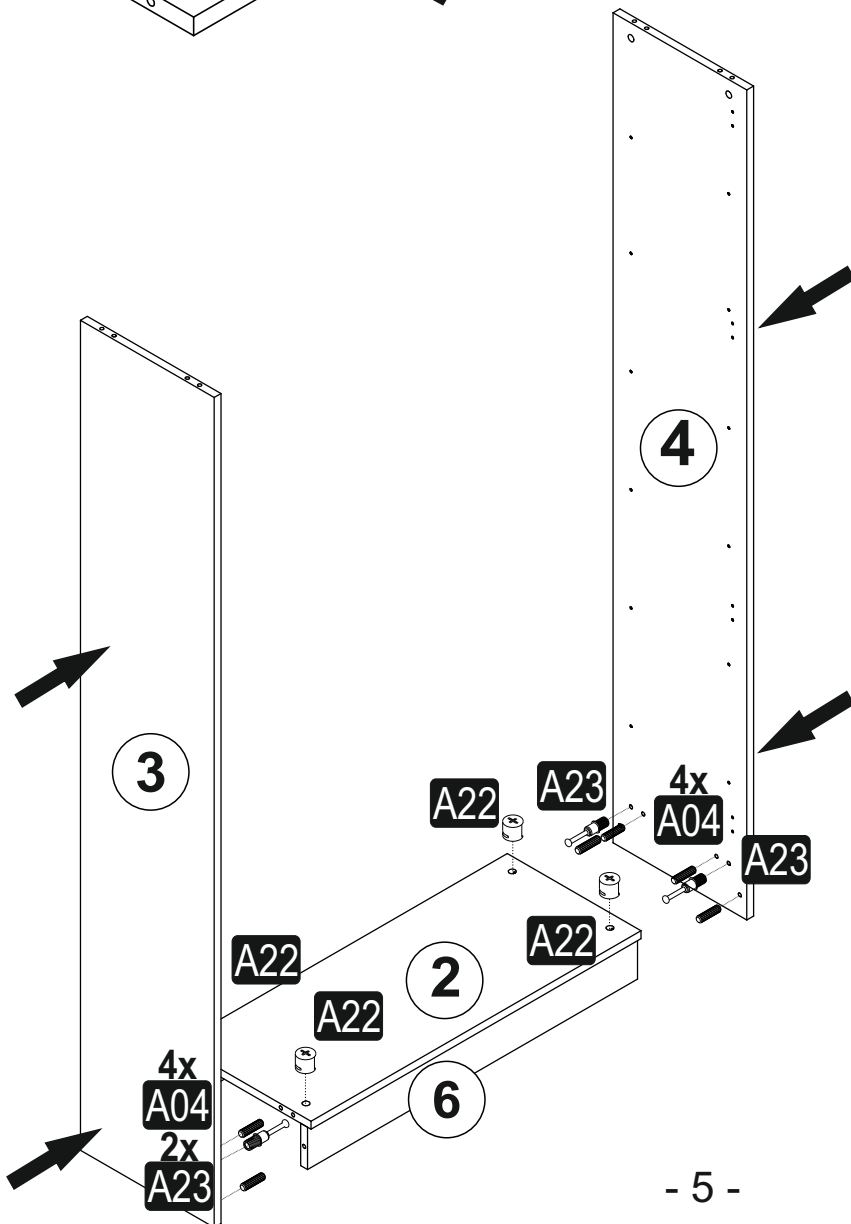
.01	1	900	350	18
.02	1	864	350	18
.03	1	1882	350	18
.04	1	1882	350	18
.05	6	864	350	18
.06	2	864	96	18
.07	2	1800	446	22
.08	2	1800	446	3



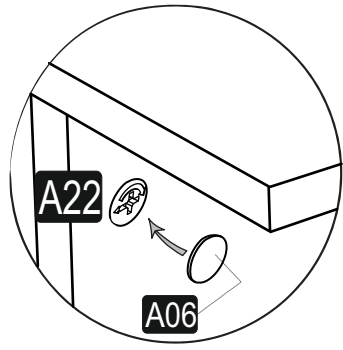
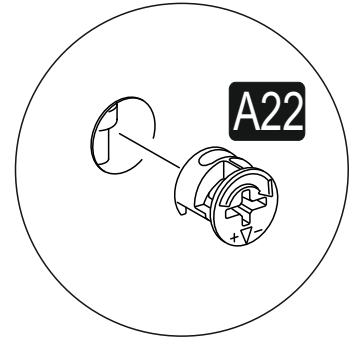
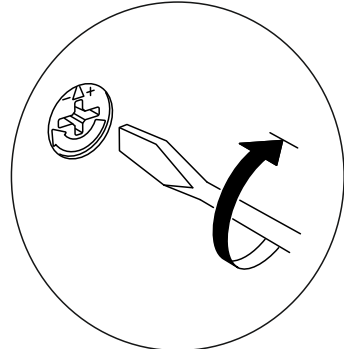
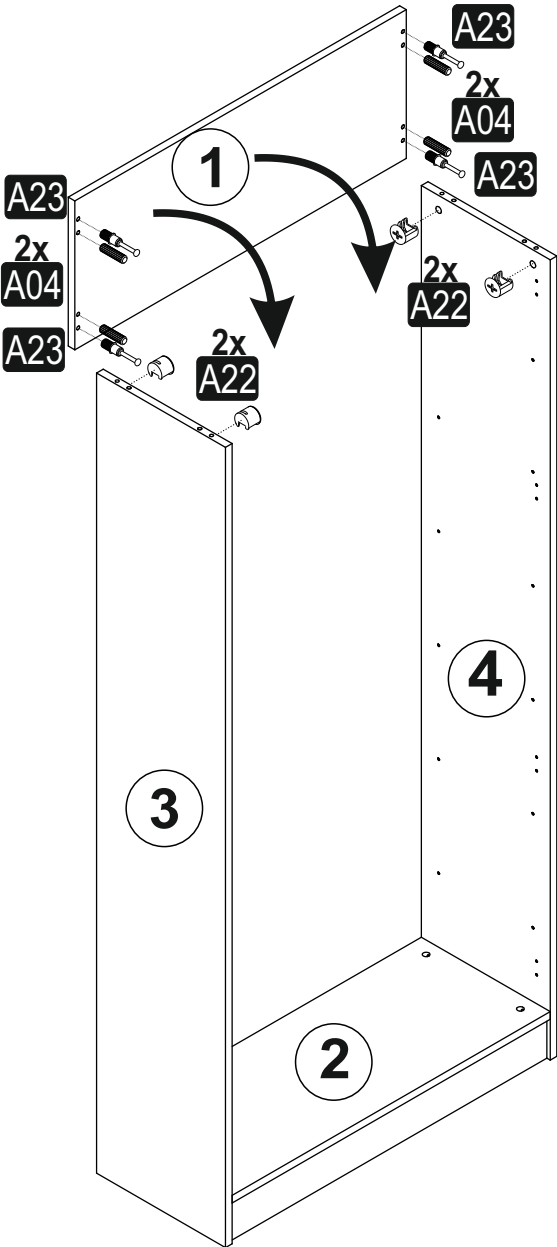
1



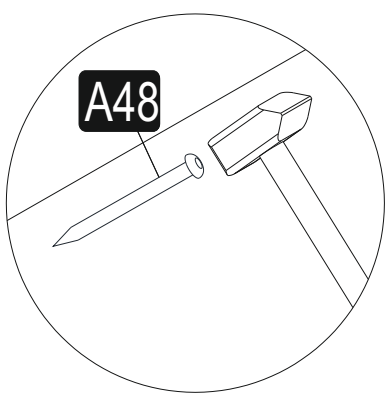
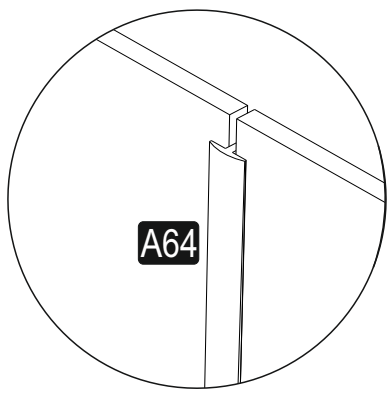
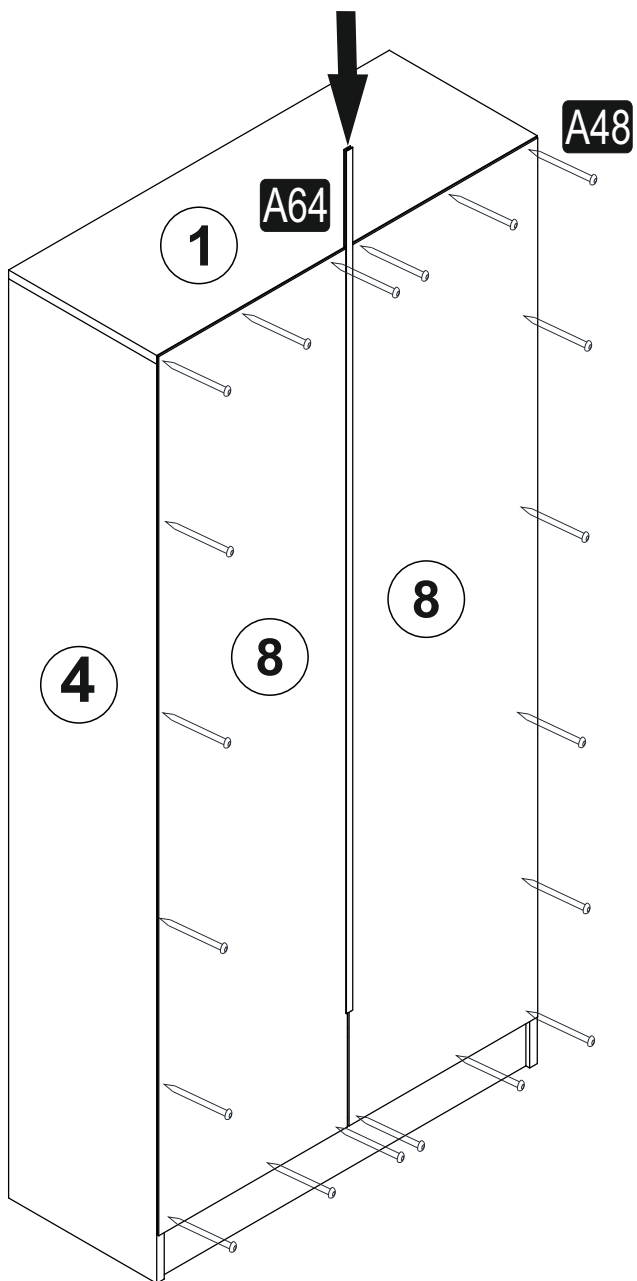
2



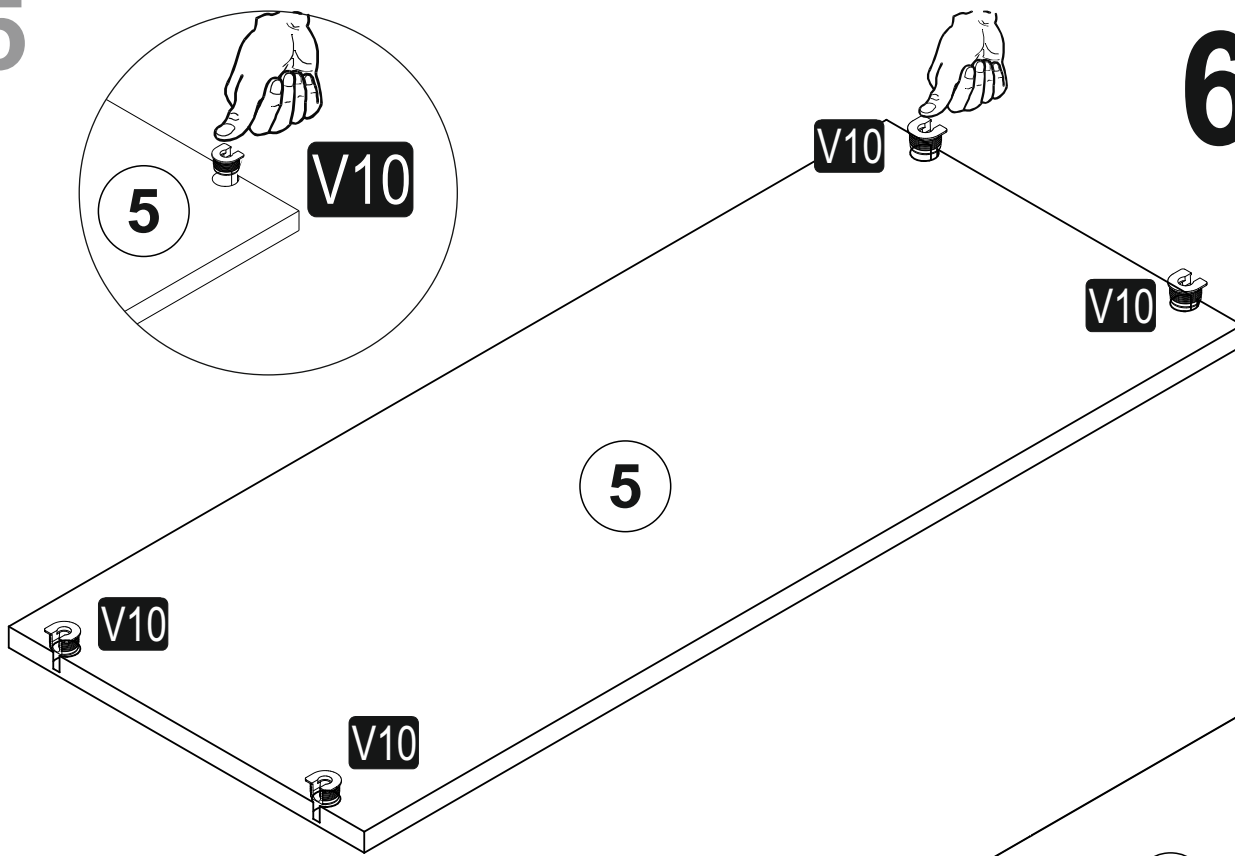
3



4

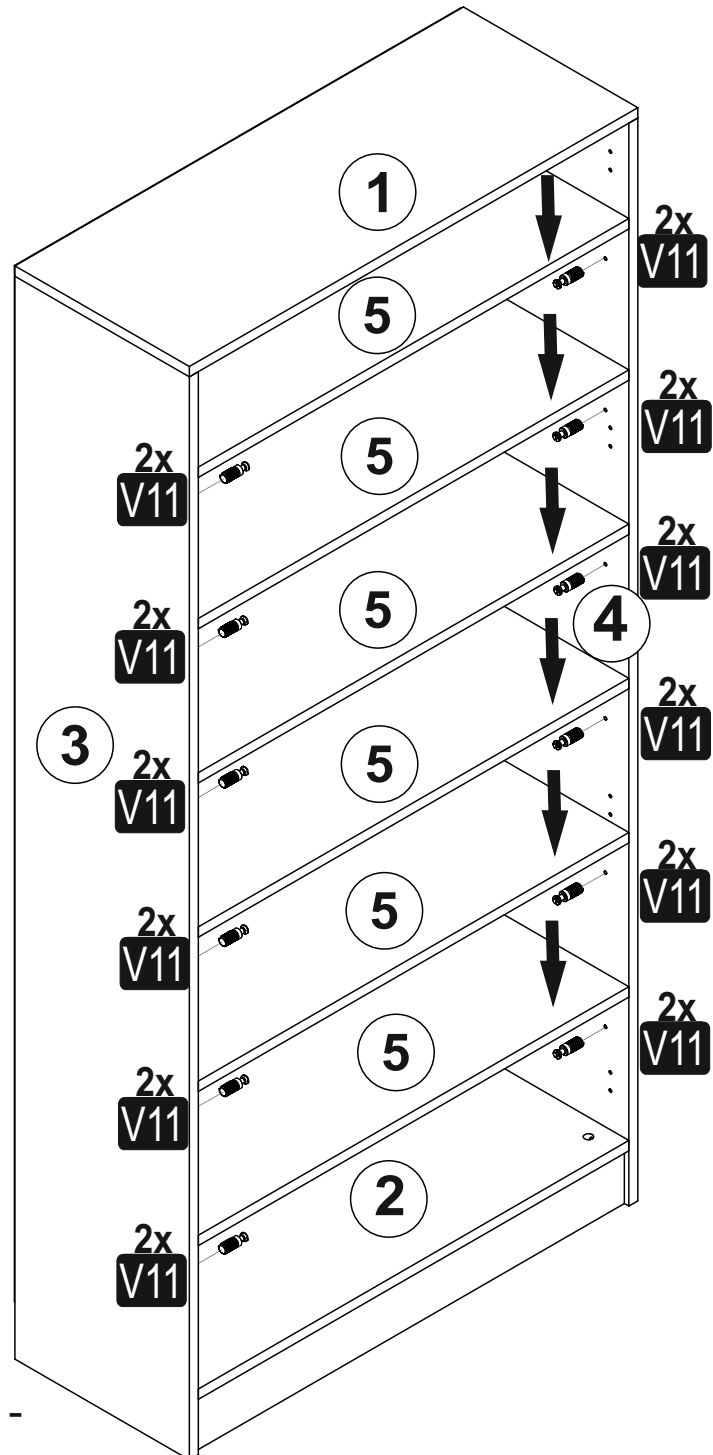
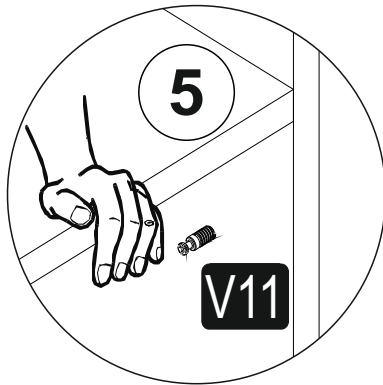
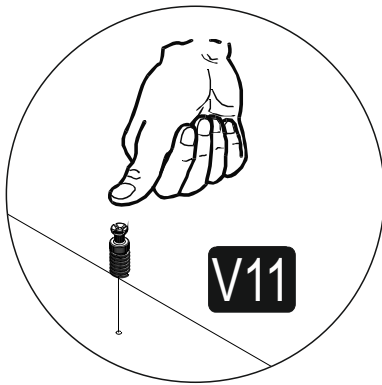


5

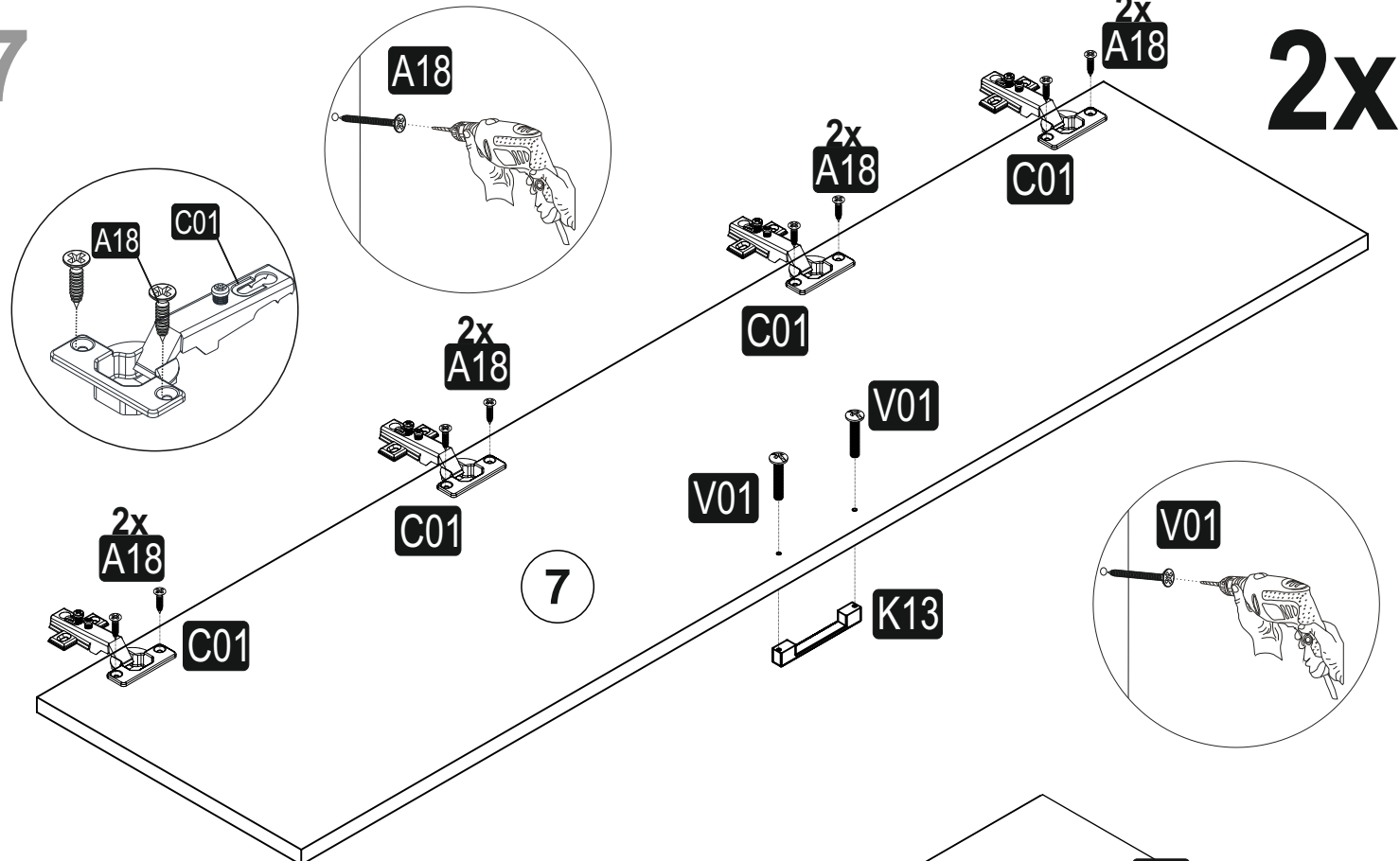


6x

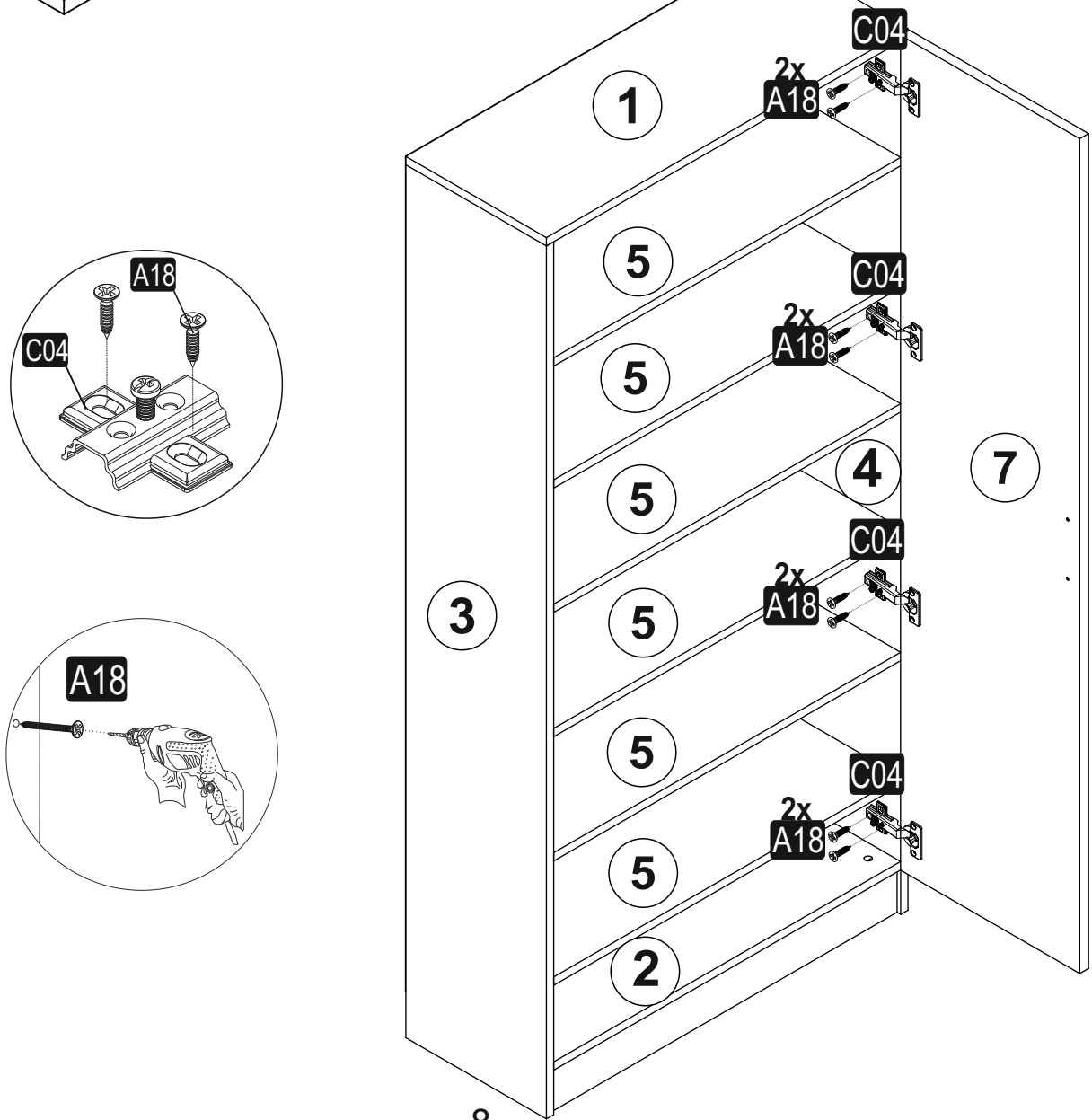
6



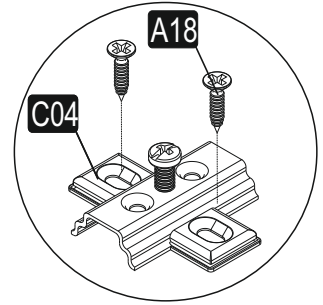
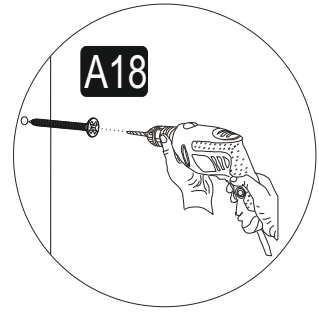
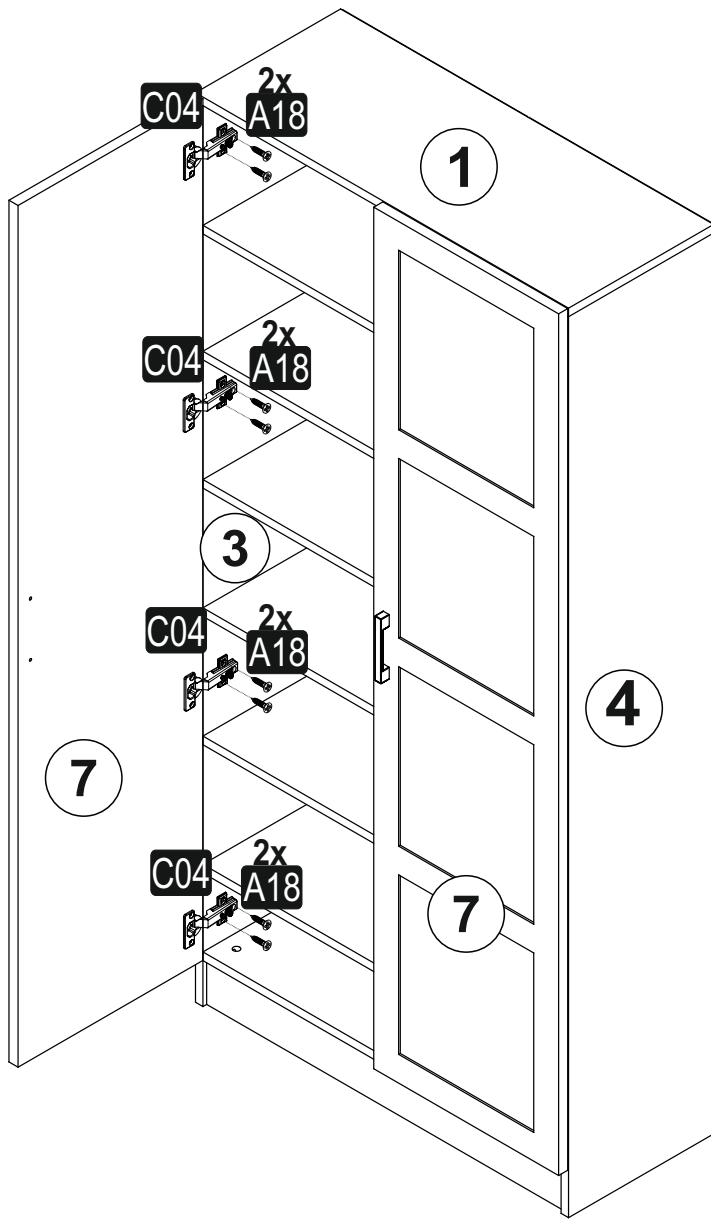
7



8



9



10

