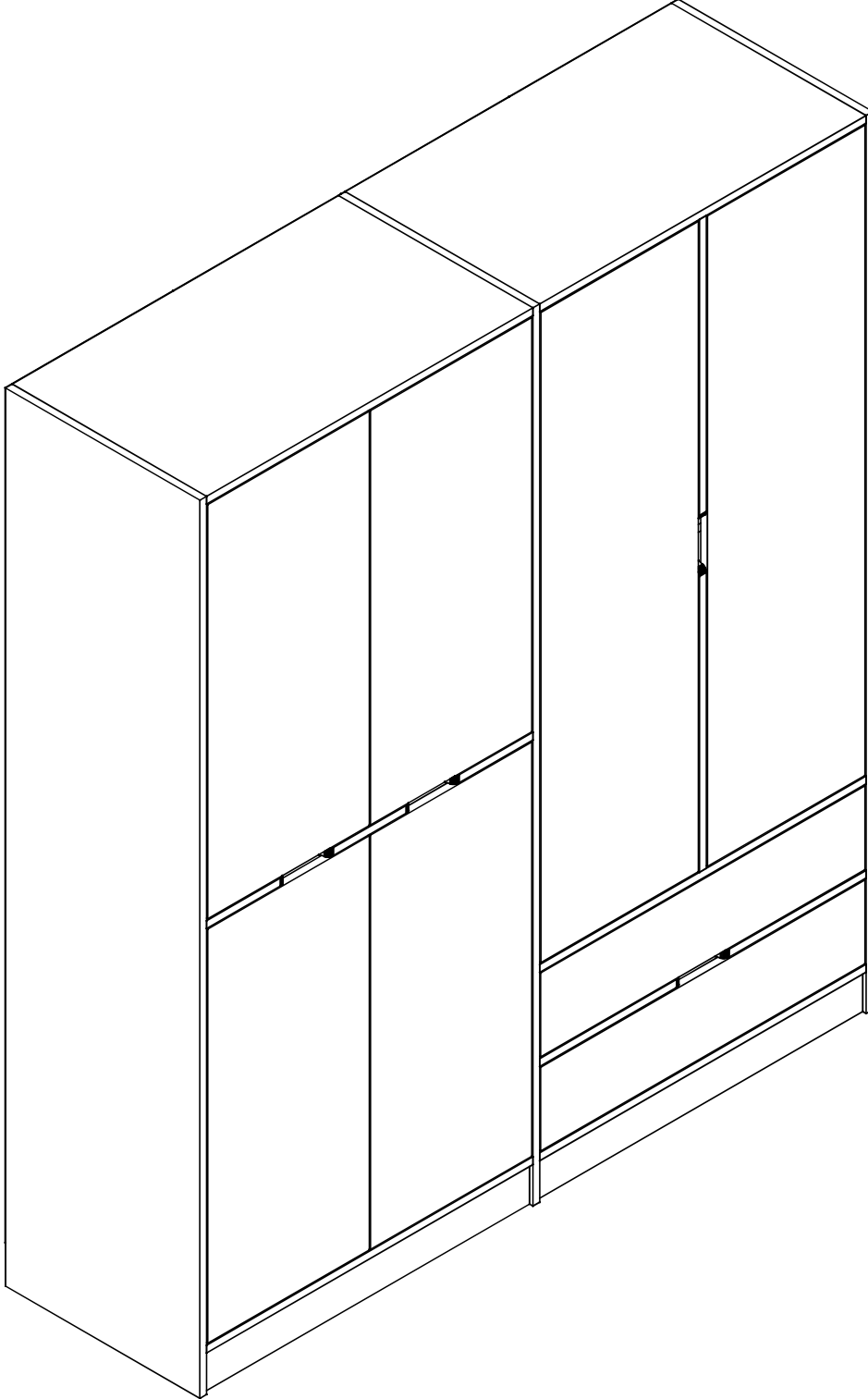


KOÇTAŞ ELİNA

4K2C

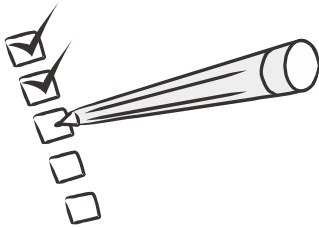
DORE/BEYAZ



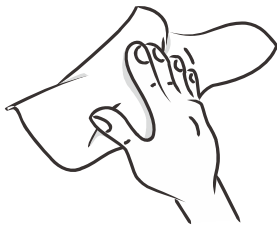
Dear Customer,

We design and produce our products for people to love and have fun with them as we do.

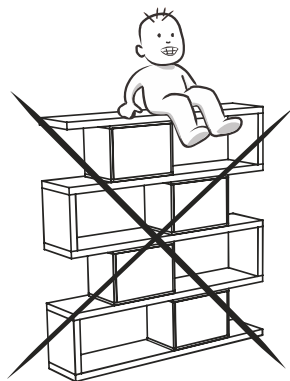
The product you bought was subjected to all sorts of tests and control before sending out to you.



Before start assembling, please check the whole components and accessories according to the lists. If you bought more than one product, to prevent confusion be sure that you completed the first product. Then start the other product's assembling.



Before start assembling, please clean all the components with a damp cloth. Also for usual cleaning, this will be enough.

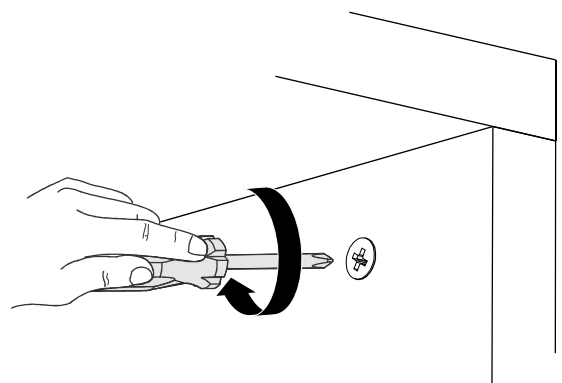
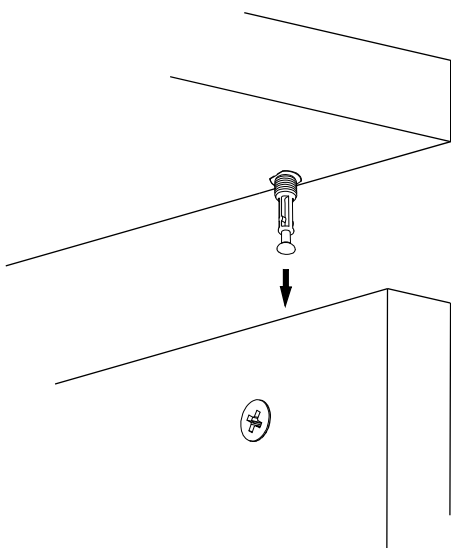
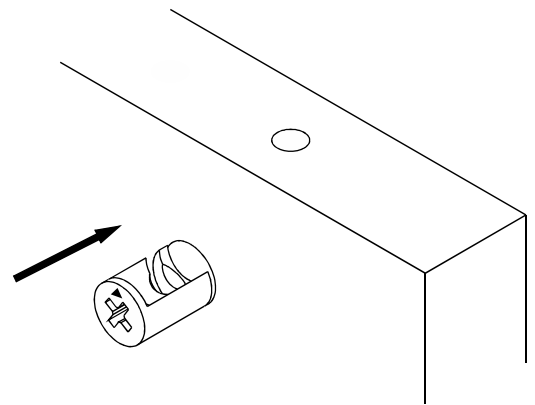
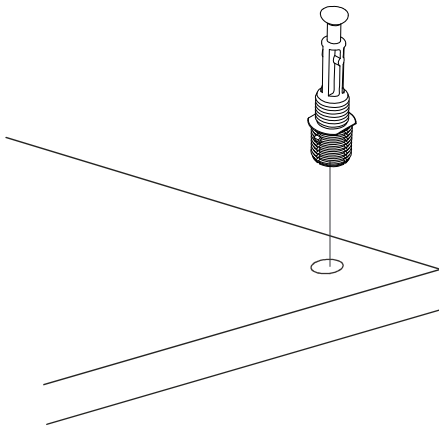
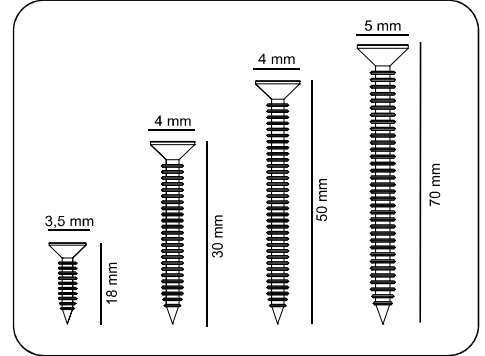
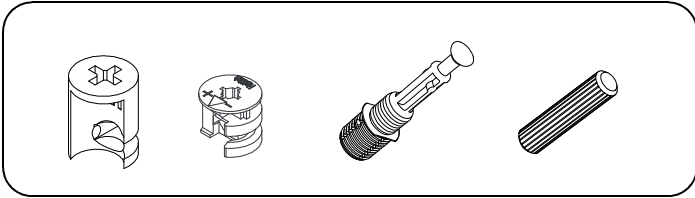


Do not use your furniture for out of purposes. If you would like to use it, please contact us for further questions.

Do not directly contact your furniture with excessive heat, cold and humidity because the product can be affected..

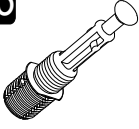

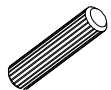



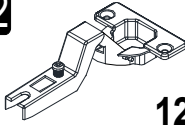
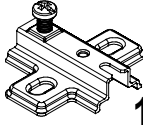
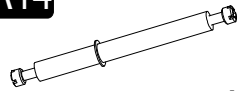

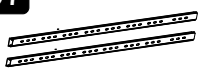
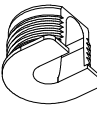
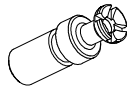
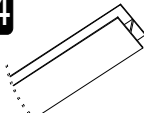
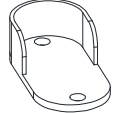
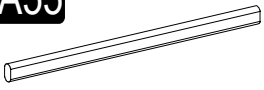
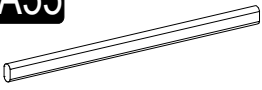
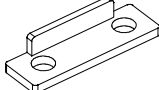

ATTENTION !!

Minifix is the main connection material used in
 products. Before starting assembly, please check the drawings below.

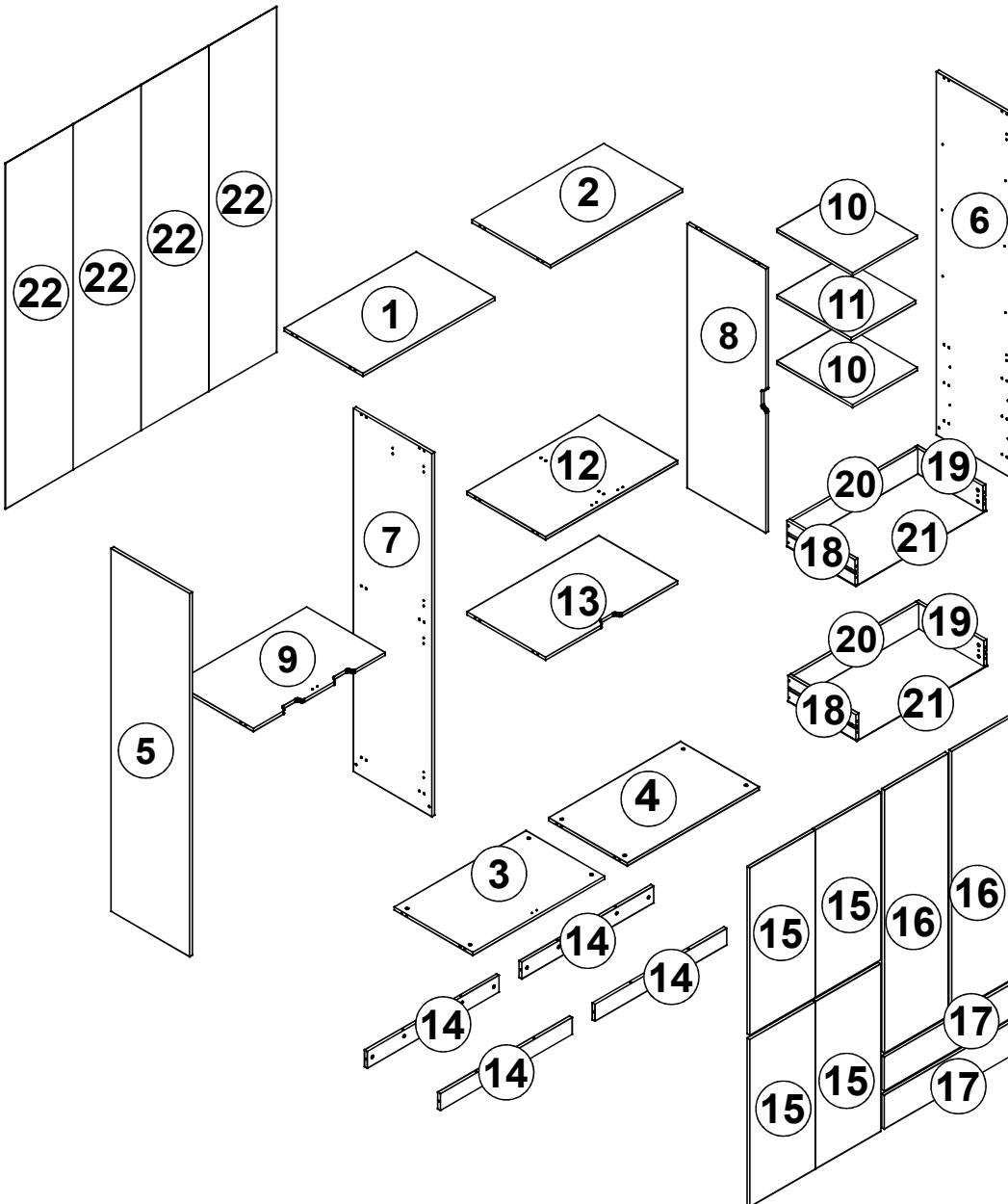


ACCESSORY LIST

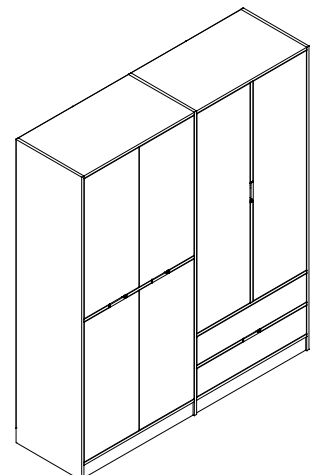
KOÇTAŞ ELİNA 4K DOLAP

A23 Minifix M8  8x34 40x	A22 Minifix G18  15x14 48x	A04 PLSTK KVLY  8x30 48x	A18 YHB VD  3,5x18 84x	A17 YHB VD  4x50 8x
A94 YSB MVD  4x15 4x	C02 SDM  12x	C06 SD MA  12x	A14 U Minifix  8x86 4x	A48 ARKLK CVS  78x
R07 BLY RAY  17x438 2x	V10 RFX  20x14 12x	V11 RFX VD  5x13 12x	A64 H ARKLK CTS  1944 mm 1x	A24 ASK FLNS  6x
A55 ASK BRS  863 mm 2x	A55 ASK BRS  417 mm 1x	A60 KPK STPR  BYZ 8x	A06 MRBL KRZ  18 mm 44x	

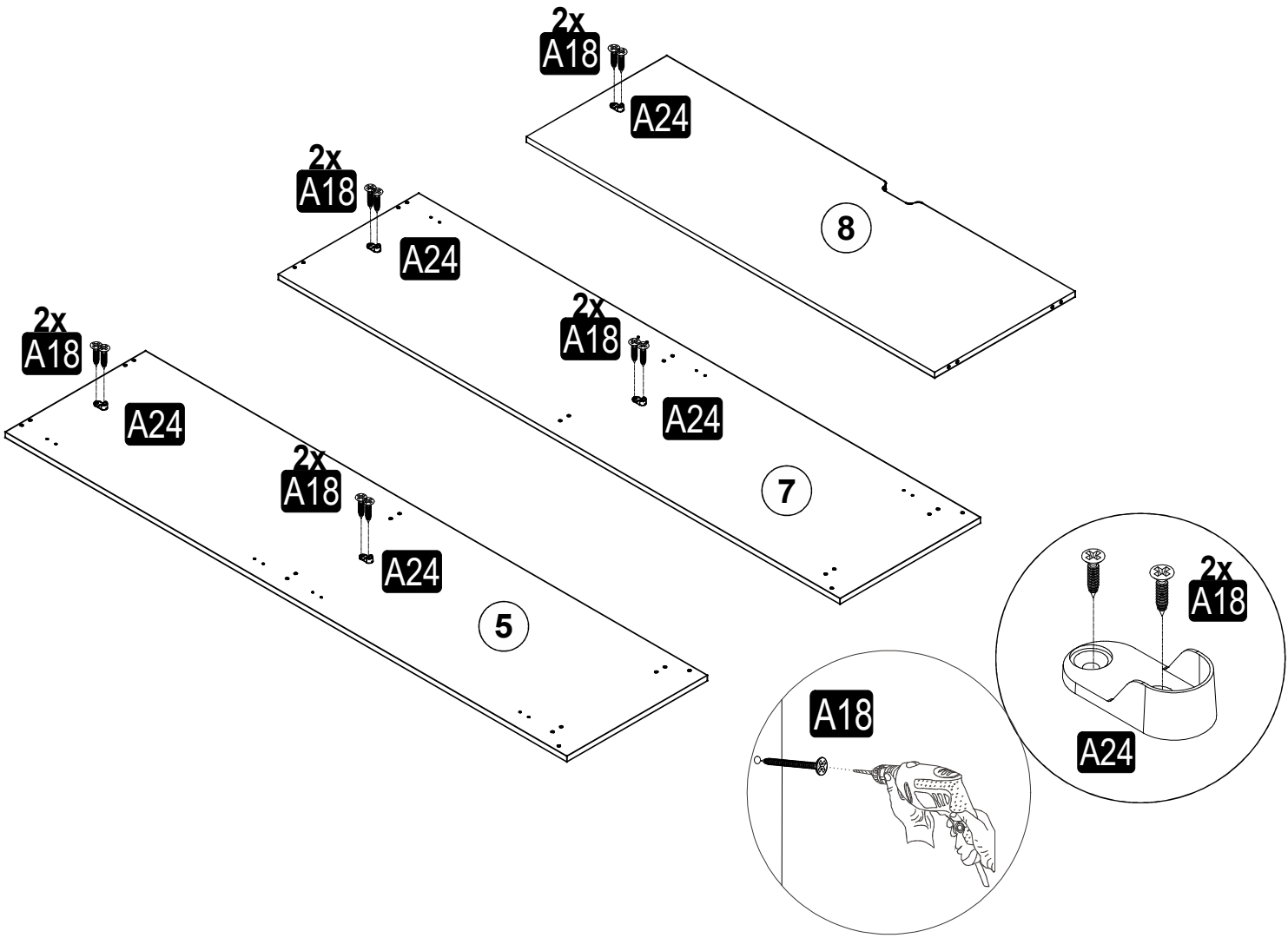
GENERAL VIEW



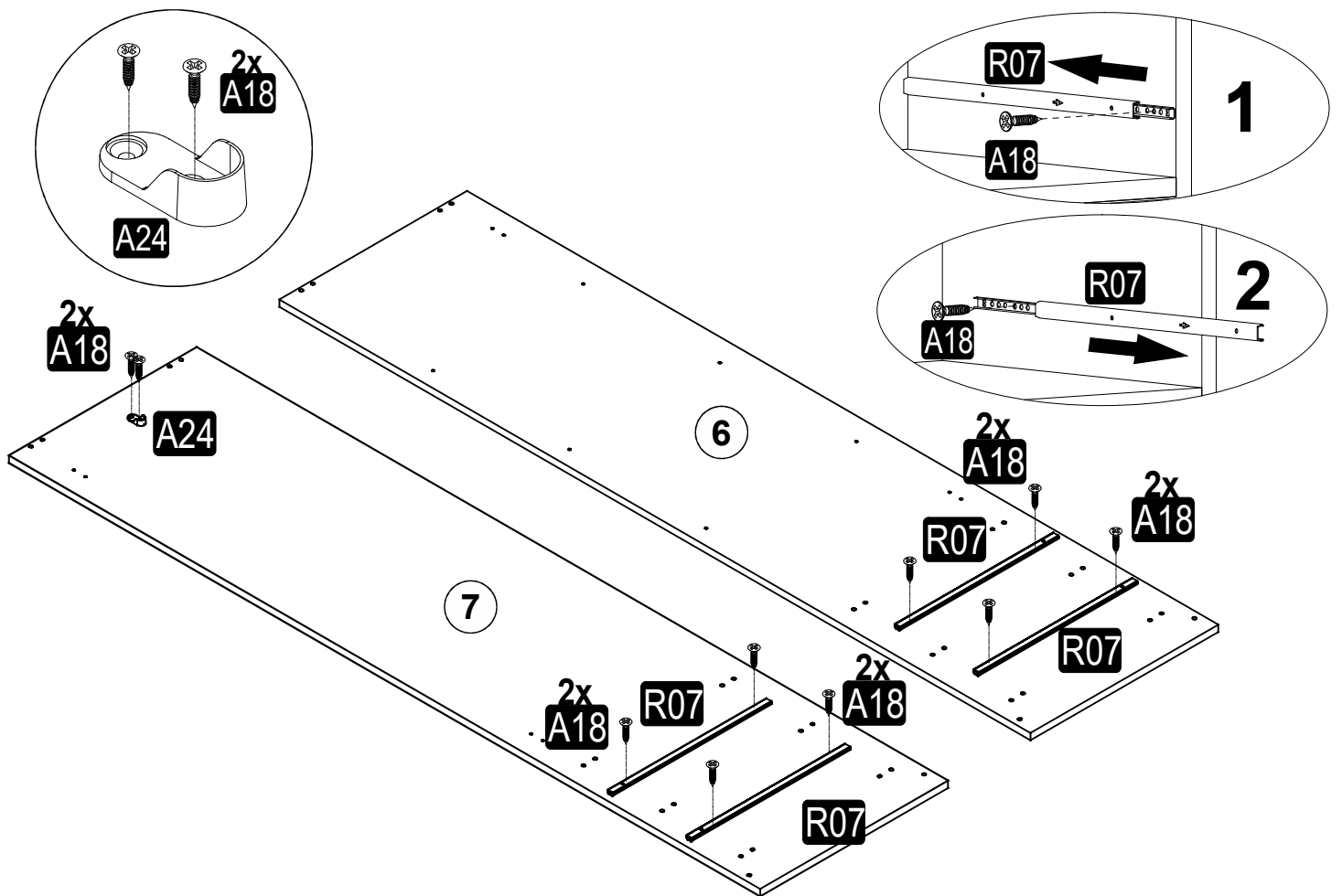
.01	1	873	520	18
.02	1	873	520	18
.03	1	873	520	18
.04	1	873	520	18
.05	1	2080	520	18
.06	1	2080	520	18
.07	1	2080	520	18
.08	1	1512	520	18
.09	1	873	520	18
.10	2	500	427	18
.11	1	500	427	18
.12	1	873	520	18
.13	1	873	520	18
.14	4	873	96	18
.15	4	957	430	18
.16	2	1504	419	18
.17	2	865	192	18
.18	2	450	146	18
.19	2	450	146	18
.20	2	829	146	18
.21	2	865	456	3
.22	4	1980	448	3



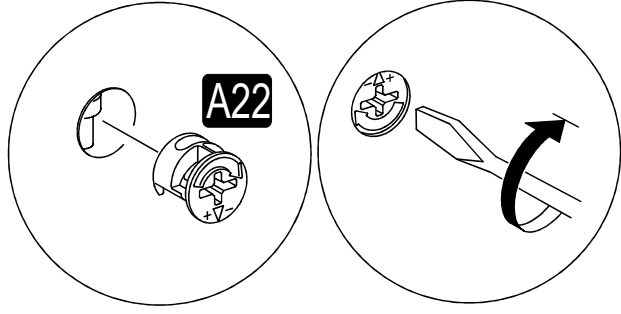
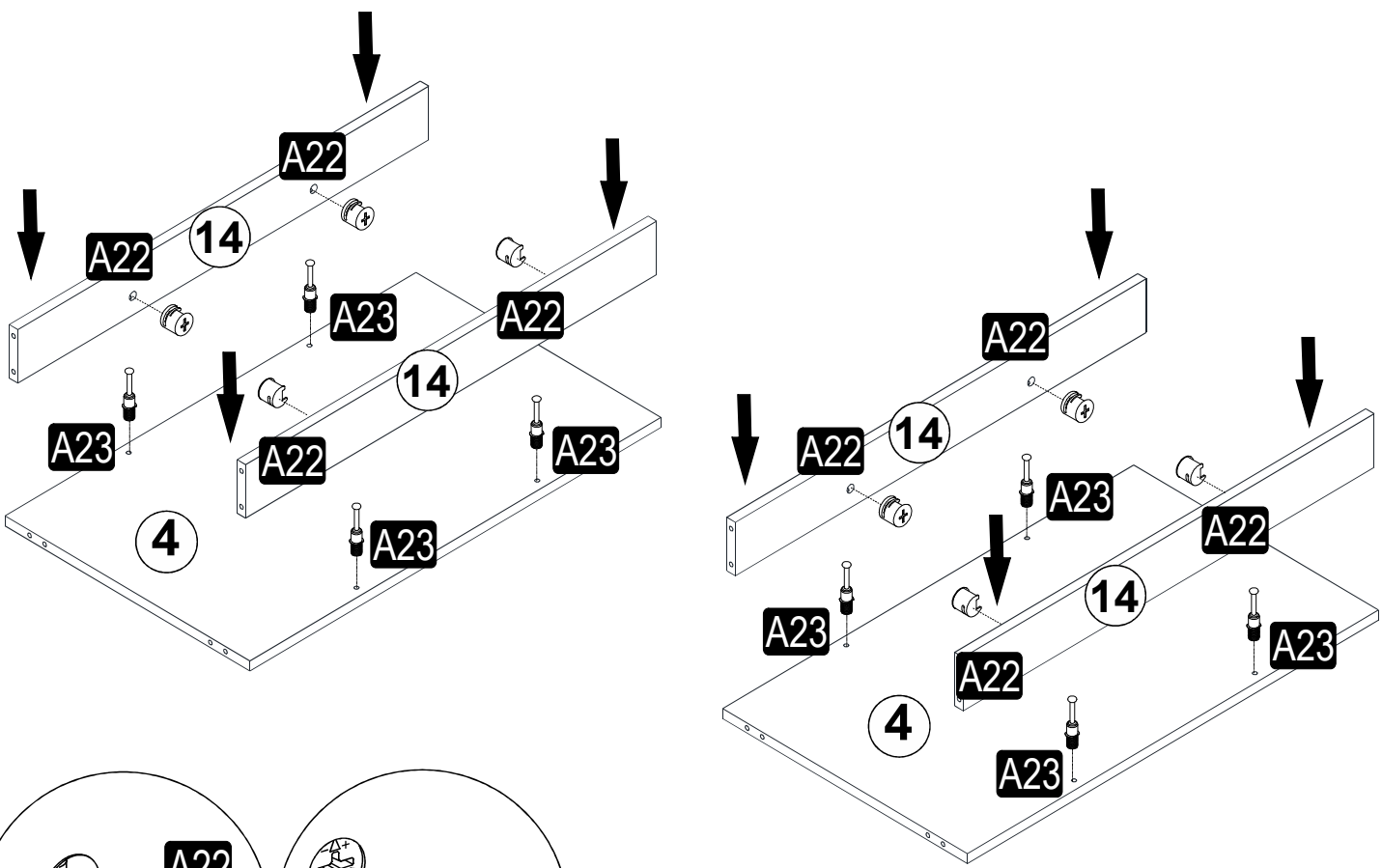
1



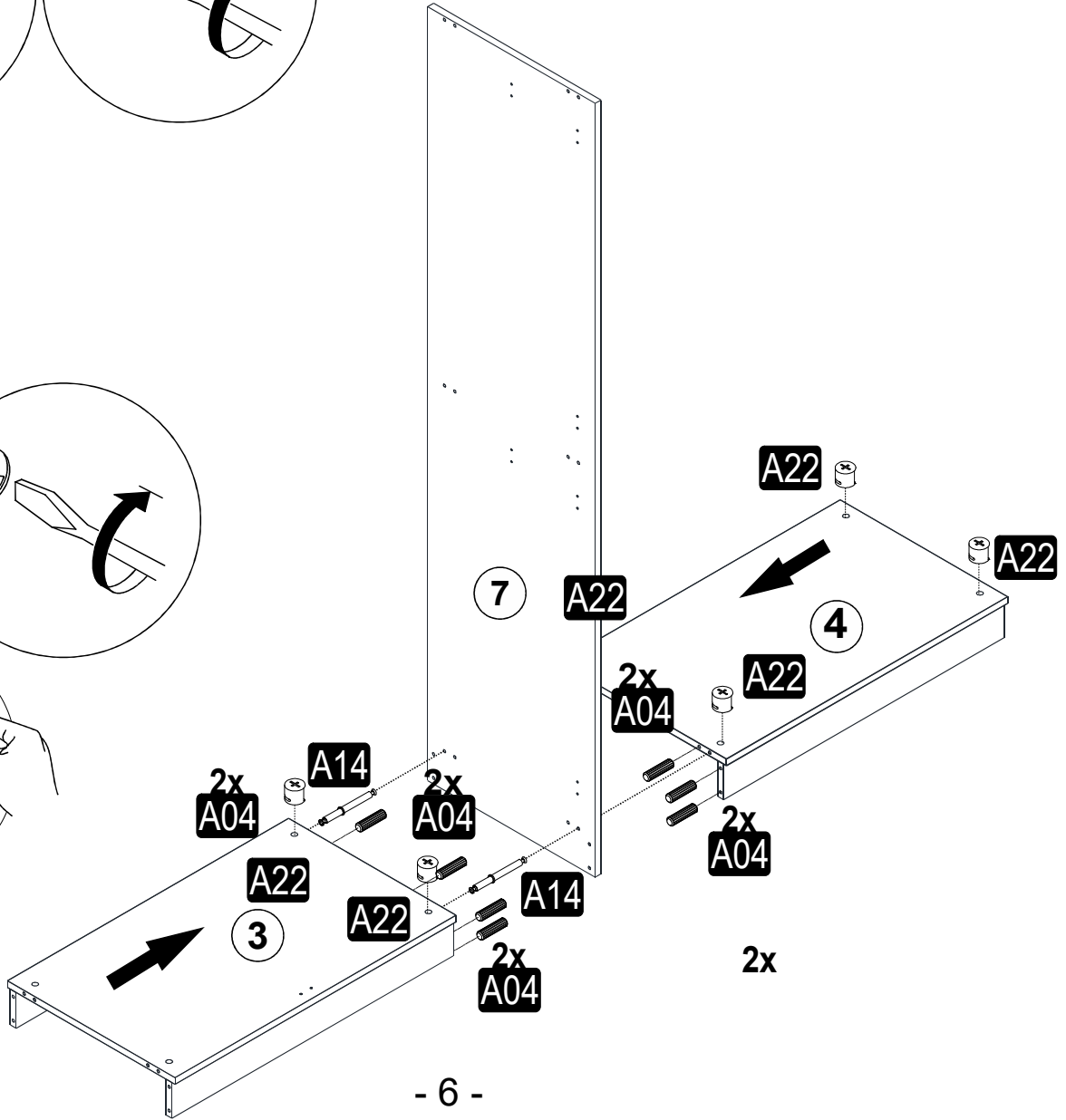
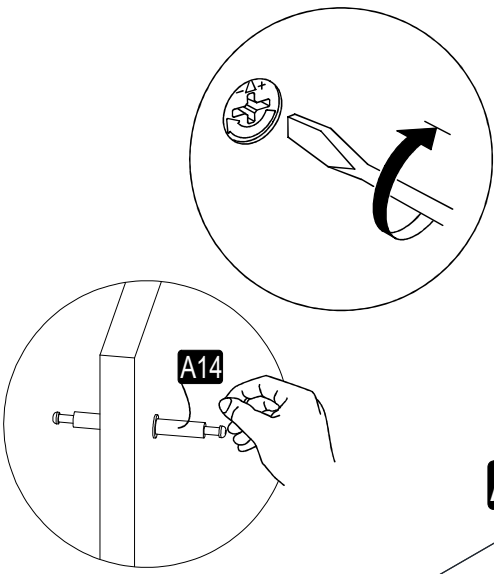
2



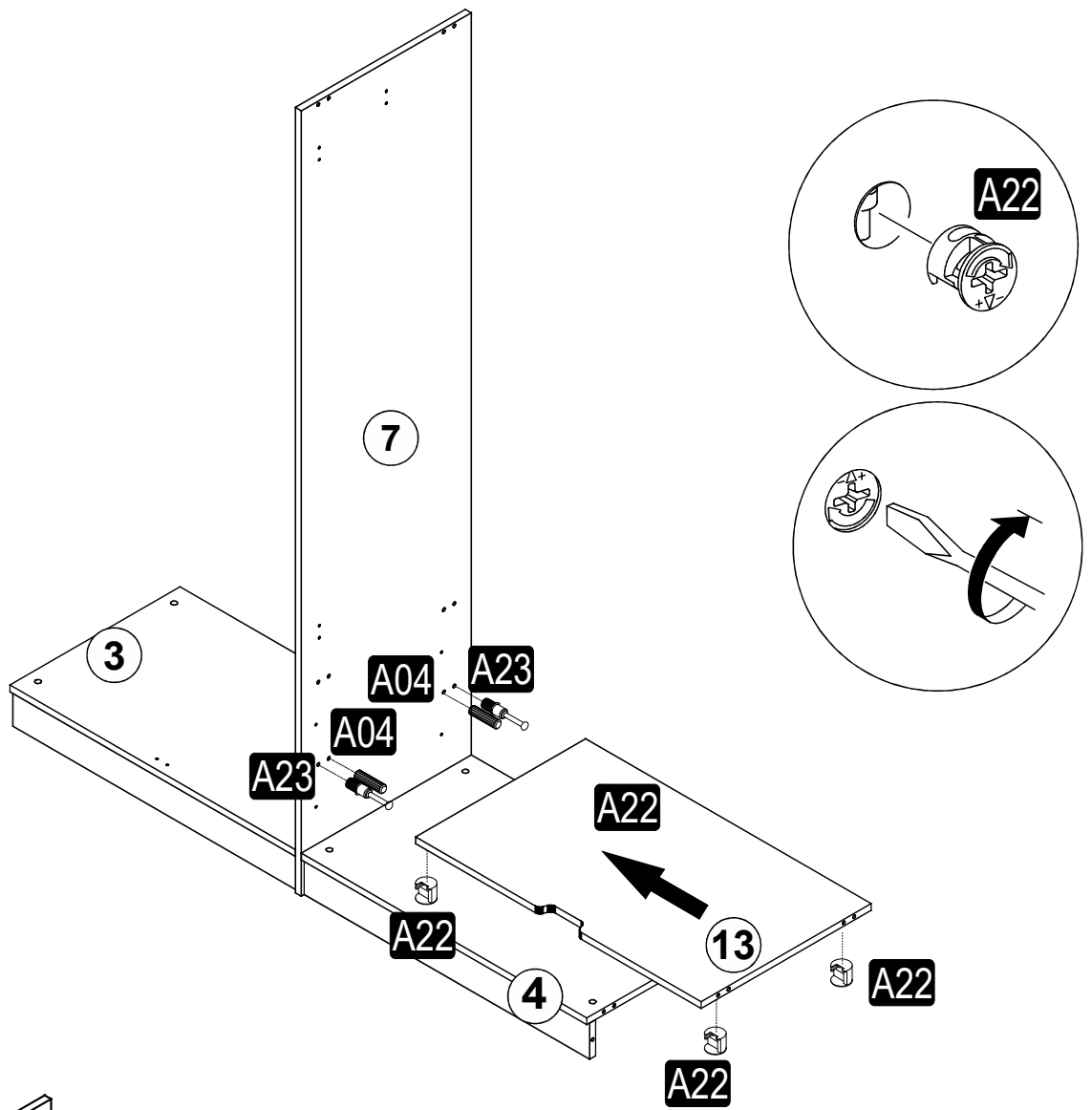
3



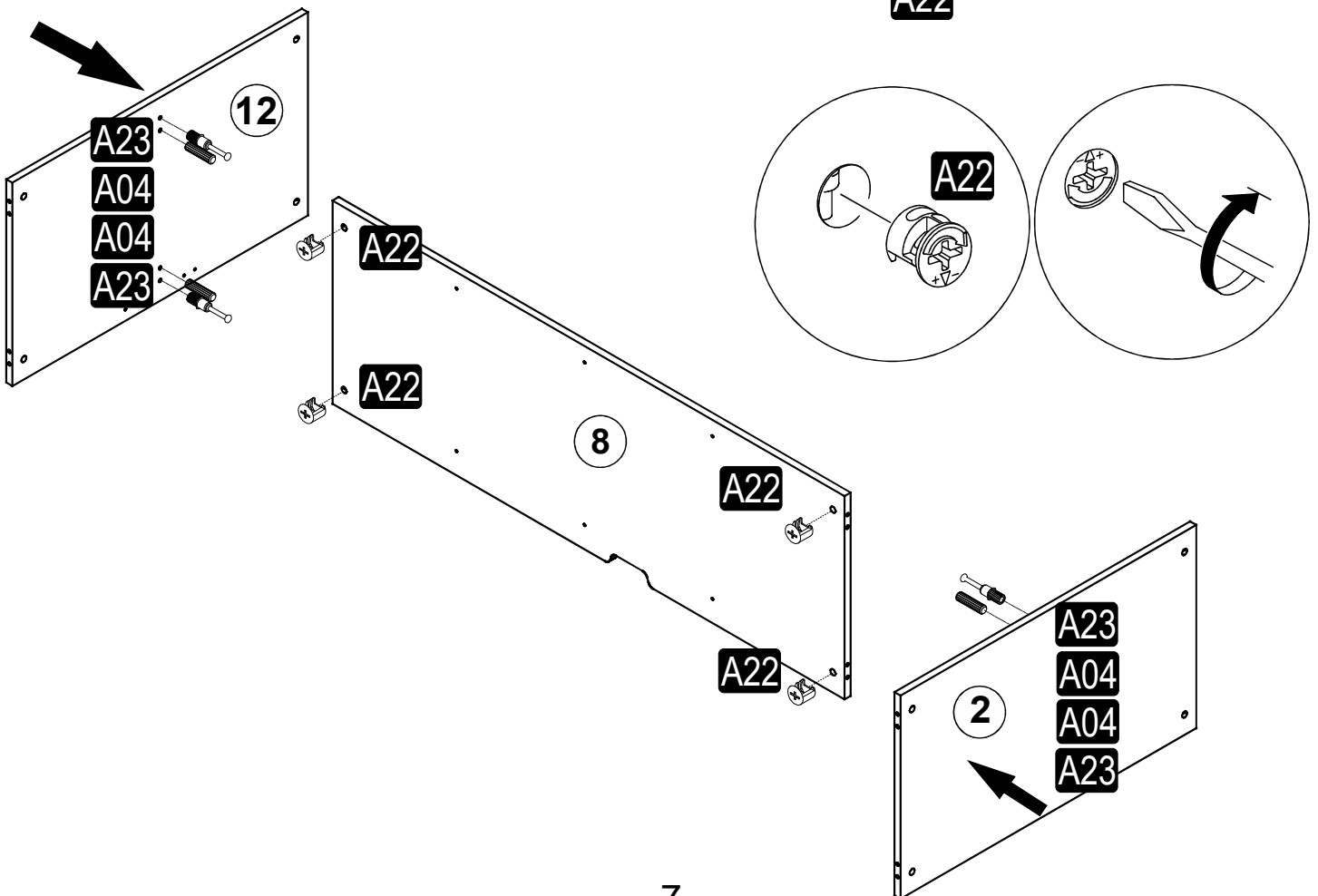
4



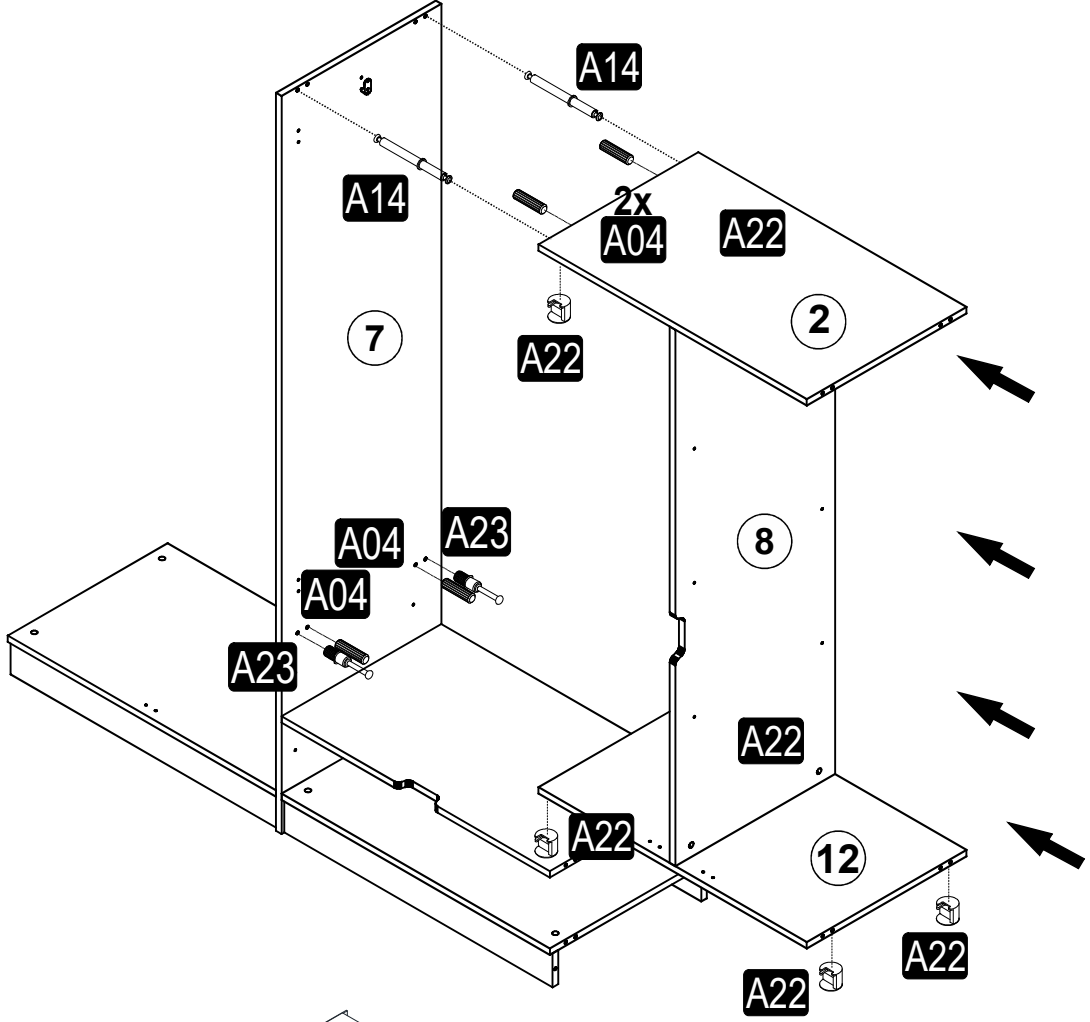
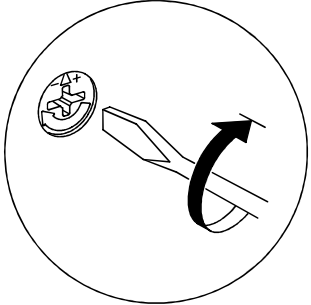
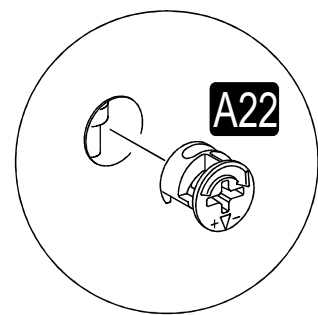
5



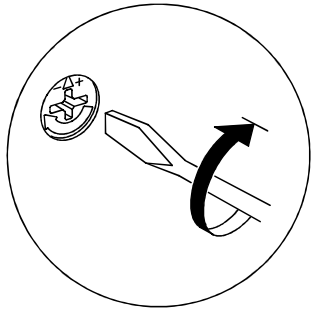
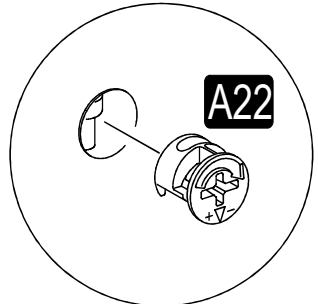
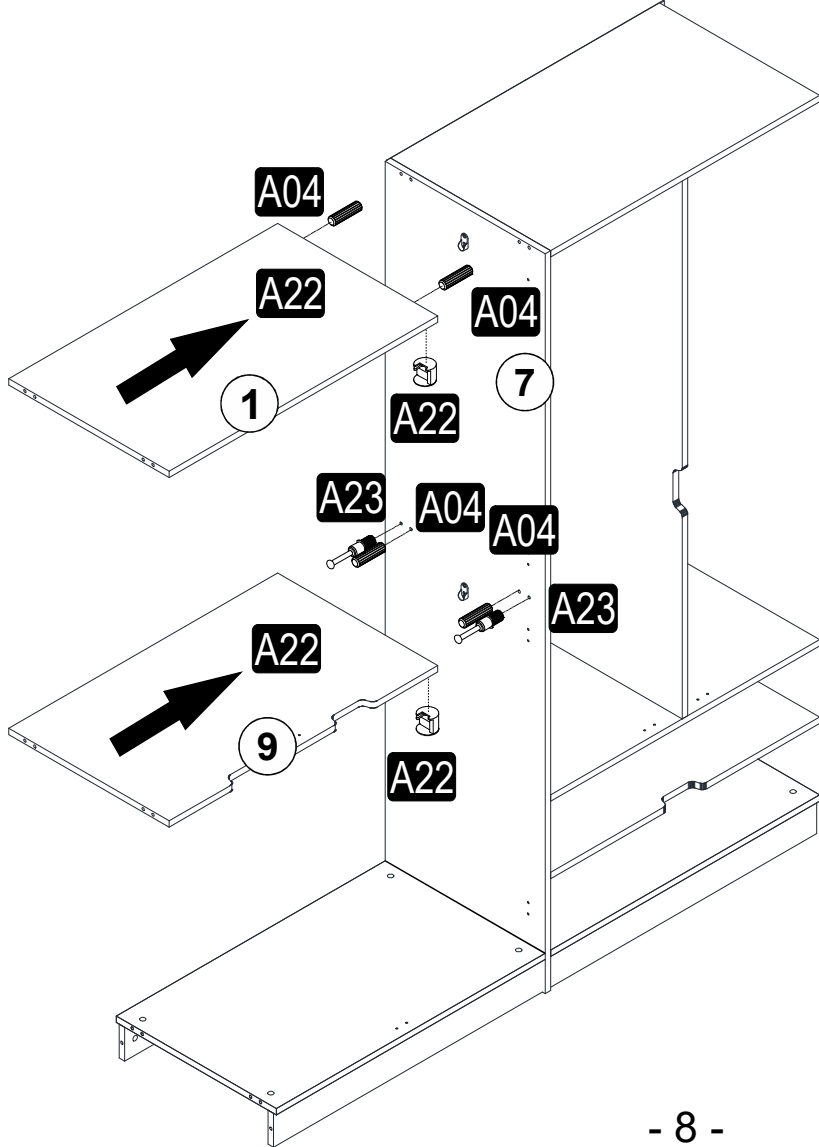
6

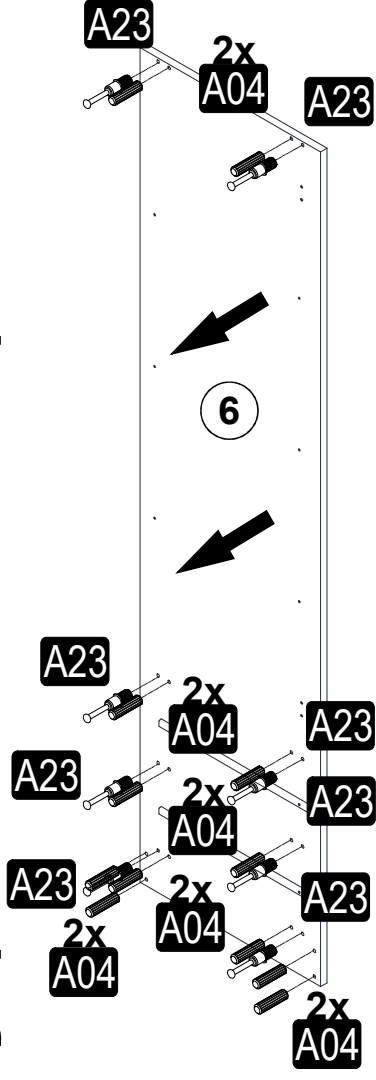
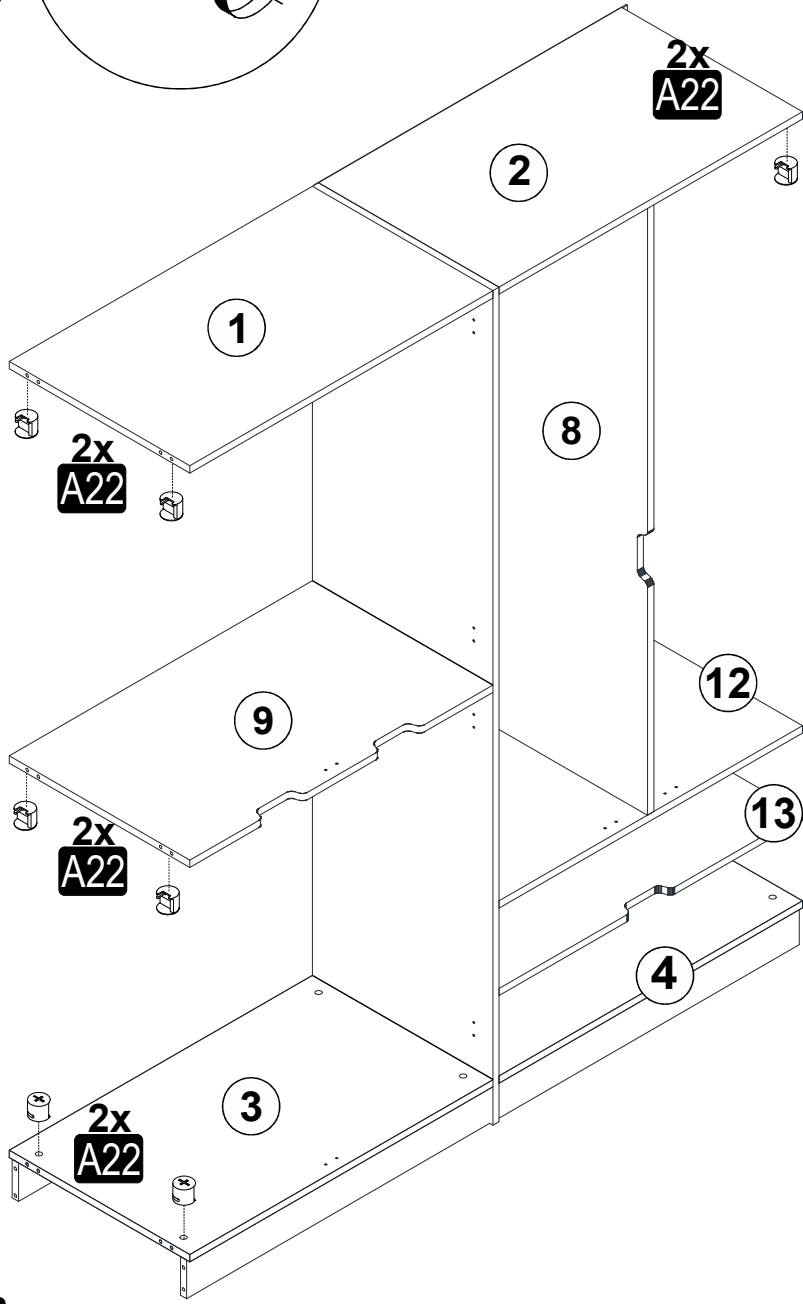
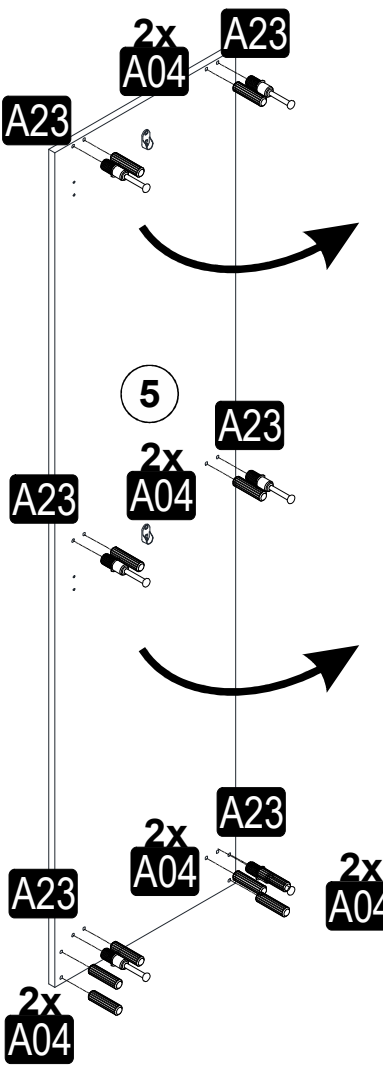
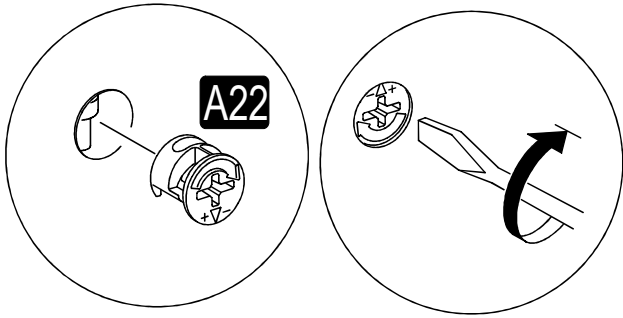


7

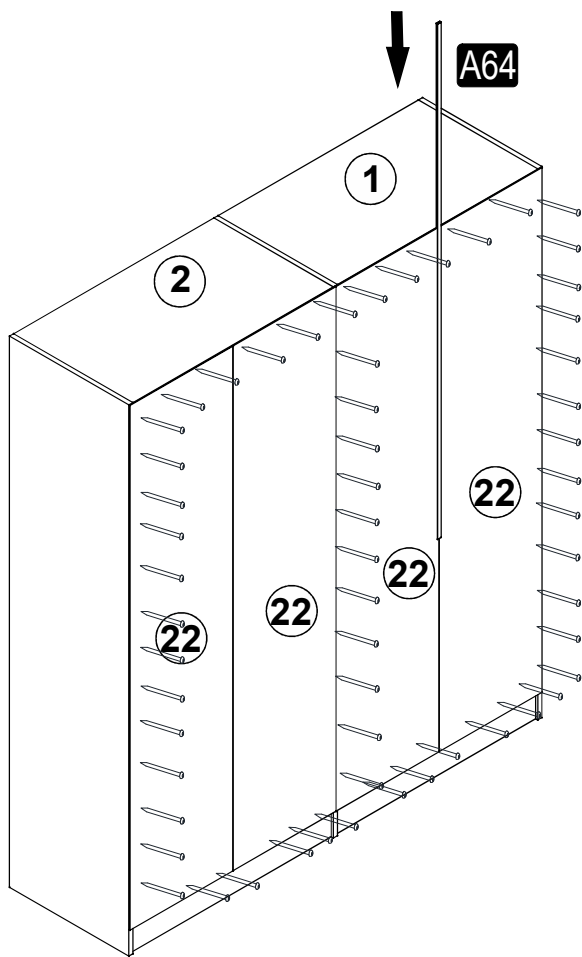


8

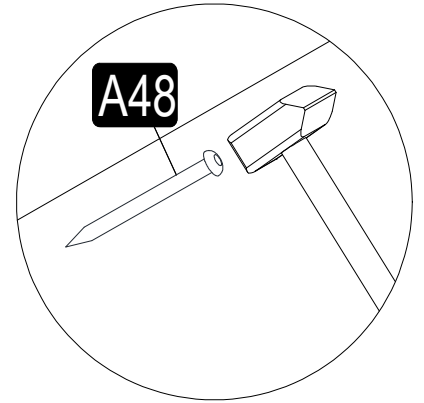




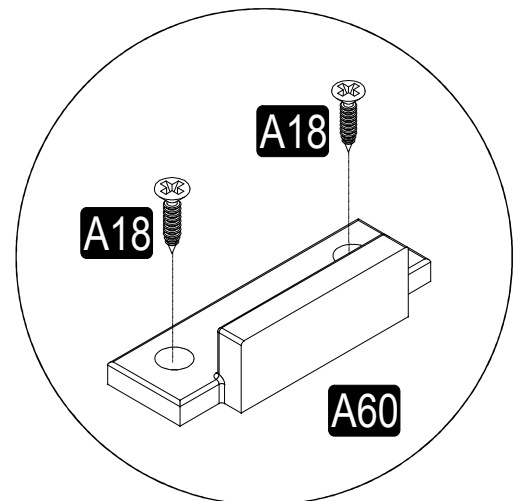
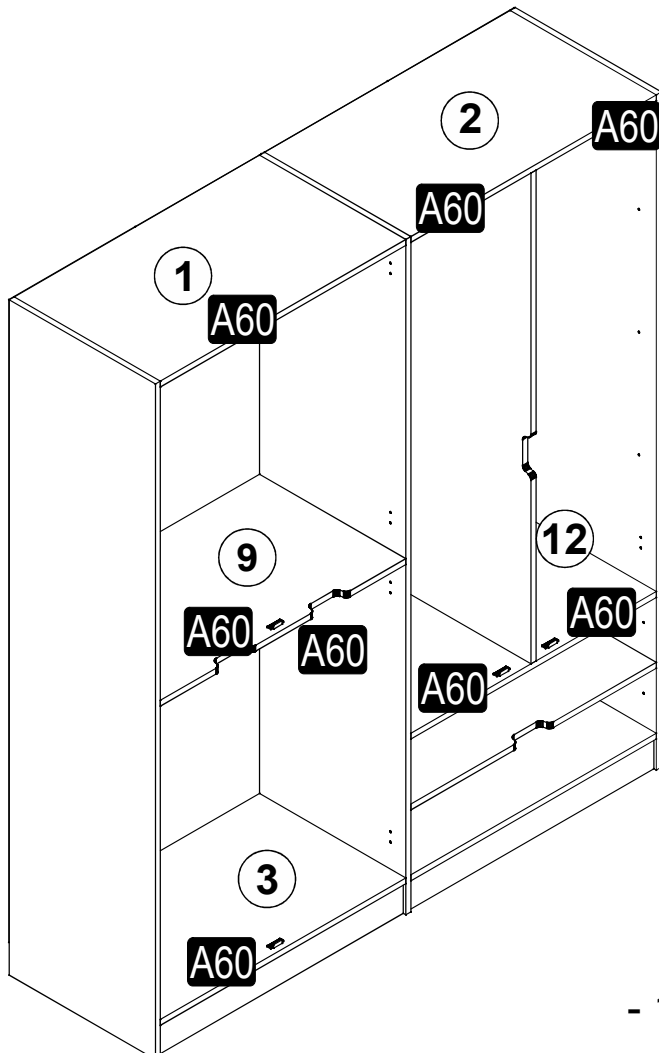
10



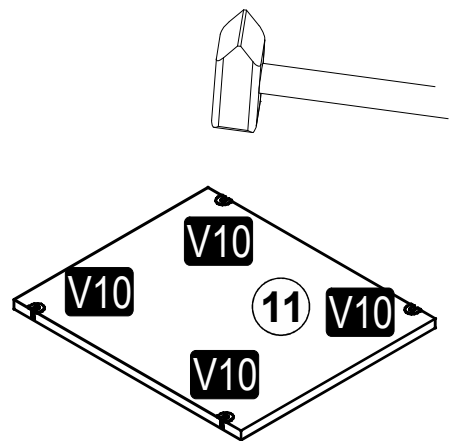
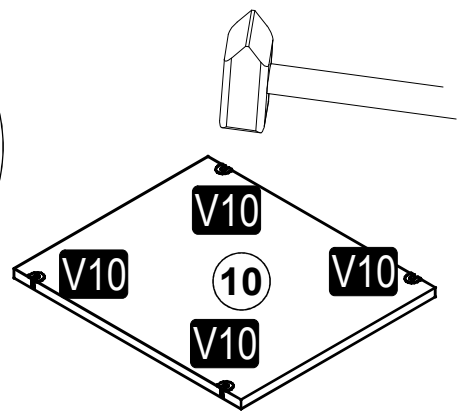
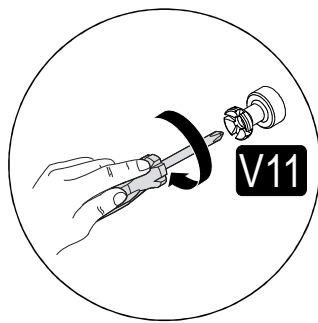
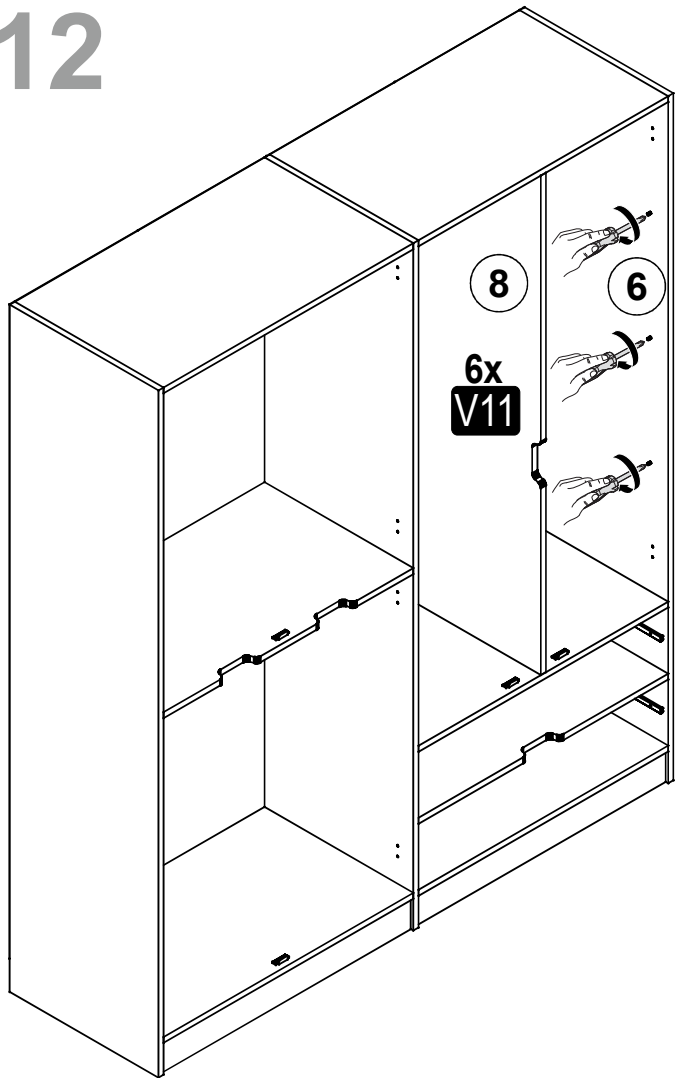
52x
A48



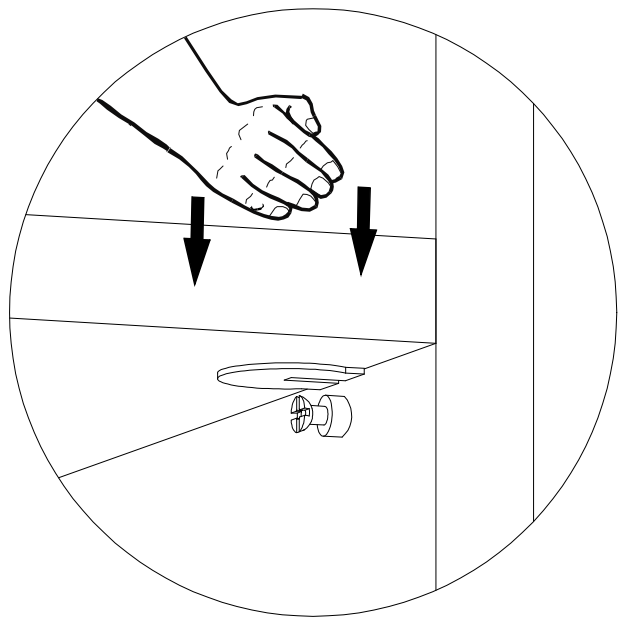
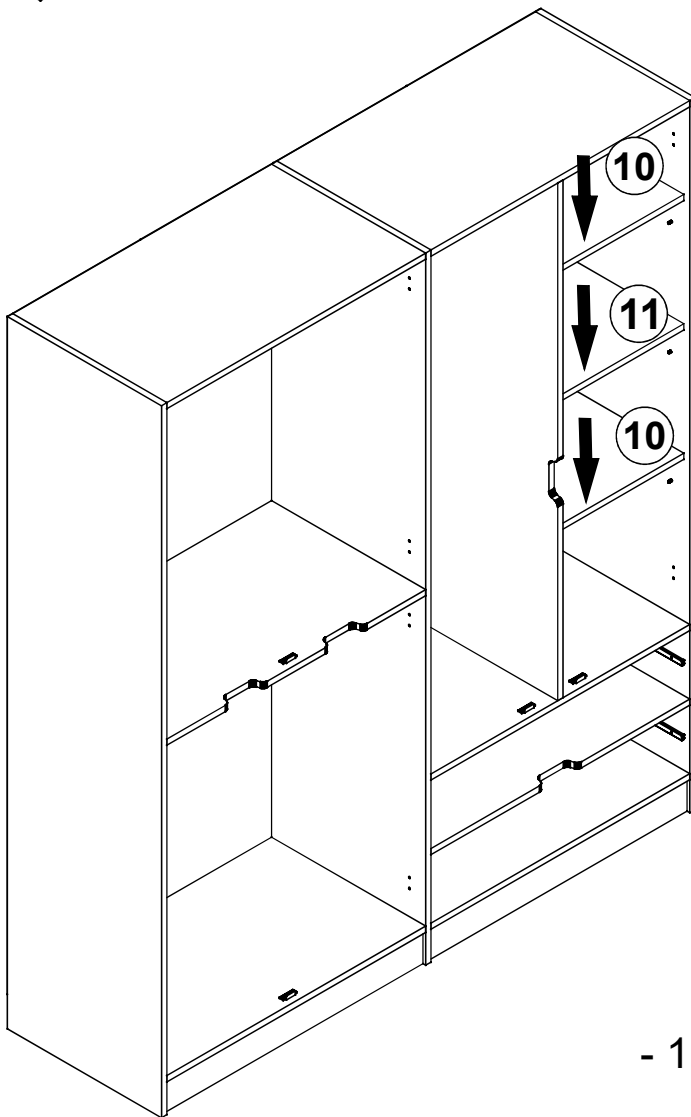
11



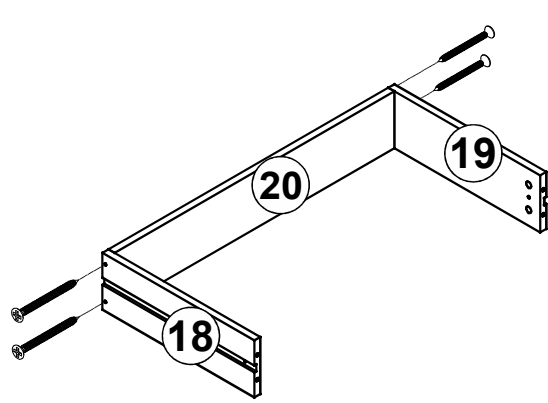
12



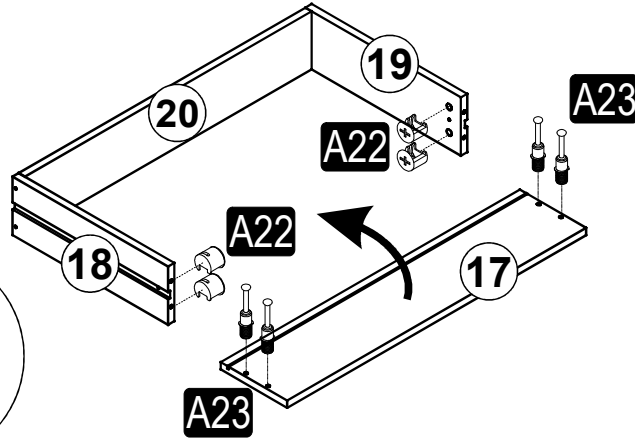
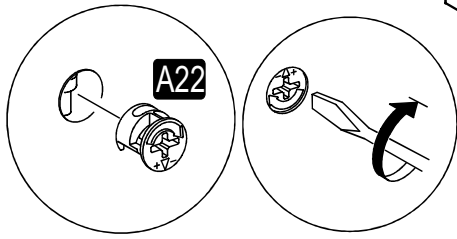
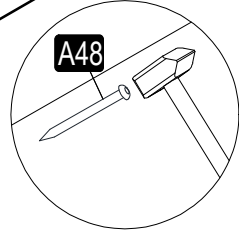
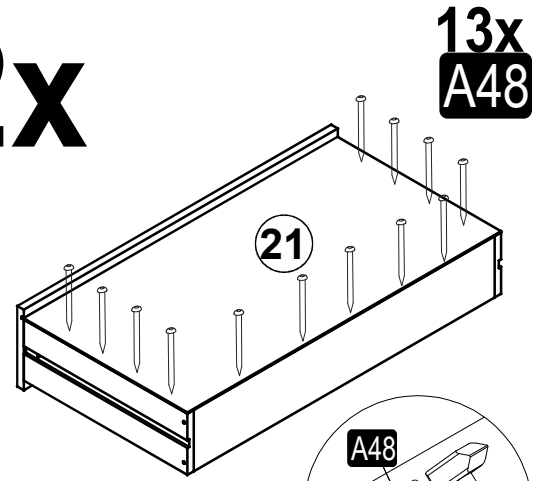
13



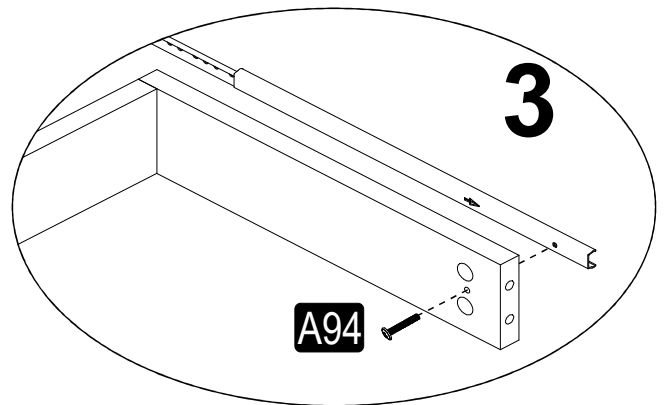
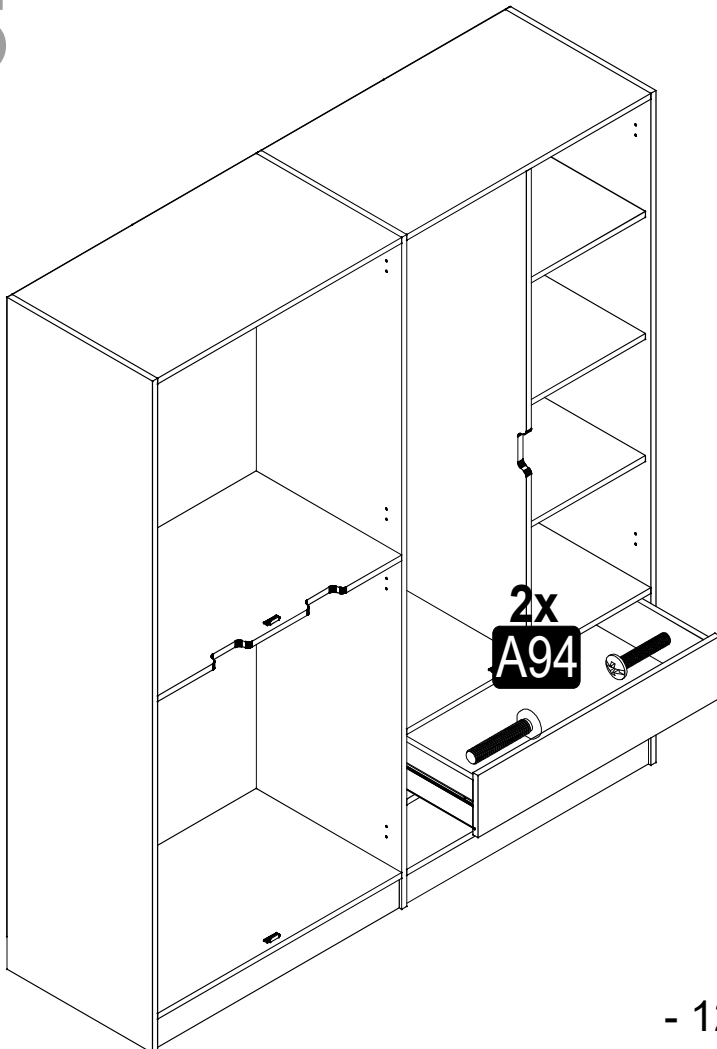
14



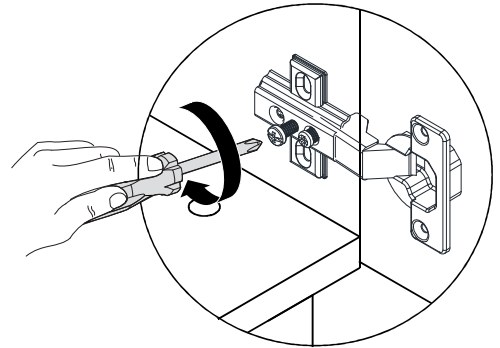
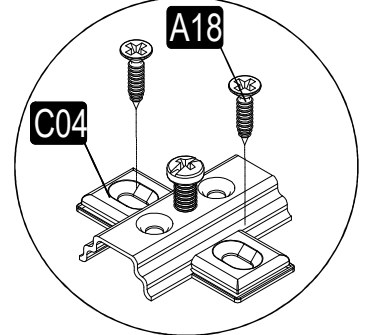
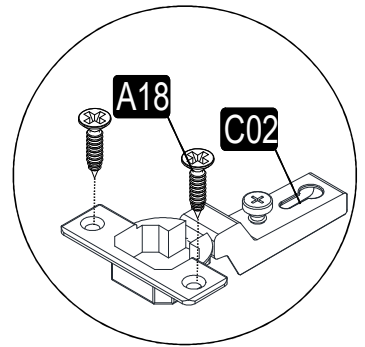
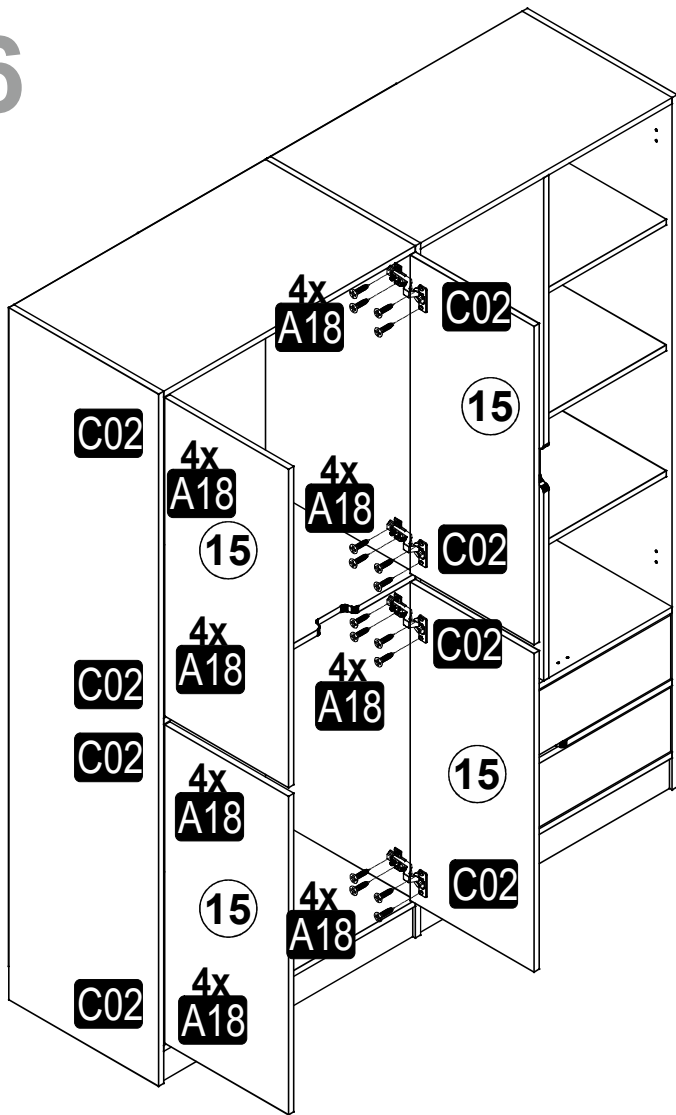
2x



15



16



17

