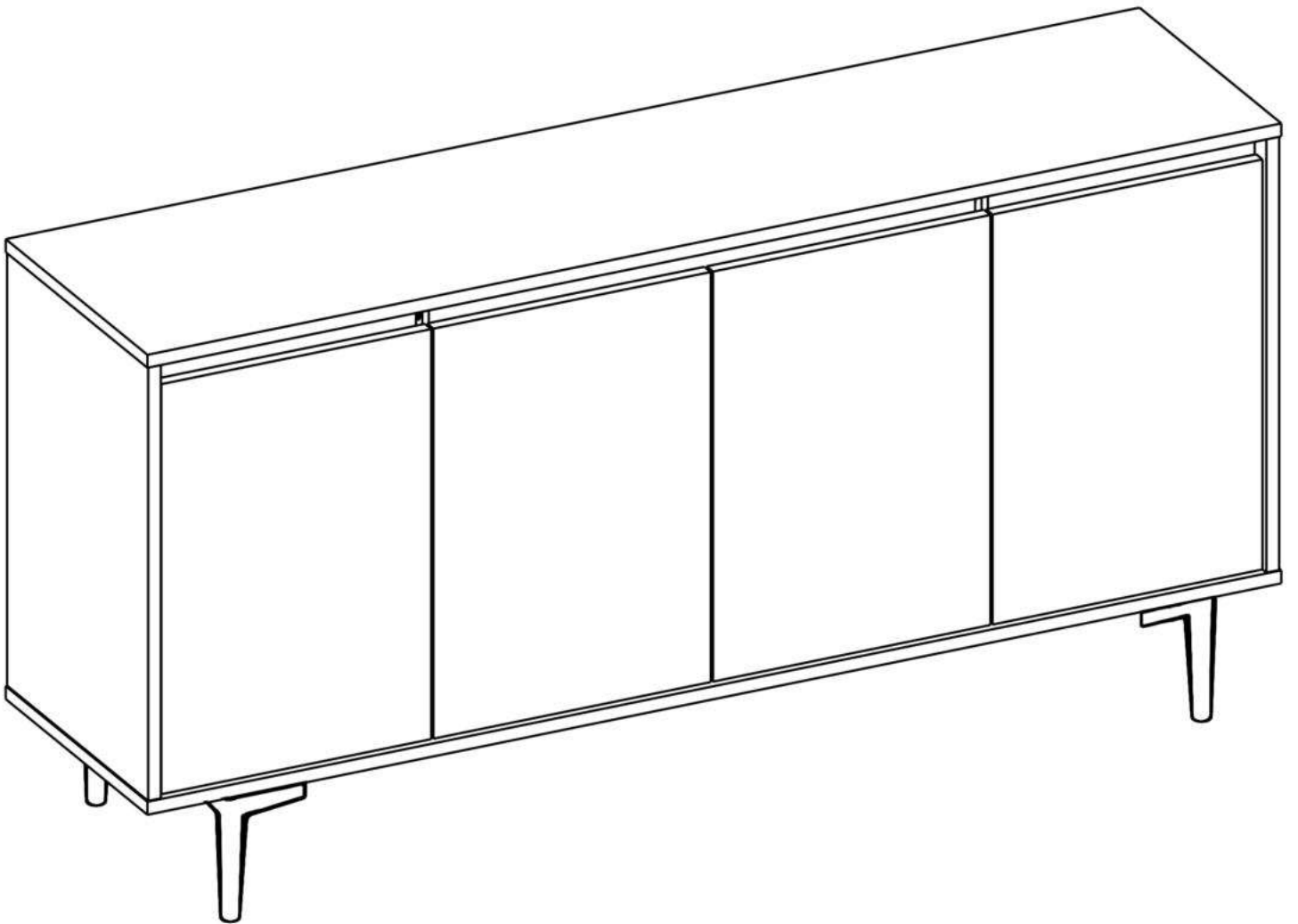










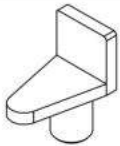

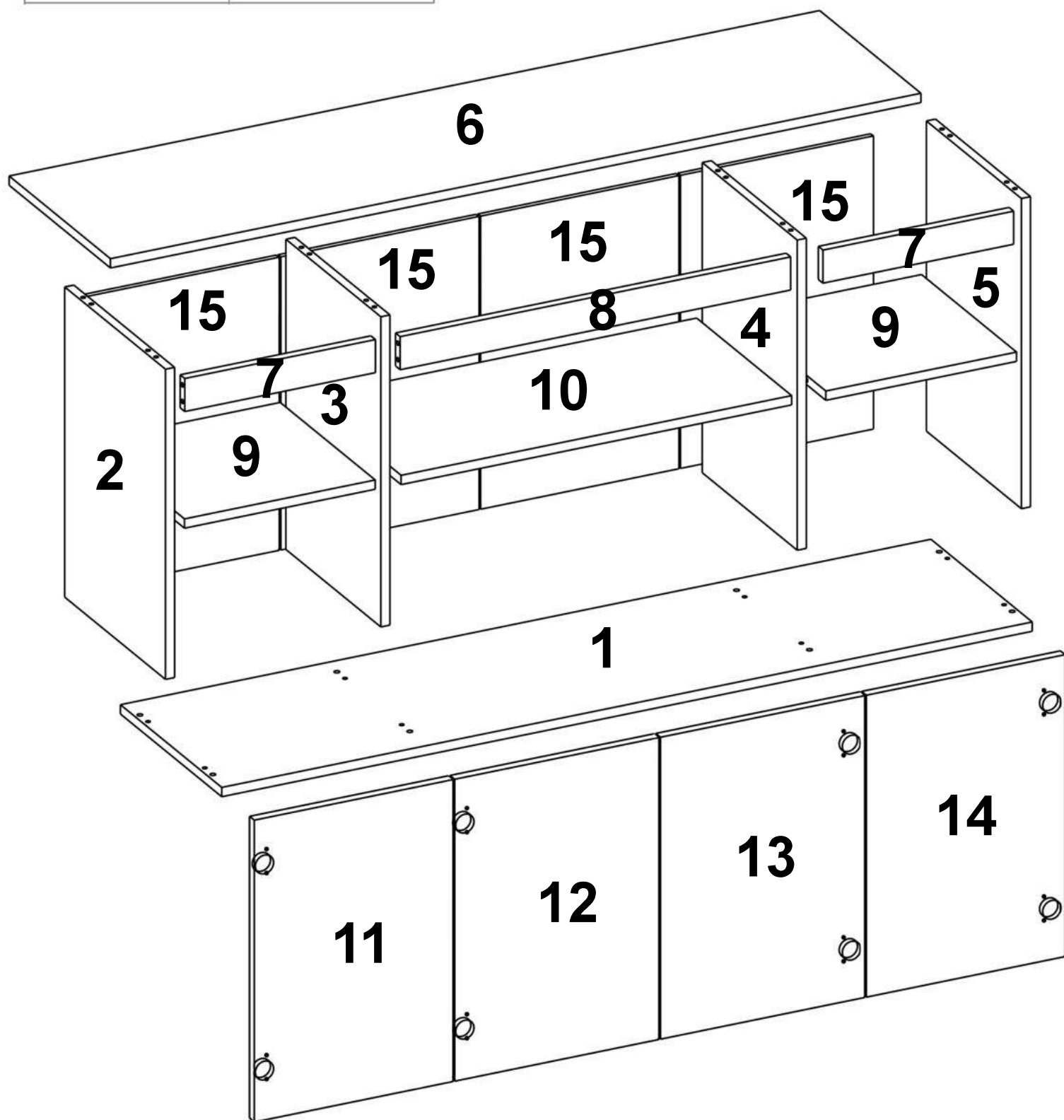
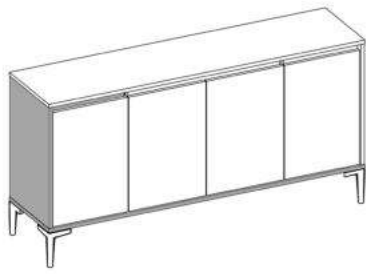


AR3



 B0501 x17	 B0502 x17	 B0503 x29	 B0504 x17	 B0301 x34
 B1004 x5	 B0318 x24	 B0103 x4	 B0105 x8	 B0102 x4
 B0509 x12	 B0326 x21			





B0502



x2

B0503



x4

B0504

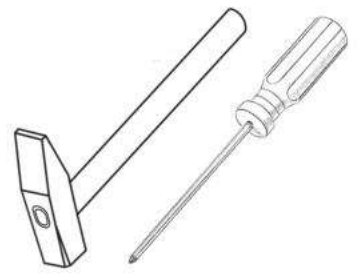


x2

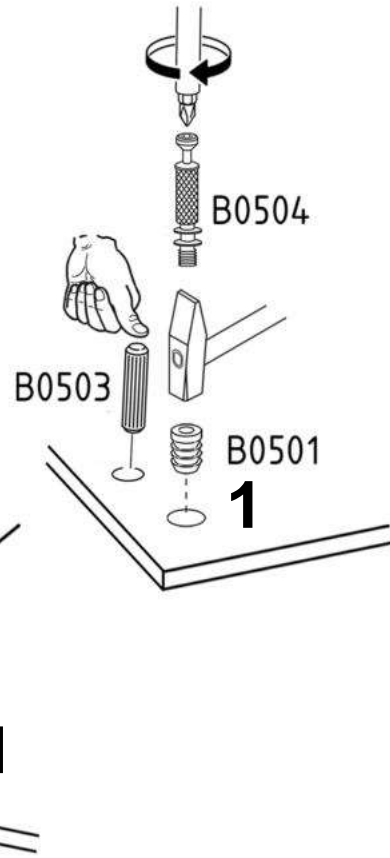
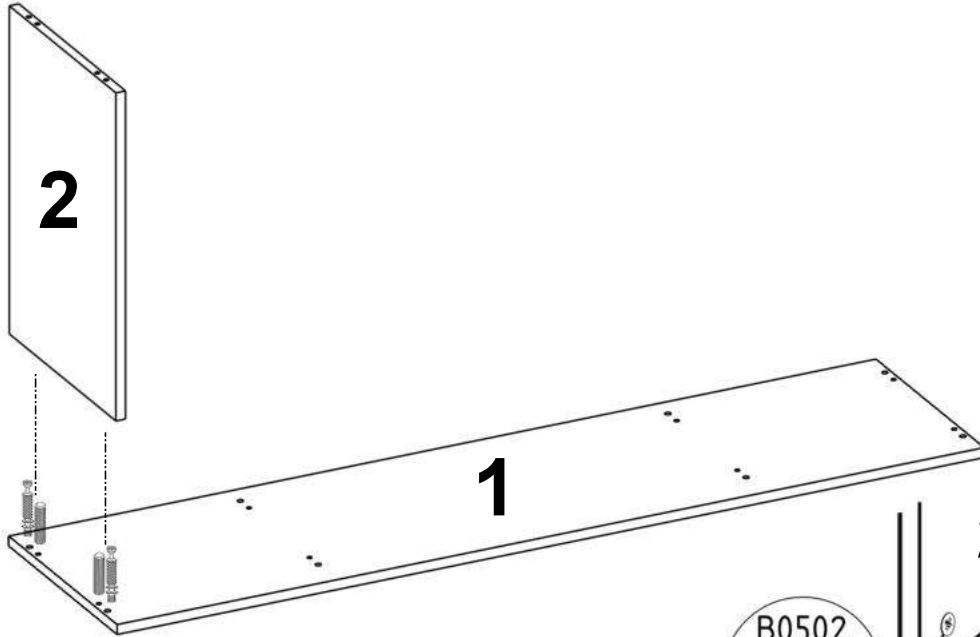
B0501



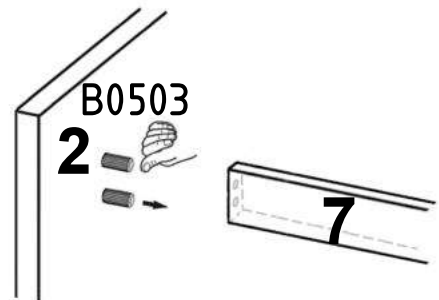
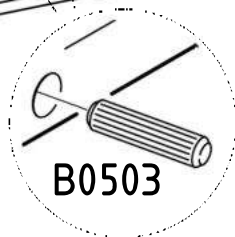
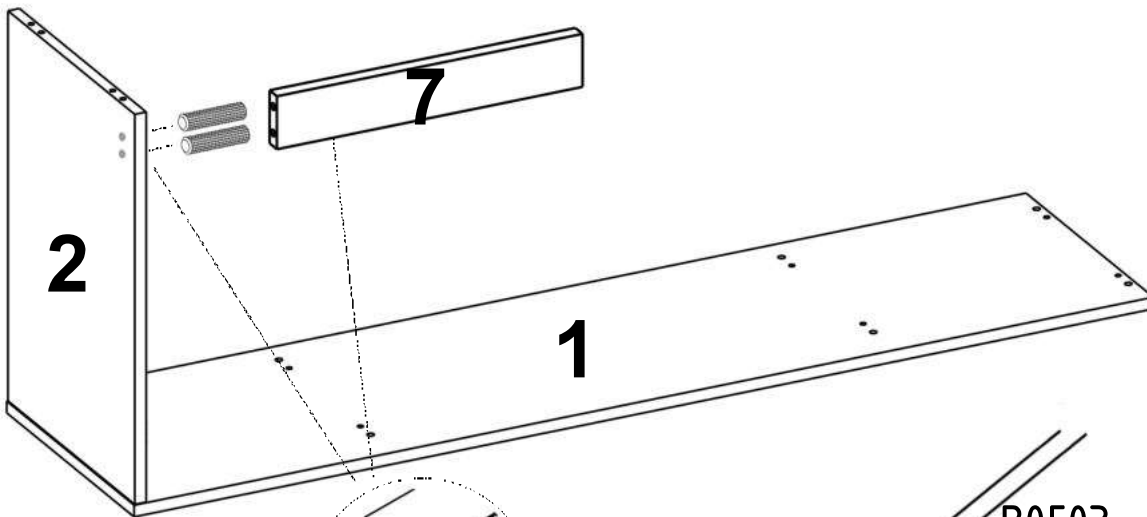
x2



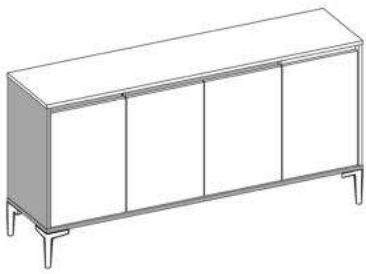
1



2



3



B0502



x2

B0503



x6

B0504

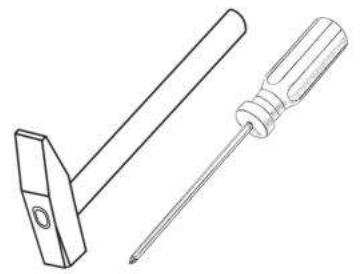


x2

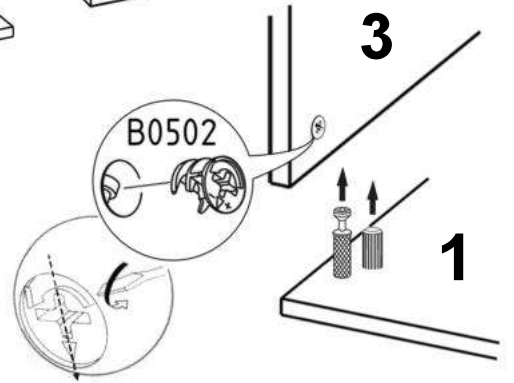
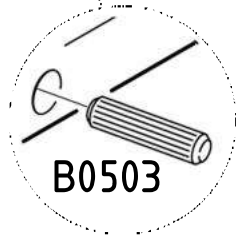
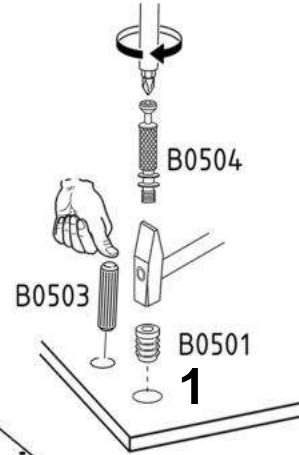
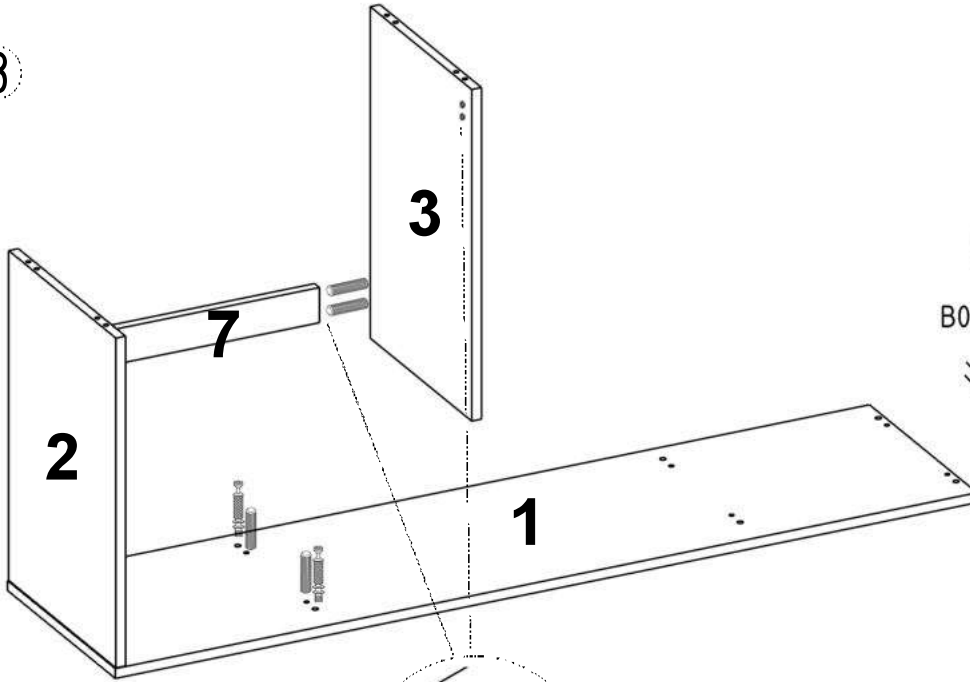
B0501



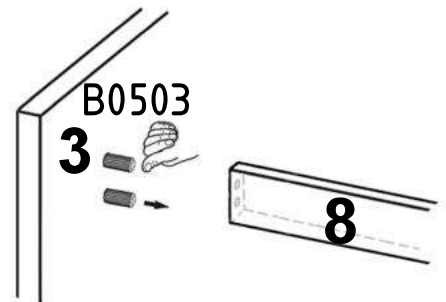
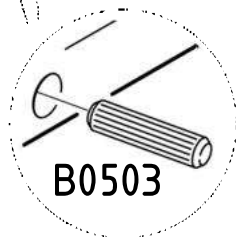
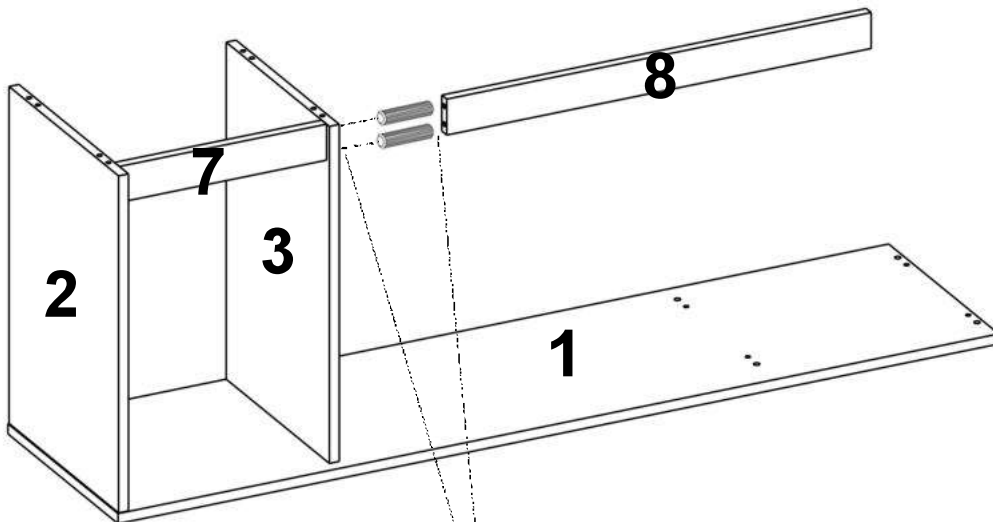
x2

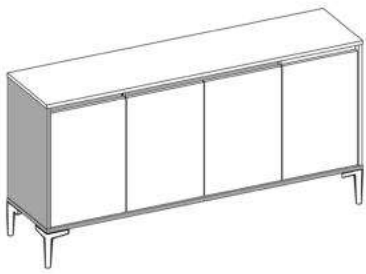


3



4





B0502



x2

B0503



x6

B0504

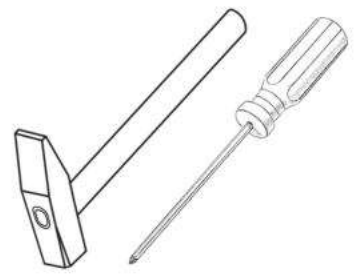


x2

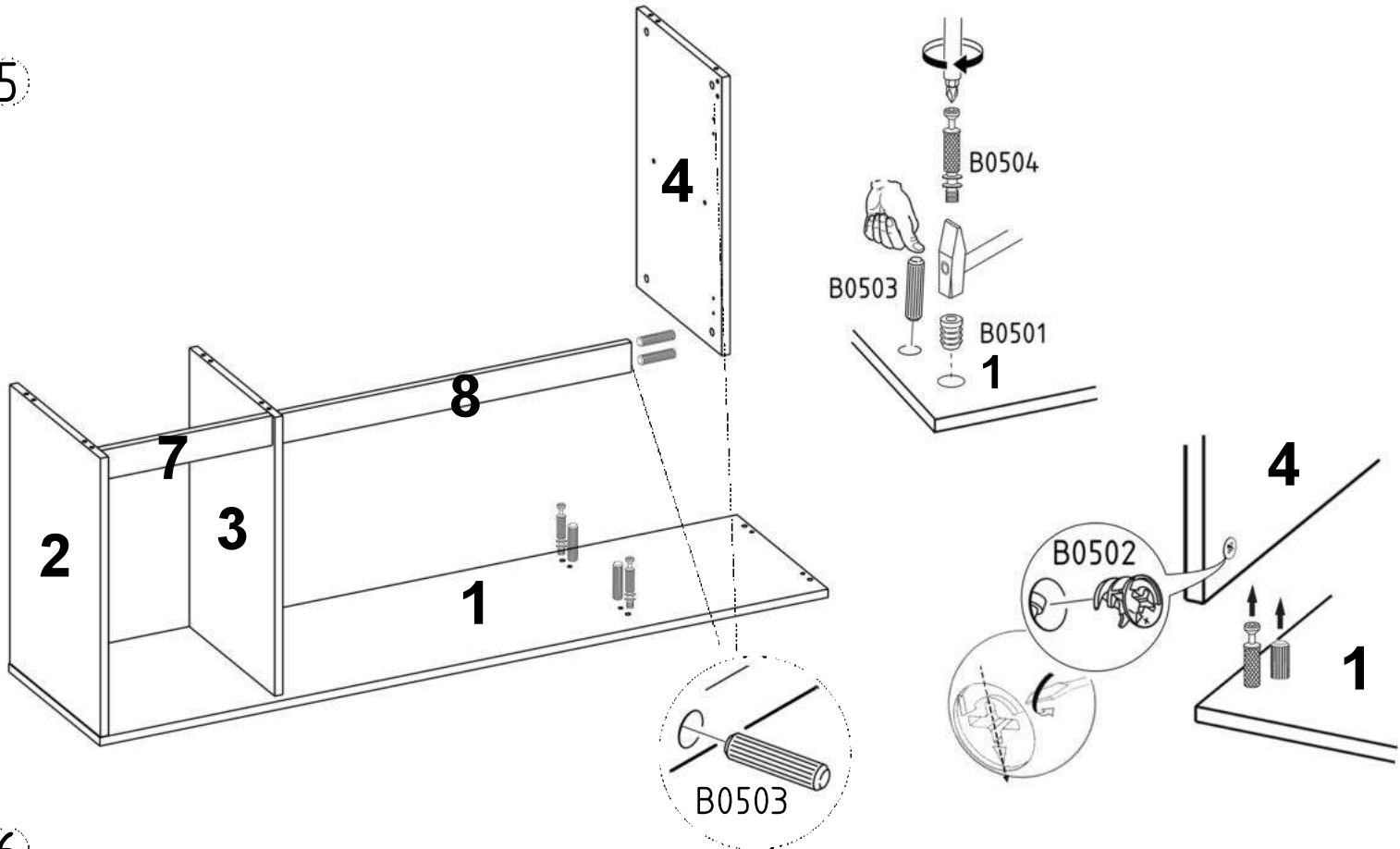
B0501



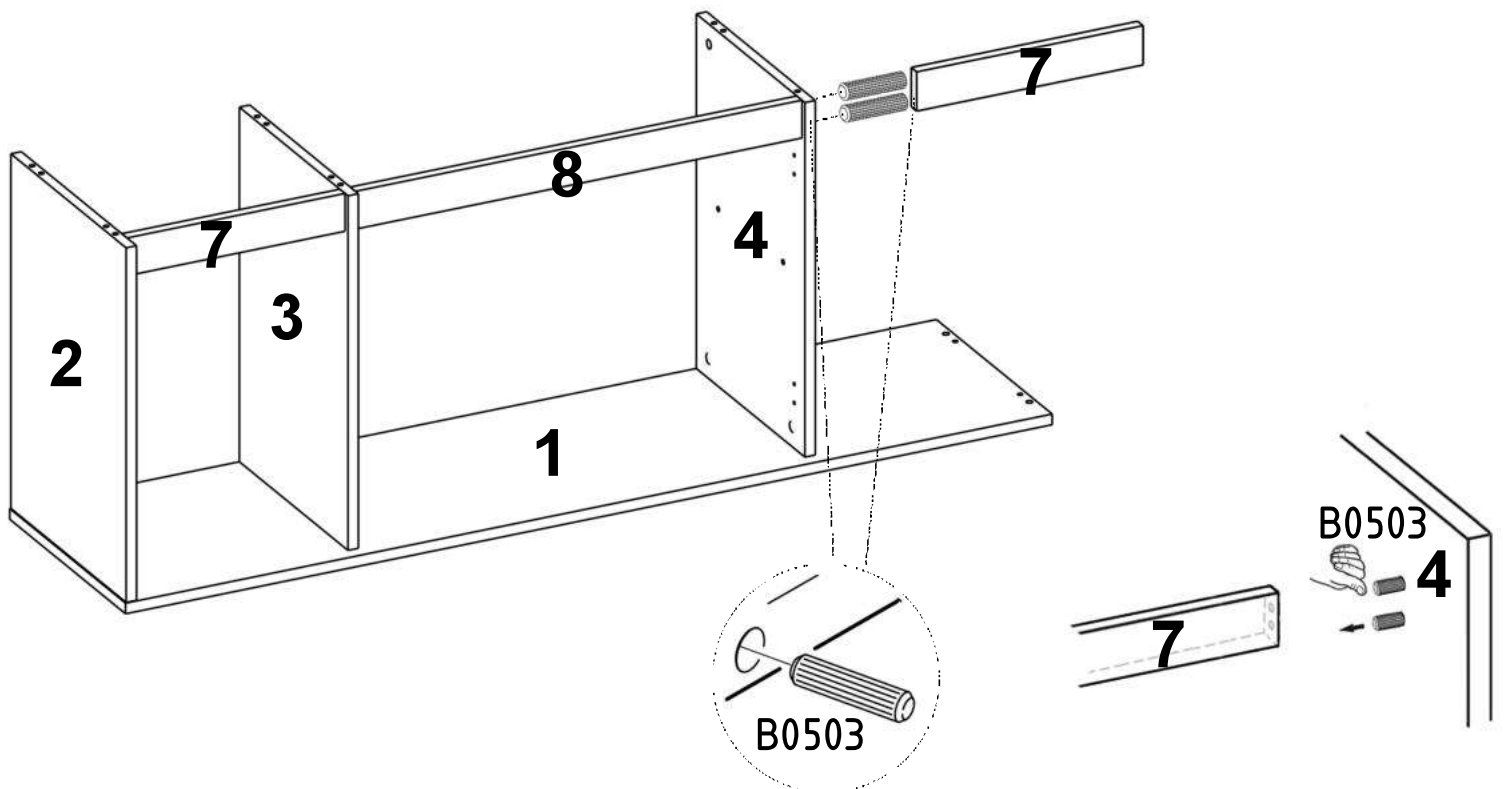
x2



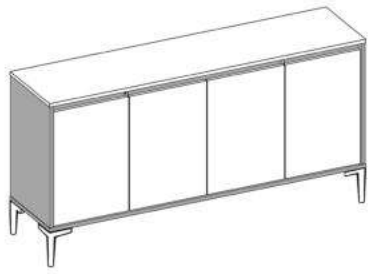
5



6



5



B0502



x2

B0503



x4

B0504



x2

B0501

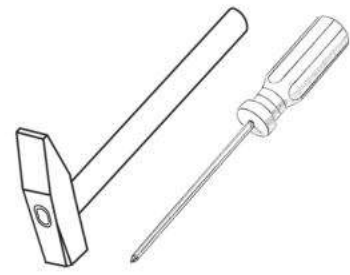


x2

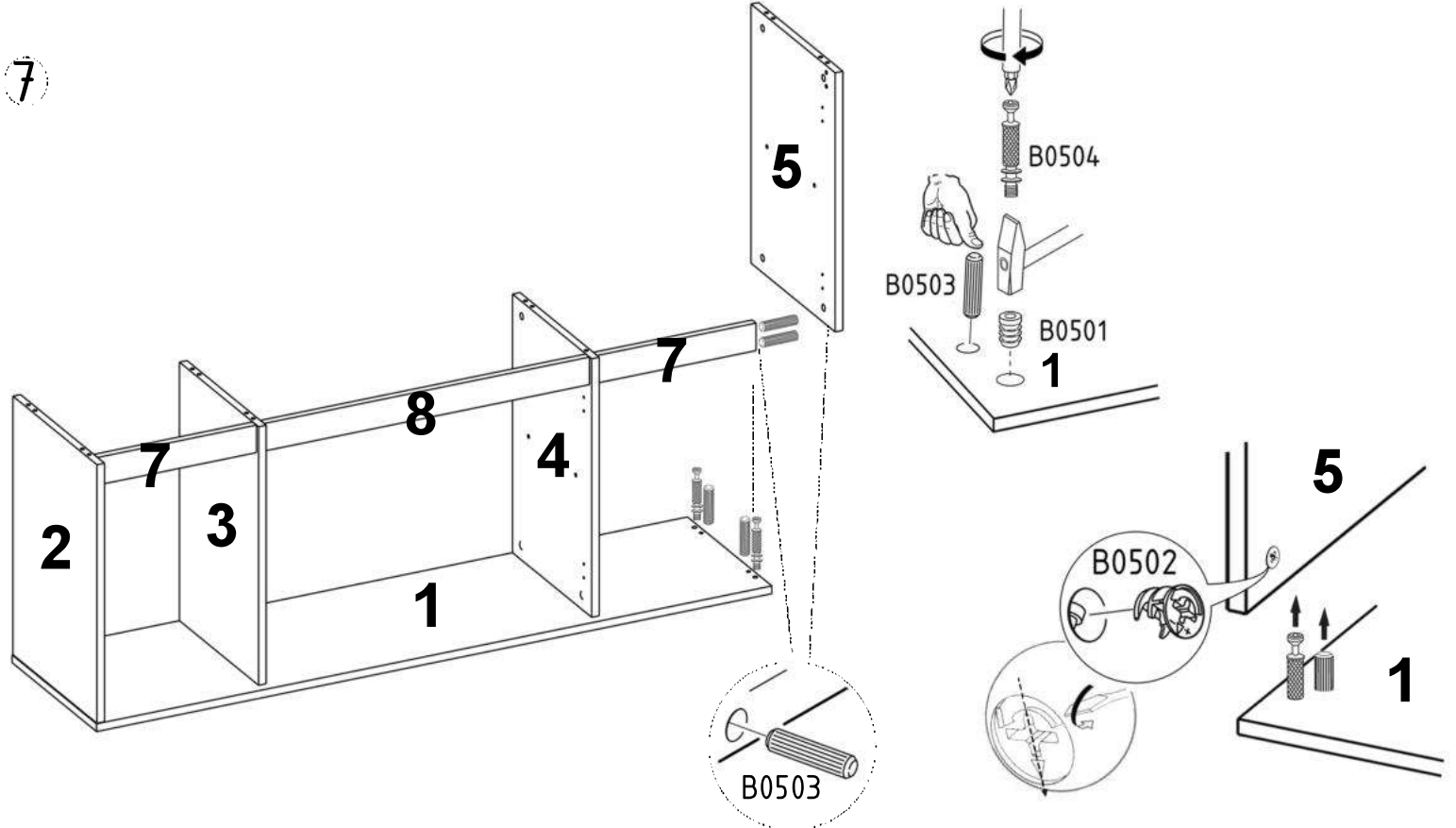
B0509



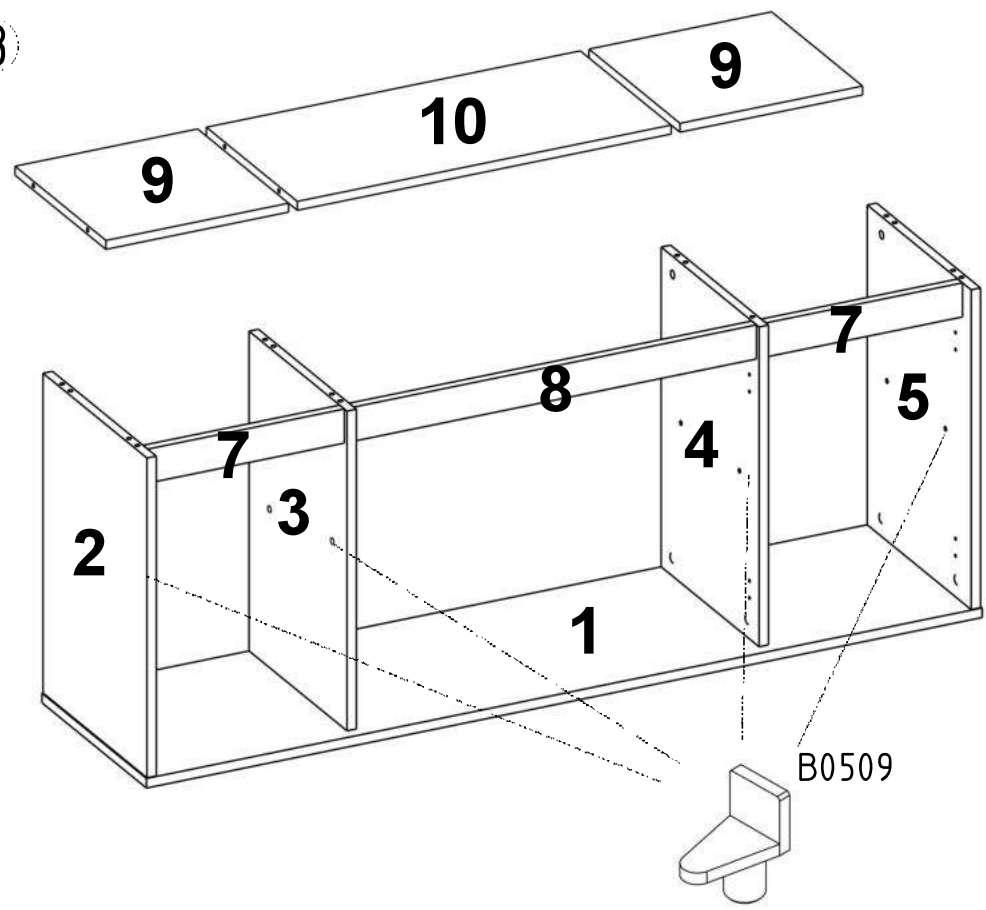
x12



7



8



6



B0502

B0503

B0504

B0501

B0103

B0102

B0105

B0326

B1004

B0301



x8



x8



x8



x8



x4



x4



x8



x20

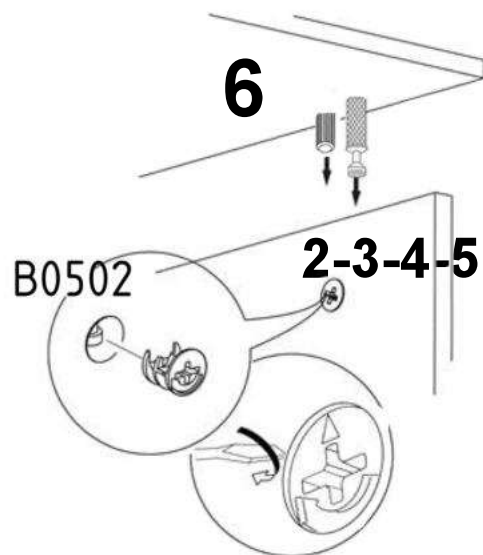
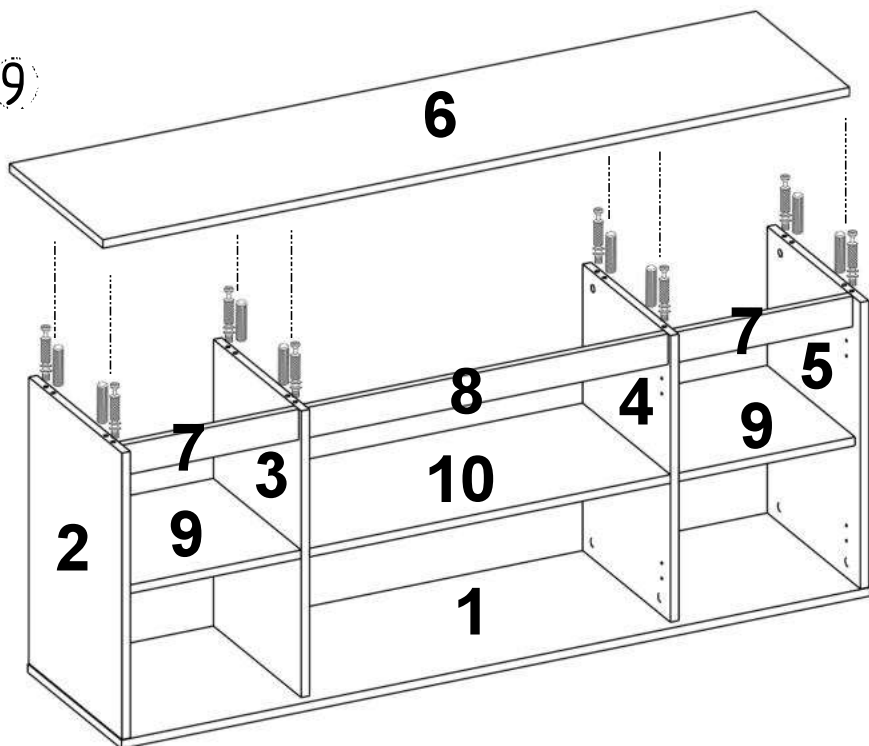


x5

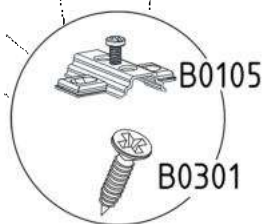
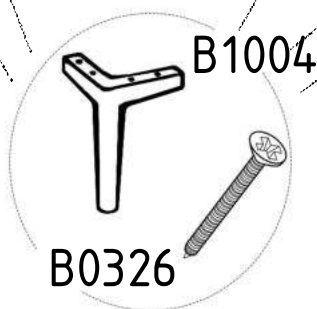
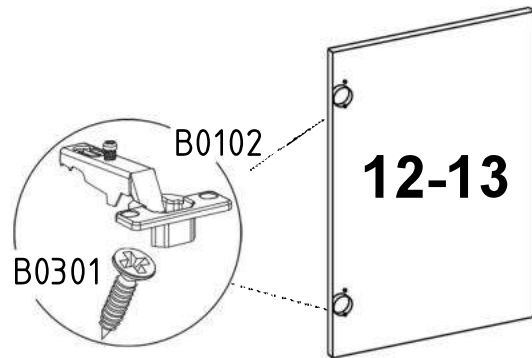
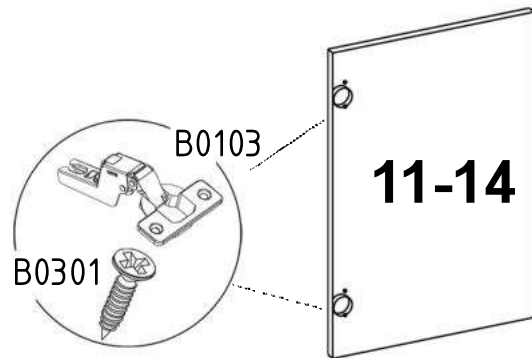
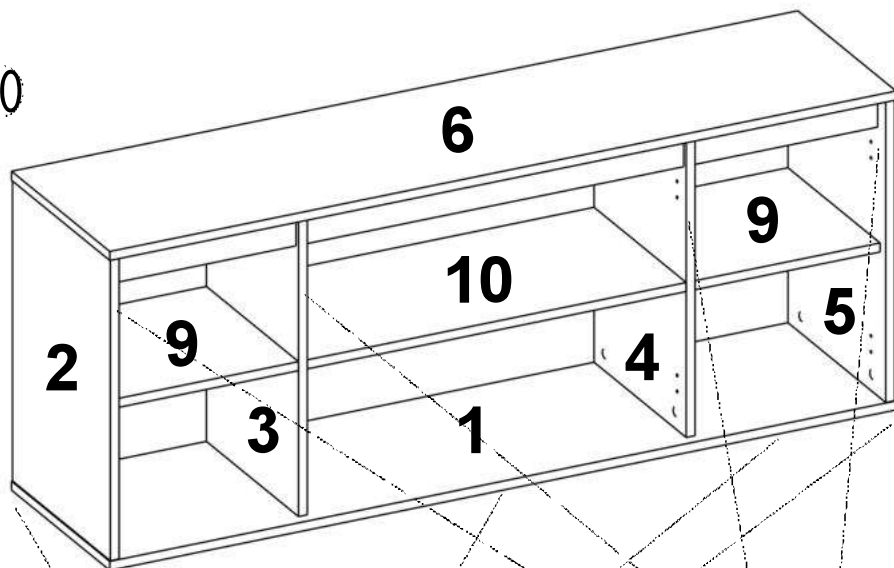


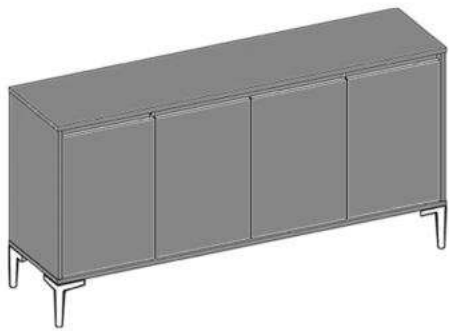
x32

9



10

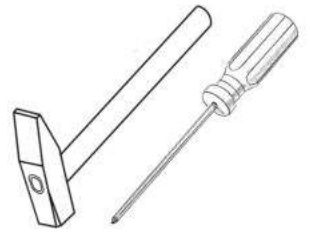




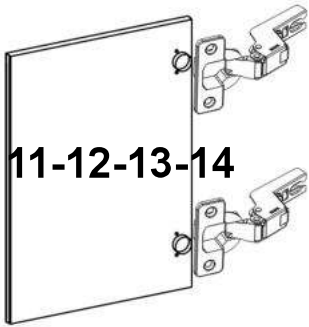
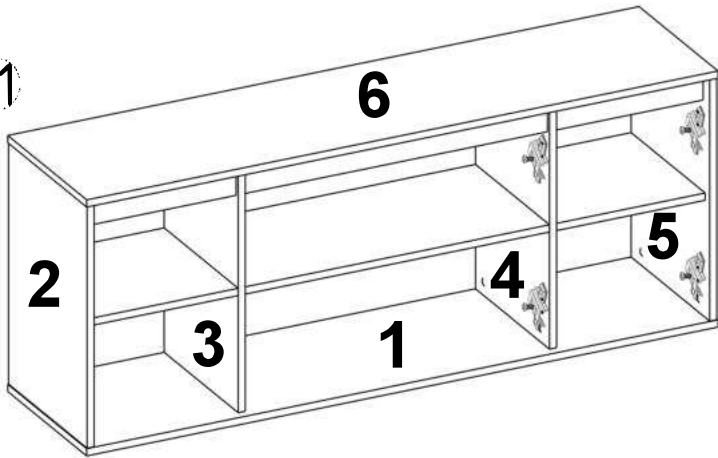
B0318



x24



11



12

