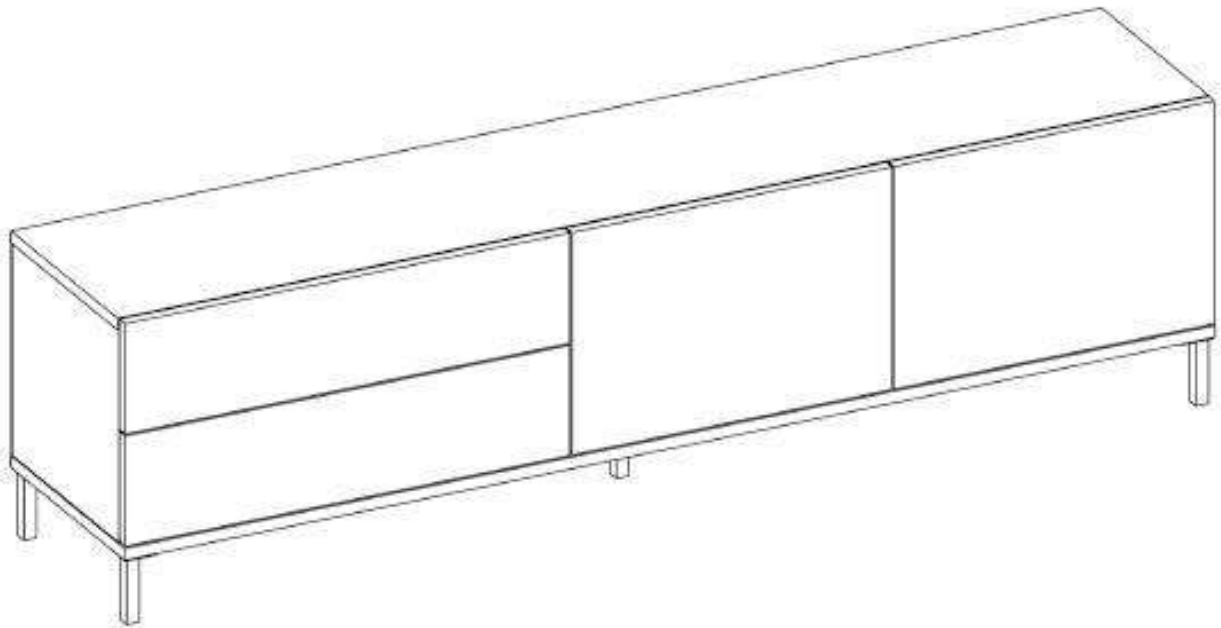









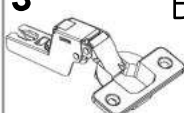



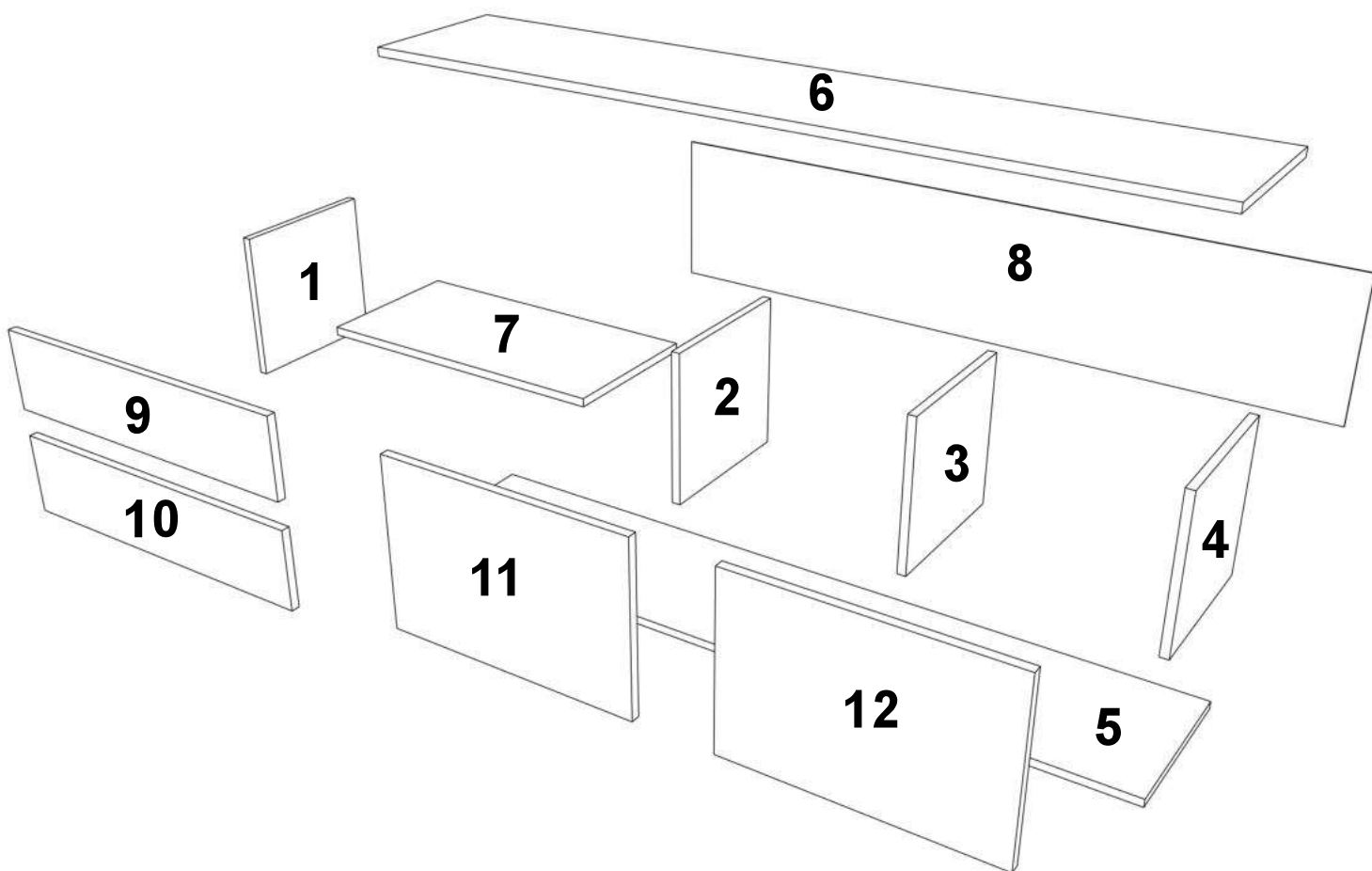
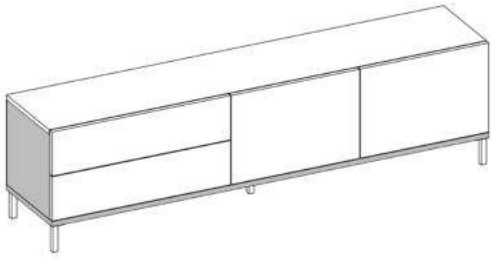


# LV6



<b>1</b>  B0501 x16	<b>1</b>  B0502 x16	<b>1</b>  B0503 x16	<b>1</b>  B0504 x16	<b>2</b>  B0301 x65
<b>1</b>  B0507 x4	<b>P</b>  D0154 x5	<b>2</b>  B1702 x5	<b>3</b>  B0105 x8	<b>3</b>  B0103 x8
<b>2</b>  B0318 x30	<b>2</b>  B1405 x4	<b>P</b>  B1102 x2		





B0502



x8

B0503



x8

B0504

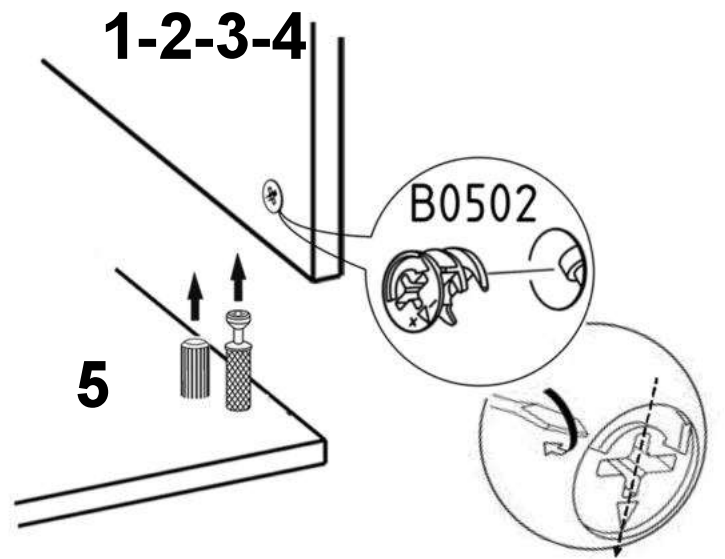
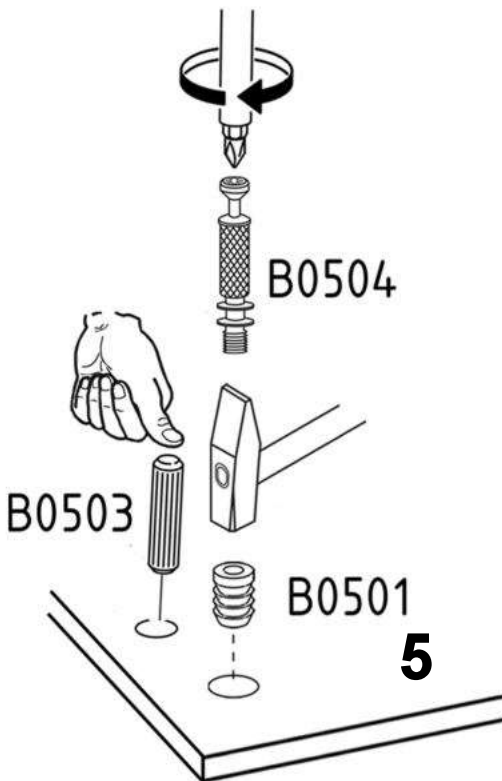
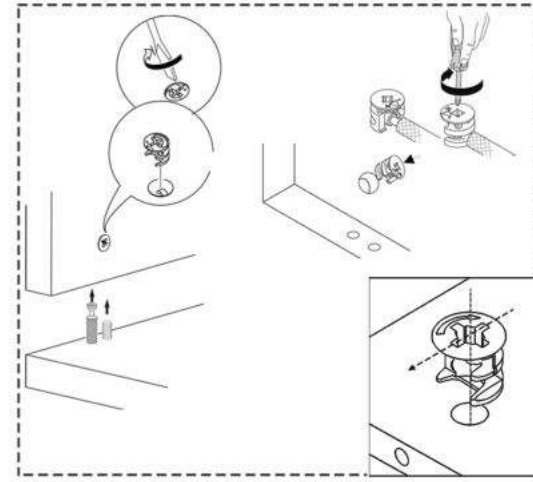
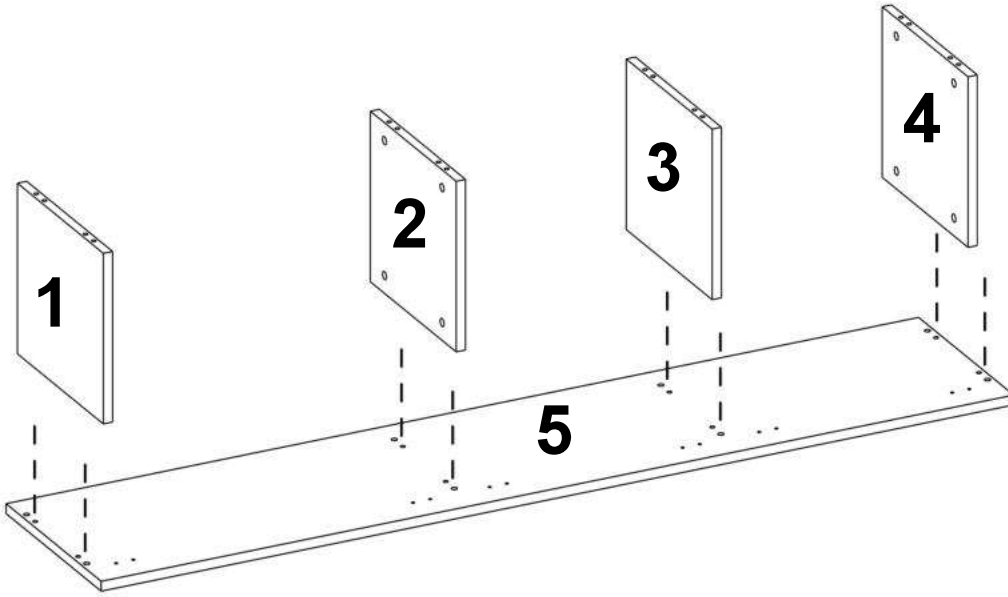
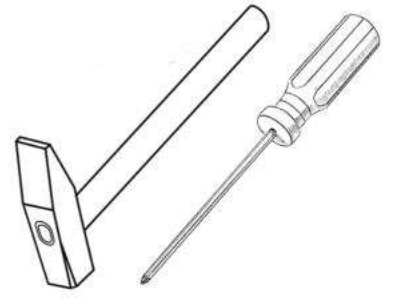


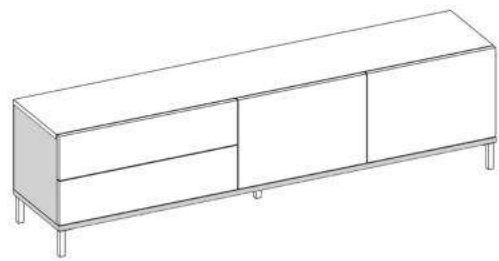
x8

B0501



x8

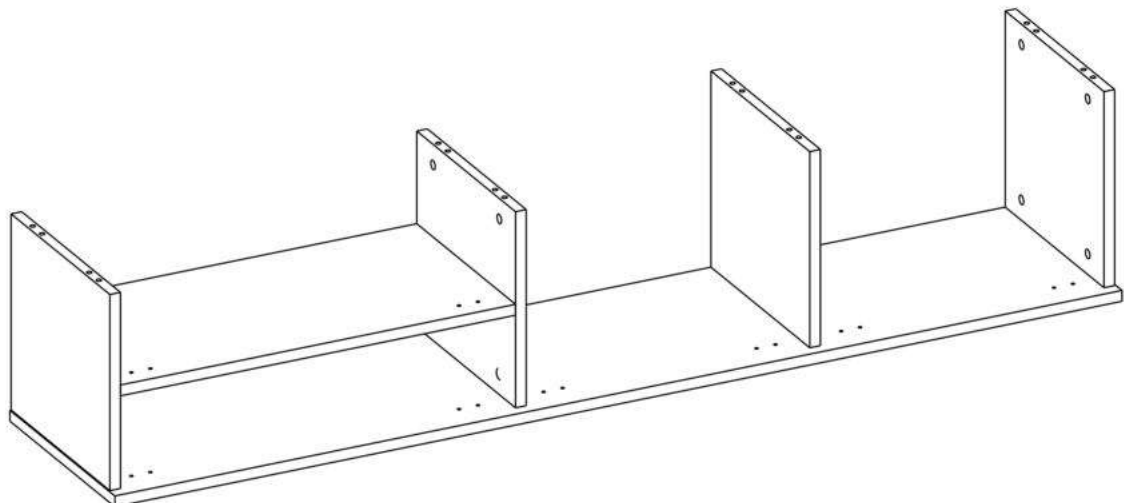
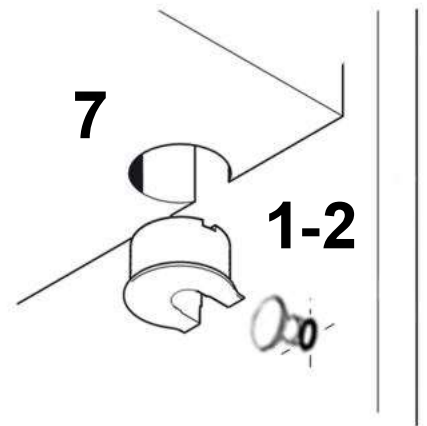
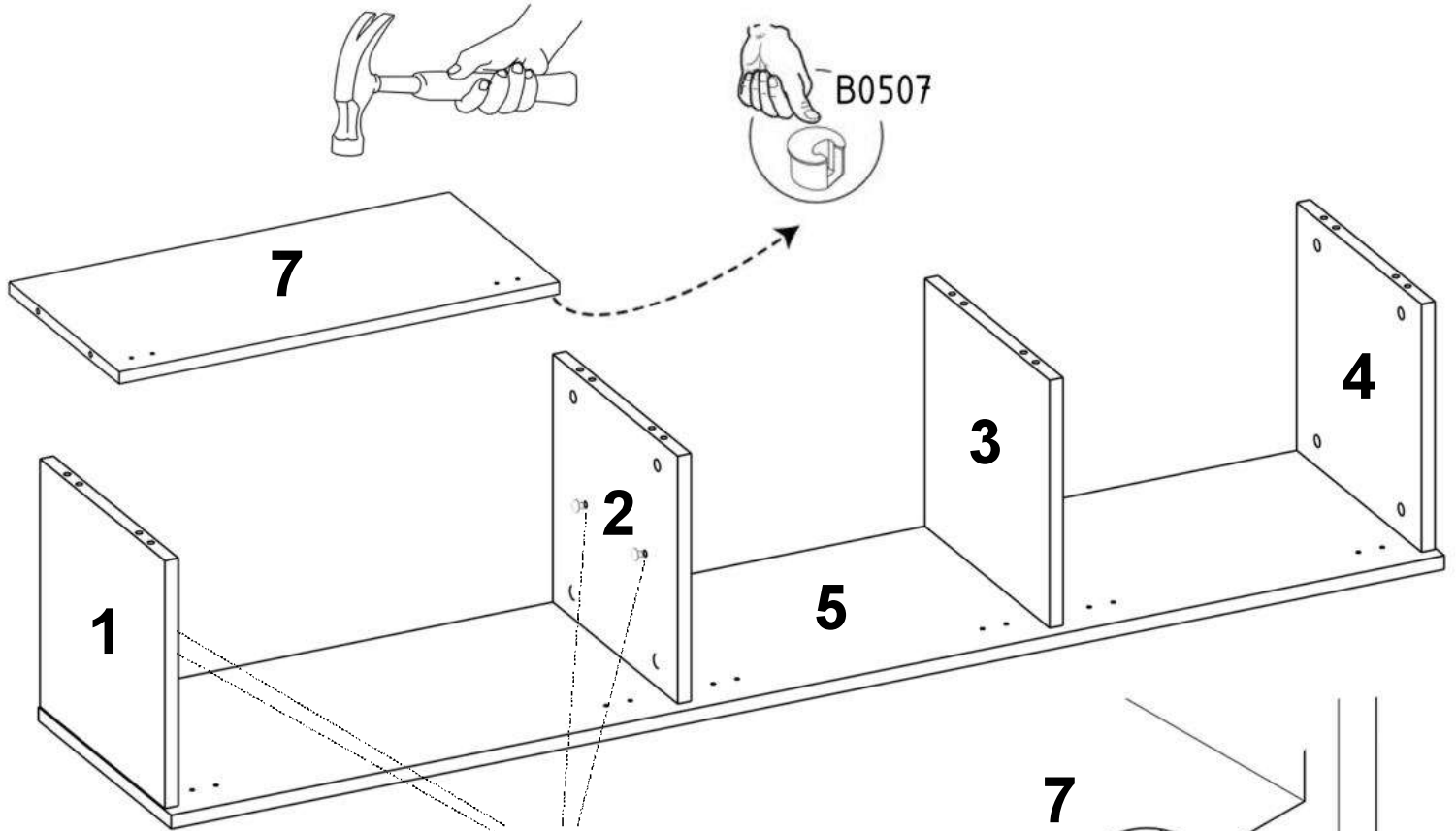
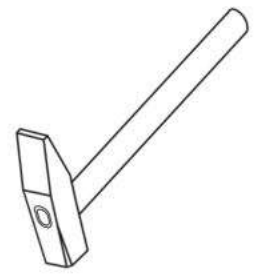


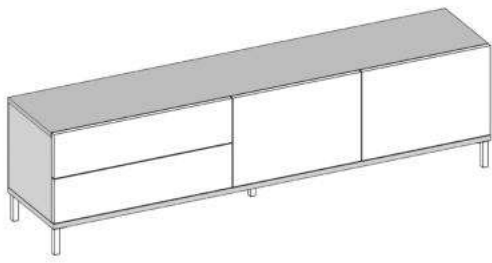


B0507



x4





B0502

B0503

B0504

B0501

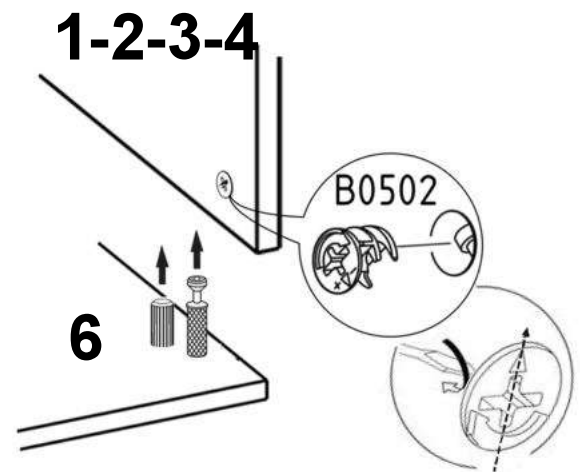
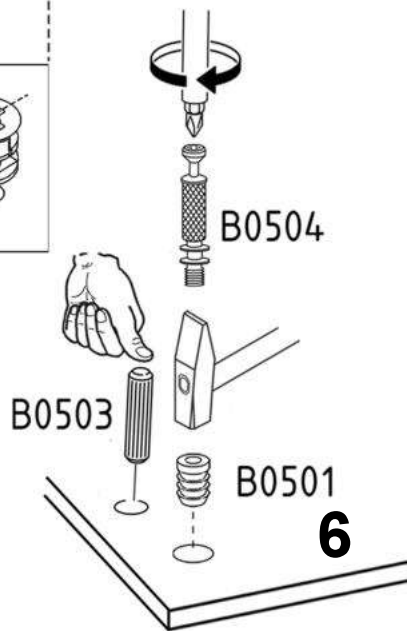
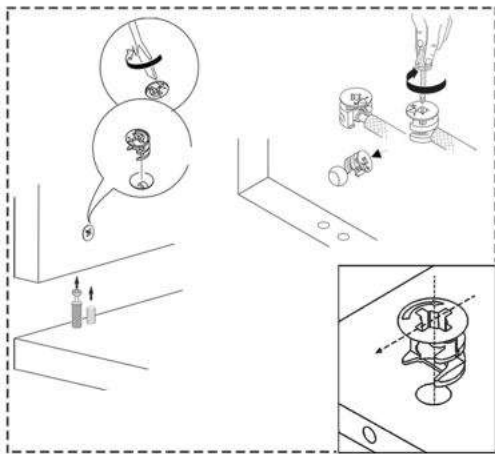
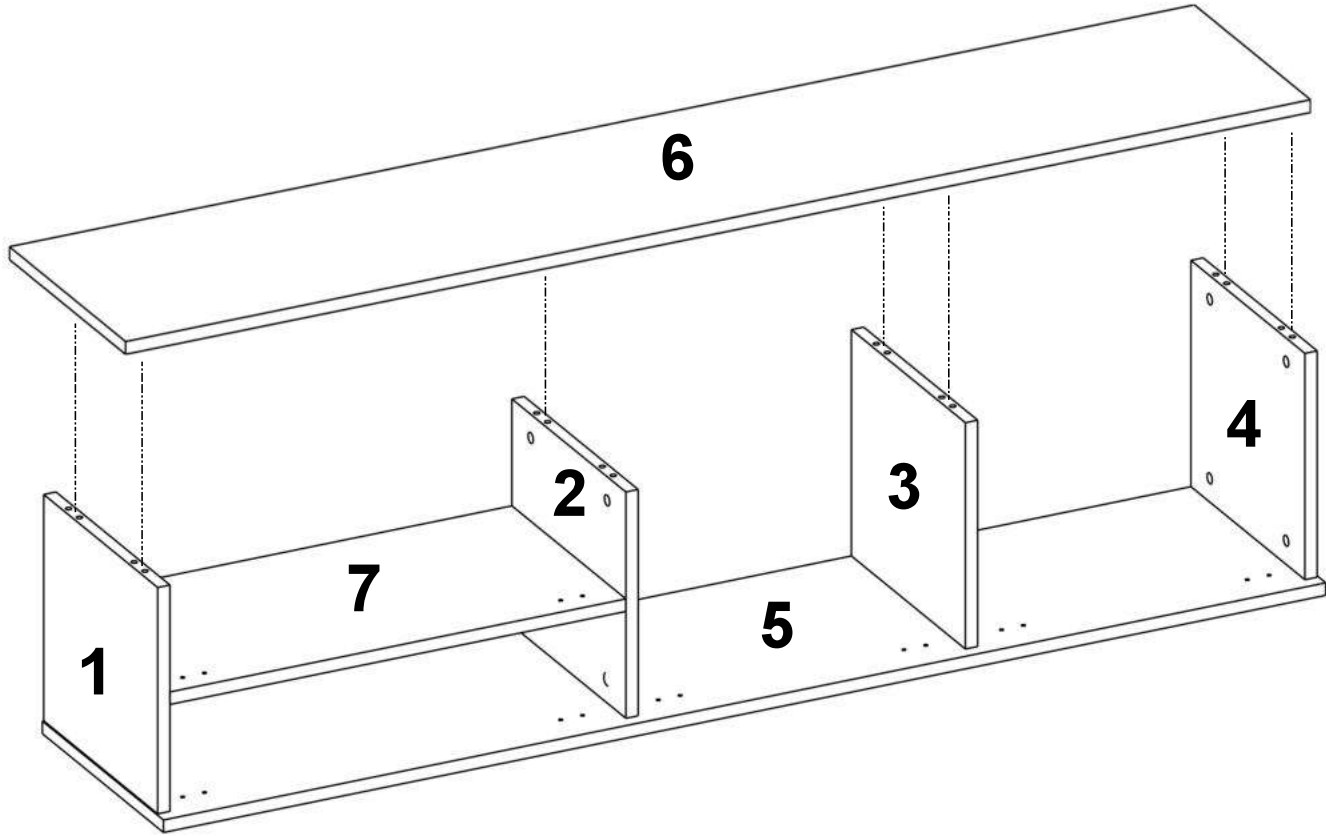


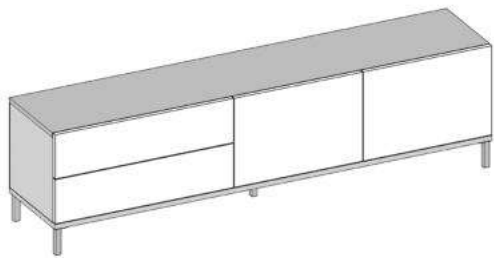
x8

x8

x8

x8





D0154



x5

B0301

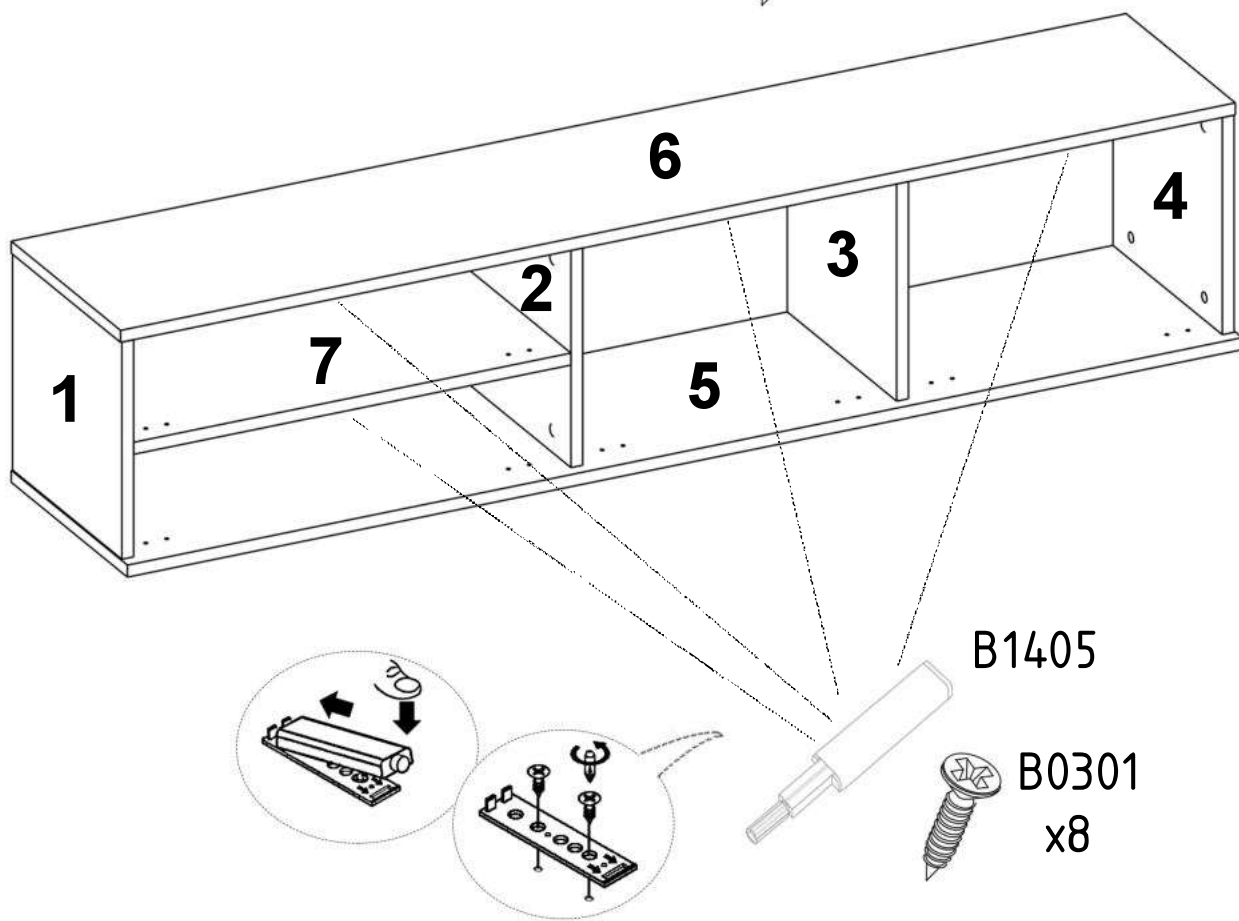
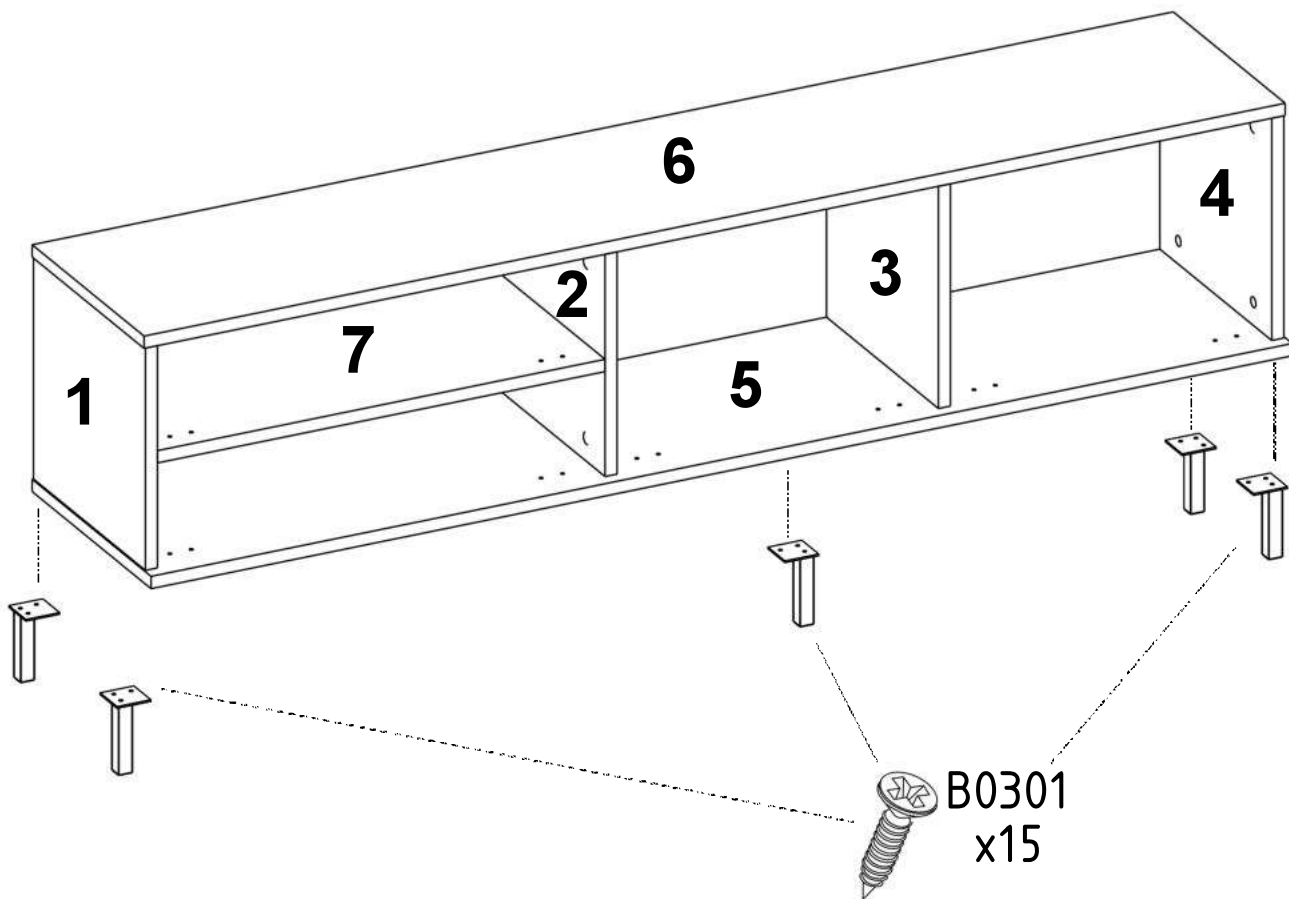


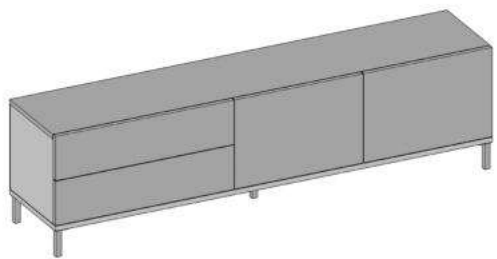
x23

B1405



x4





B0105



x8

B0301

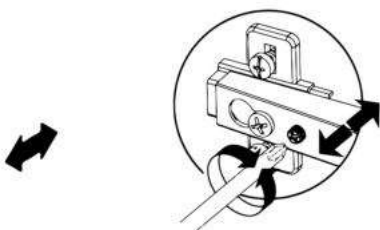
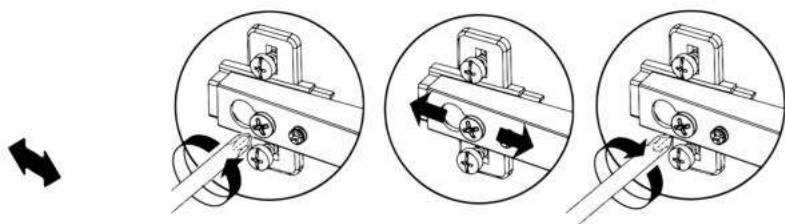
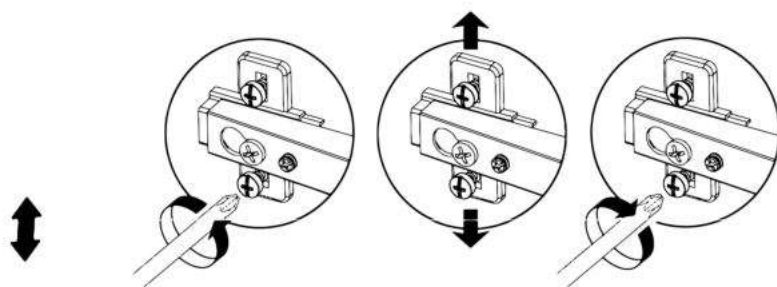
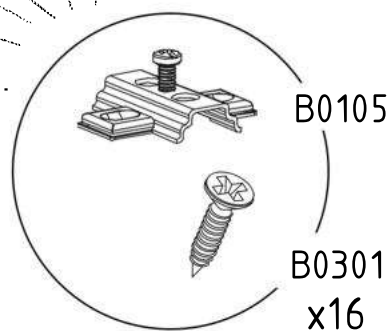
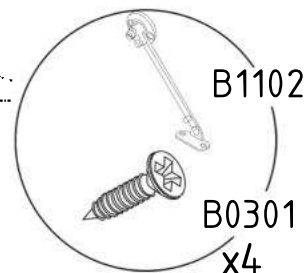
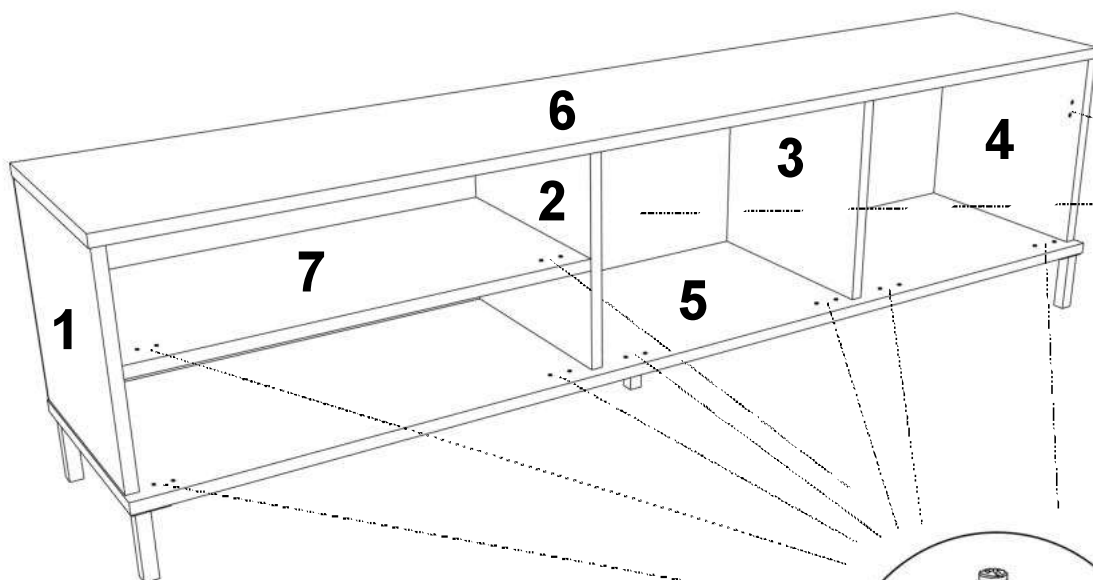


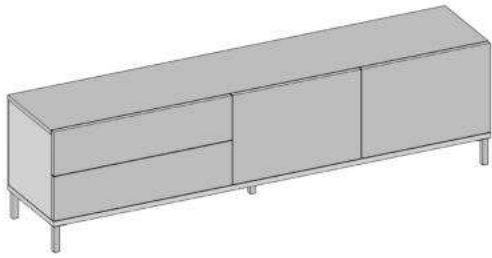
x20

B1102



x2





B0103



x8

B0301

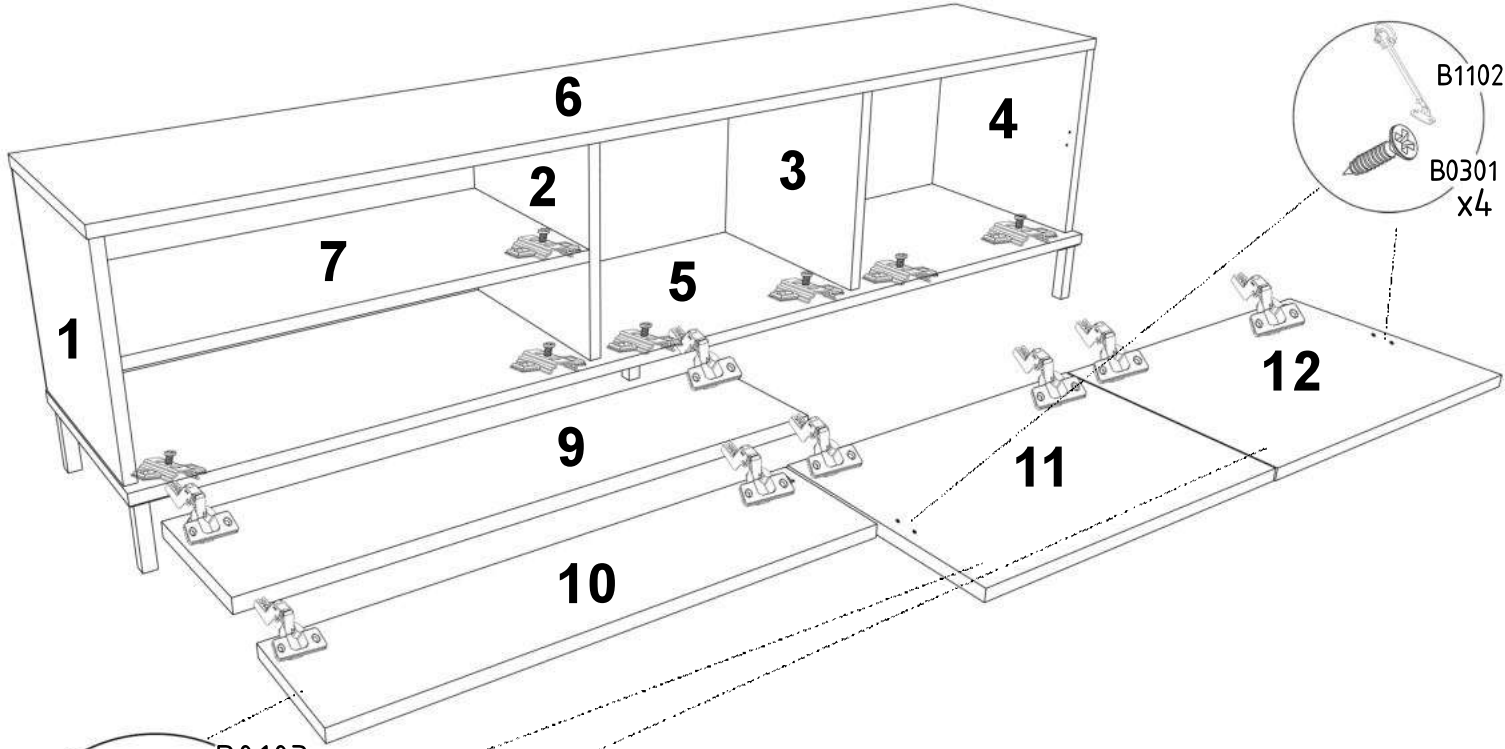


x20

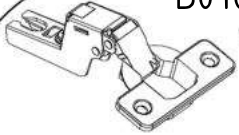
B1102



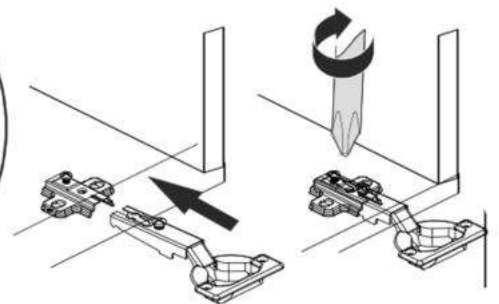
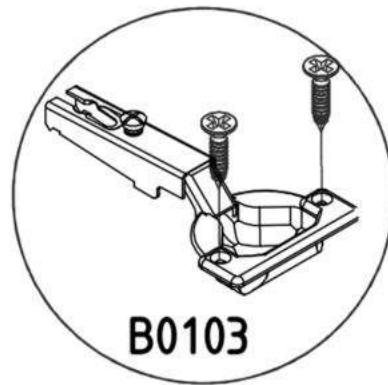
x2



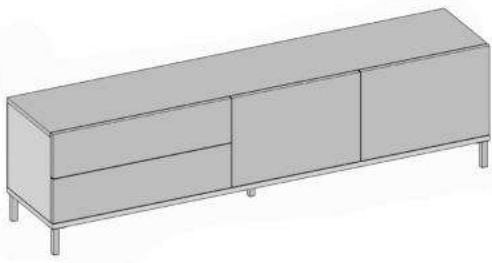
B0103



B0301  
x16







B0318

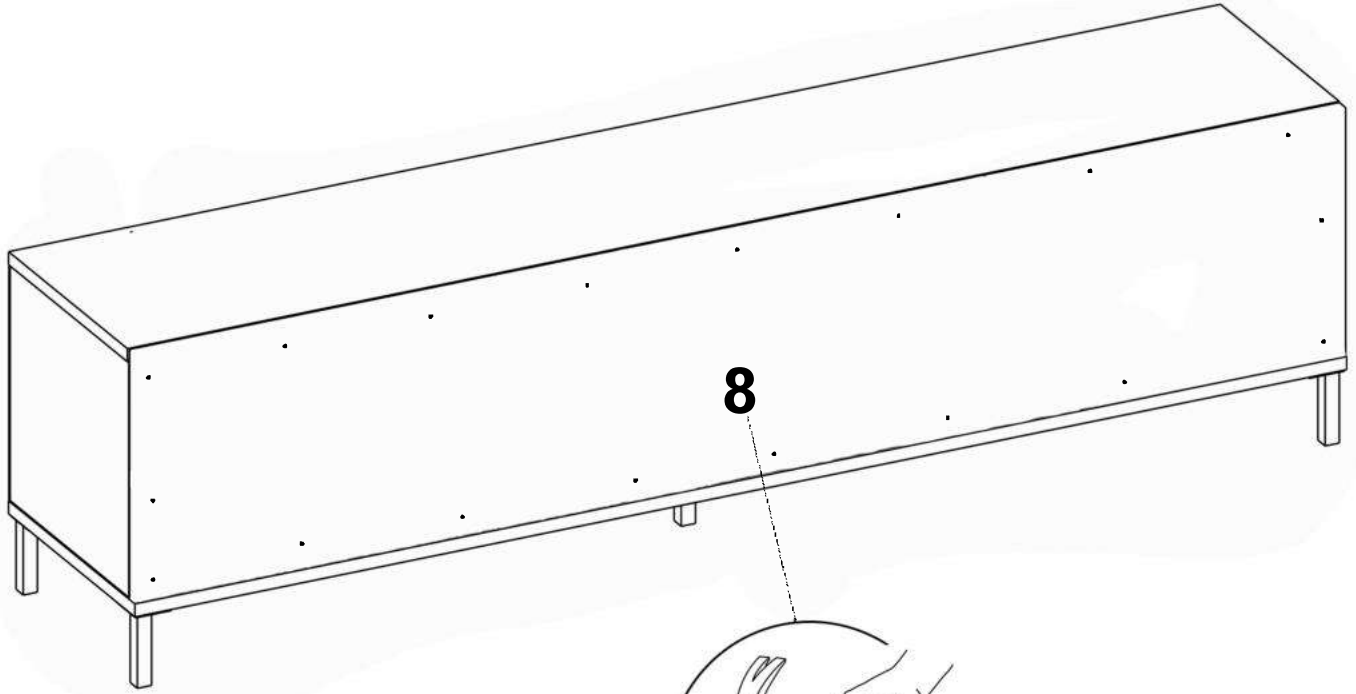
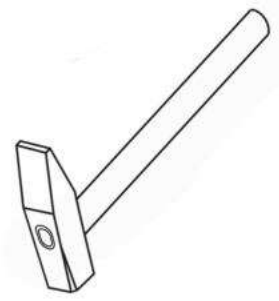


x30

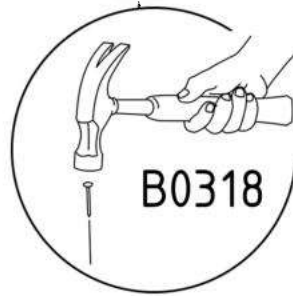
B1702



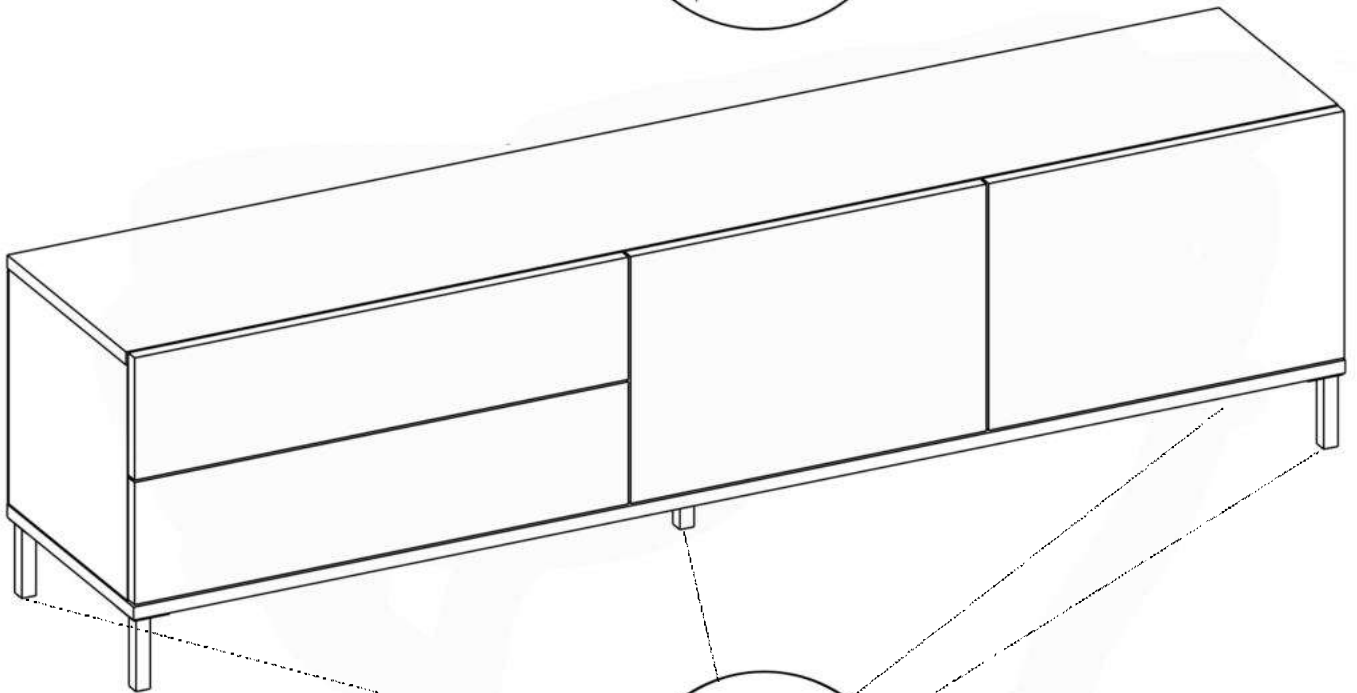
x5



8



B0318



B1702

