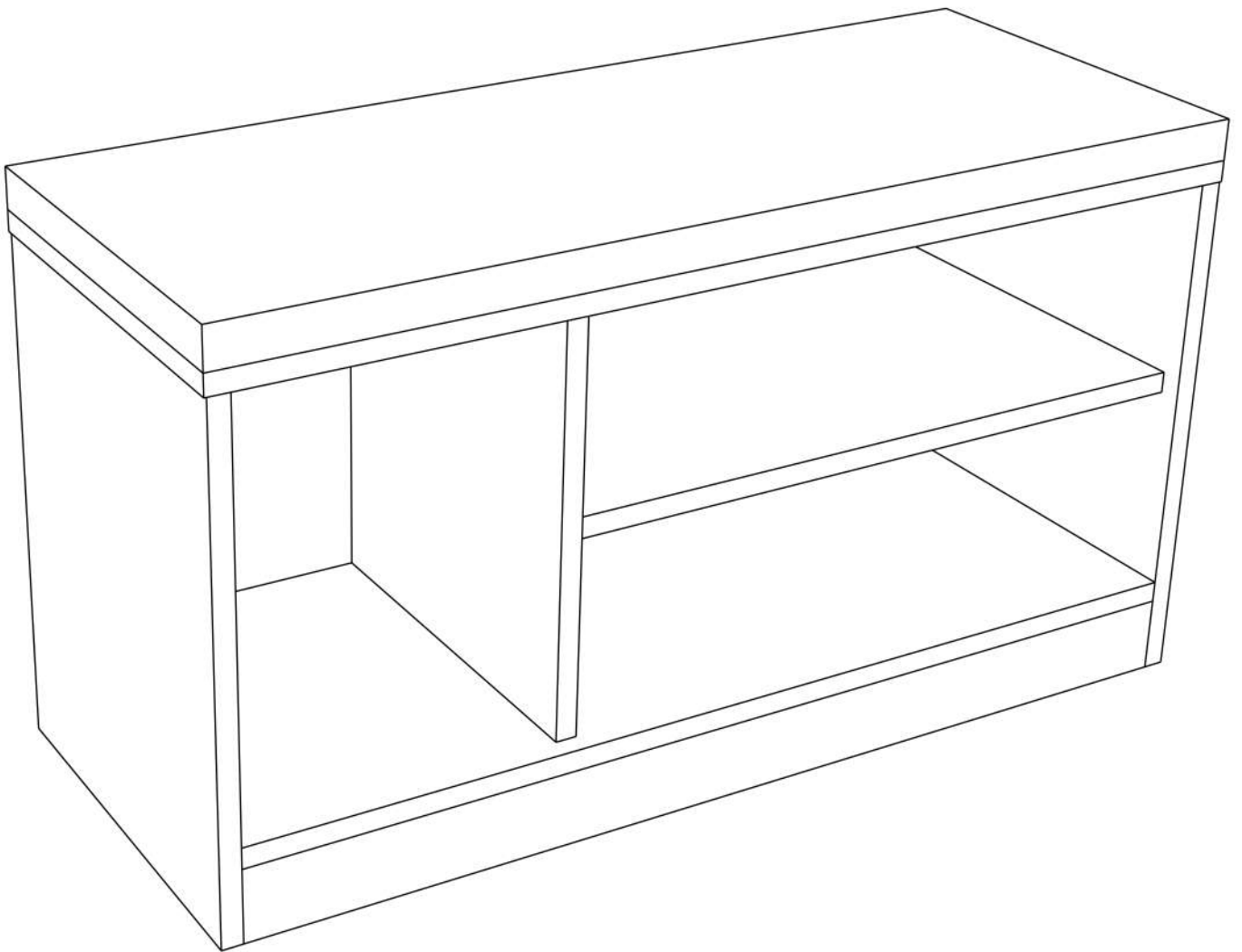






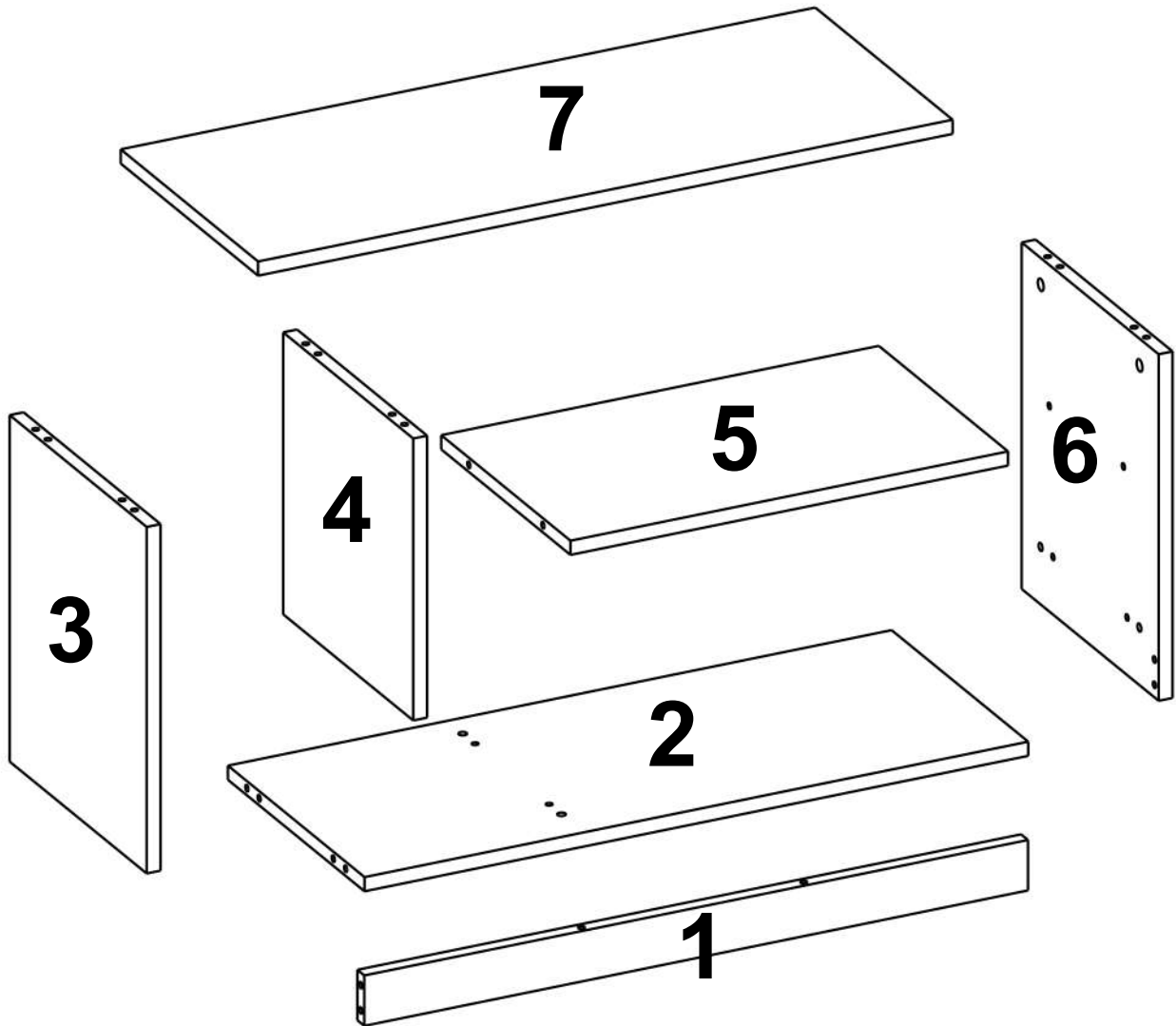
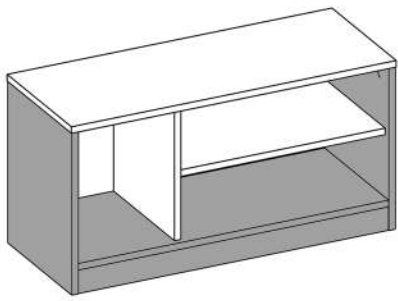


MR1



 <p>B0501 x12</p>	 <p>B0502 x12</p>	 <p>B0503 x18</p>	 <p>B0504 x12</p>	 <p>B0507 x4</p>
 <p>B2302 x1</p>				





B0502



x4

B0503



x10

B0504

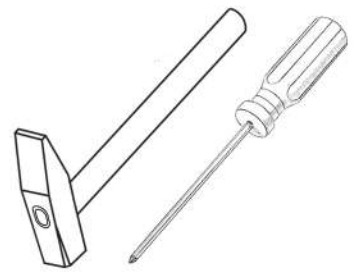


x4

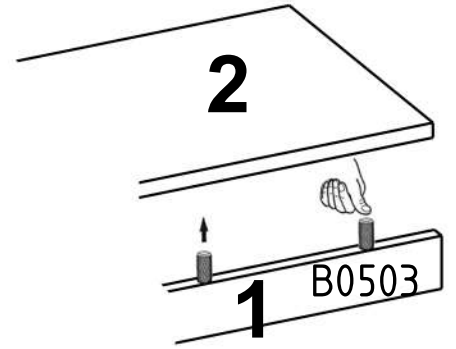
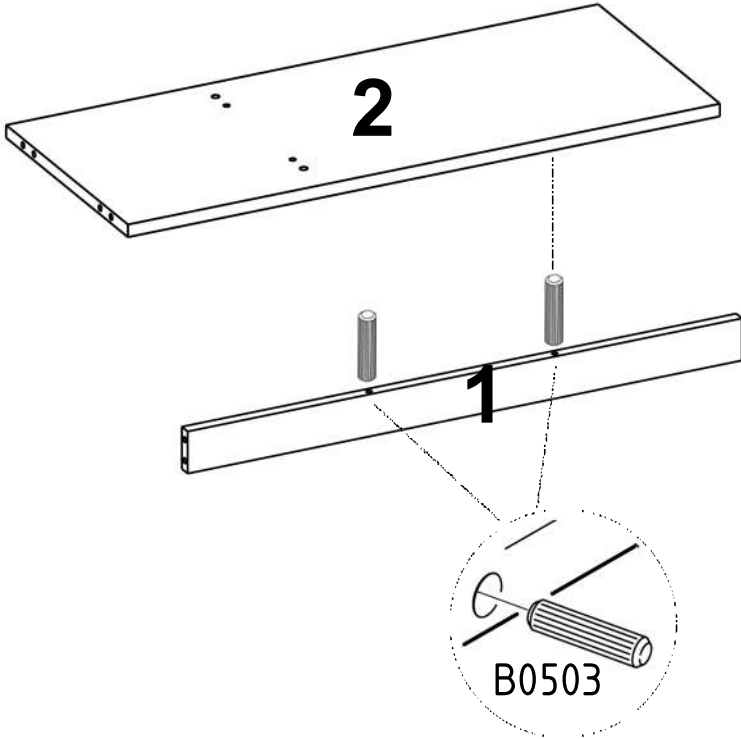
B0501



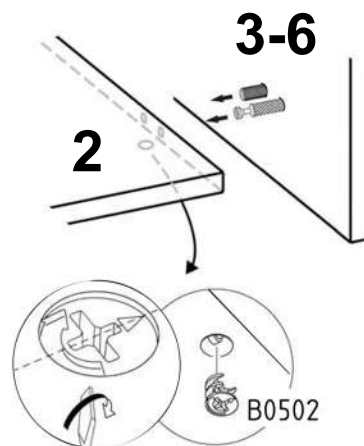
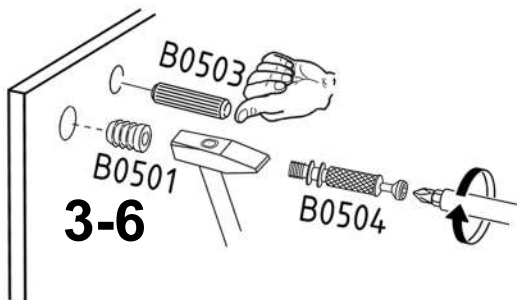
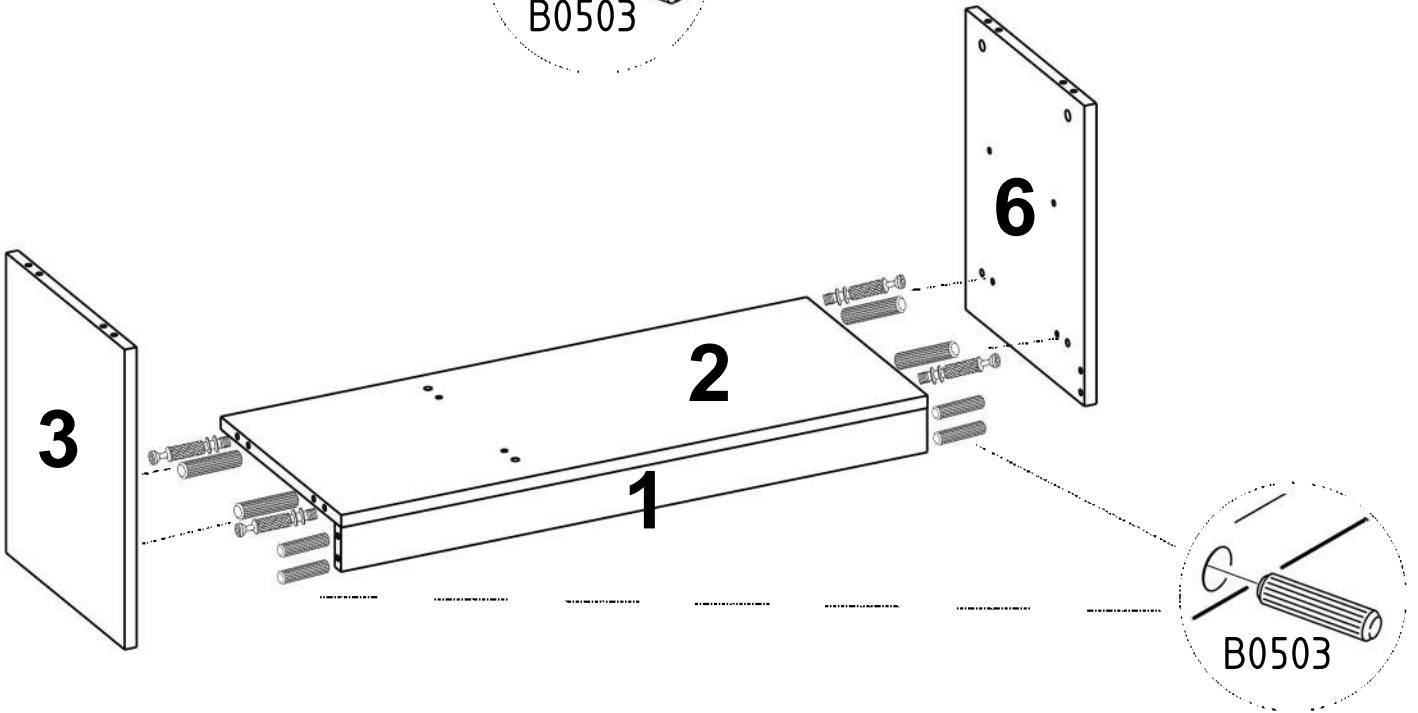
x4



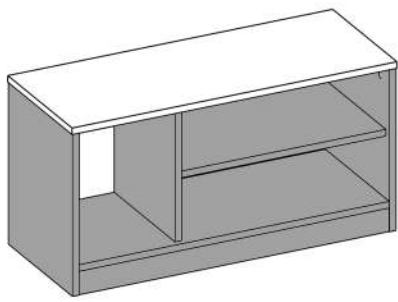
1



2



3



B0502



x2

B0503



x2

B0504



x2

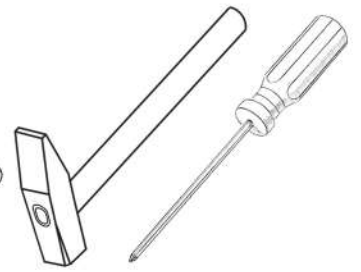
B0501



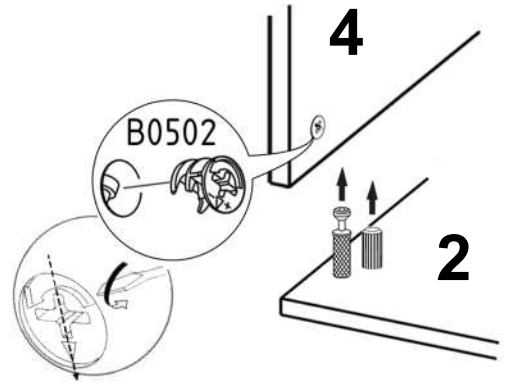
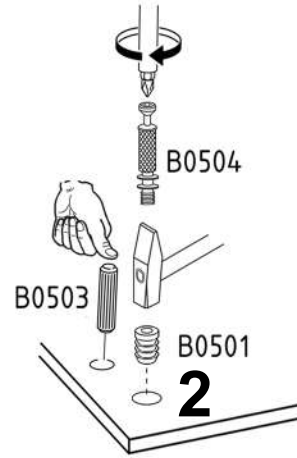
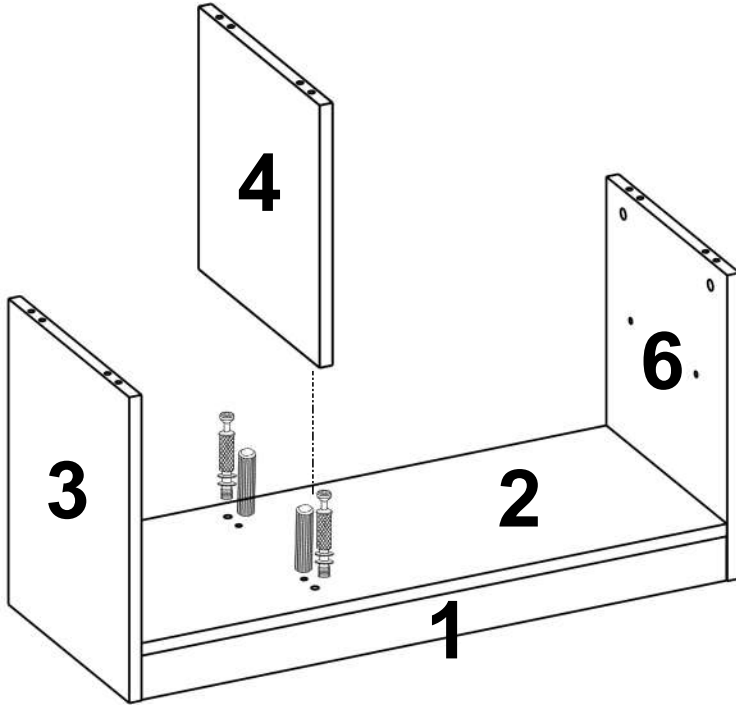
x2



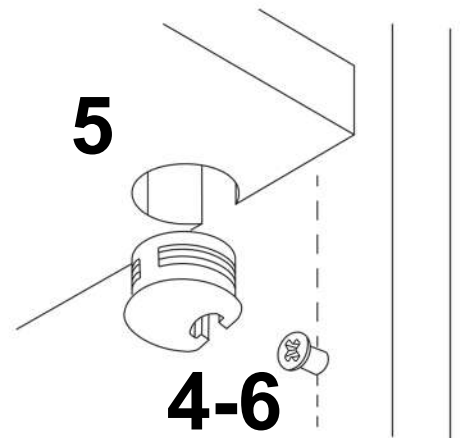
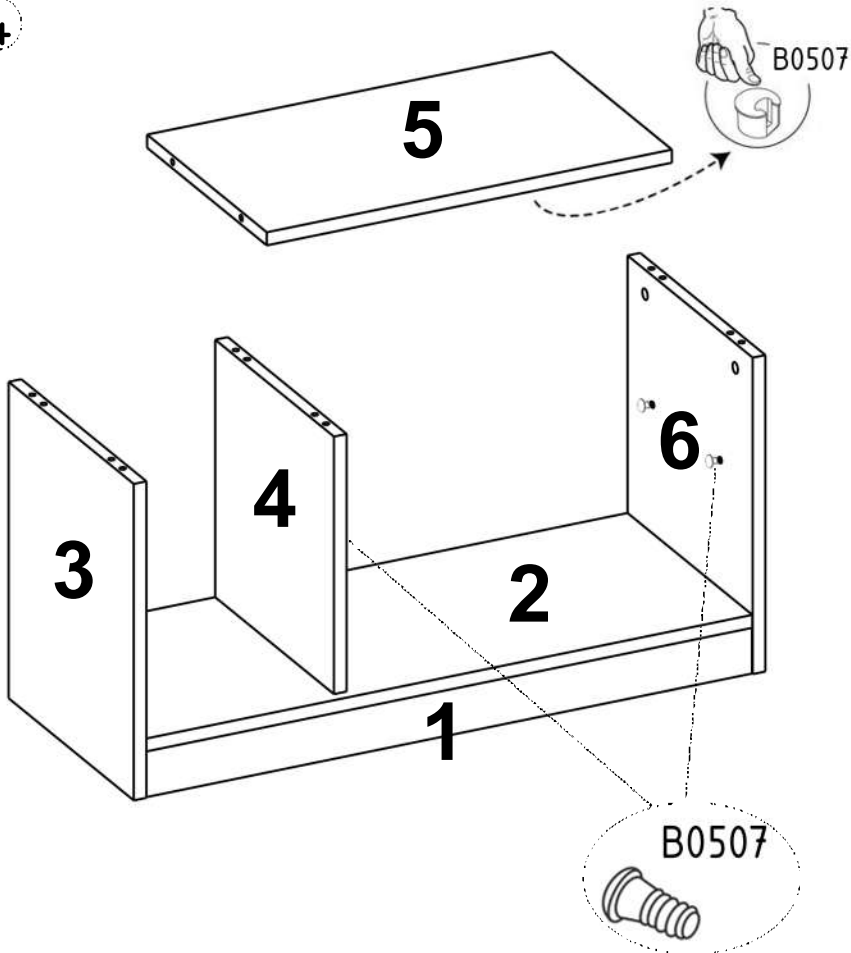
x4

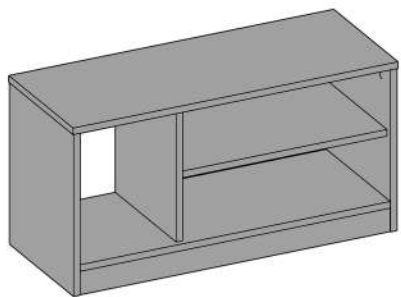


3



4





B0502 B0503 B0504 B0501



x6



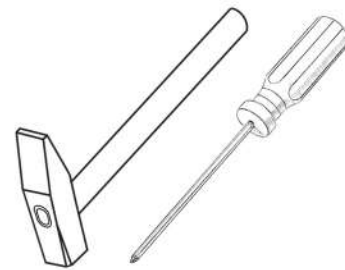
x6



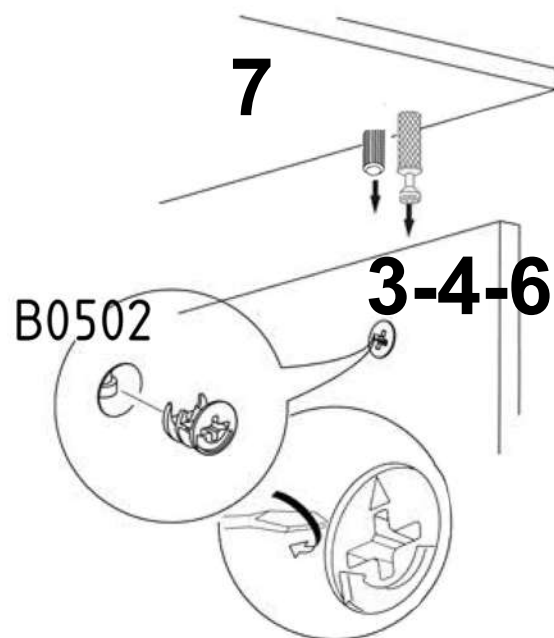
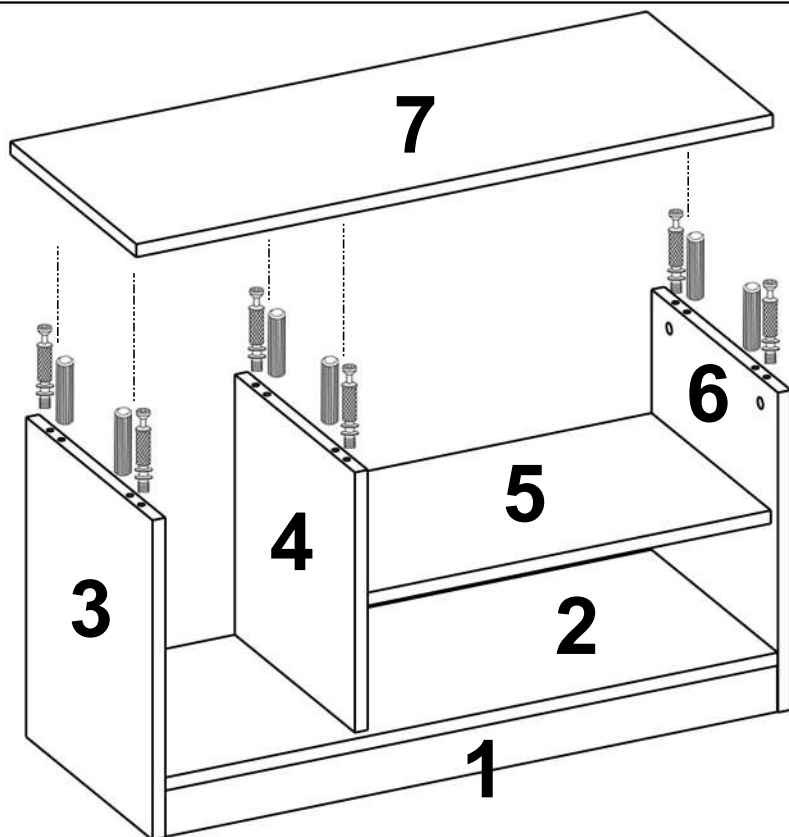
x6



x6



5



6

