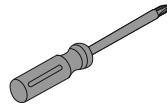
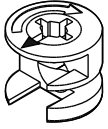
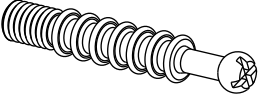
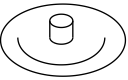
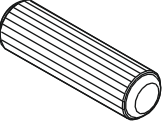
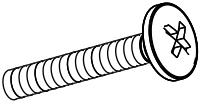
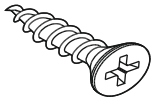
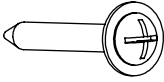

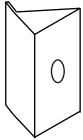
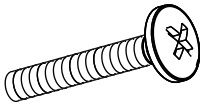
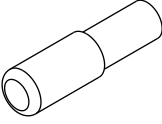
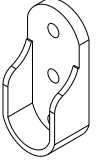
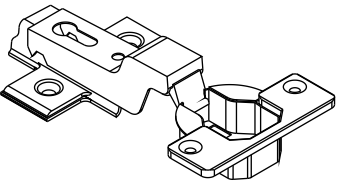
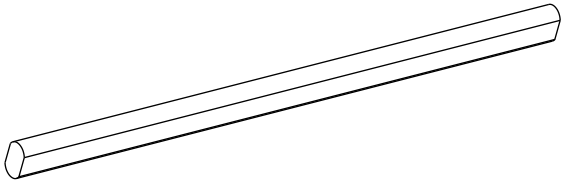


PRODUCT NAME	SPORT WARDROBE
MODEL NUMBER	CHIPBOARD, PLASTIC

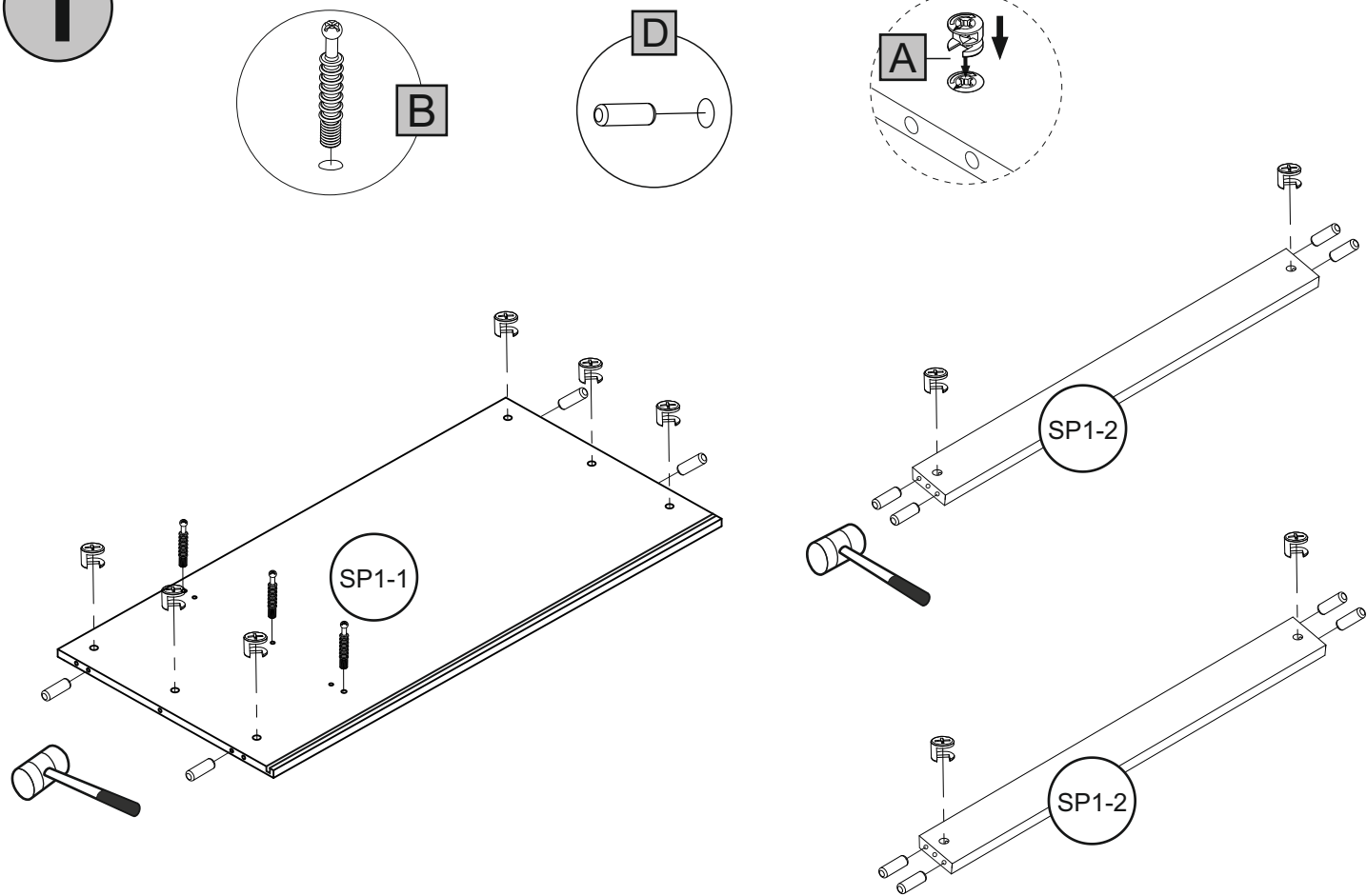


ASSEMBLY INSTRUCTIONS

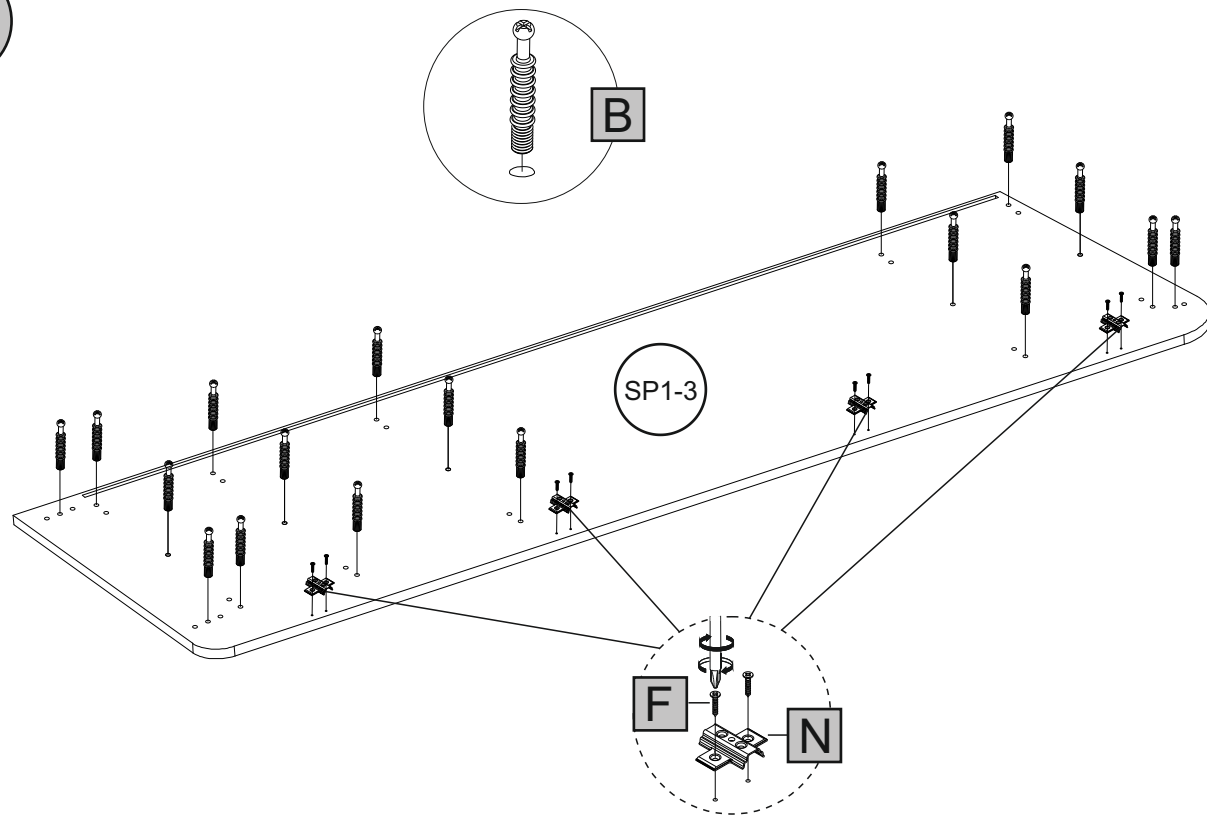


A 	B 	C 	D 
<p>MINIFIX NUT x50 pc.</p>	<p>MINIFIX STUD x50 pc.</p>	<p>MINIFIX WHITE PLUG x50 pc.</p>	<p>DOWEL x45 pc.</p>
E 	F 	G 	H 
<p>YSB SCREWS M6x30 x4 pc.</p>	<p>4x20 BACKREST SCREW x66 pc.</p>	<p>BACK SCREWS M3x25 x15 pc.</p>	<p>HANDLE x3 pc.</p>
I 	K 	L 	M 
<p>CORNER PLASTIC x14 pc.</p>	<p>YSB SCREWS M4x30 x3 pc.</p>	<p>SHELF PIN x16 pc.</p>	<p>HANGER APPARATUS x2 pc.</p>
N 		O 	
<p>CAMEL HINGE x12 pc.</p>		<p>HANGER BAR x1 pc.</p>	

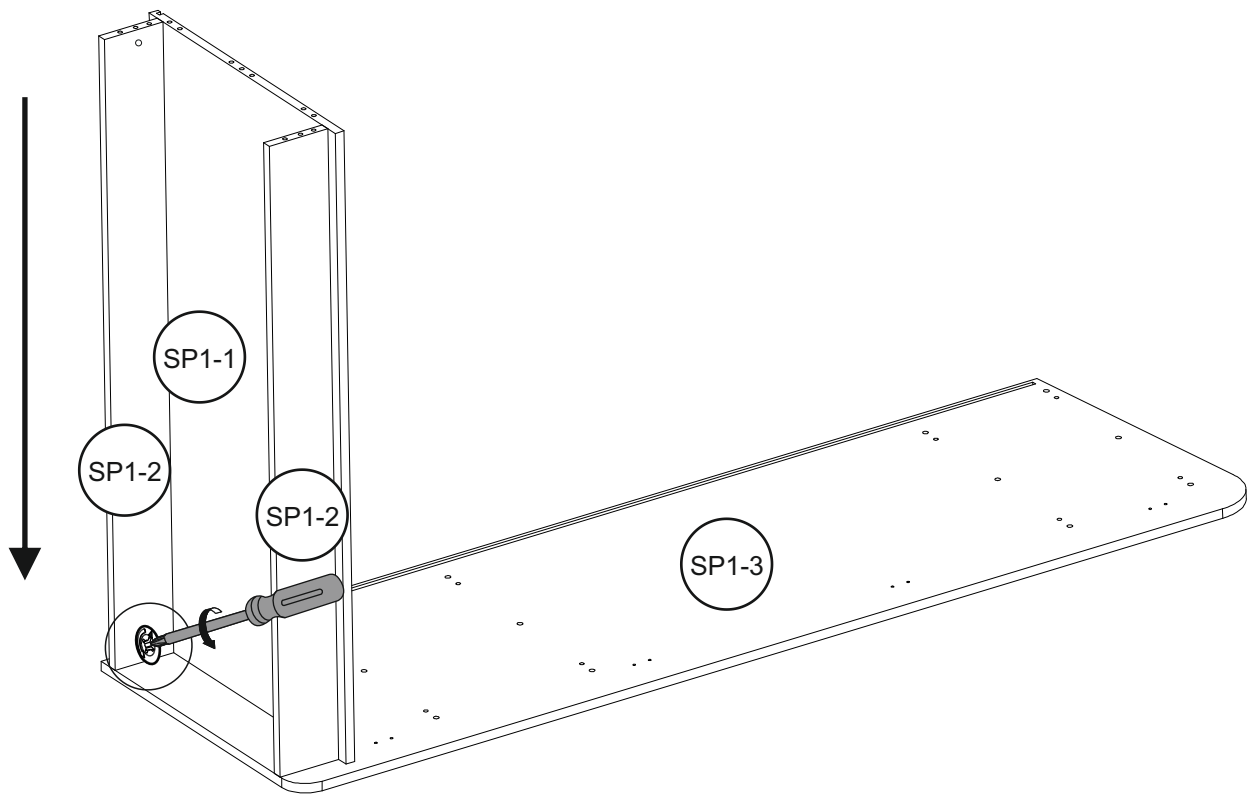
1



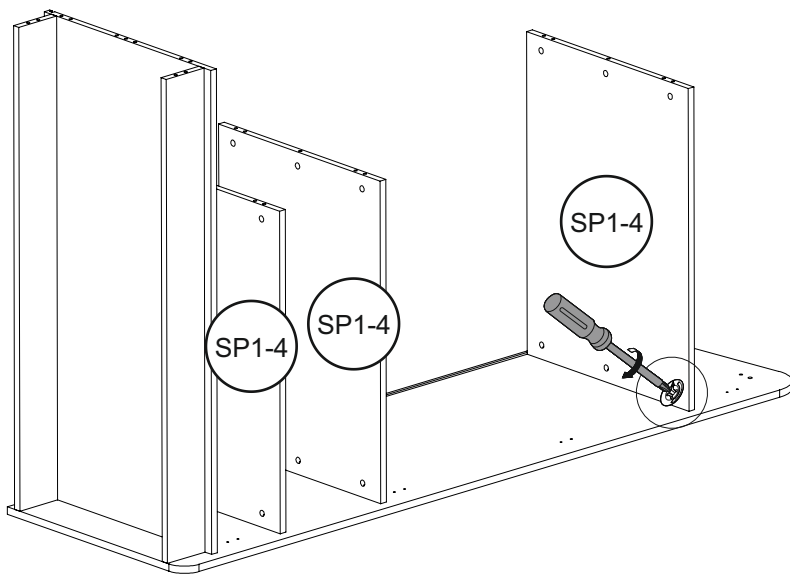
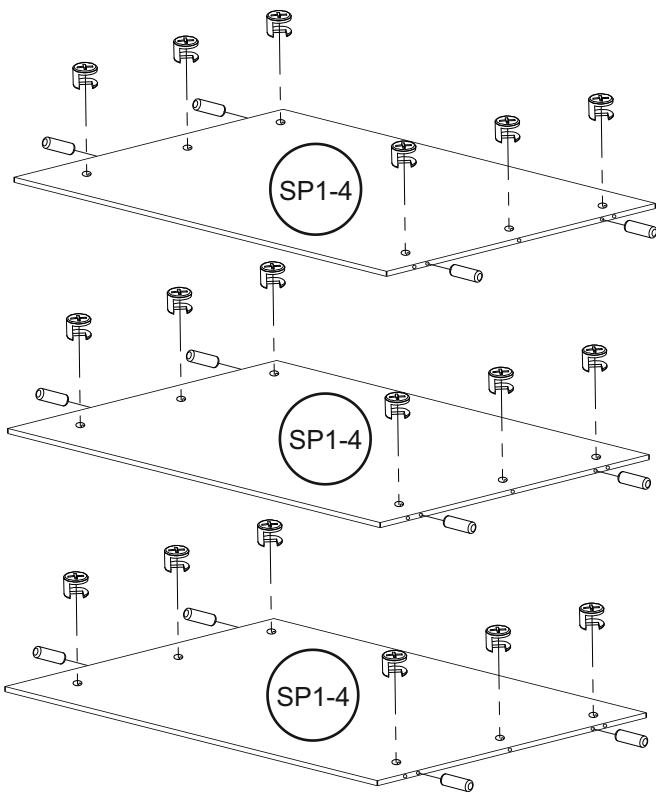
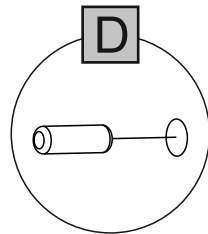
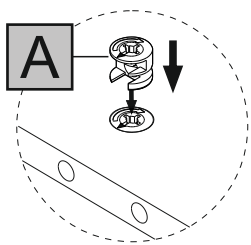
2

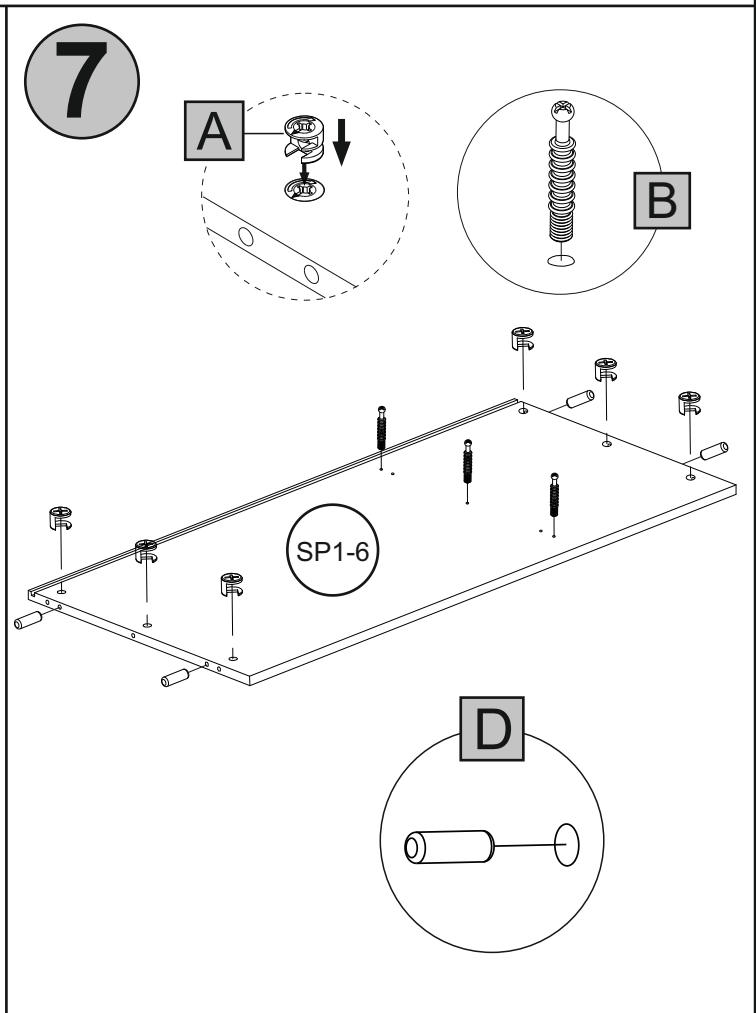
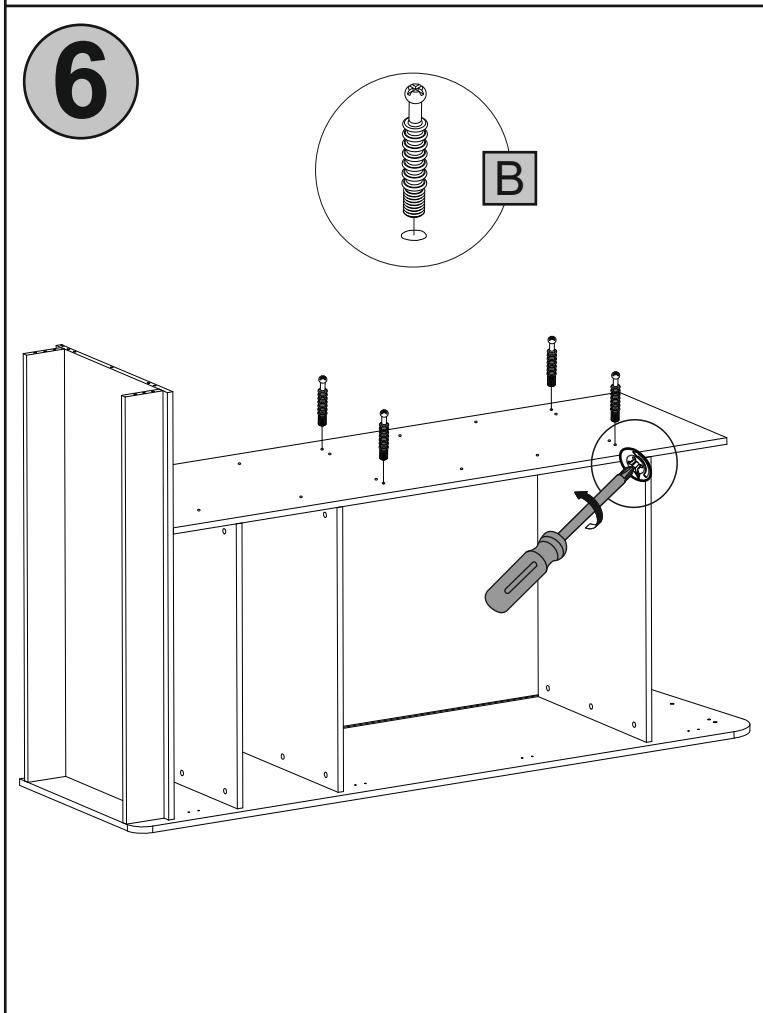
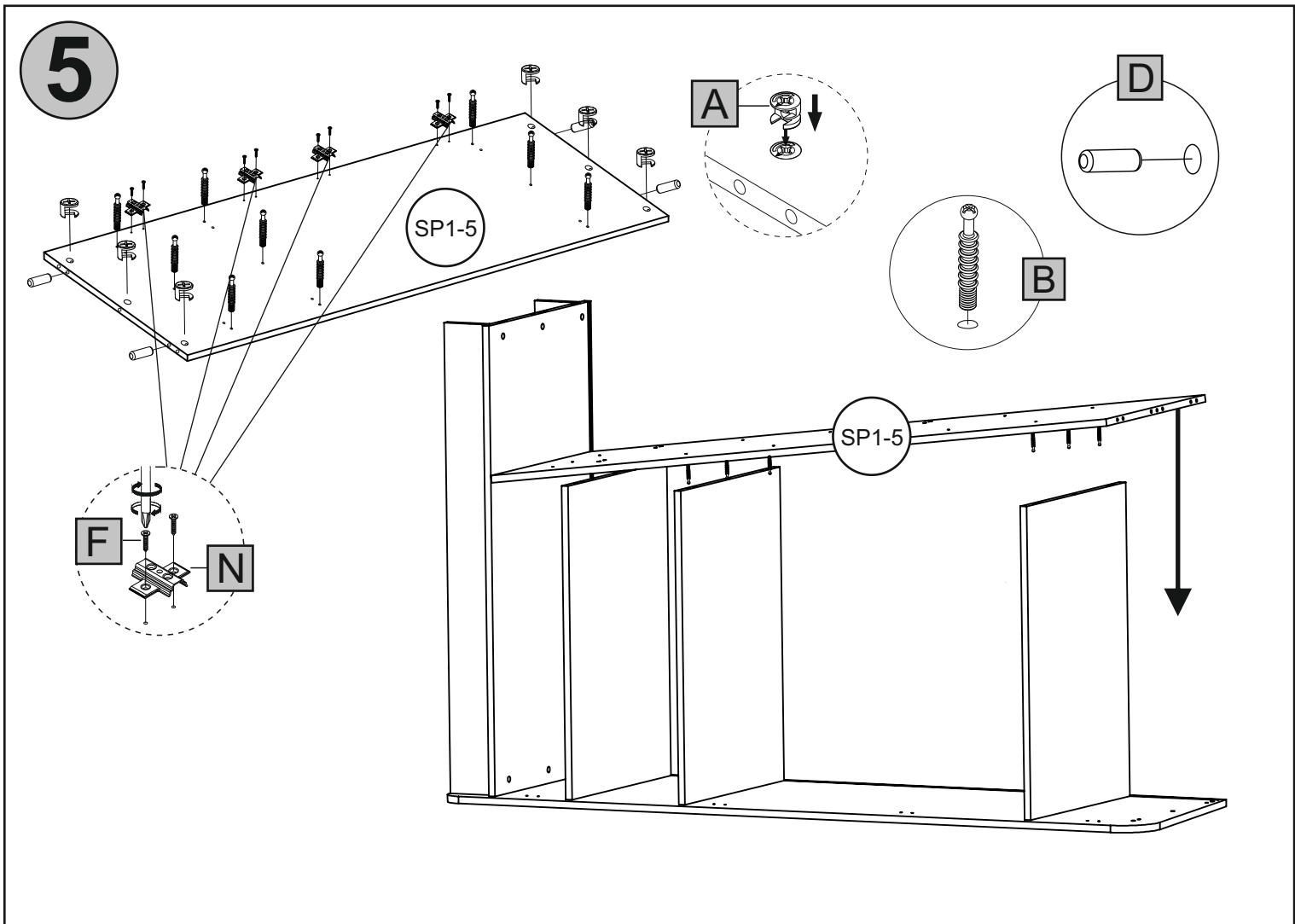


3

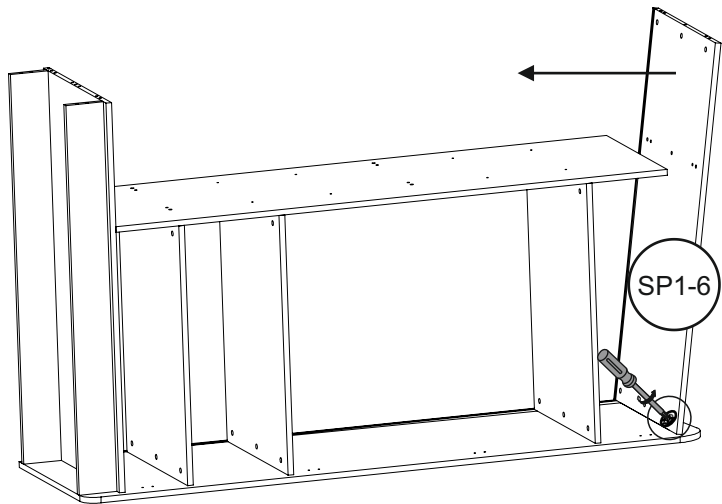


4

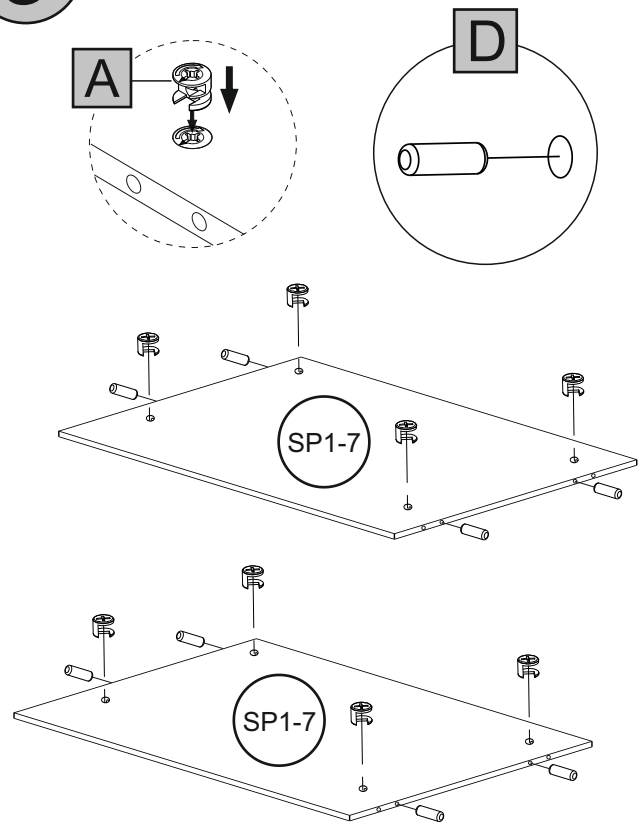




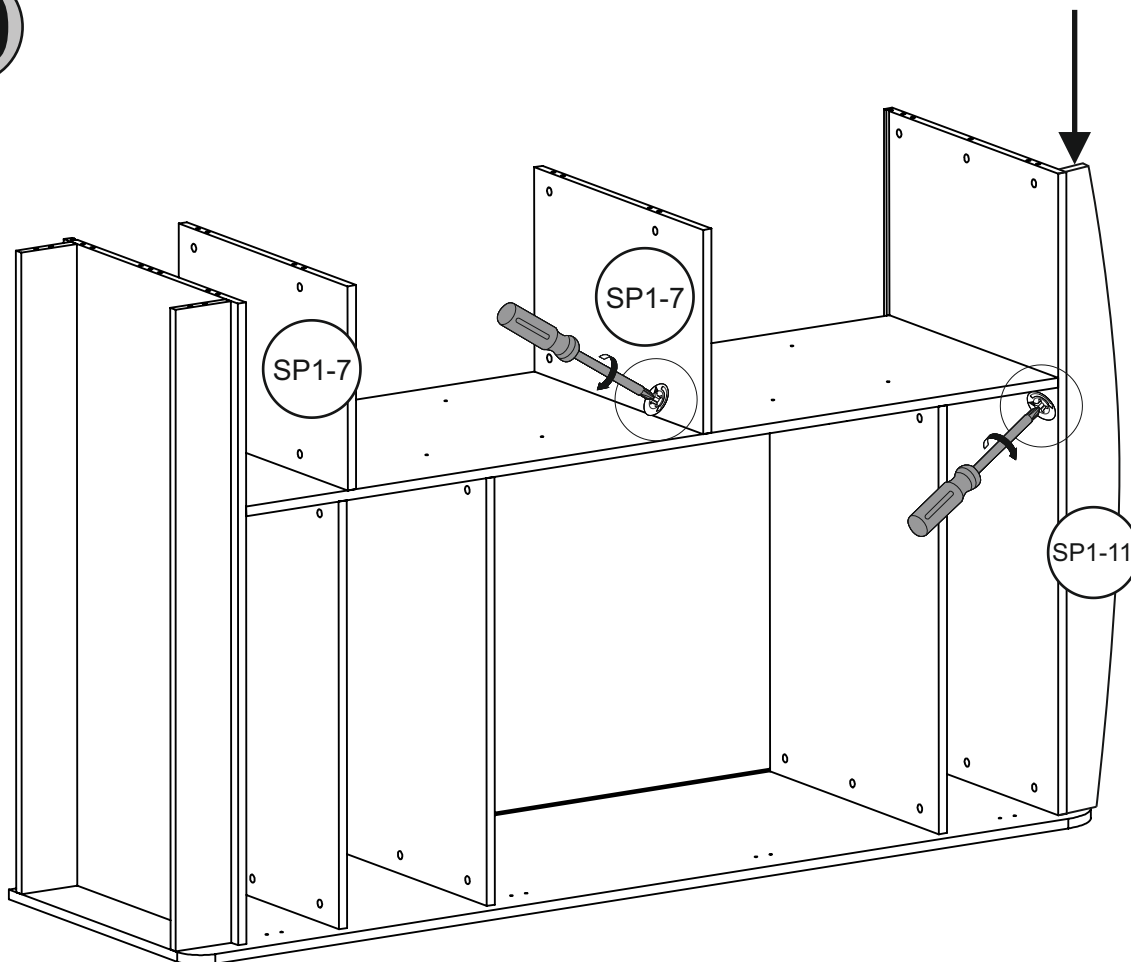
8



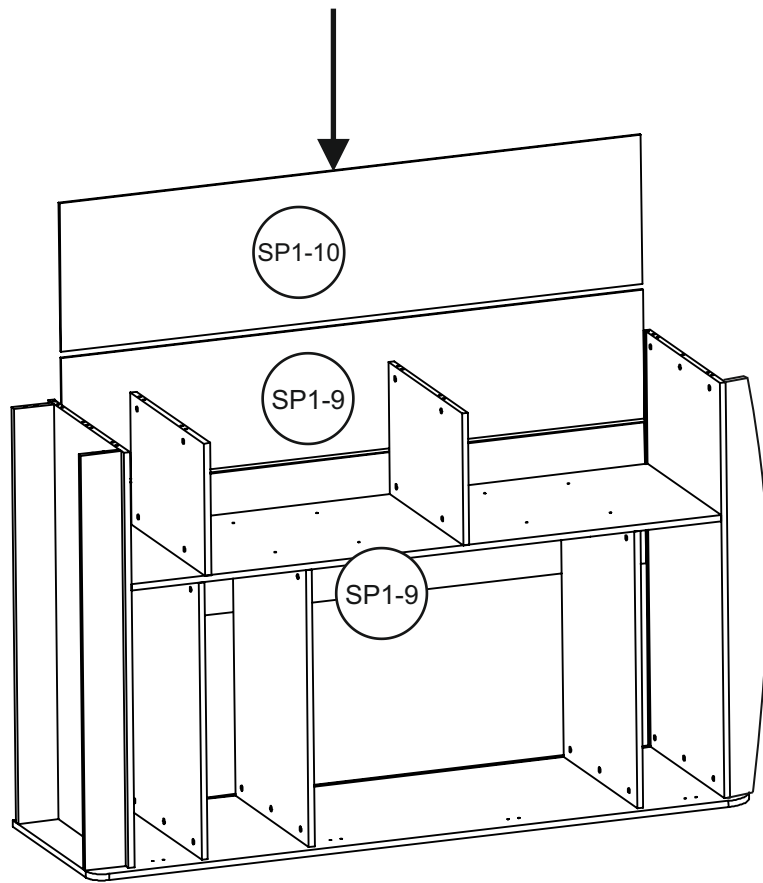
9



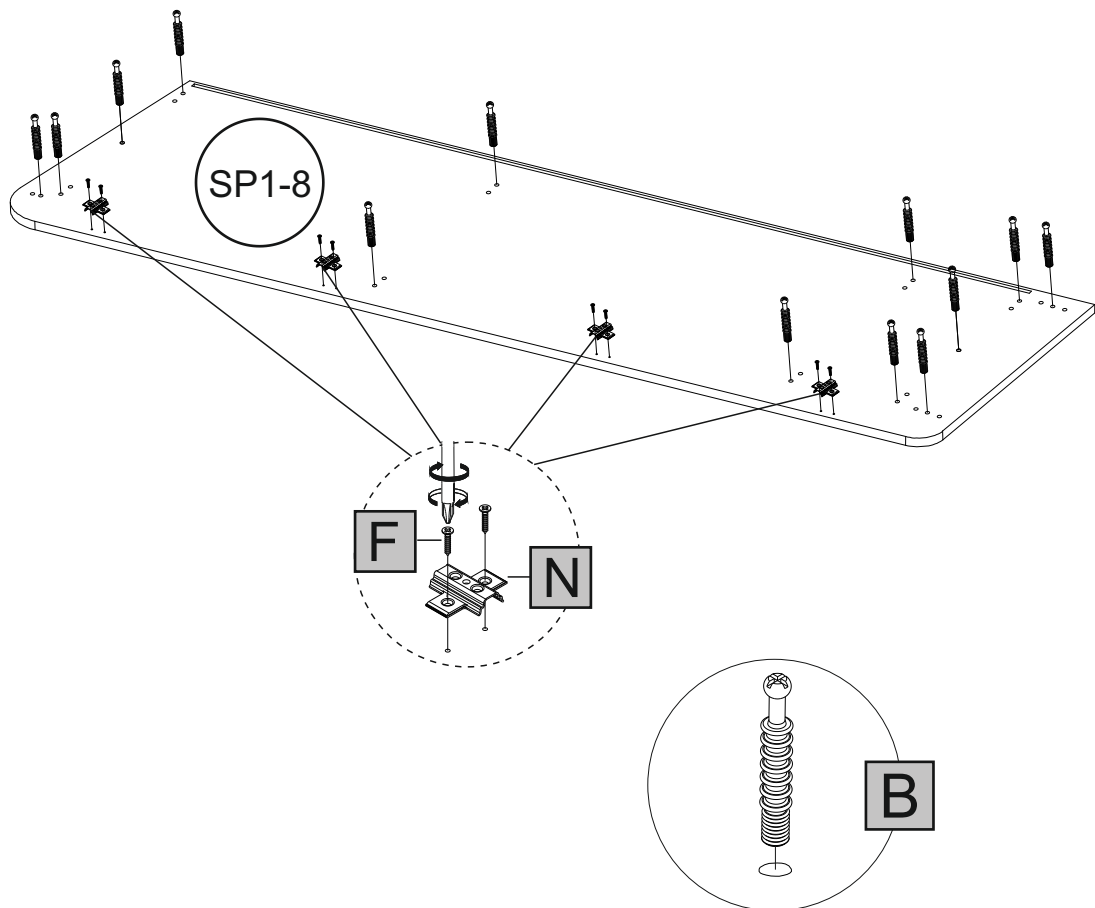
10



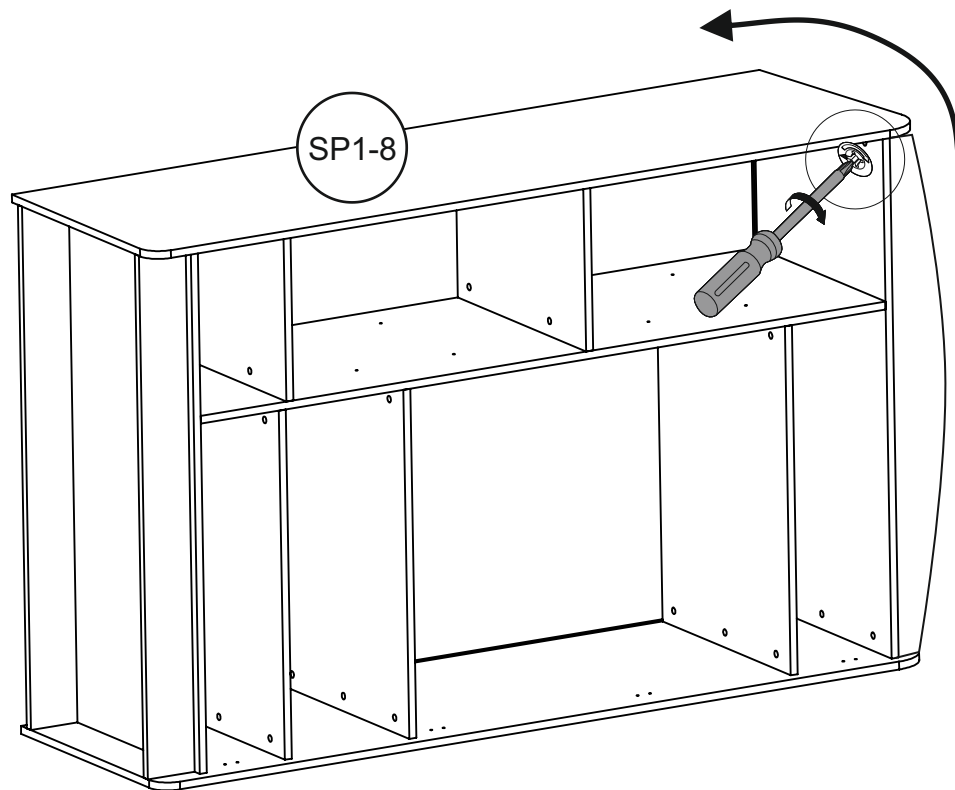
11



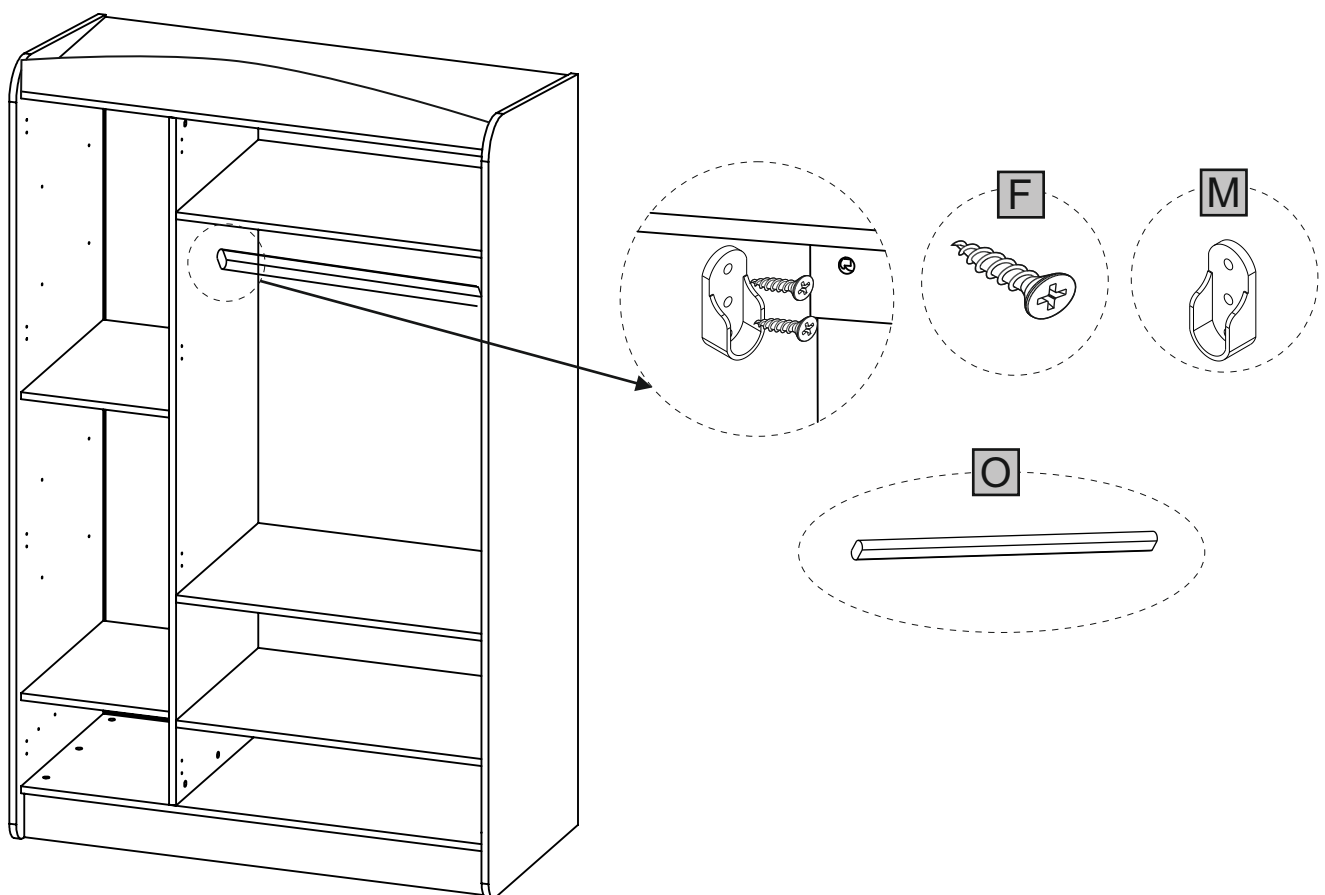
12



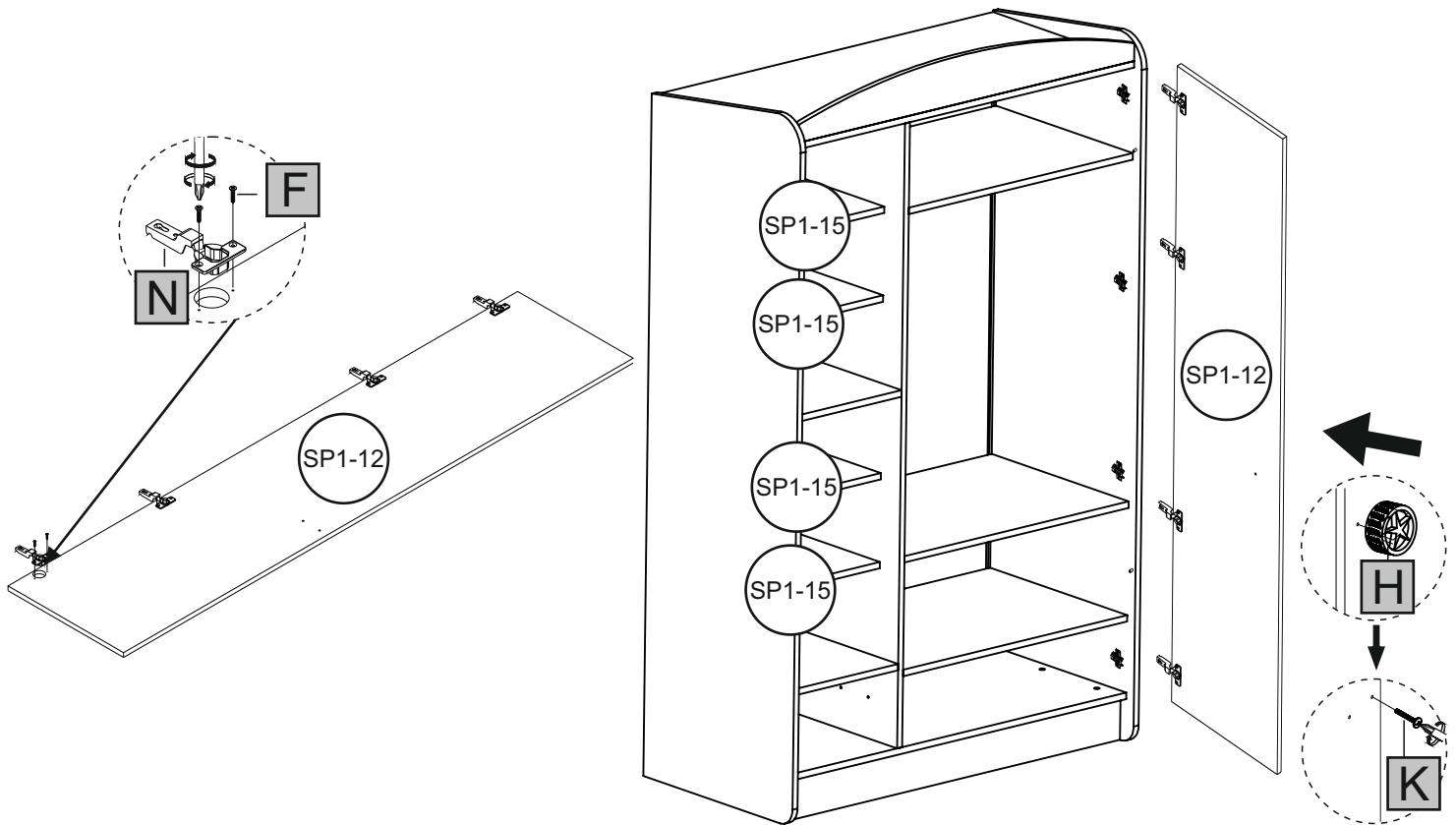
13



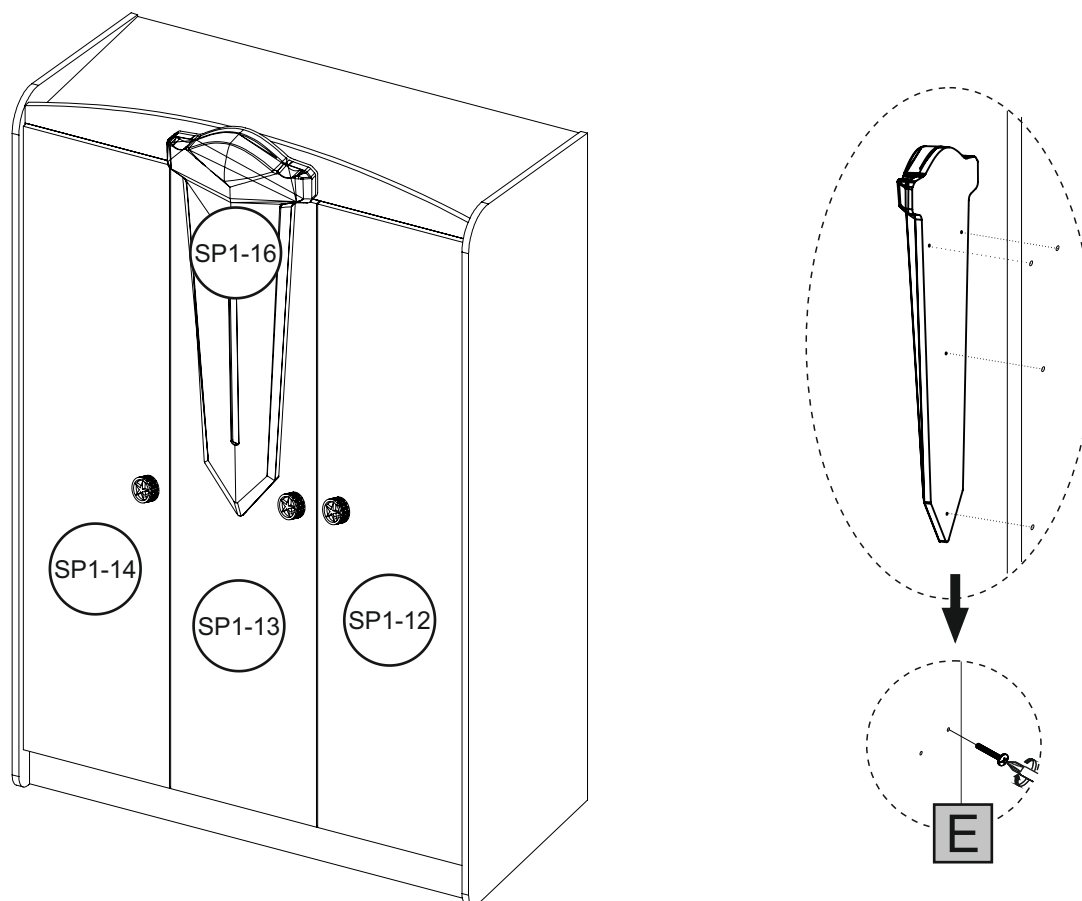
14



15



16



17

