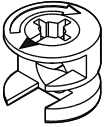

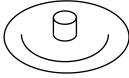
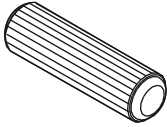
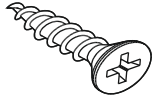
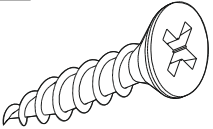
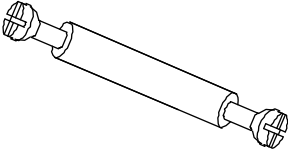

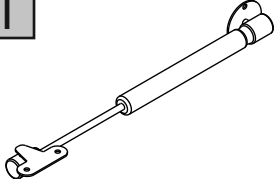
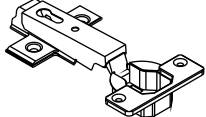
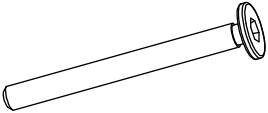
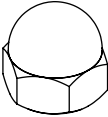
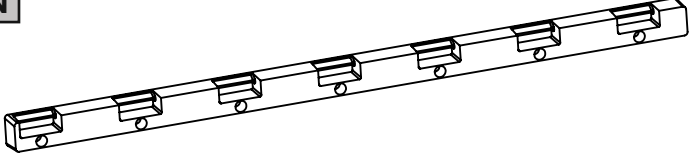

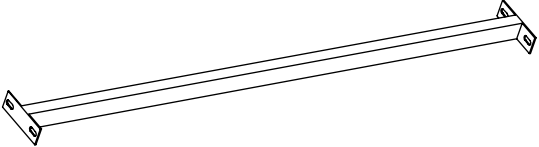
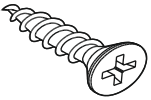
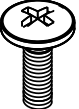
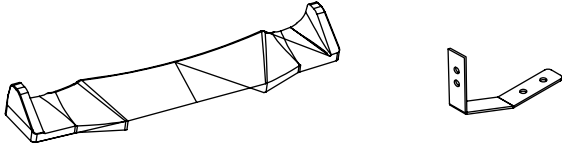
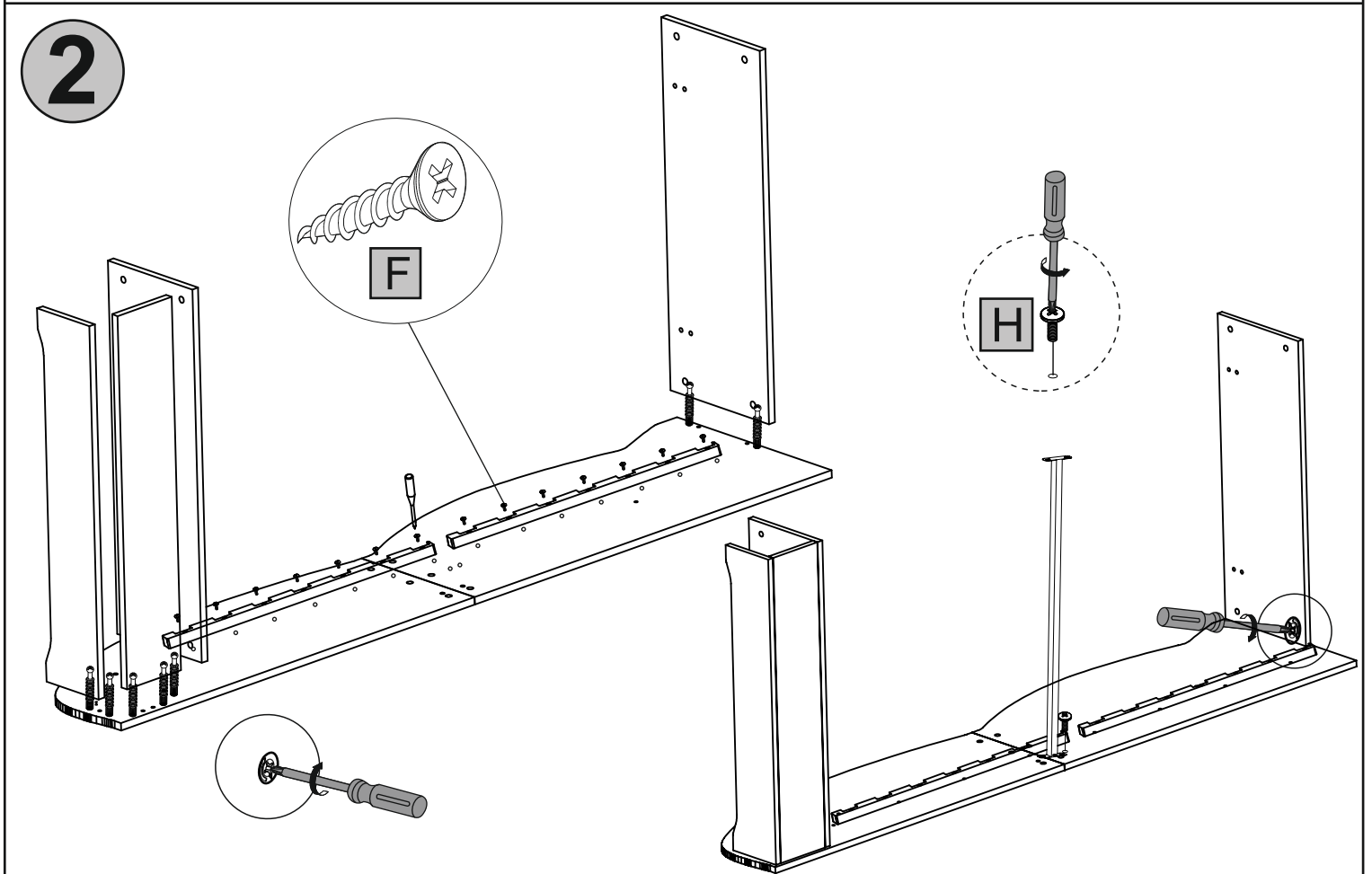
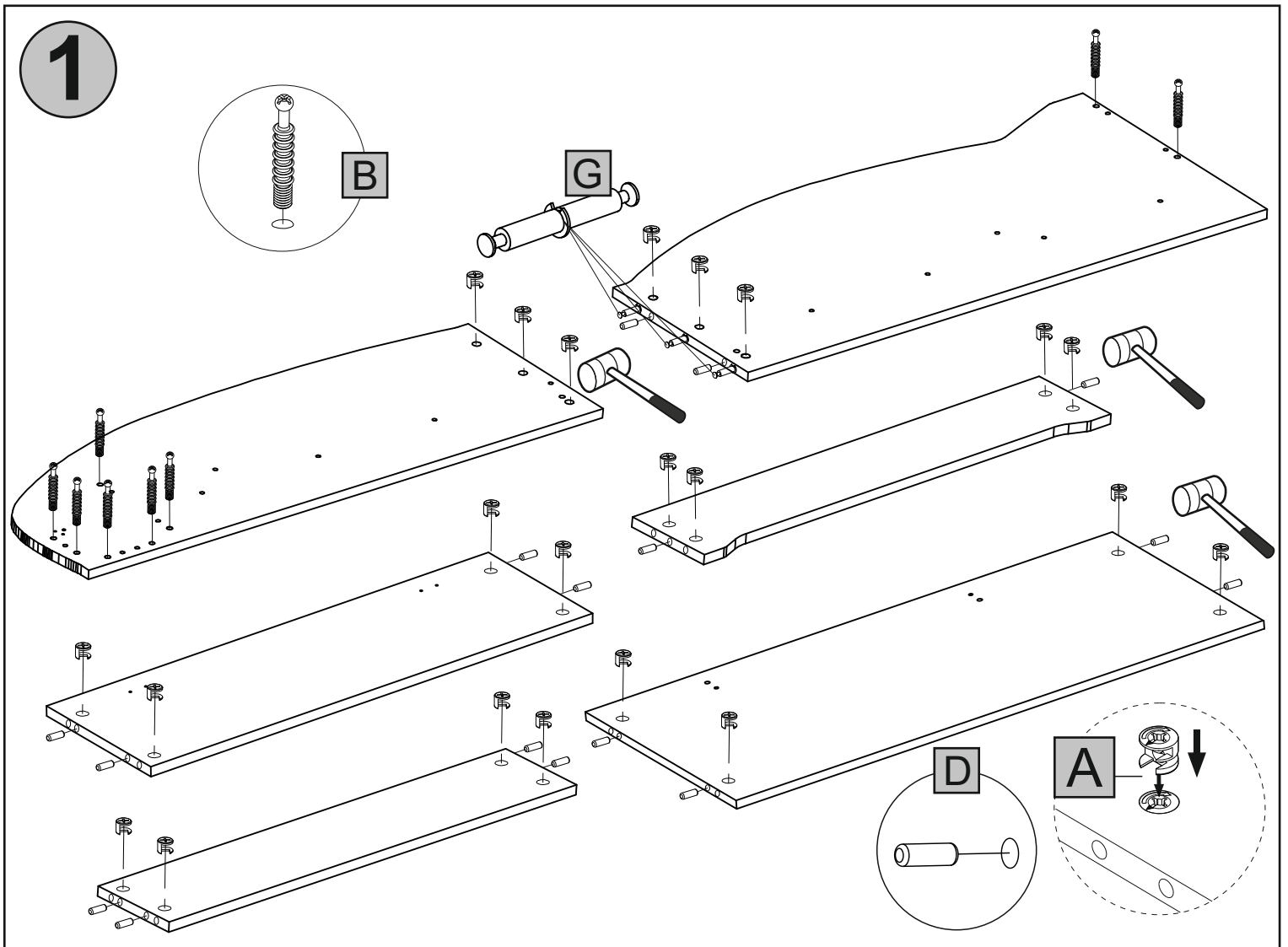


PRODUCT NAME	ECO SPEED CAR BED
MODEL NUMBER	SLAT SYSTEM
ASSEMBLY INSTRUCTIONS	

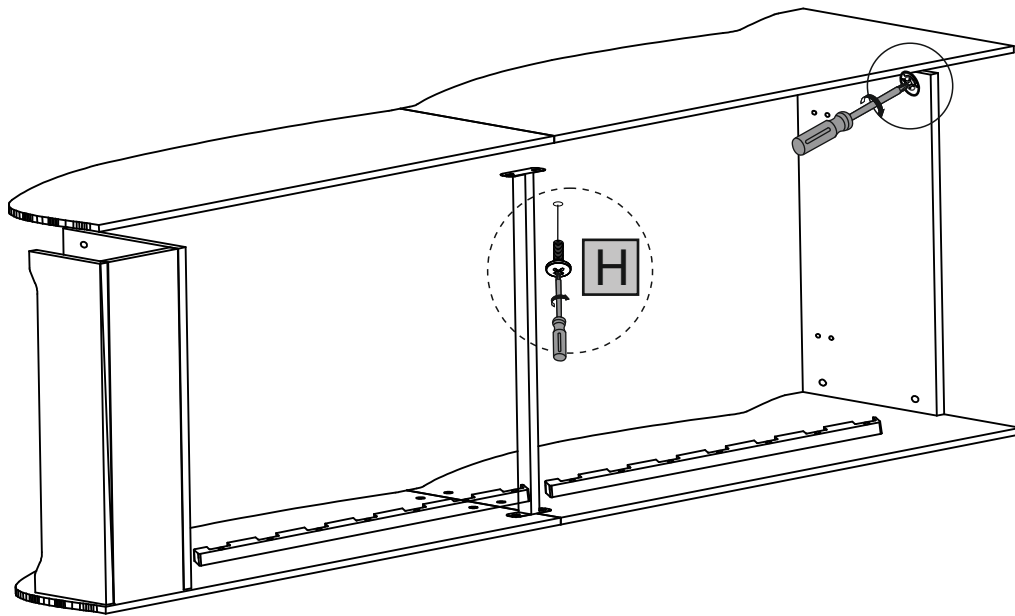




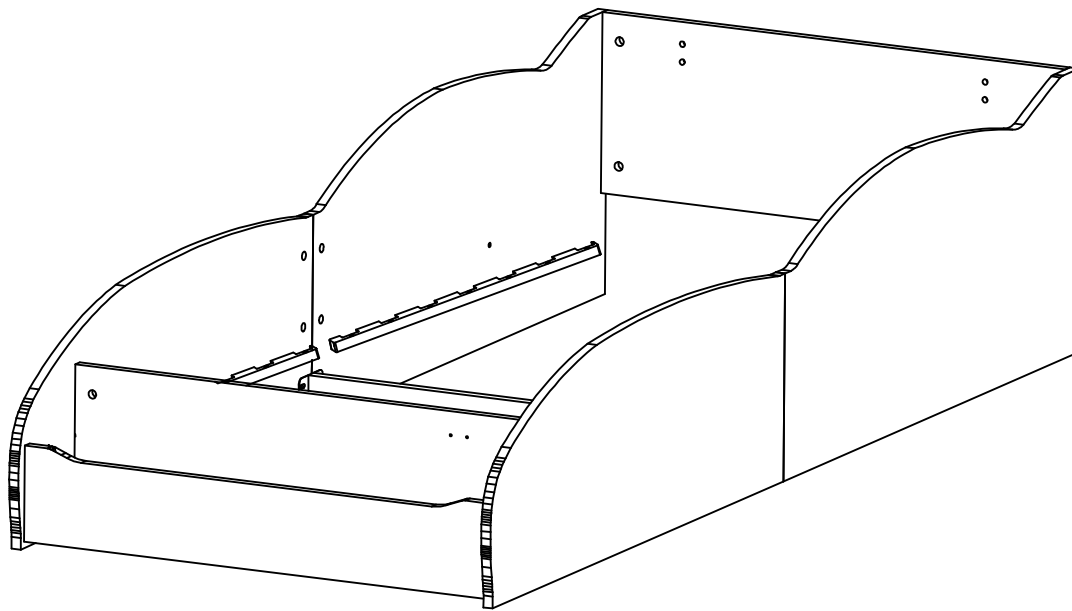
<p>A</p> 	<p>B</p> 	<p>C</p> 	<p>D</p> 	<p>E</p> 
<p>MINIFIX NUT x28 pc.</p>	<p>MINIFIX STUD x16 pc.</p>	<p>MINIFIX WHITE PLUG x28 pc.</p>	<p>DOWEL x18 pc.</p>	<p>4x16 BACKREST SCREW x13 pc.</p>
<p>F</p> 	<p>G</p> 	<p>H</p> 	<p>I</p> 	<p>K</p> 
<p>YSB SCREWS M5x30 x28 pc.</p>	<p>MINIFIX BILATERAL NEEDLE x6 pc.</p>	<p>YSB SCREWS M6x12 x4 pc.</p>	<p>SHOCK ABSORBER x1 pc.</p>	<p>45 HINGE x2 pc.</p>
<p>L</p> 	<p>M</p> 	<p>N</p> 		
<p>FLAT HEAD SCREW M6x60 x4 pc.</p>	<p>DOME NUT M6 x4 pc.</p>	<p>SLAT'S SUPPORT x4 pc.</p>		
<p>O</p> 		<p>P</p> 		
<p>SLATS x14 pc.</p>		<p>SLAT'S SUPPORT STEEL x1 pc.</p>		
<p>R</p> 	<p>S</p> 			
<p>3x18 BACKREST SCREW x6 pc.</p>	<p>YSB M6x12 SCREW x4 pc.</p>	<p>SPOILER x1pc, SPOILER HOLDER x2pc</p>		



3



4



5

