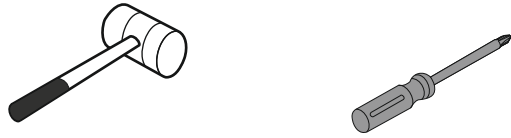


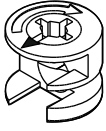
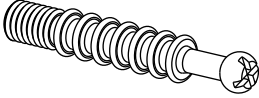
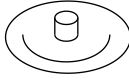
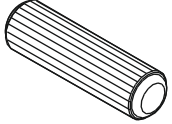
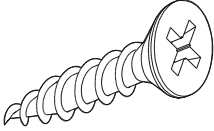
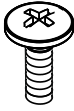
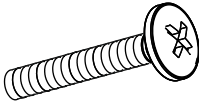
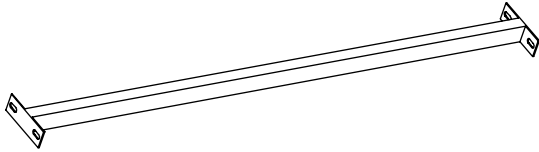
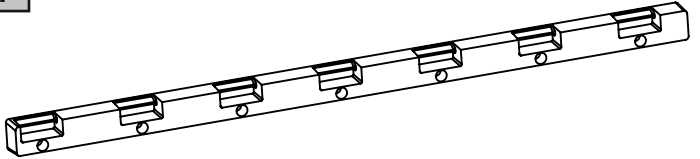
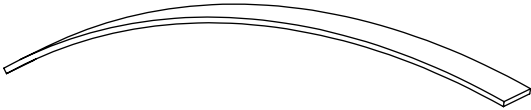
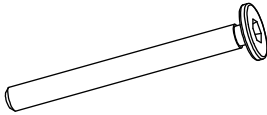
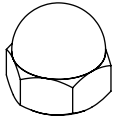
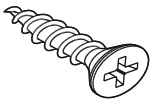
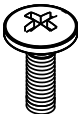
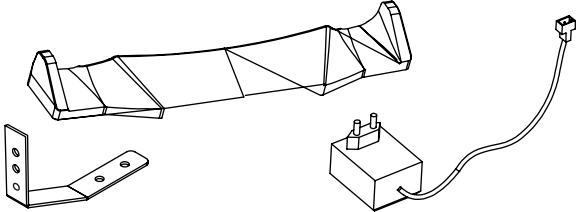
PRODUCT NAME ECO VENTO CAR BED

MODEL NUMBER SLAT SYSTEM

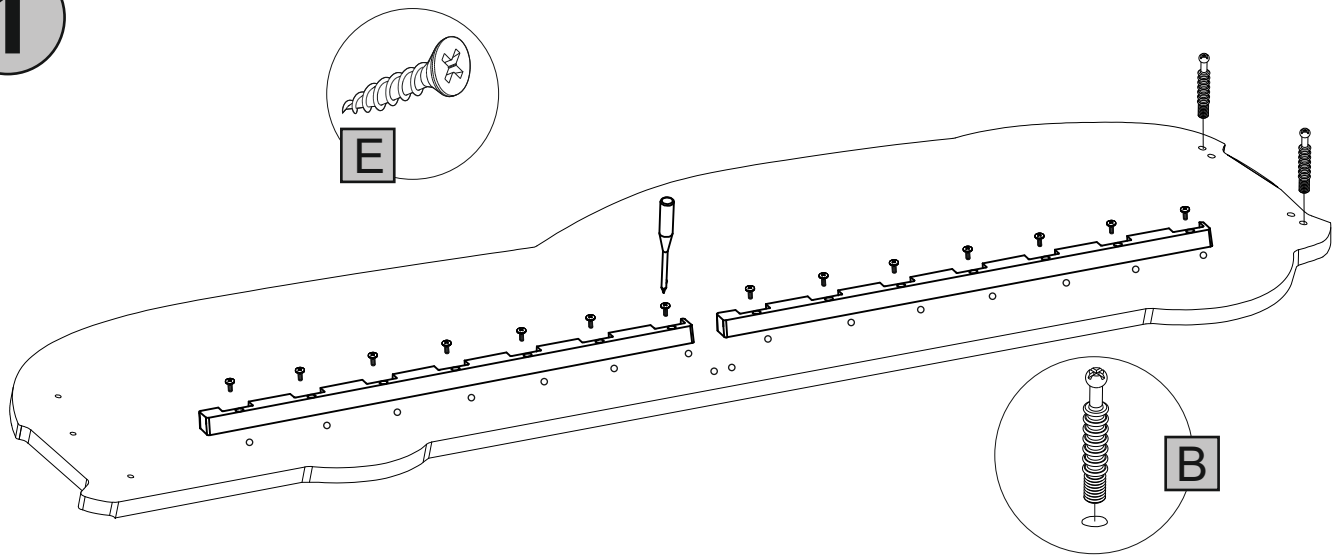
ASSEMBLY INSTRUCTIONS



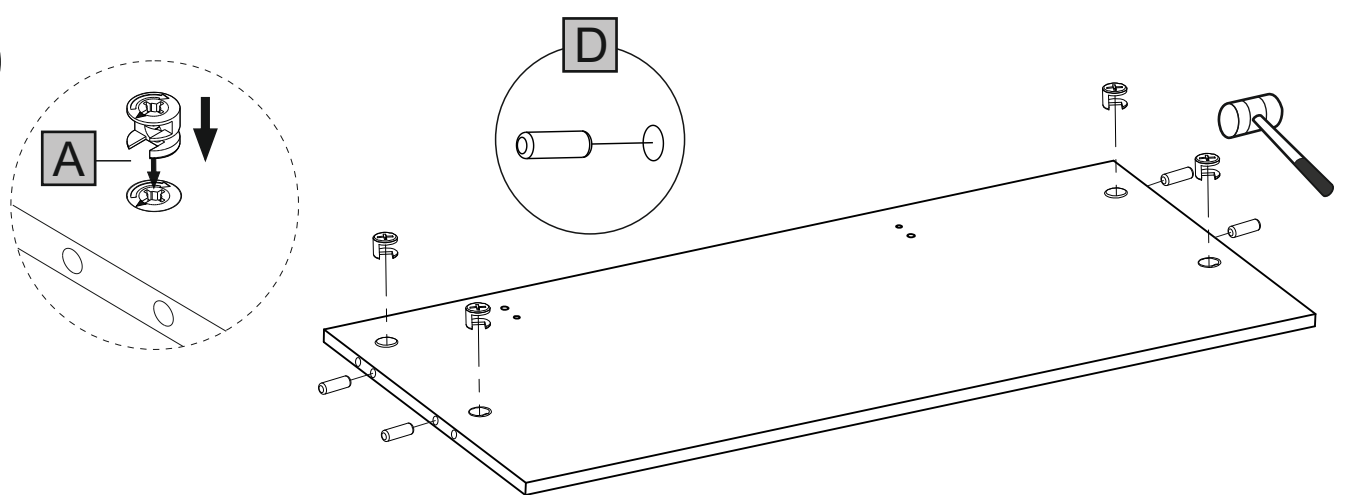


<p>A</p> 	<p>B</p> 	<p>C</p> 	<p>D</p> 
<p>MINIFIX NUT x4 pc.</p>	<p>MINIFIX STUD x4 pc.</p>	<p>MINIFIX WHITE PLUG x4 pc.</p>	<p>DOWEL x4 pc.</p>
<p>E</p> 	<p>F</p> 	<p>G</p> 	
<p>YSB SCREWS M5x30 x28 pc.</p>	<p>YSB SCREWS M6x12 x4 pc.</p>	<p>YSB SCREWS M6x35 x6 pc.</p>	
<p>H</p> 		<p>I</p> 	
<p>SLAT'S SUPPORT STEEL x1 pc.</p>		<p>SLAT'S SUPPORT x4 pc.</p>	
<p>K</p> 	<p>L</p> 	<p>M</p> 	
<p>SLATS x14 pc.</p>		<p>FLAT HEAD SCREW M6x60 x4 pc.</p>	<p>DOME NUT M6 x4 pc.</p>
<p>N</p> 	<p>O</p> 		
<p>3x18 BACKREST SCREW x6 pc.</p>	<p>YSB M6x12 SCREW x4 pc.</p>	<p>SPOILER x1pc, SPOILER HOLDER x2pc, ADAPTOR x1pc</p>	

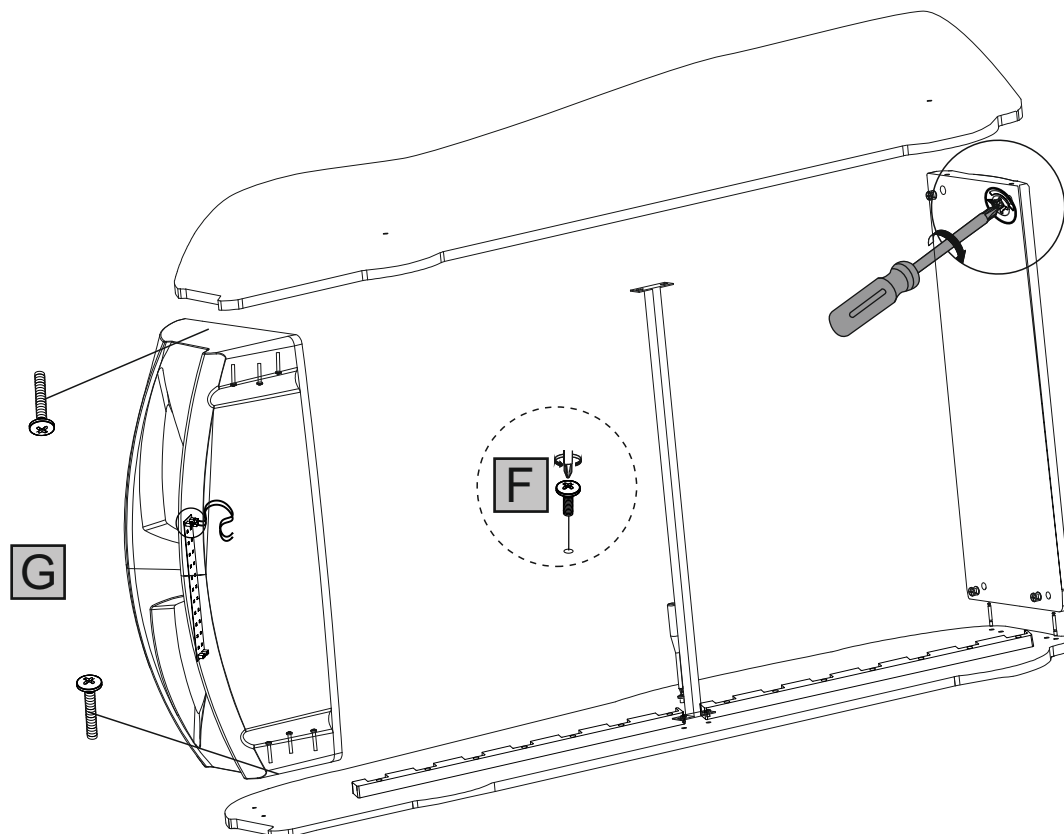
1



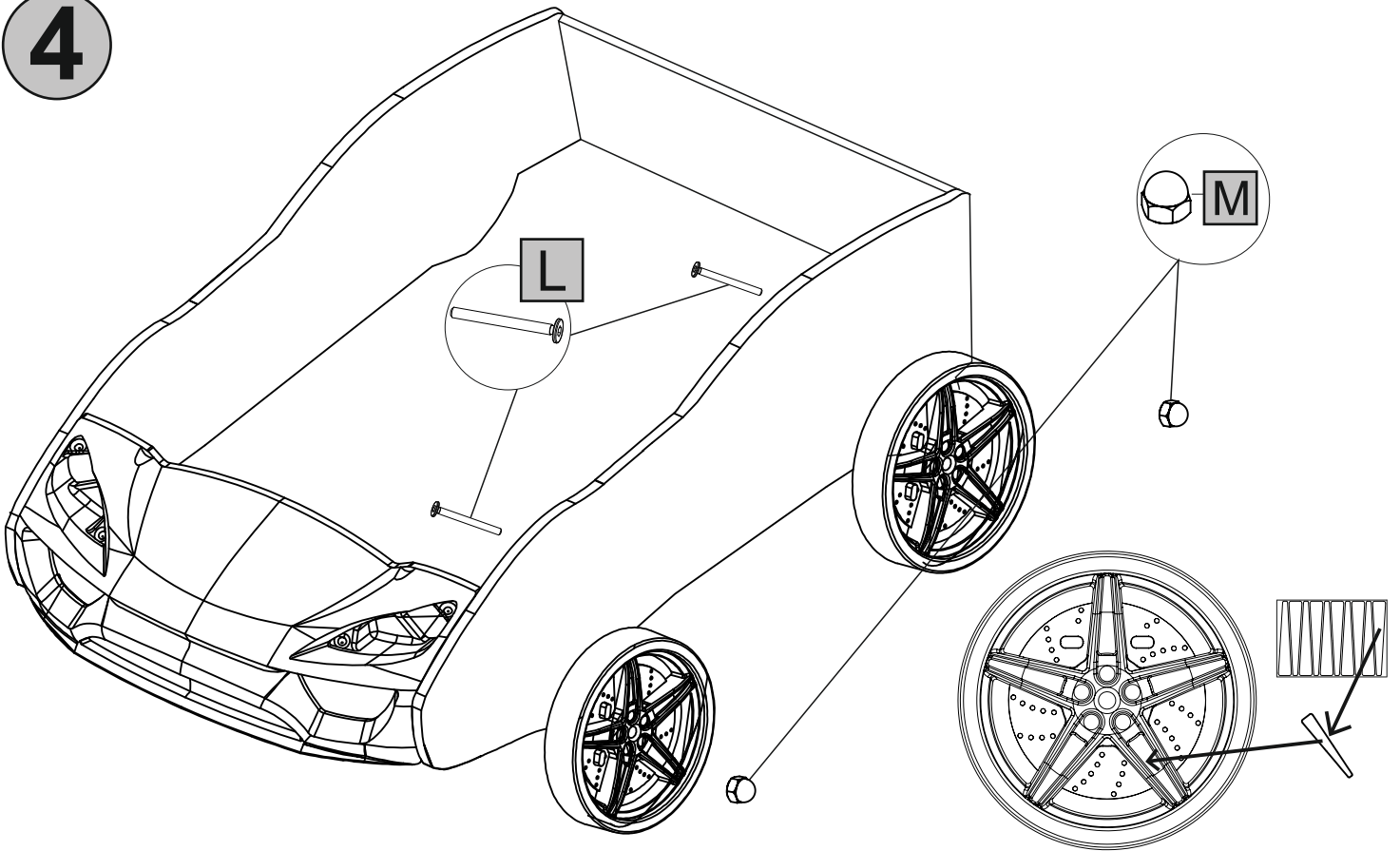
2



3



4



5

