

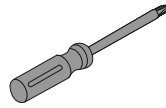
PRODUCT NAME Gt1 ECO CAR BED

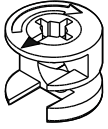
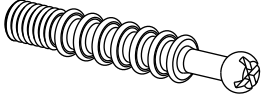
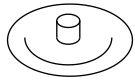
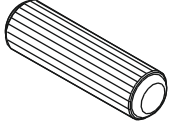

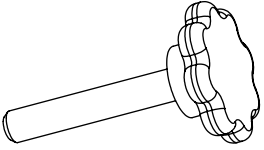
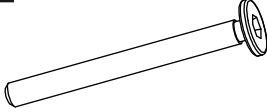
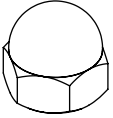
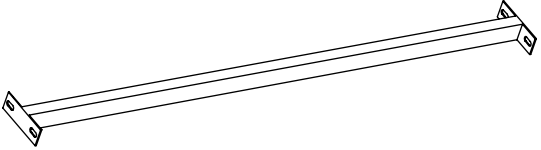
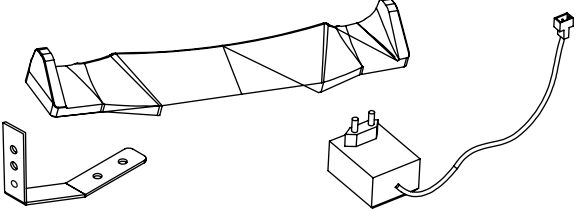
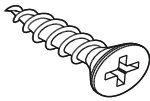
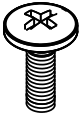
MODEL NUMBER CHIPBOARD BED BASE

ASSEMBLY INSTRUCTIONS

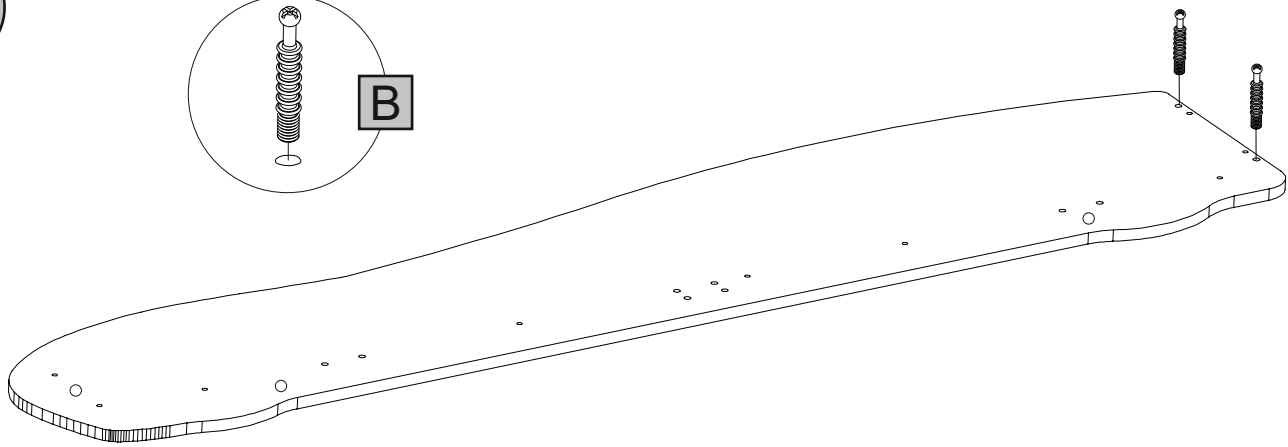
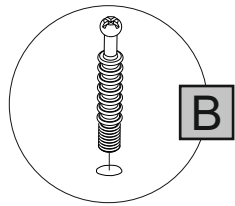


PAGE: X/X

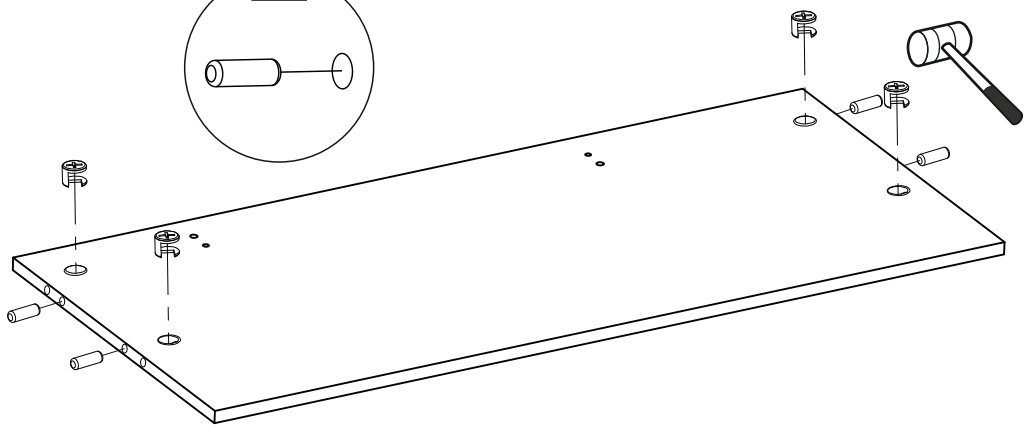
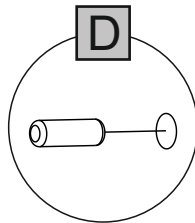
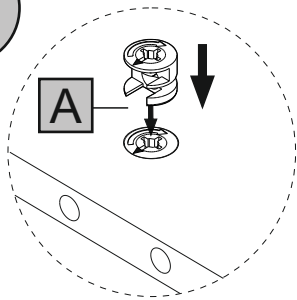


A 	B 	C 	D 
<p>MINIFIX NUT x4 pc.</p>	<p>MINIFIX STUD x4 pc.</p>	<p>MINIFIX WHITE PLUG x4 pc.</p>	<p>DOWEL x4 pc.</p>
E 	F 	G 	H 
<p>YSB SCREWS M6x12 x12 pc.</p>	<p>BUTTERFLY BOLT M6 x4 pc.</p>	<p>FLAT HEAD SCREW M6x60 x4 pc.</p>	<p>DOME NUT M6 x4 pc.</p>
I 			
<p>SLAT'S SUPPORT STEEL x3 pc.</p>		<p>SPOILER x1pc, SPOILER HOLDER x2pc, ADAPTOR x1pc</p>	
K 	L 		
<p>3x18 BACKREST SCREW x6 pc.</p>	<p>YSB M6x12 SCREW x4 pc.</p>		

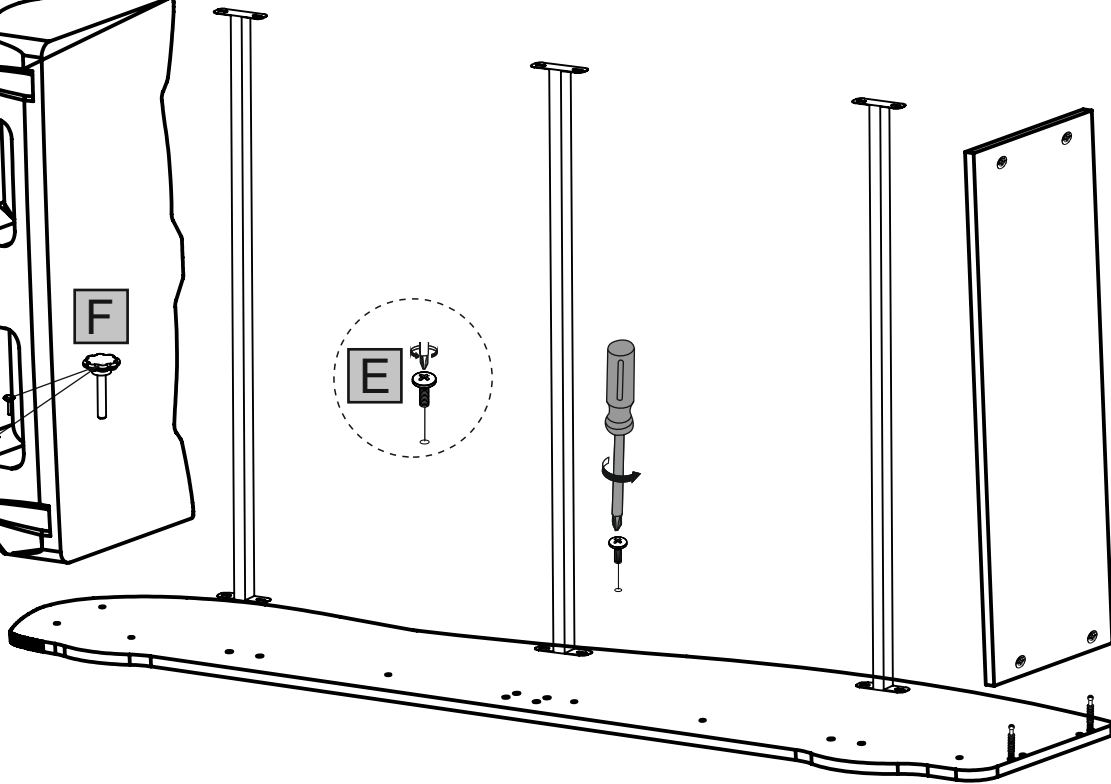
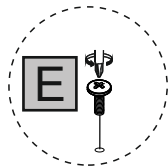
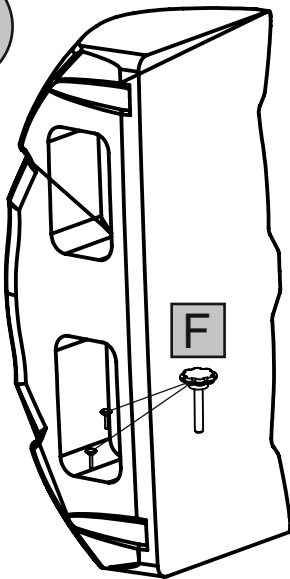
1



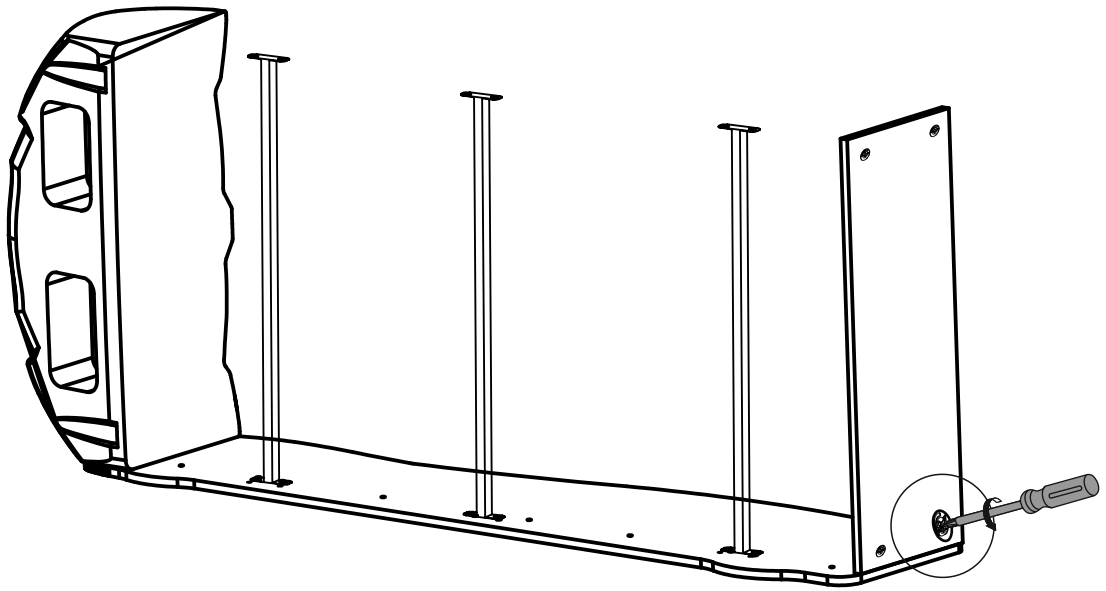
2



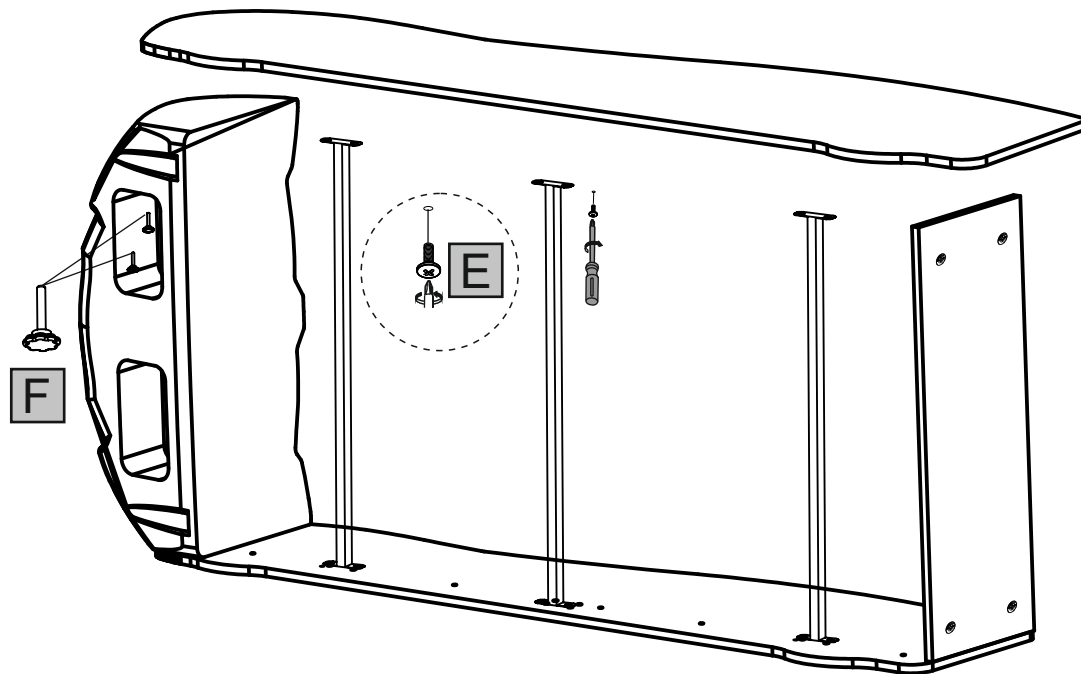
3



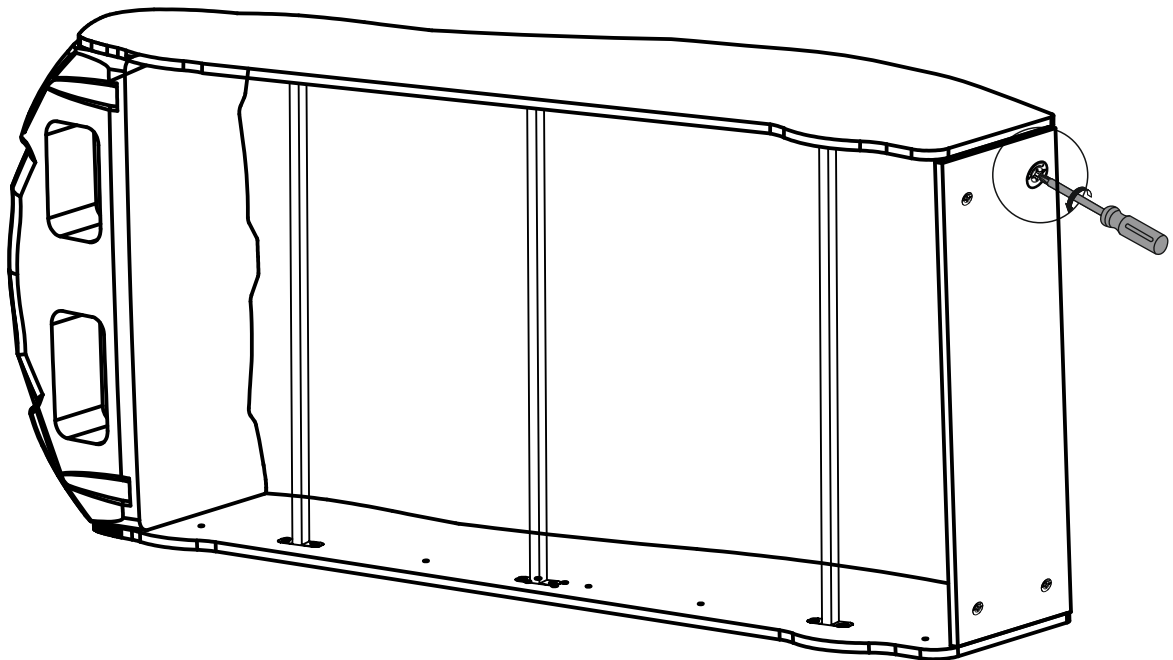
4



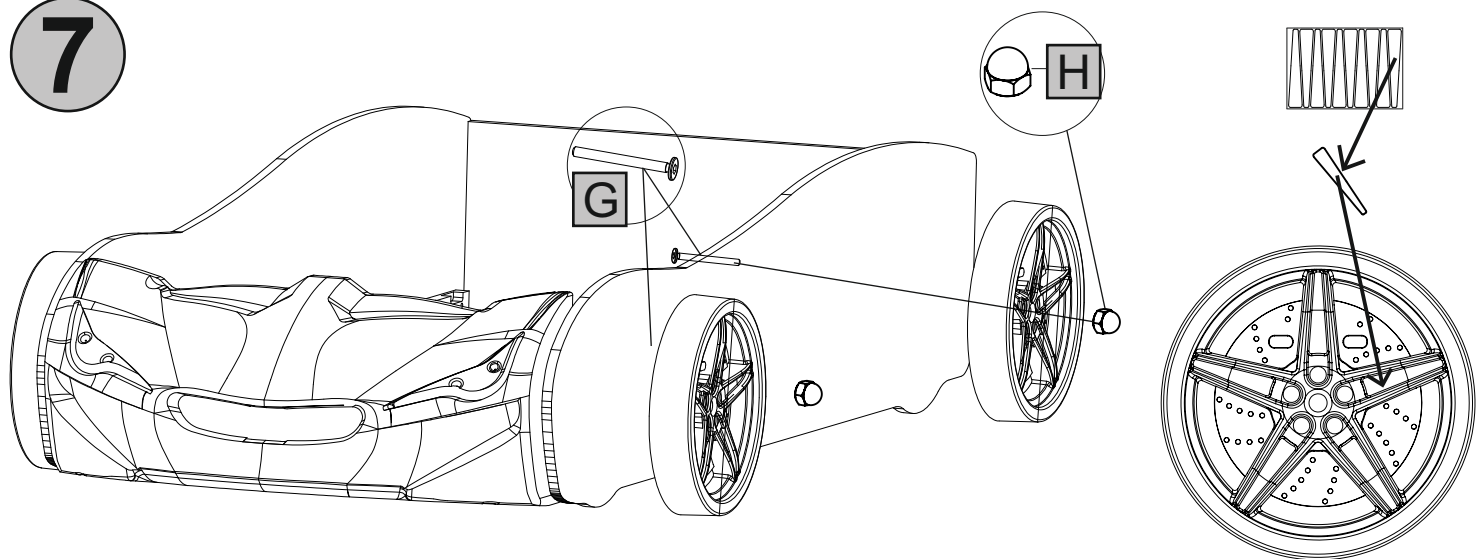
5



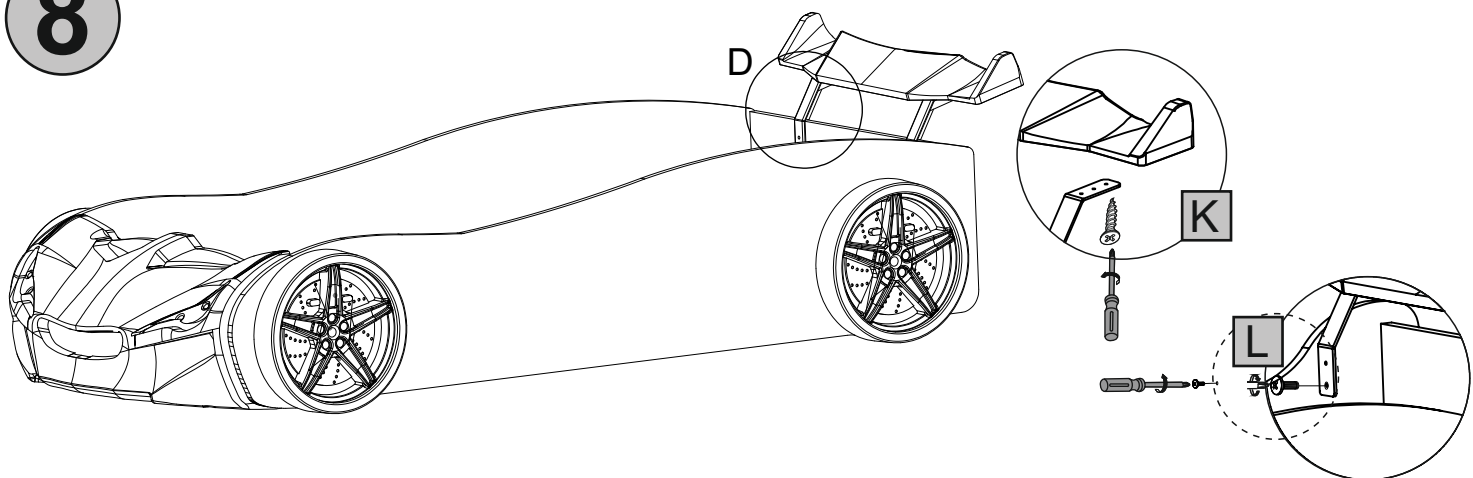
6



7



8



9

