


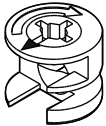

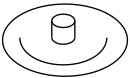
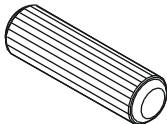
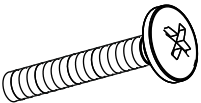
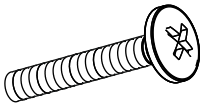
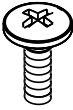
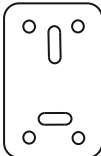
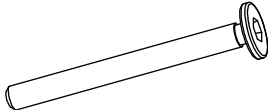
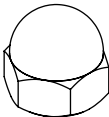
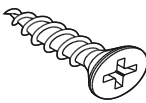
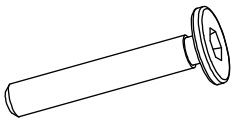
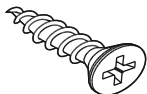
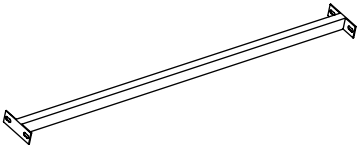
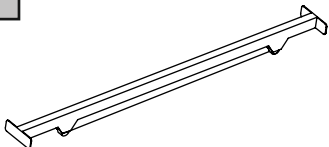
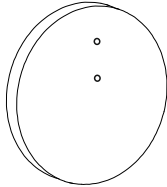
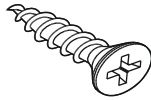

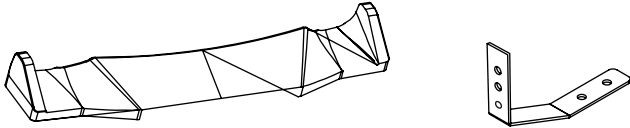
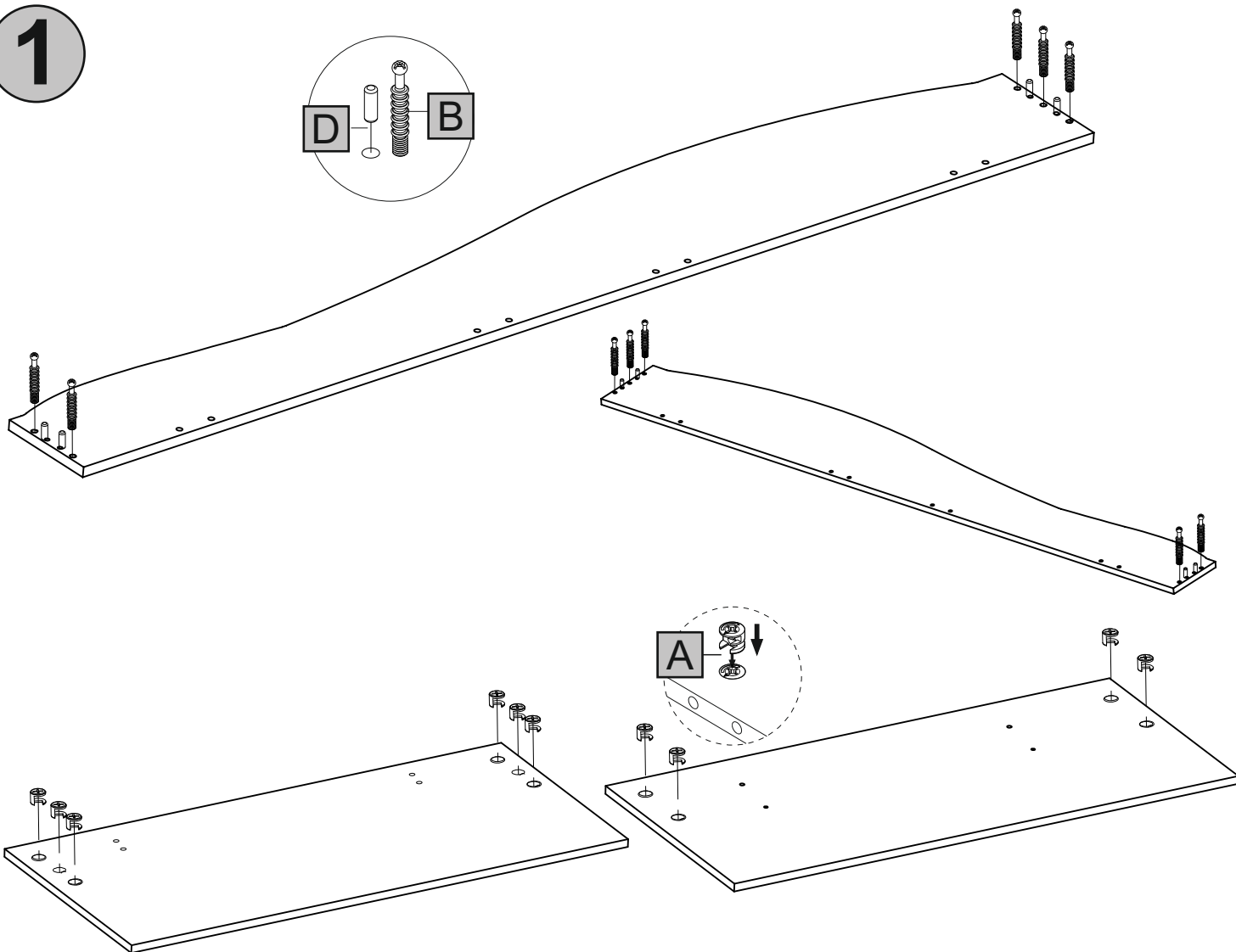
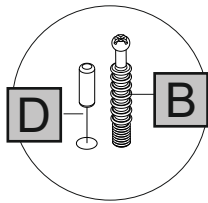


PRODUCT NAME	Gt1 DOUBLE CAR BED	  
MODEL NUMBER	CHIPBOARD BED BASE	
ASSEMBLY INSTRUCTIONS		PAGE: 9/1

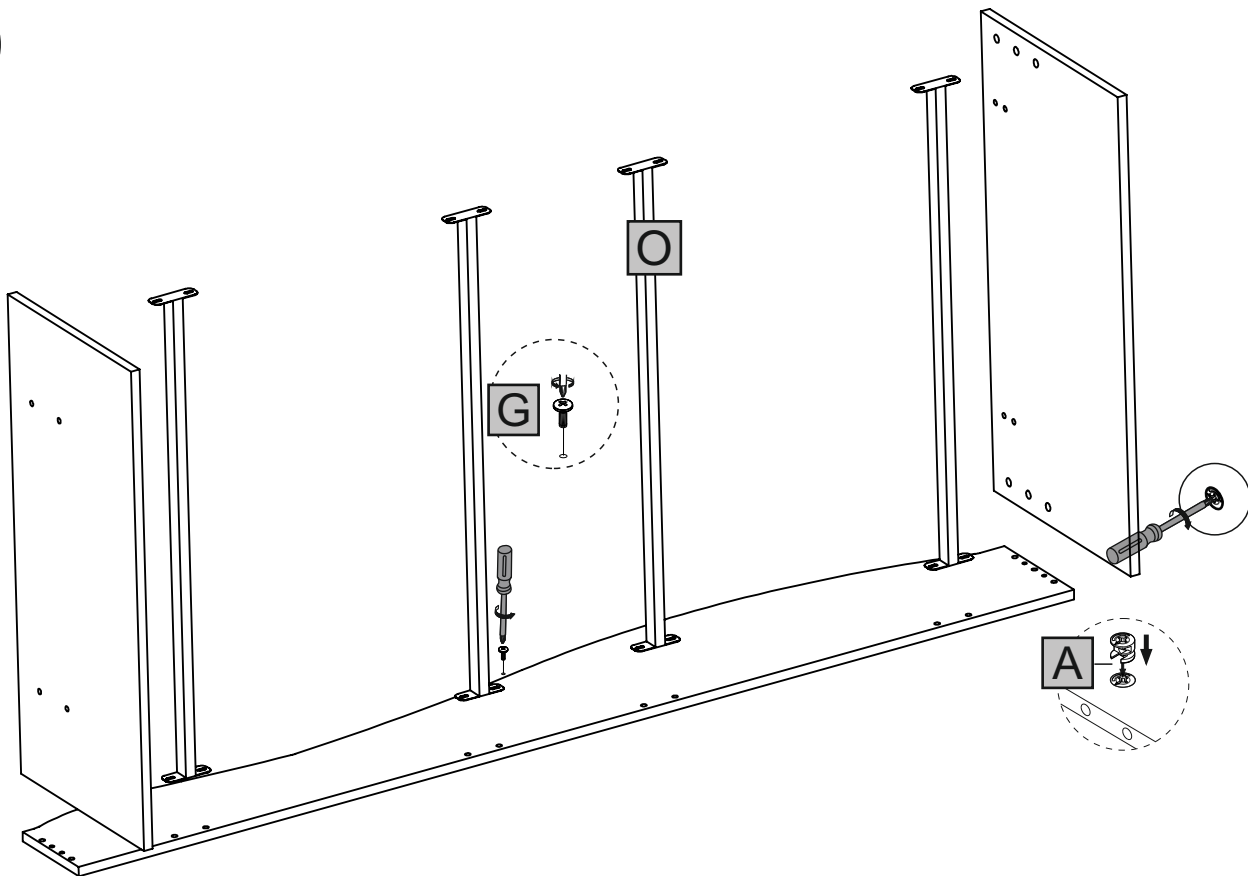


<p>A</p> 	<p>B</p> 	<p>C</p> 	<p>D</p> 
<p>MINIFIX NUT x18 pc.</p>	<p>MINIFIX STUD x18 pc.</p>	<p>MINIFIX PLUG x18 pc.</p>	<p>DOWEL x16 pc.</p>
<p>E</p> 	<p>F</p> 	<p>G</p> 	<p>H</p> 
<p>YSB SCREWS M6x25 x4 pc.</p>	<p>YSB SCREWS M6x35 x8 pc.</p>	<p>YSB SCREWS M6x12 x32 pc.</p>	<p>STOP KIT x2 pc.</p>
<p>I</p> 	<p>K</p> 	<p>L</p> 	<p>M</p> 
<p>FLAT HEAD SCREW M6x60 x2 pc.</p>	<p>DOME NUT M6 x4 pc.</p>	<p>(4x20) x6 pc.</p>	<p>FLAT HEAD SCREW M6x45 x2 pc.</p>
<p>N</p> 	<p>O</p> 	<p>P</p> 	<p>R</p> 
<p>(4x35) x8 pc.</p>	<p>SLAT'S SUPPORT STEEL x6 pc.</p>	<p>SLIDING SLAT'S SUPPORT STEEL x2 pc.</p>	<p>WHEEL INSIDE x4 pc.</p>
<p>S</p> 	<p>T</p> 		
<p>3x18 BACKREST SCREW x6 pc.</p>	<p>YSB M6x12 SCREW x4 pc.</p>	<p>SPOILER x1pc, SPOILER HOLDER x2pc</p>	

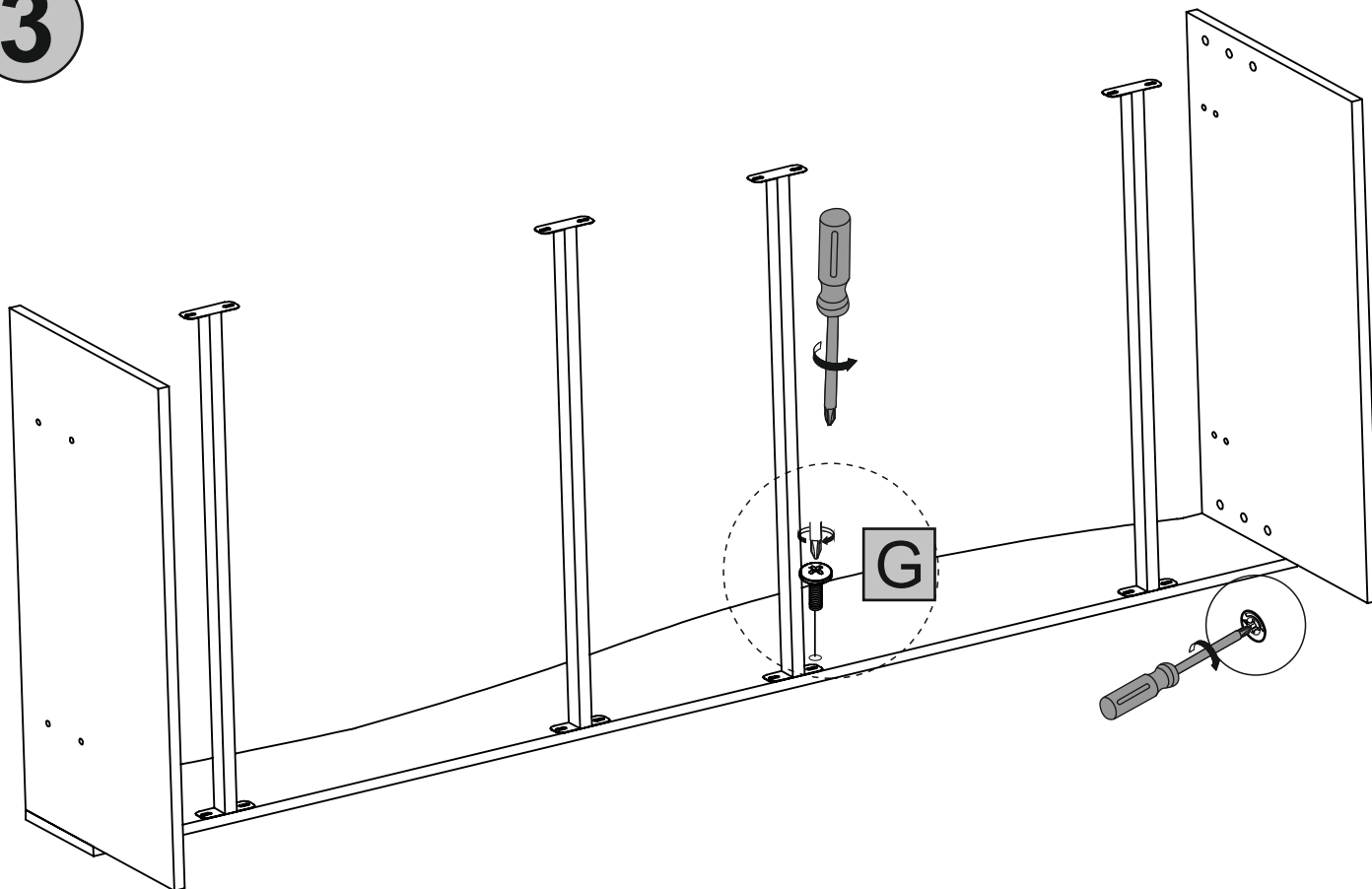
1



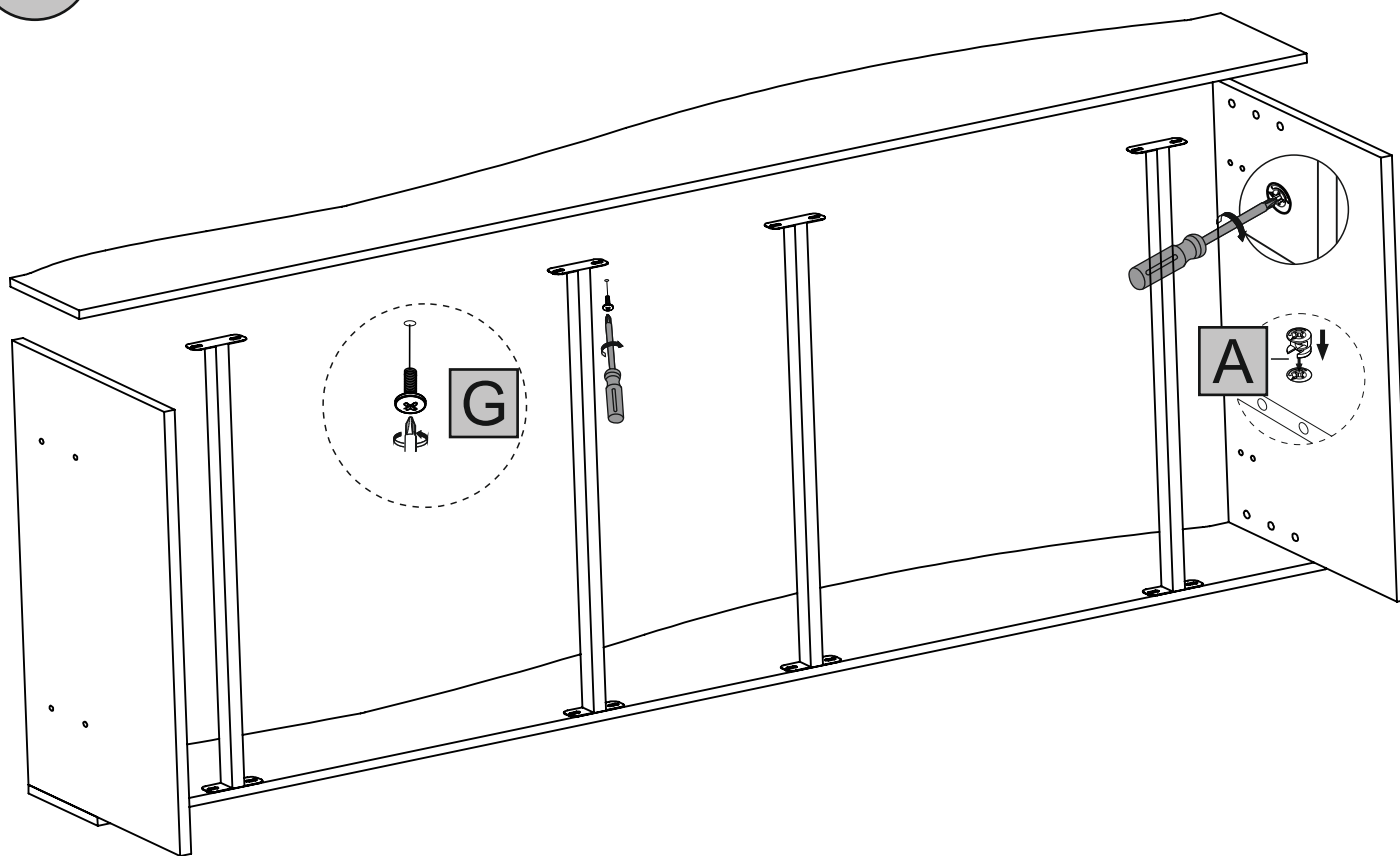
2



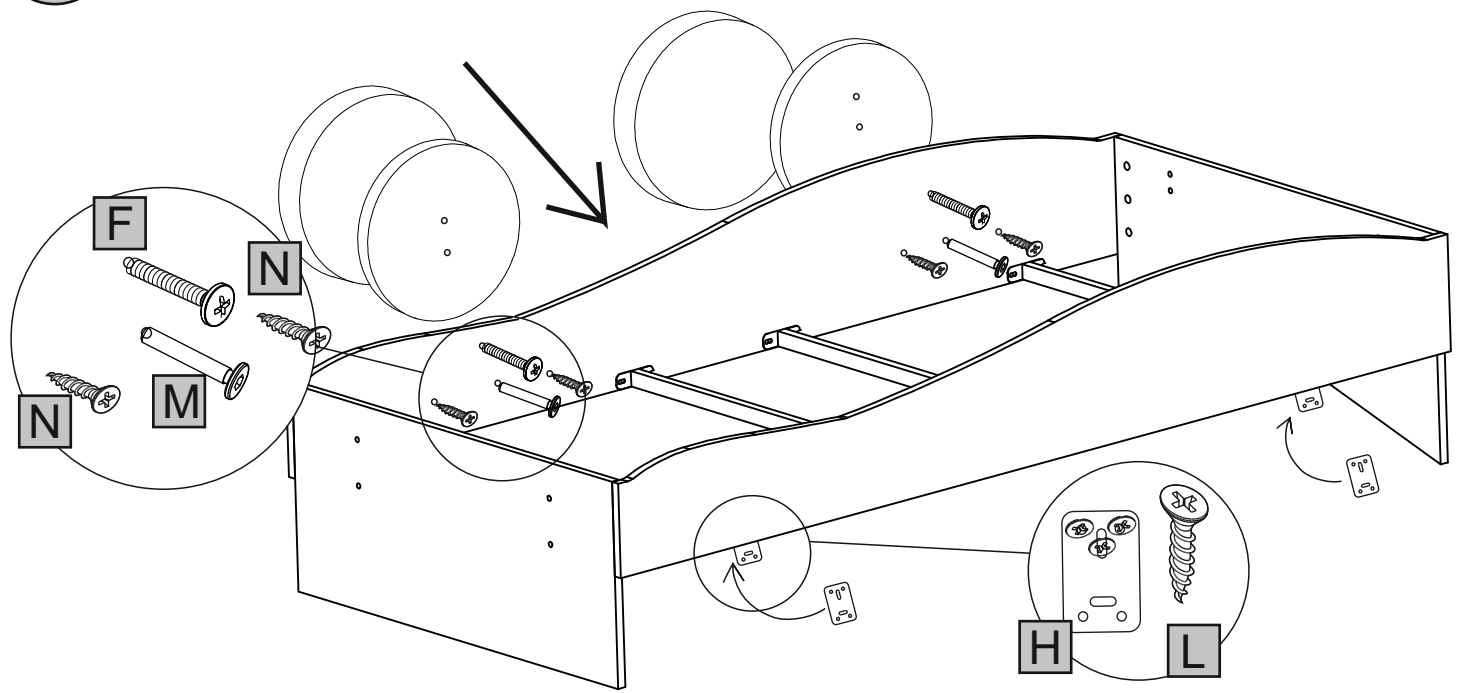
3



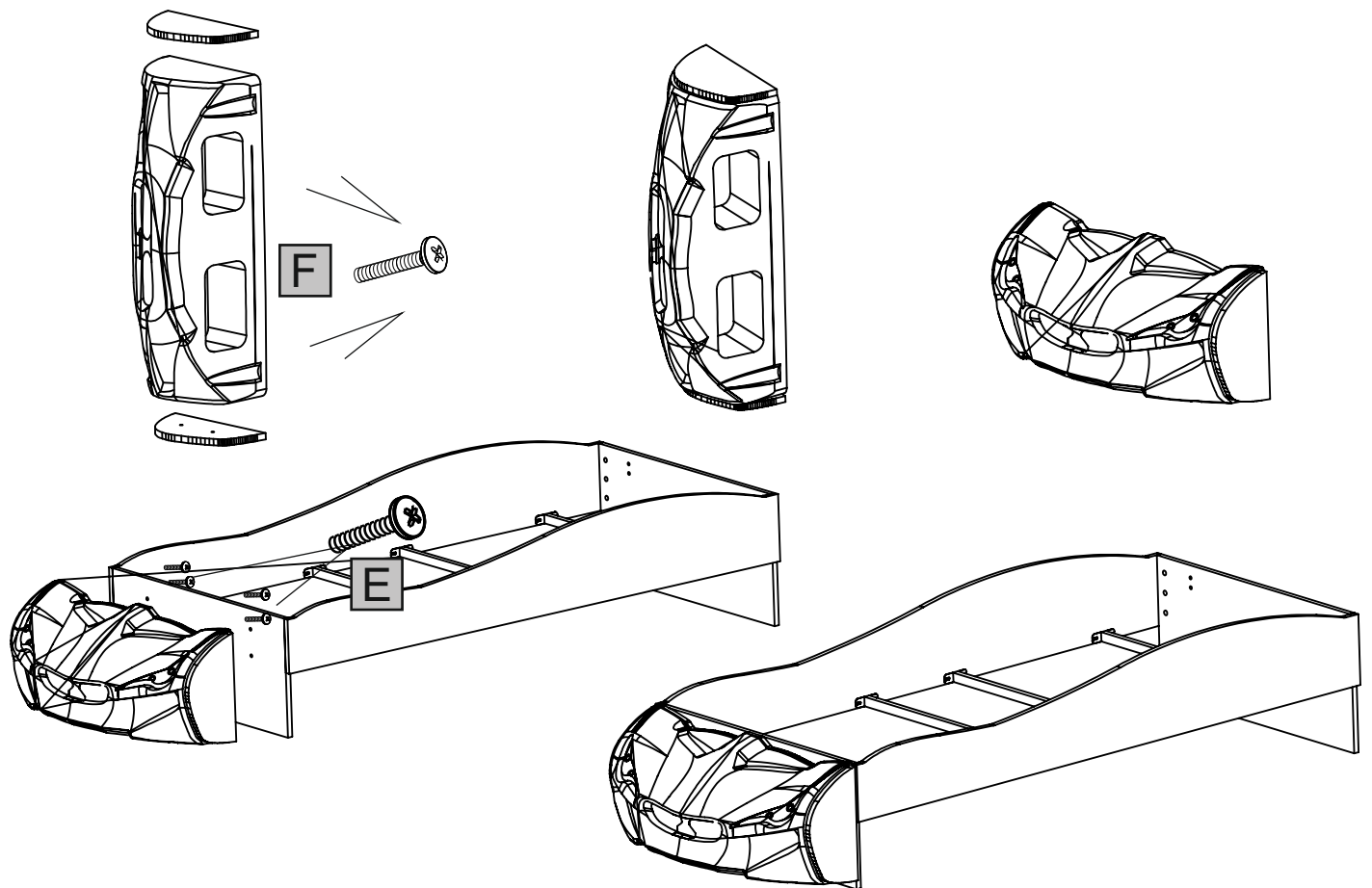
4



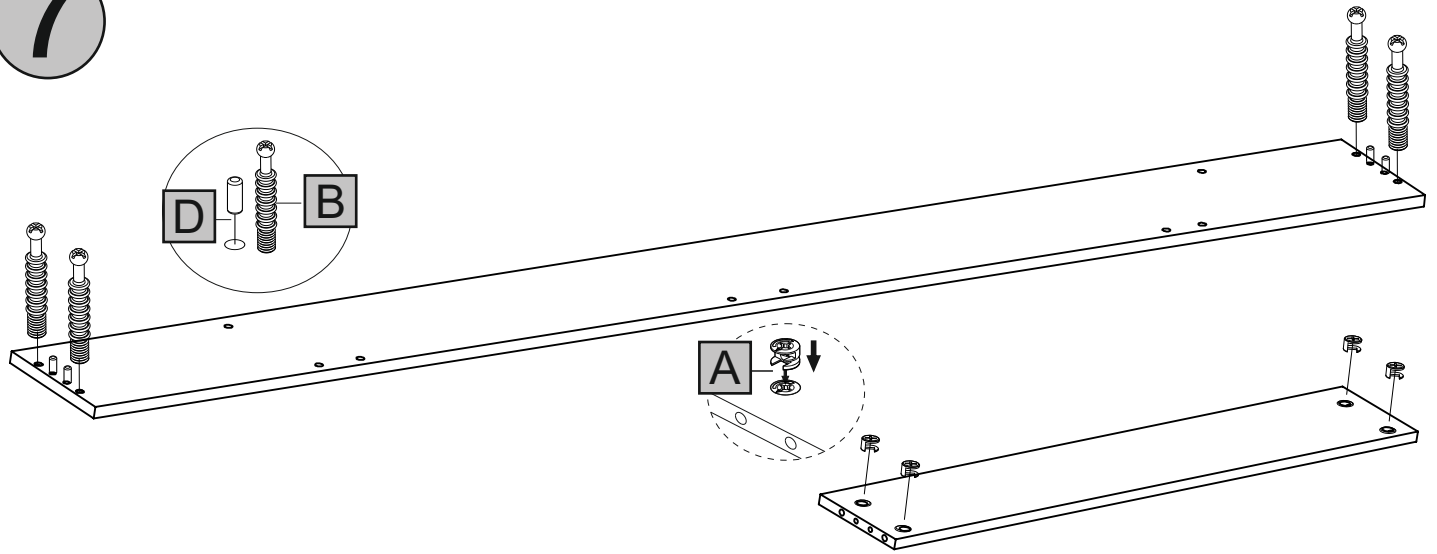
5



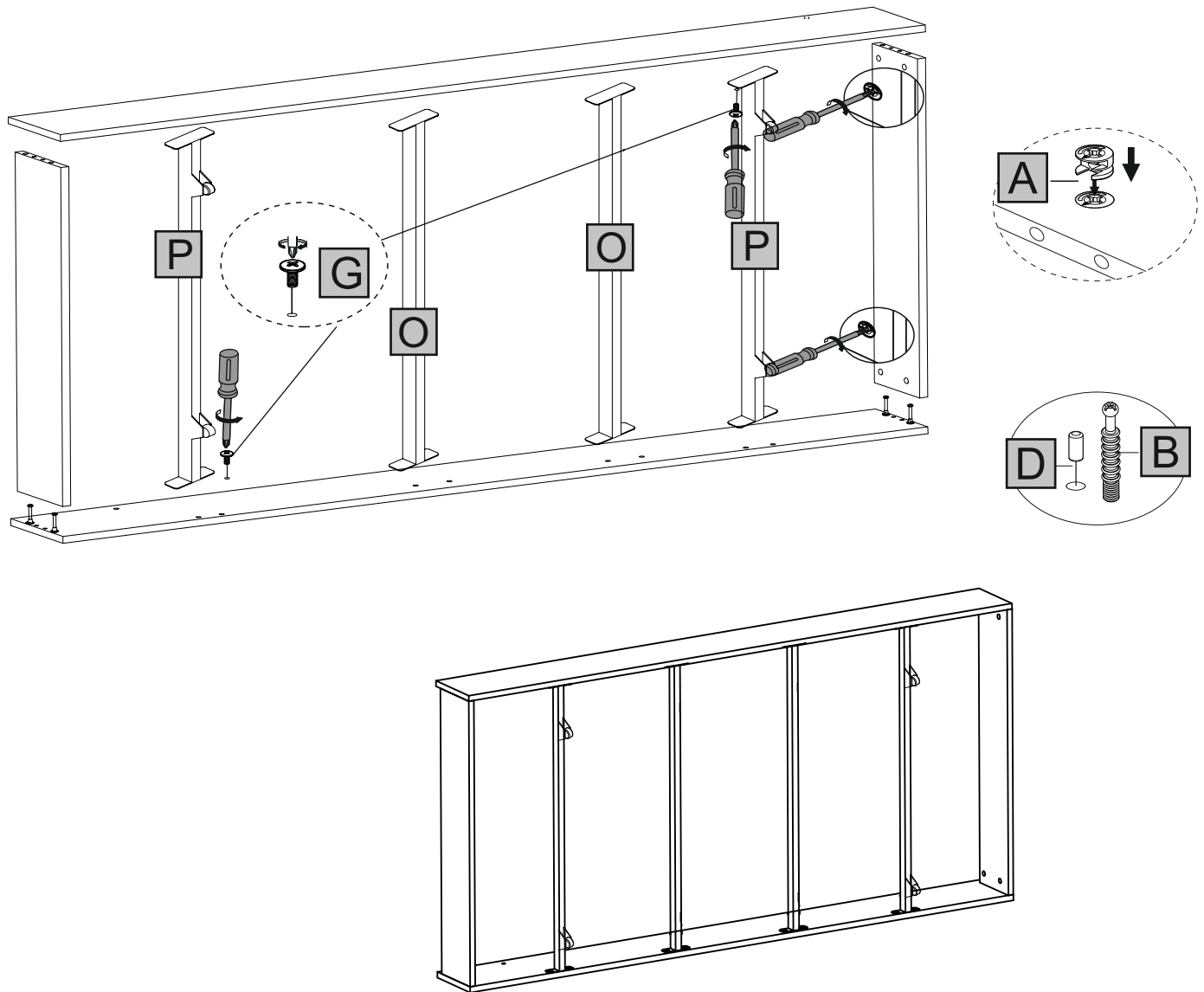
6



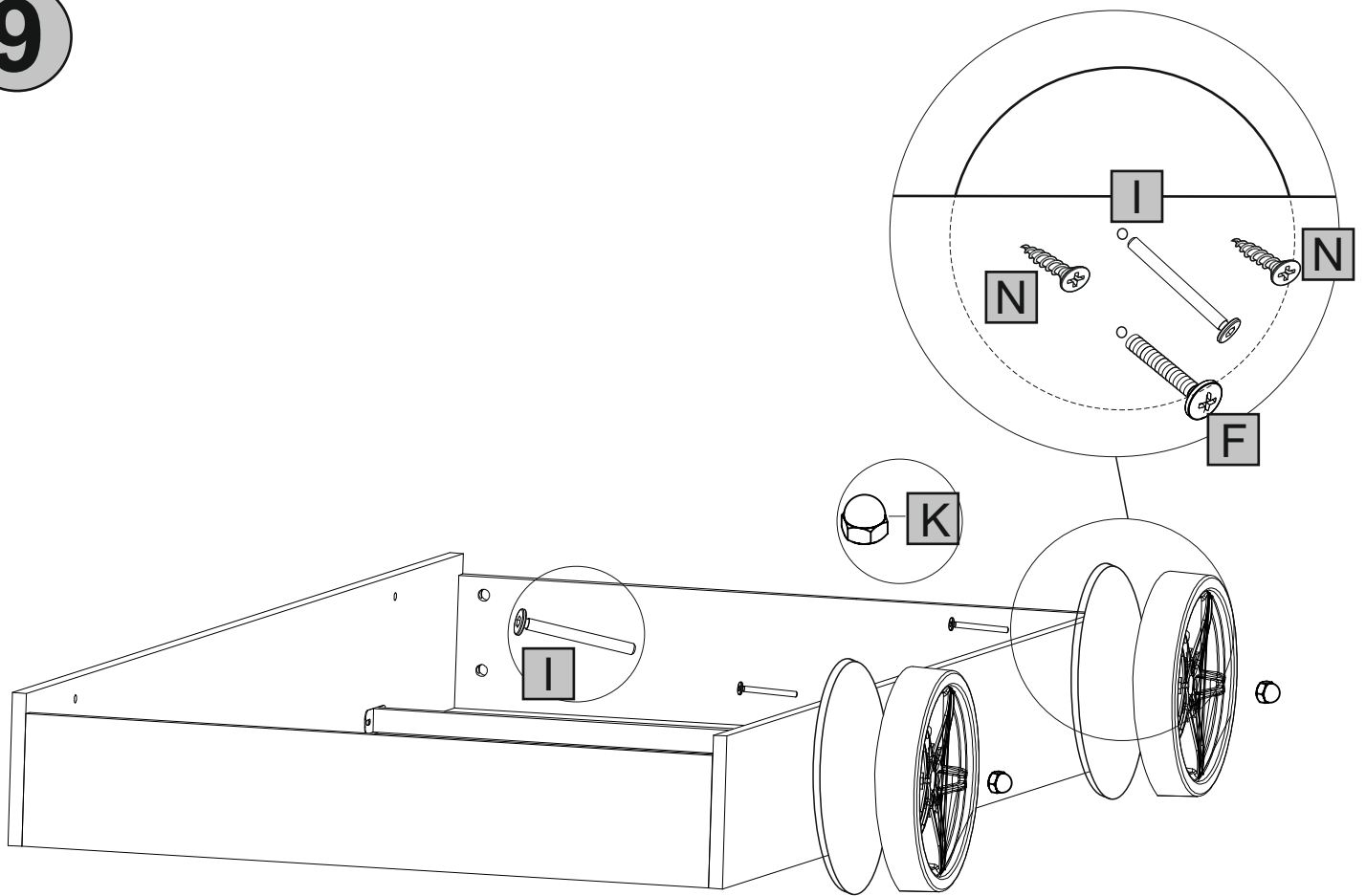
7



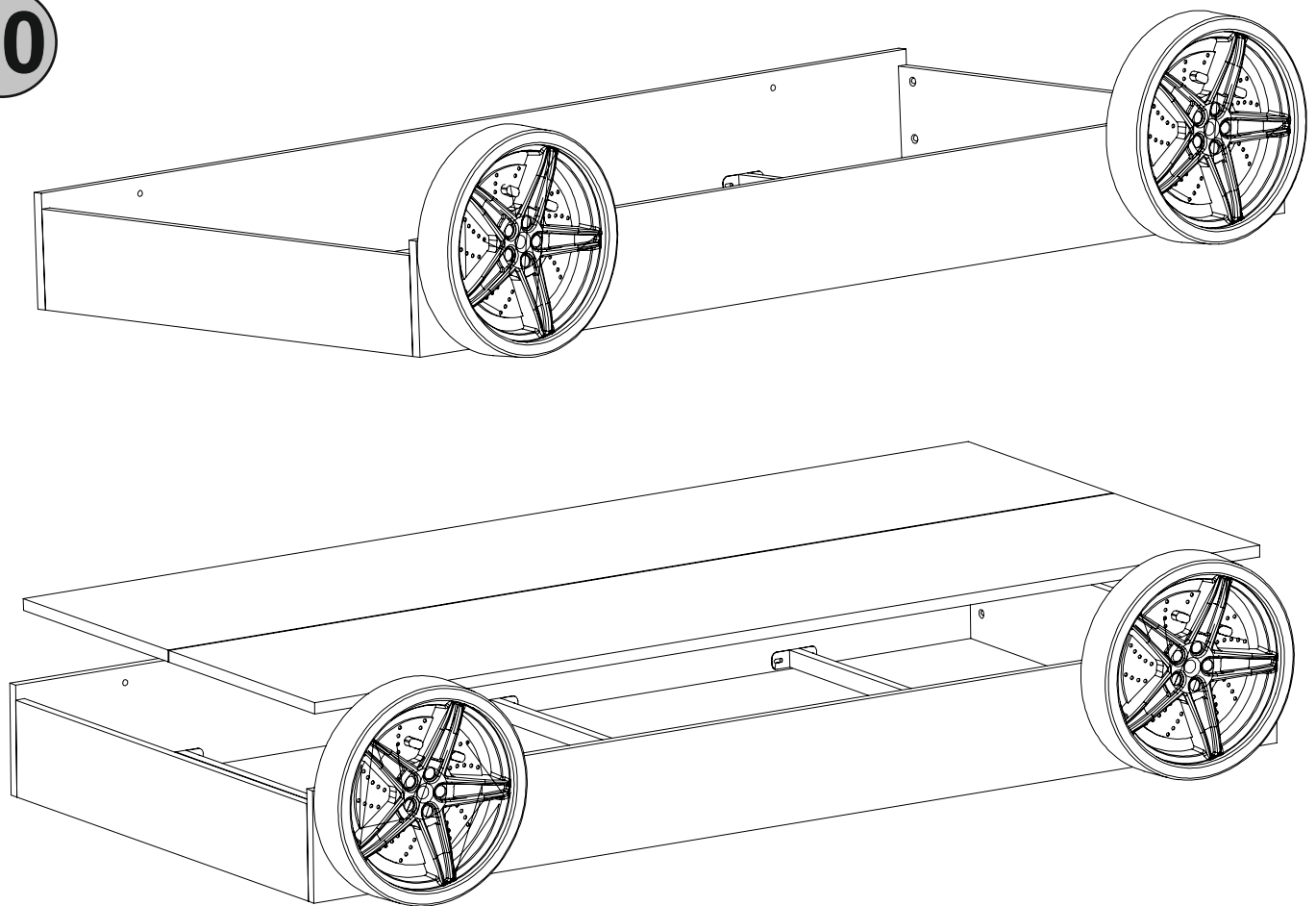
8



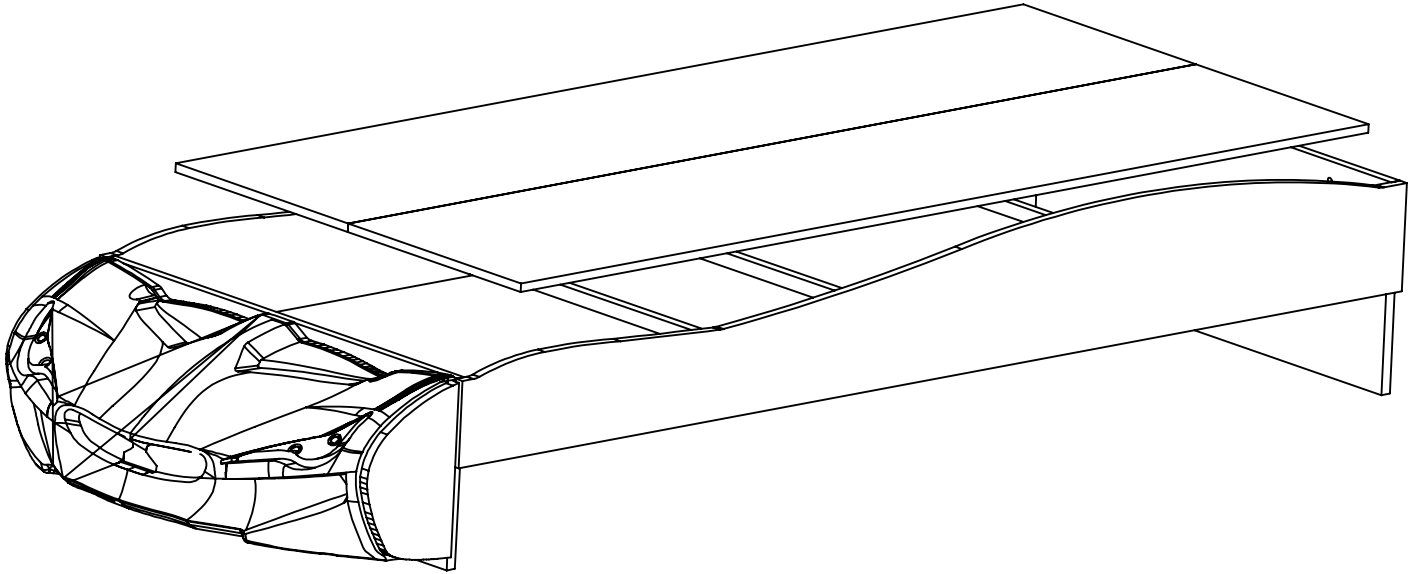
9



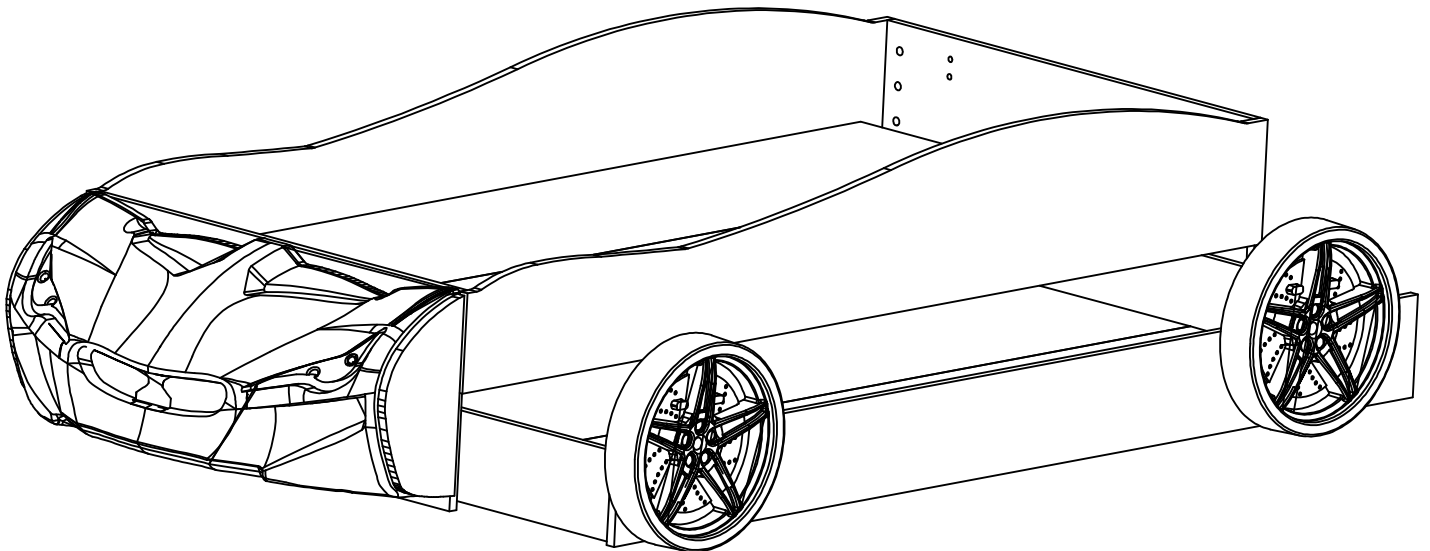
10



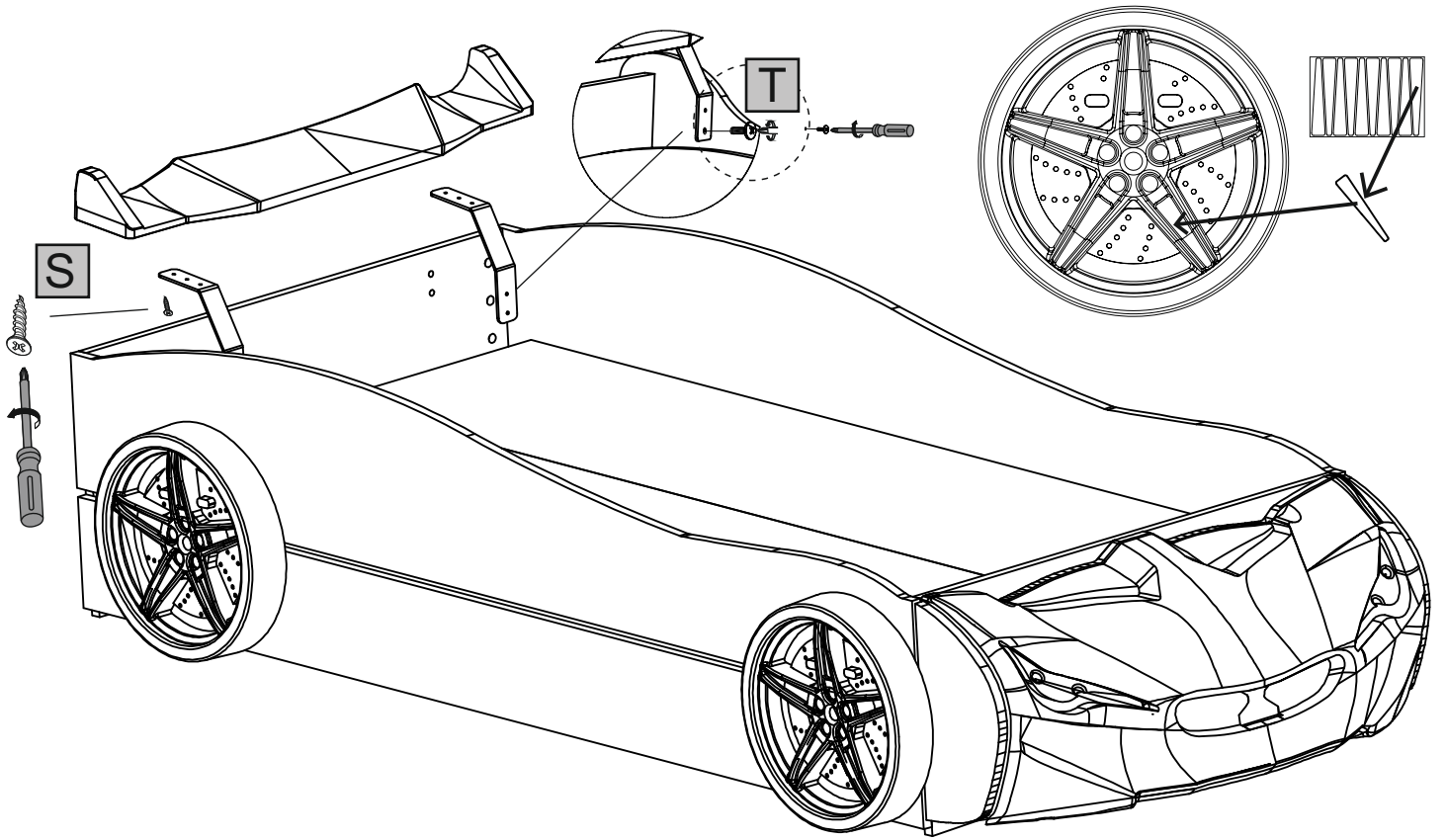
11



12



13



14

