

**PRODUCT NAME**

**SPEEDY BOY CAR BED**

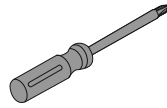
**MODEL NUMBER**

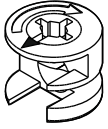
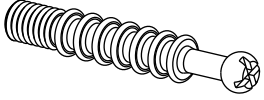
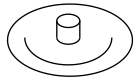
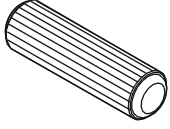
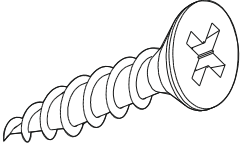
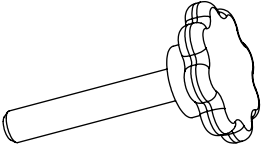
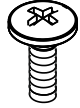
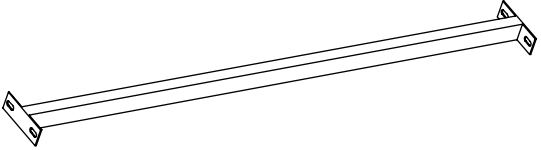
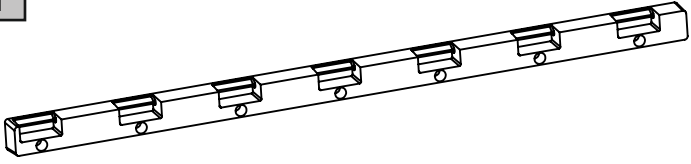
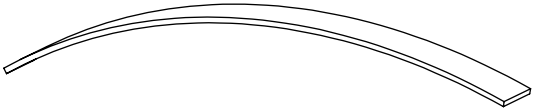
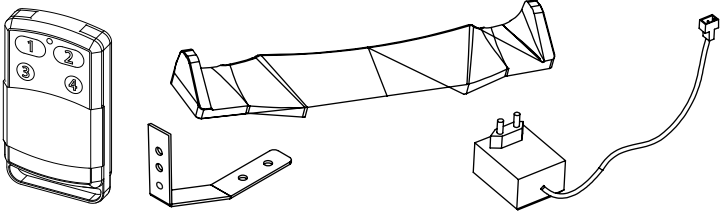
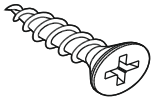
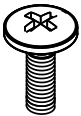
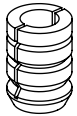
**SLAT SYSTEM, LEATHER SEATS**

**ASSEMBLY INSTRUCTIONS**

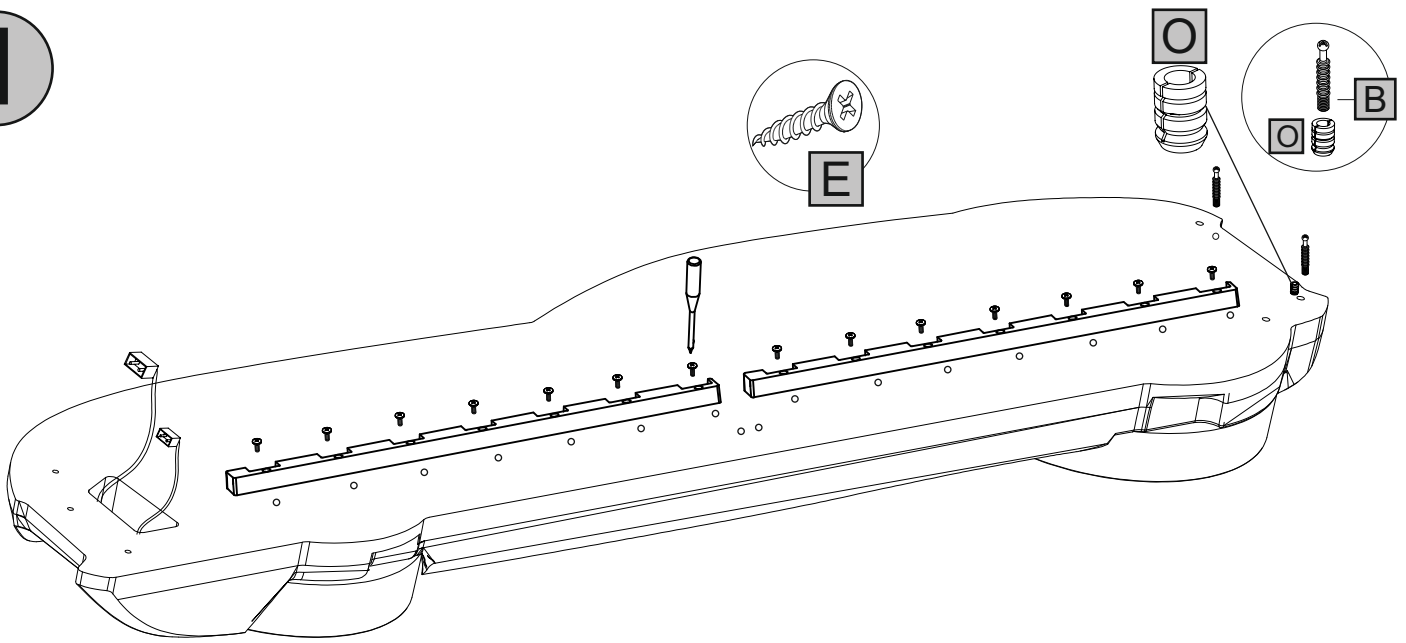


PAGE: 4/1

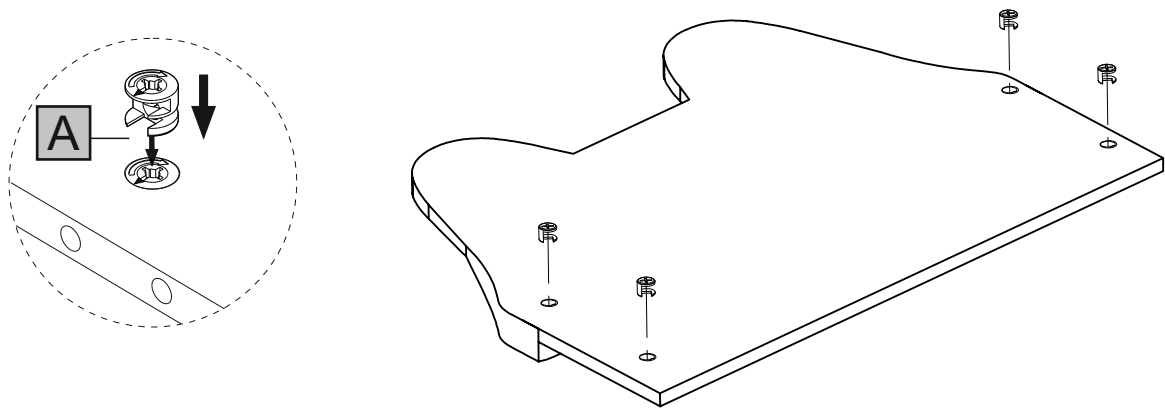


<b>A</b> 	<b>B</b> 	<b>C</b> 	<b>D</b> 
MINIFIX NUT x4 pc.	MINIFIX STUD x4 pc.	MINIFIX WHITE PLUG x4 pc.	DOWEL x4 pc.
<b>E</b> 	<b>F</b> 	<b>G</b> 	
YSB SCREWS M5x30 x28 pc.	BUTTERFLY BOLT M6 x4 pc.	YSB SCREWS M6x12 x4 pc.	
<b>H</b> 		<b>I</b> 	
SLAT'S SUPPORT STEEL x1 pc.		SLAT'S SUPPORT x4 pc.	
<b>K</b> 			
SLATS x14 pc.	SPOILER x1pc, SPOILER HOLDER x2pc, REMOTE CONTROL x1pc, ADAPTOR x1pc		
<b>L</b> 	<b>M</b> 	<b>N</b> 	
3x18 BACKREST SCREW x6 pc.	YSB M6x12 SCREW x4 pc.	PLASTIC DOWEL x2 pc.	

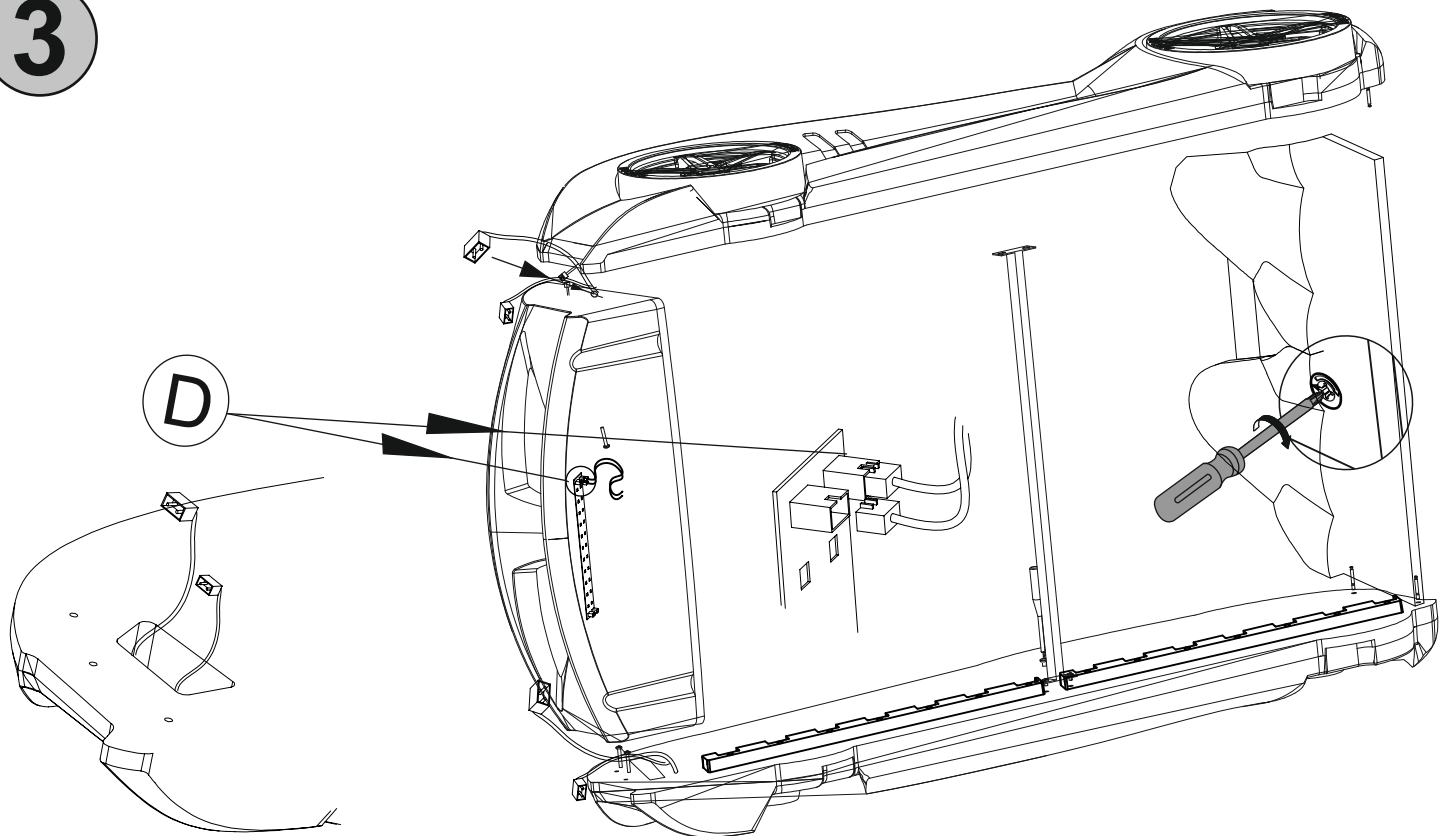
1



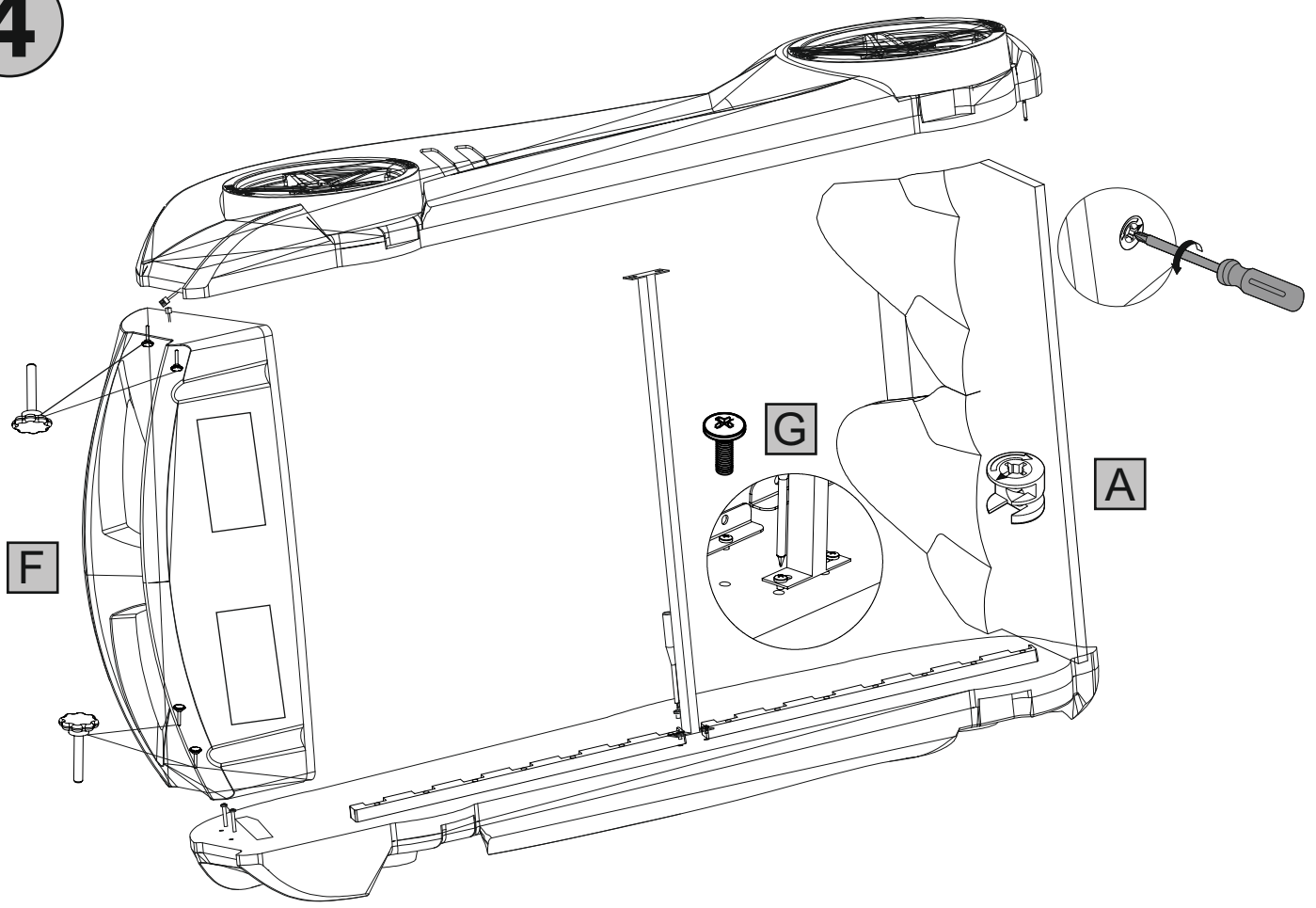
2



3



4



5

