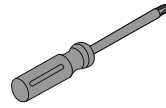
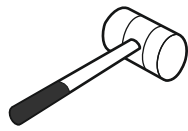
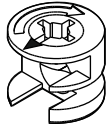
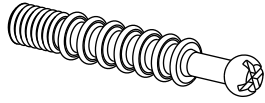
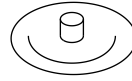
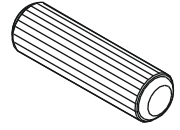
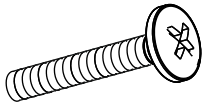
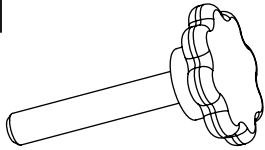
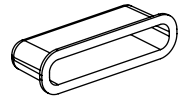
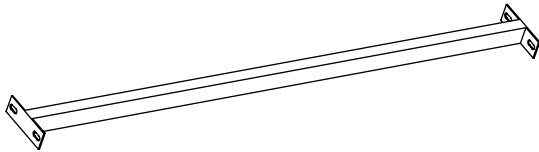


**PRODUCT NAME**    **MVN1 CAR BED**

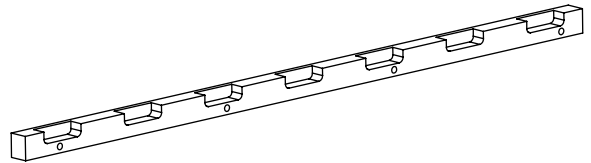
**MODEL NUMBER**    **SLAT SYSTEM**

**ASSEMBLY INSTRUCTIONS**



**A**MINIFIX NUT  
x4 pc.**B**MINIFIX STUD  
x4 pc.**C**MINIFIX WHITE  
PLUG x4 pc.**D**DOWEL  
x4 pc.**E**YSB SCREWS  
M6x35 x16 pc.**F**BUTTERFLY BOLT  
M6 x4 pc.**G**YSB SCREWS  
M6x12 x4 pc.**H**SLAT'S PLASTIC  
COVER x28 pc.**I**

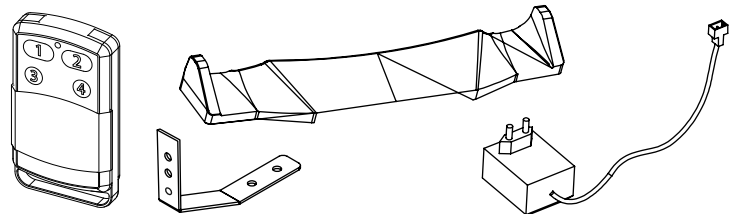
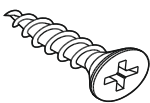
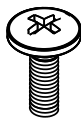
SLAT'S SUPPORT STEEL x1 pc.

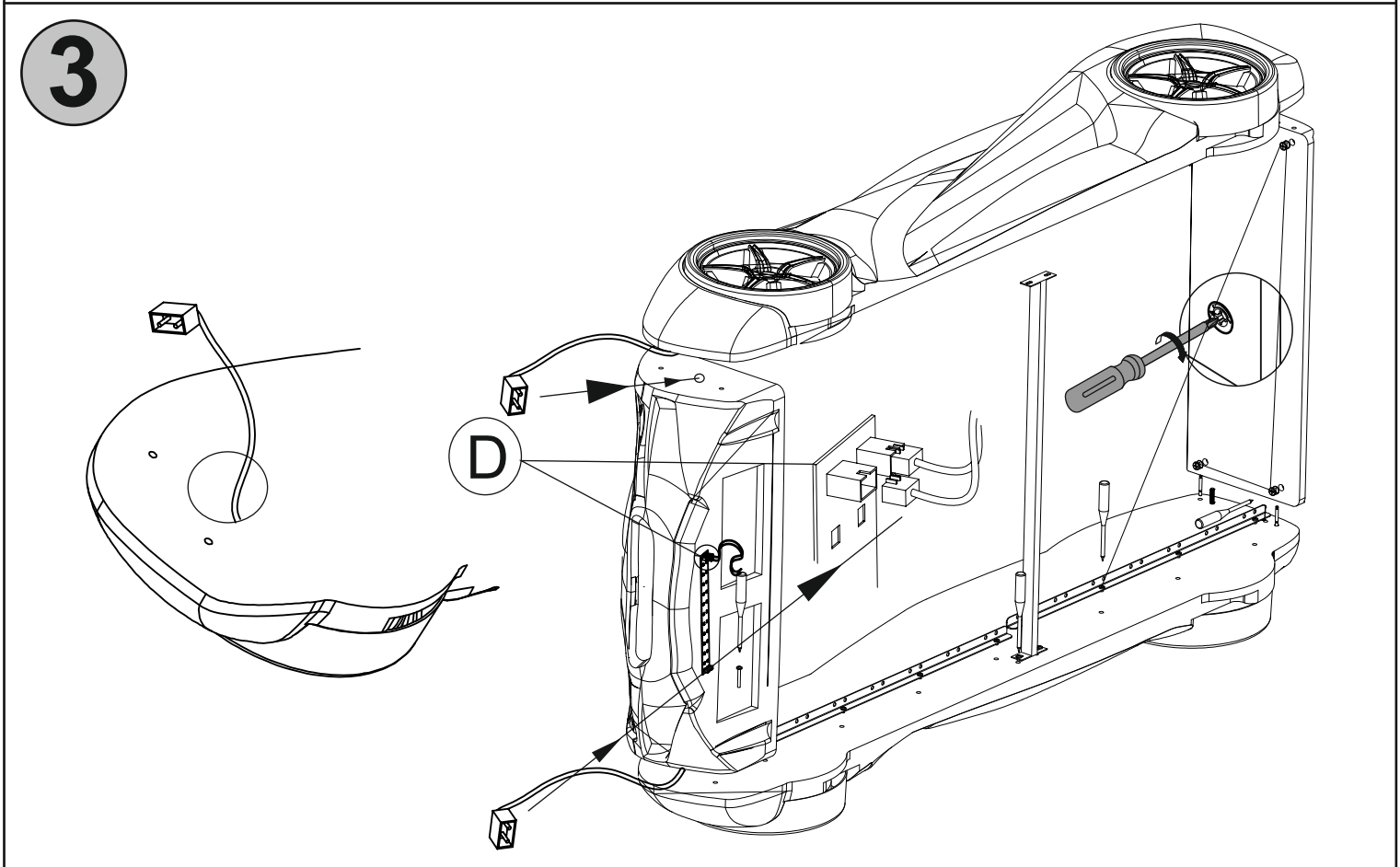
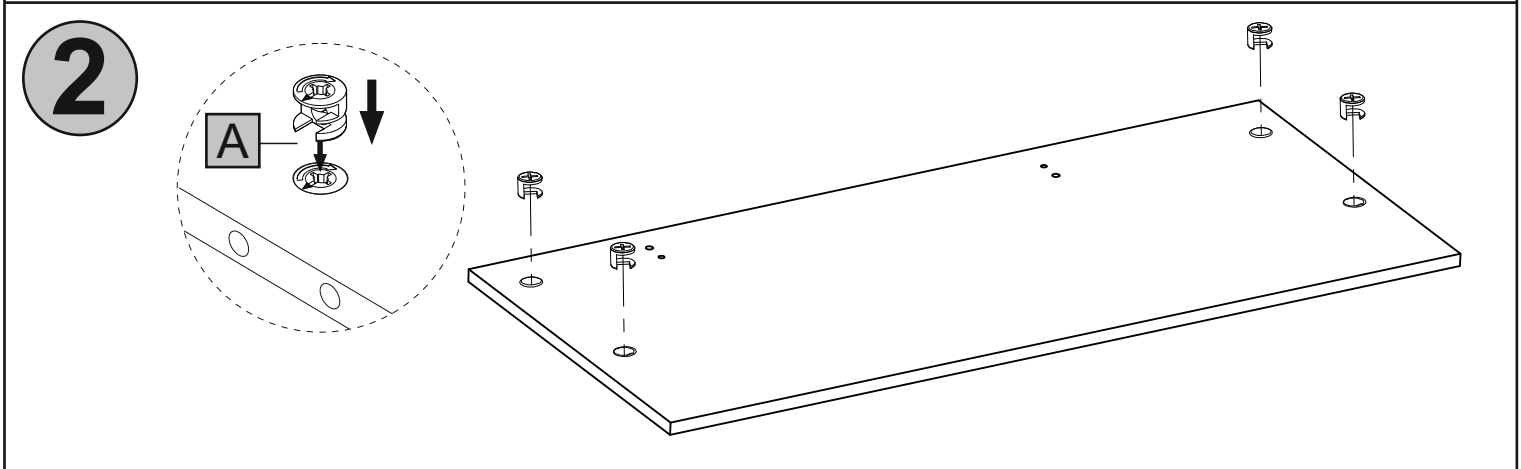
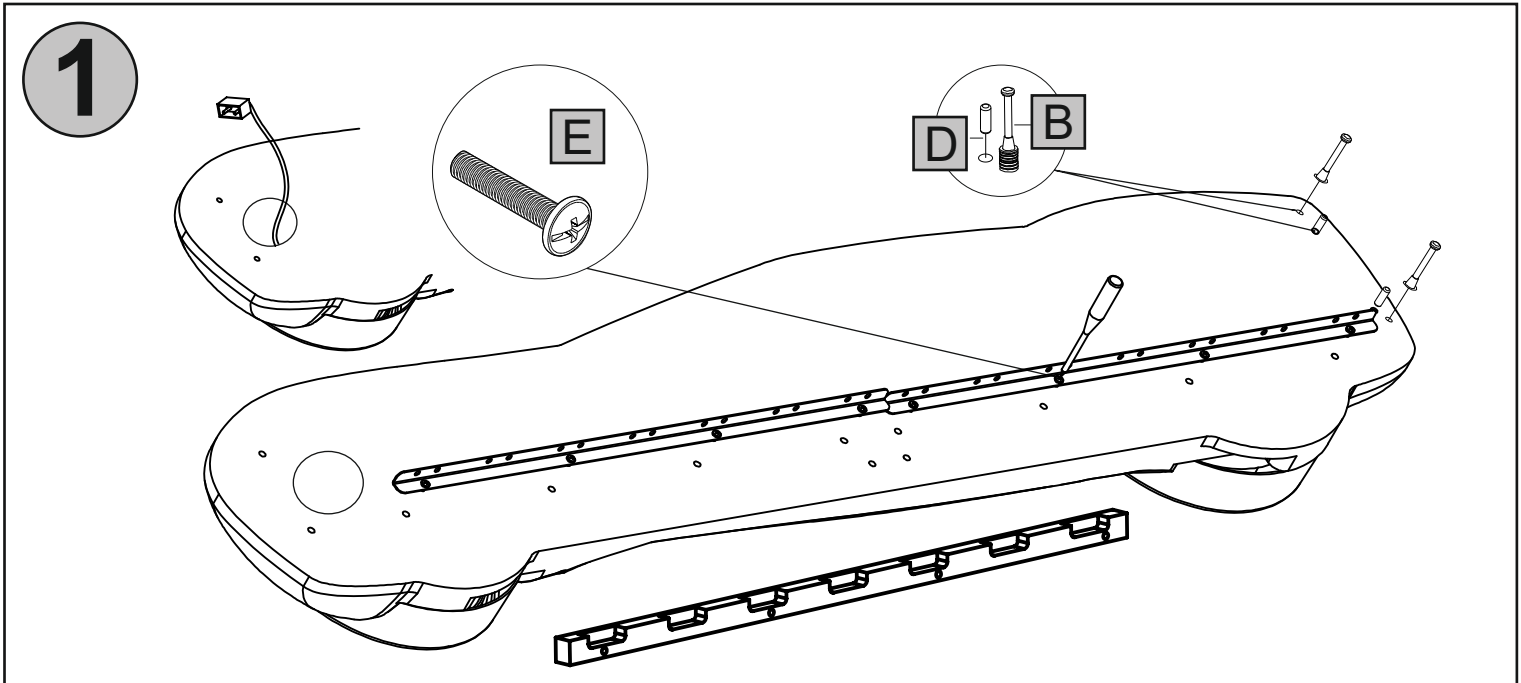
**K**

MDF SLAT'S SUPPORT x4 pc.

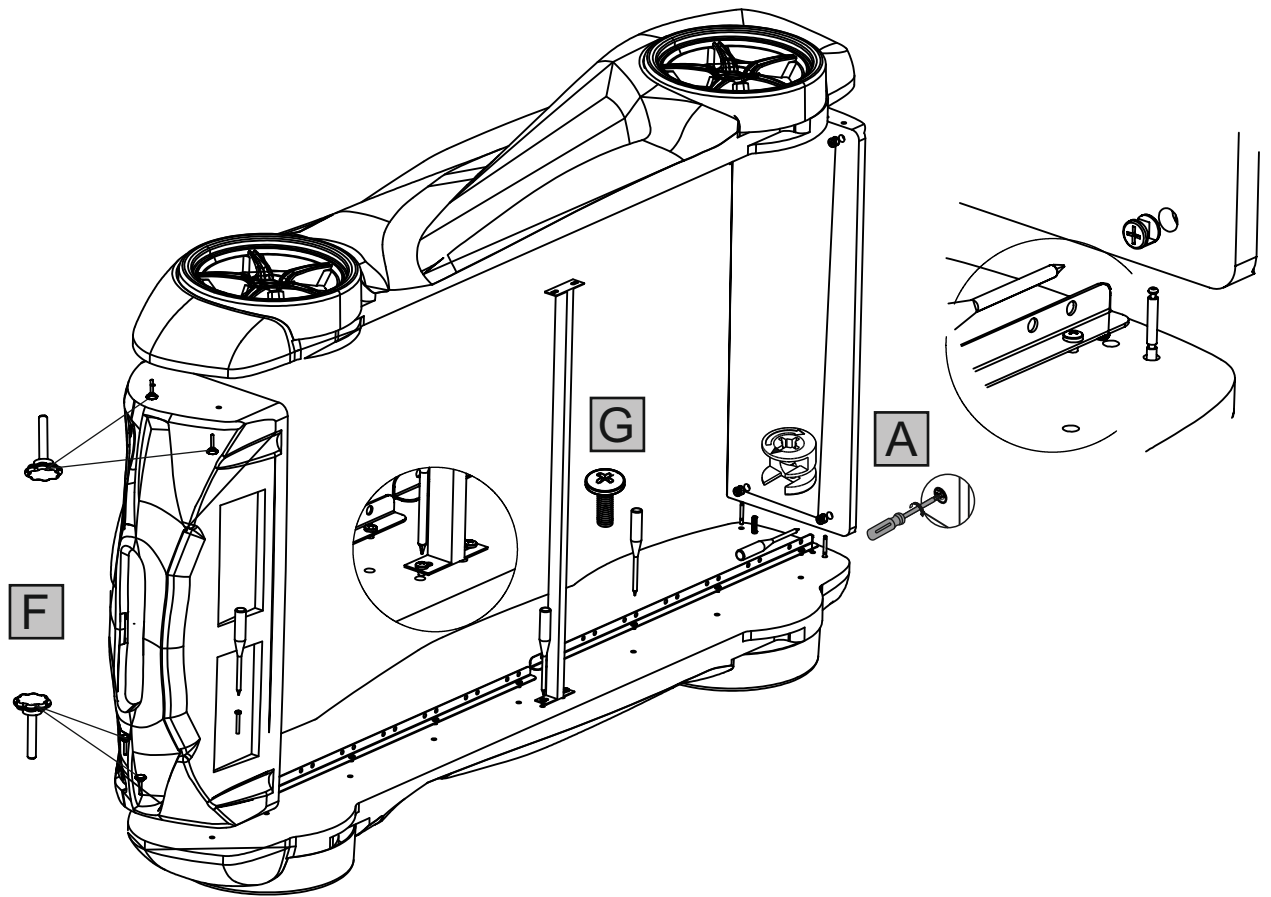
**L**

SLATS x14 pc.

SPOILER x1pc, SPOILER HOLDER x2pc,  
REMOTE CONTROL x1pc, ADAPTOR x1pc**M**3x18 BACKREST  
SCREW x6 pc.**N**YSB M6x12  
SCREW x4 pc.



4



5

