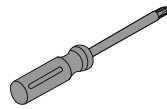


<b>PRODUCT NAME</b>	<b>MVN1 CAR BED</b>
---------------------	---------------------

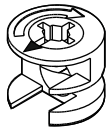
<b>MODEL NUMBER</b>	<b>SLAT SYSTEM</b>
---------------------	--------------------

<b>ASSEMBLY INSTRUCTIONS</b>
------------------------------



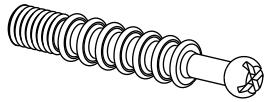


**A**



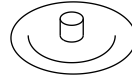
**MINIFIX NUT**  
x4 pc.

**B**



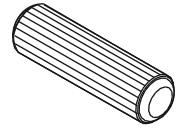
**MINIFIX STUD**  
x4 pc.

**C**



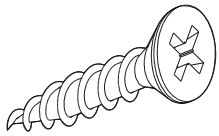
**MINIFIX WHITE PLUG** x4 pc.

**D**



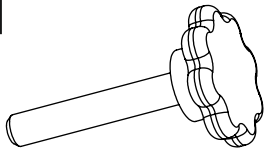
**DOWEL**  
x4 pc.

**E**



**YSB SCREWS**  
M5x30 x28 pc.

**F**



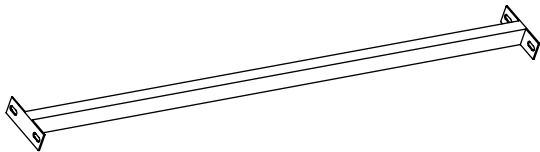
**BUTTERFLY BOLT**  
M6 x4 pc.

**G**



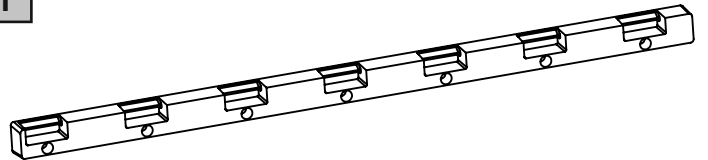
**YSB SCREWS**  
M6x12 x4 pc.

**H**



**SLAT'S SUPPORT STEEL** x1 pc.

**I**

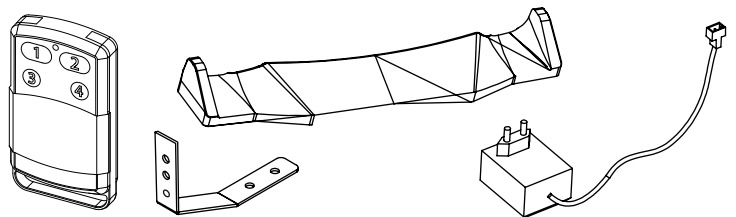


**SLAT'S SUPPORT** x4 pc.

**K**

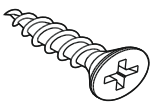


**SLATS** x14 pc.



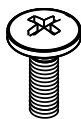
**SPOILER** x1pc, **SPOILER HOLDER** x2pc,  
**REMOTE CONTROL** x1pc, **ADAPTOR** x1pc

**L**

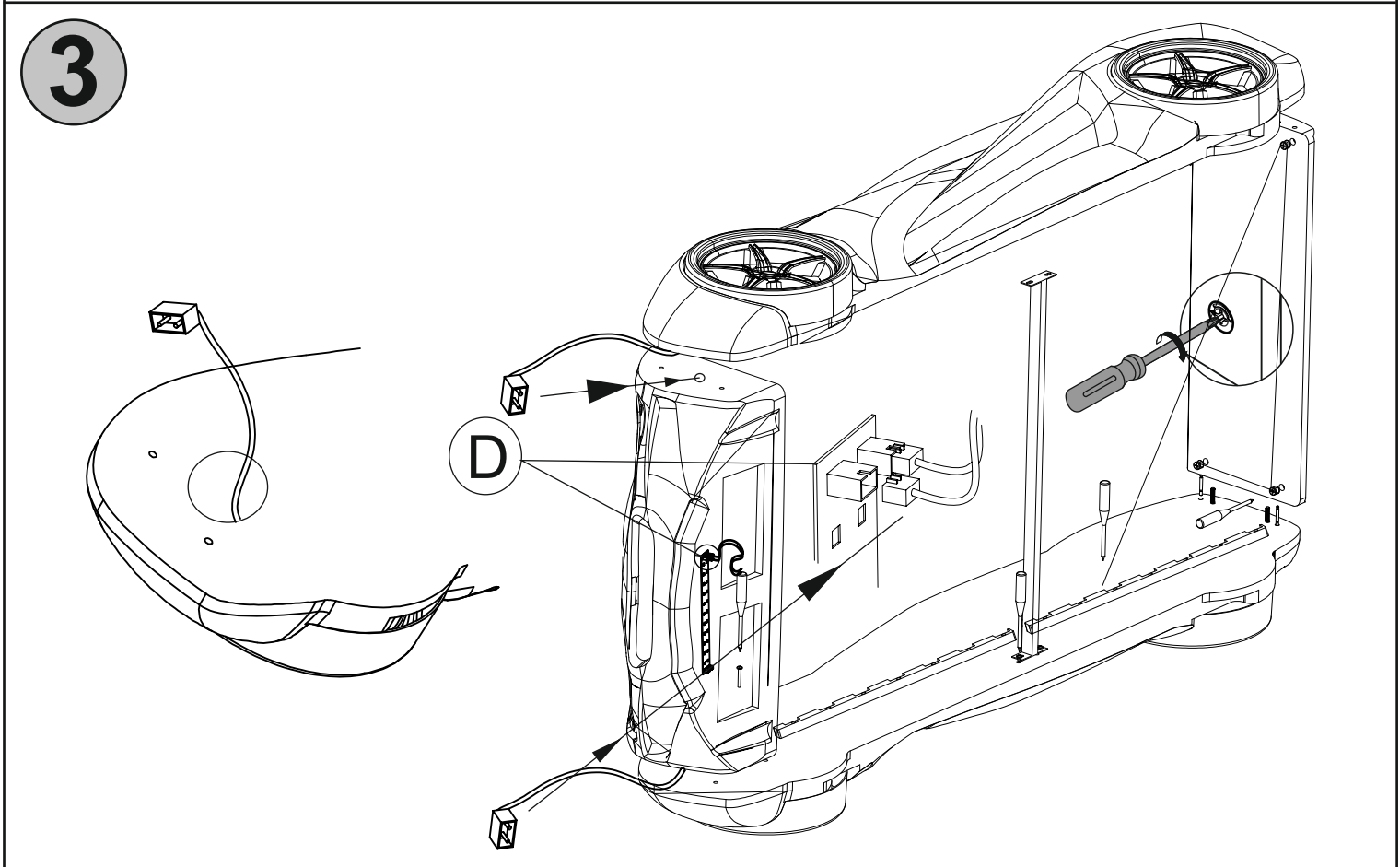
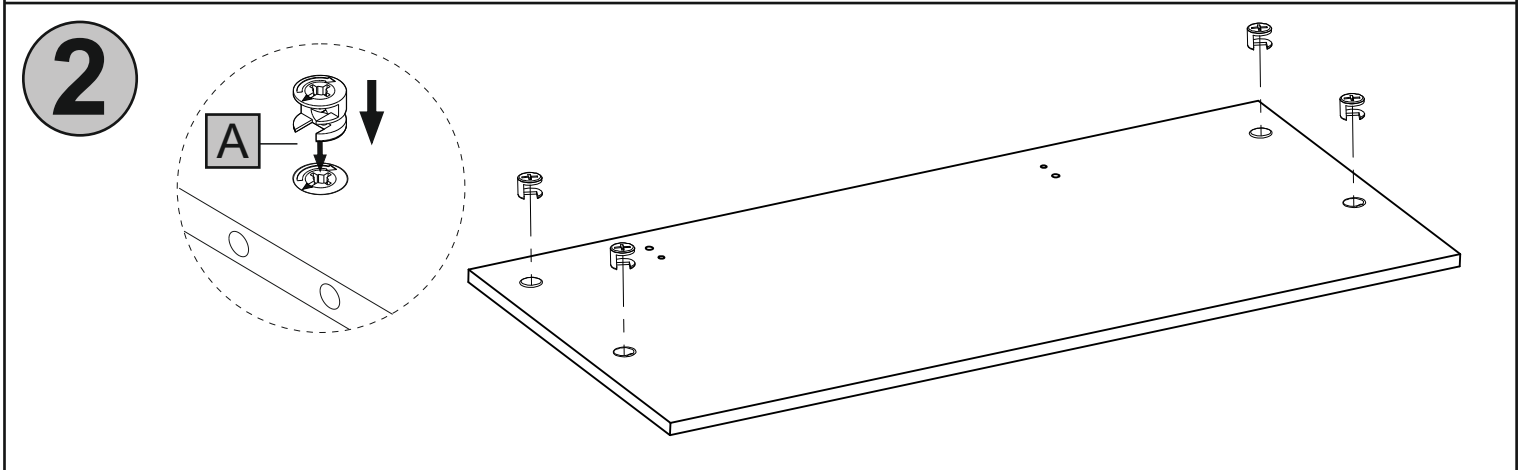
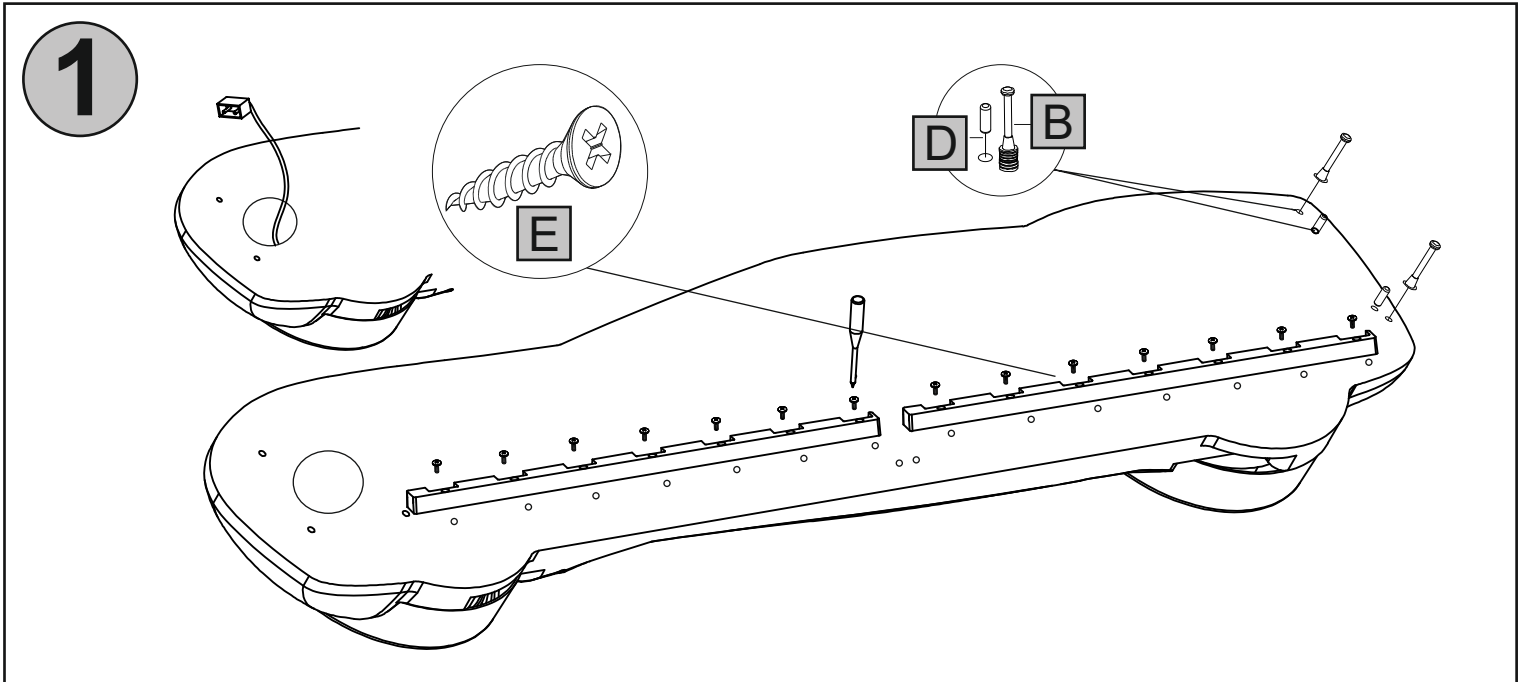


**3x18 BACKREST SCREW** x6 pc.

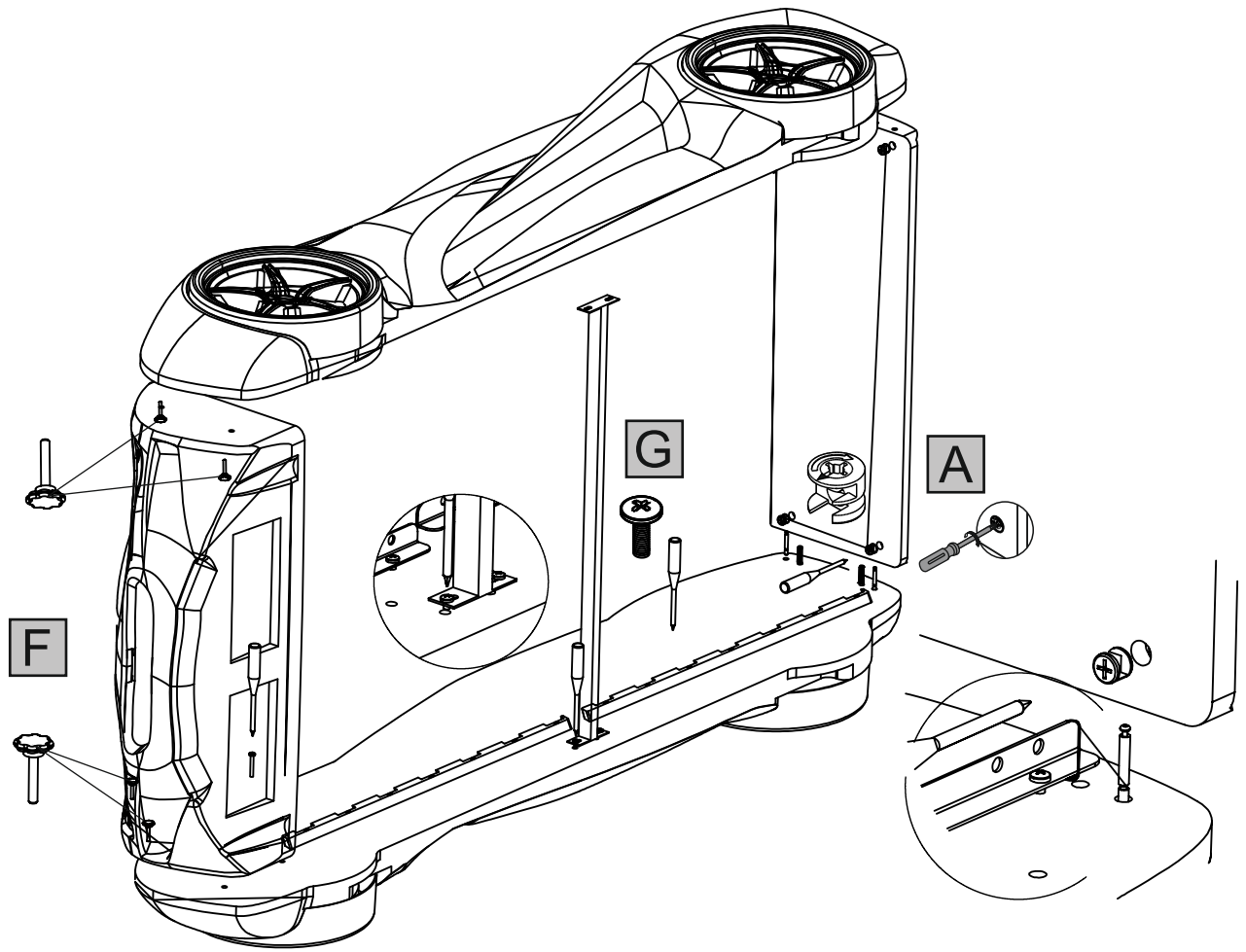
**M**



**YSB M6x12 SCREW** x4 pc.



4



5

