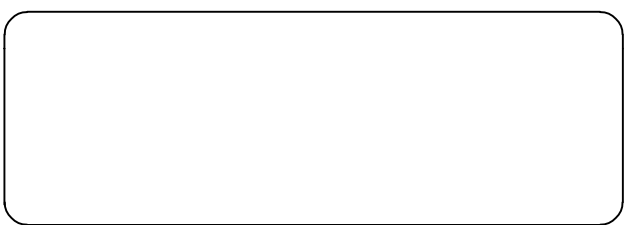
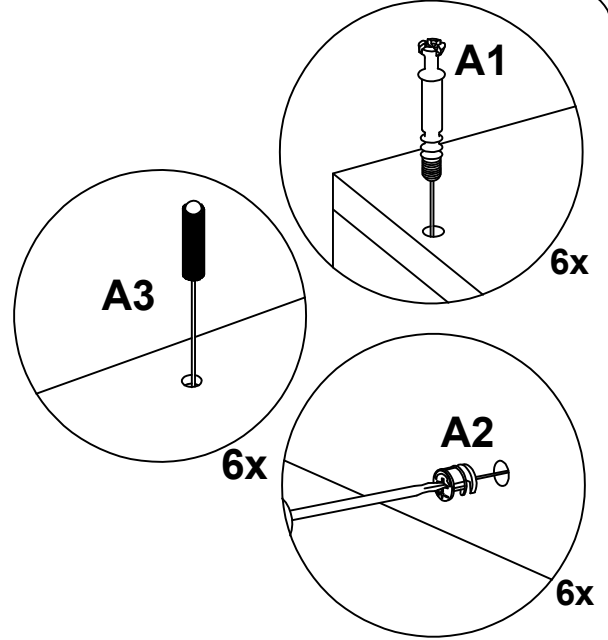
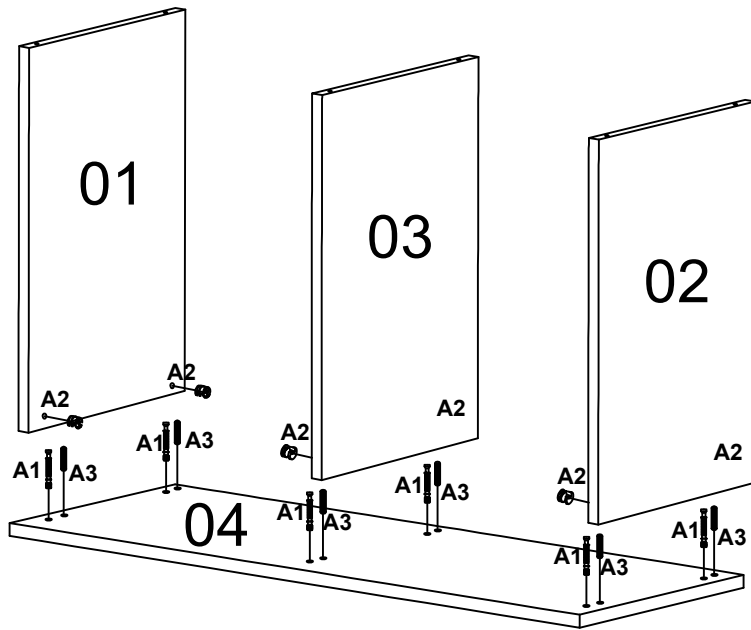


01	564x400x18 mm	x1	06	450x297x18 mm	x1	11	381x359x3 mm	x2
02	564x400x18 mm	x1	07	450x297x18 mm	x1	12	582x441x3 mm	x2
03	564x385x18 mm	x1	08	350x160x18 mm	x2	13	423x380x18 mm	x1
04	900x400x18 mm	x1	09	350x160x18 mm	x2			
05	900x400x18 mm	x1	10	362x120x18 mm	x2			

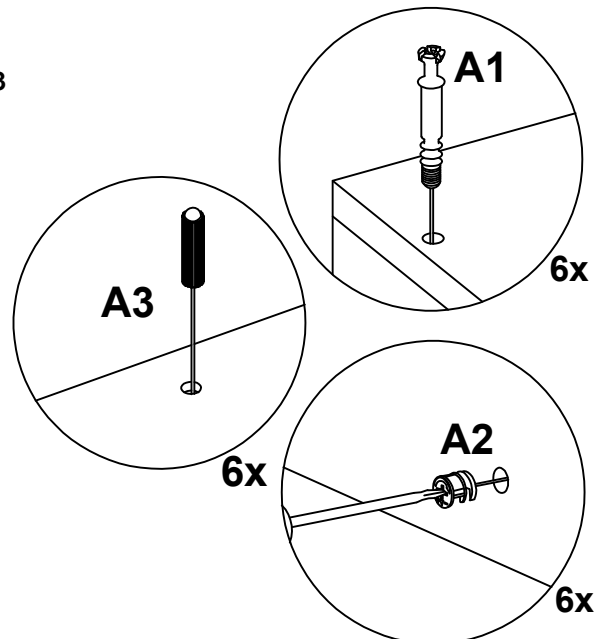
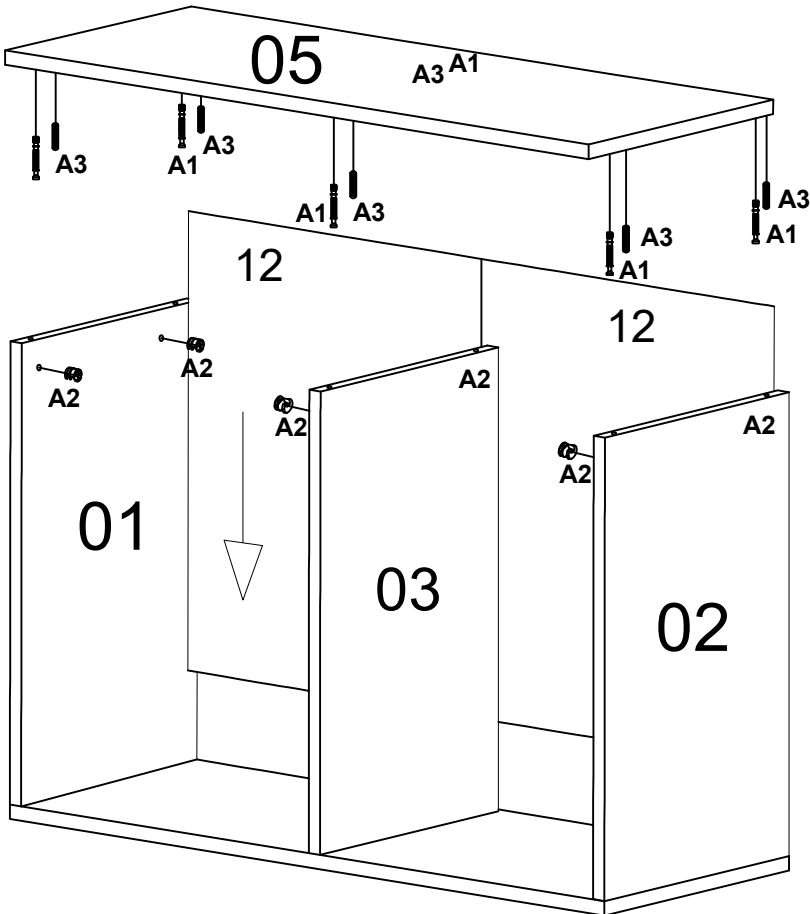
<b>A1</b>	<b>A2</b>	<b>A3</b>	<b>B1</b> 3,5x18	<b>B3</b> 4x22	<b>C1</b>	<b>C8</b>	<b>D1</b>	<b>D9</b>	<b>E3</b>
28x	28x	20x	46x	2x	4x	8x	18x	1x	2x



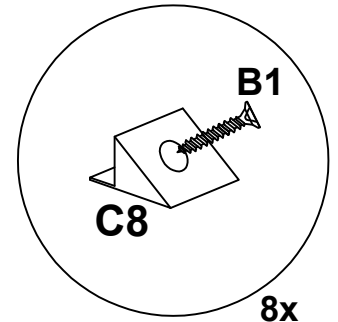
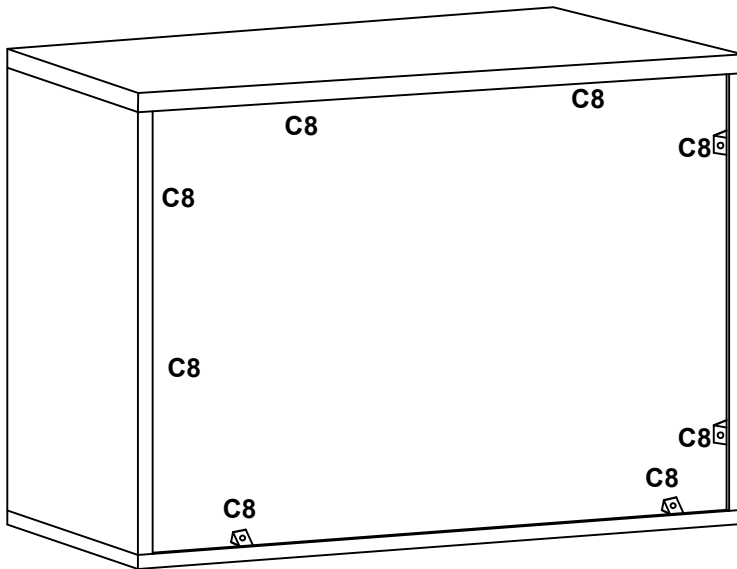
1



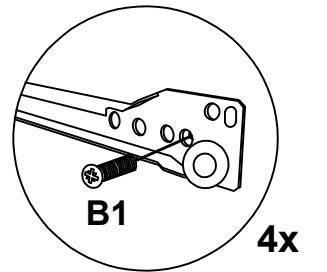
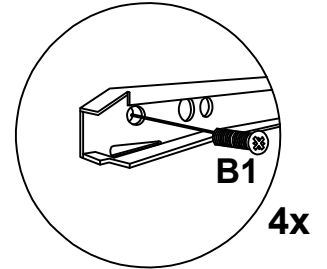
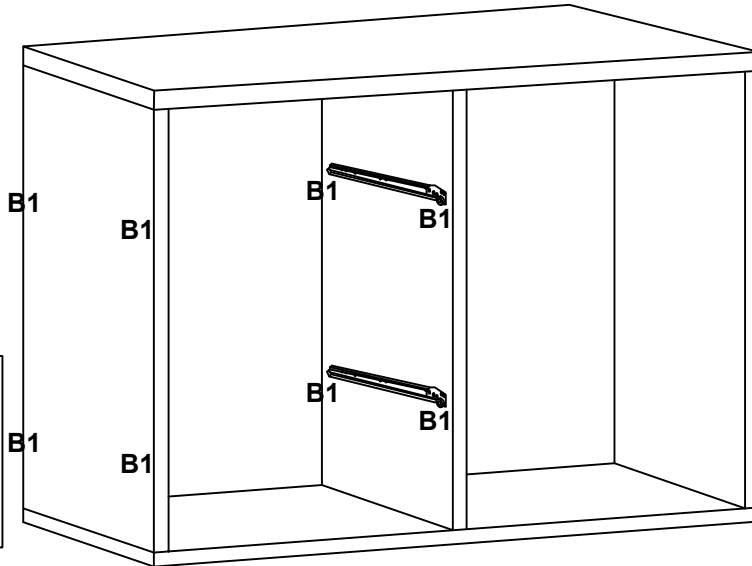
2



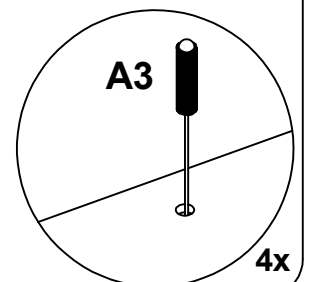
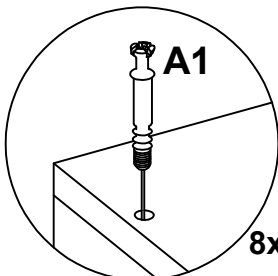
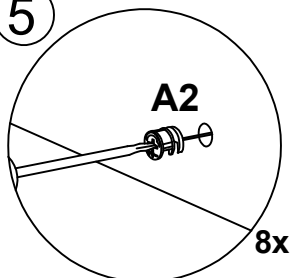
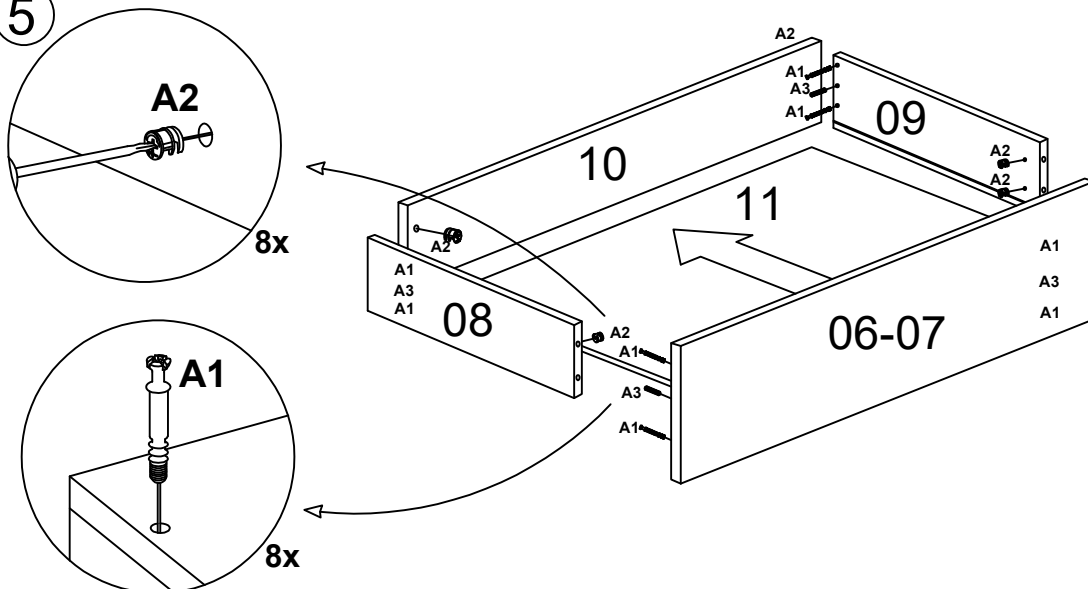
3



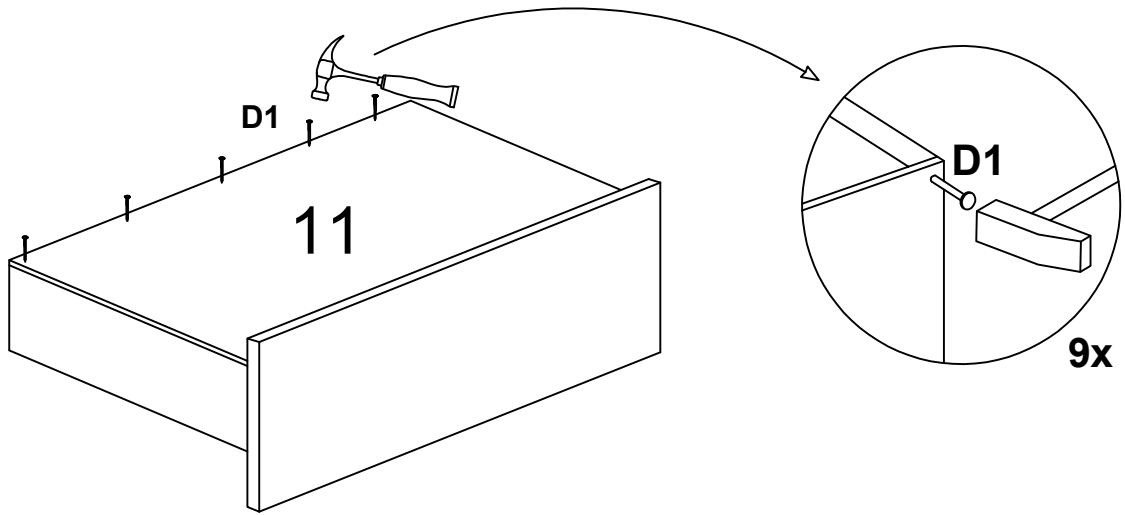
4



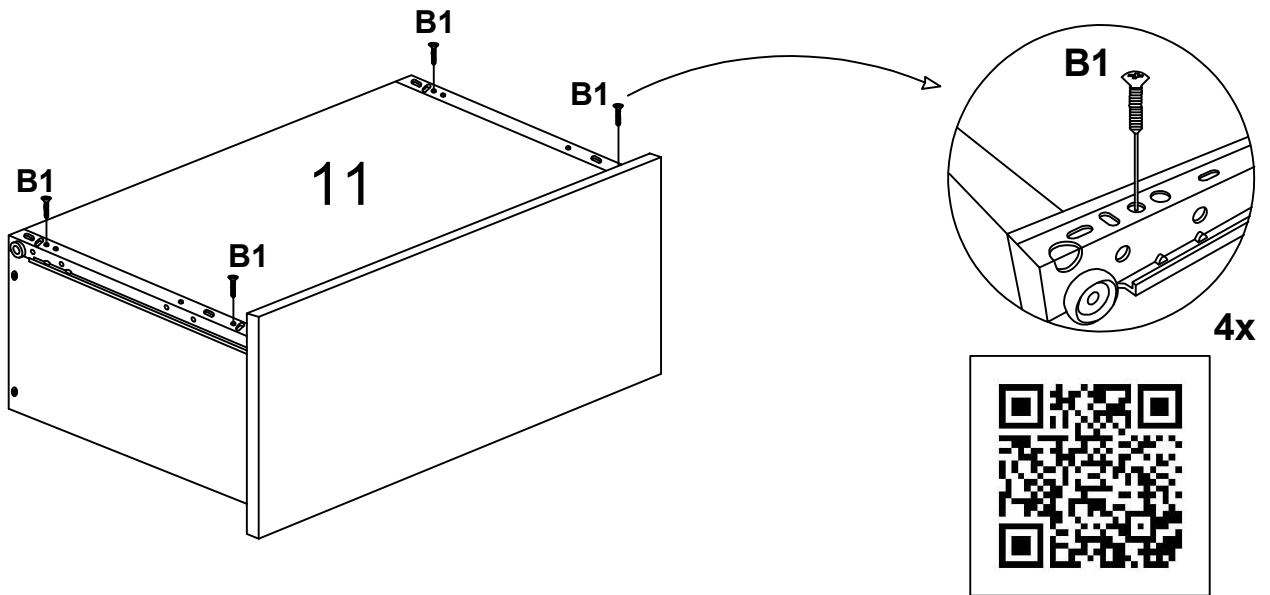
5



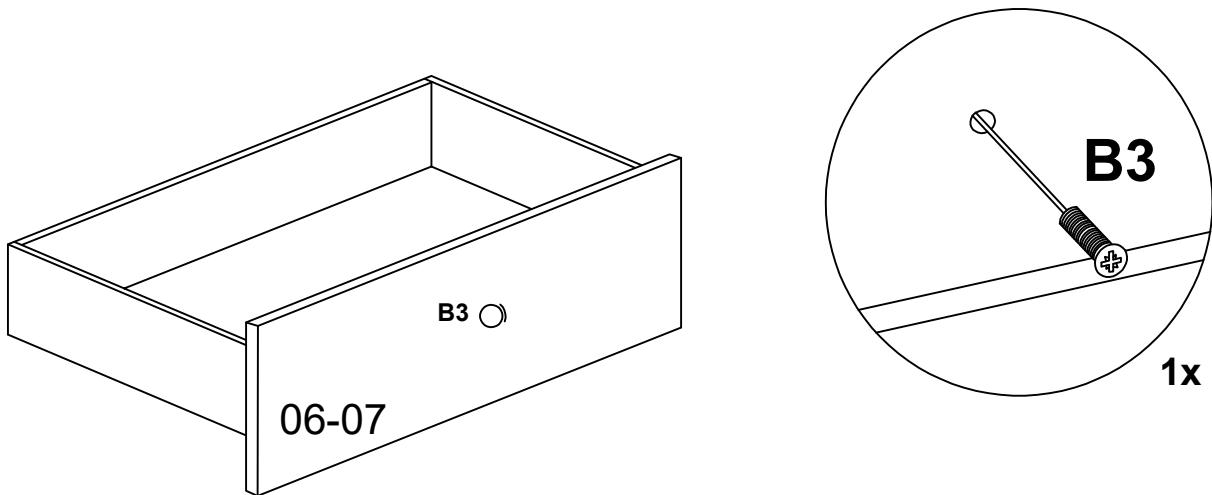
6



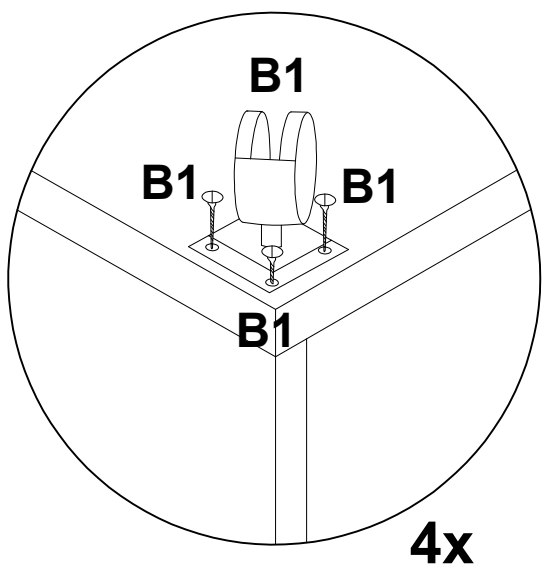
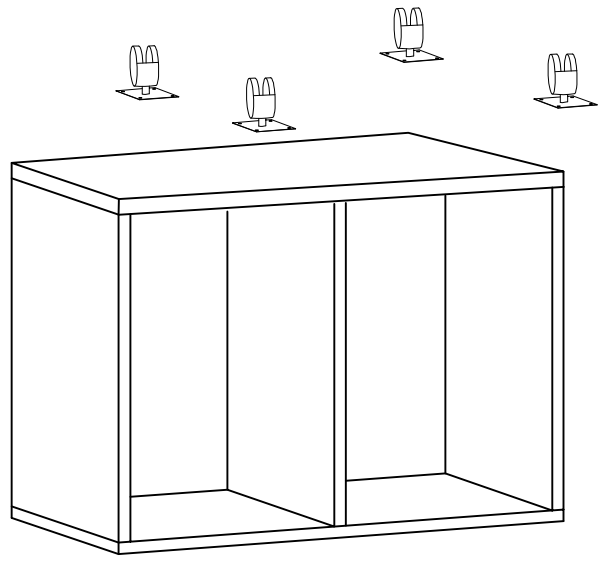
7



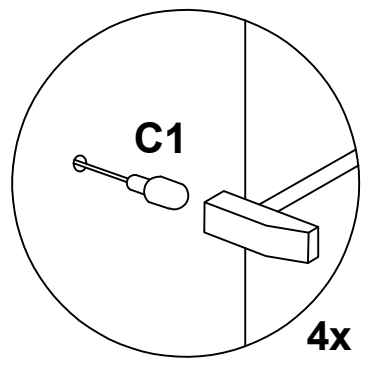
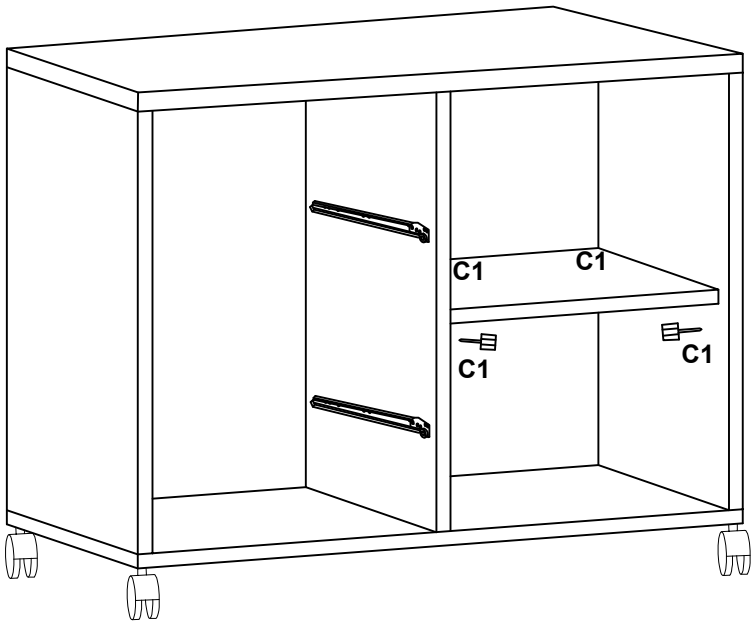
8



9



10



11

