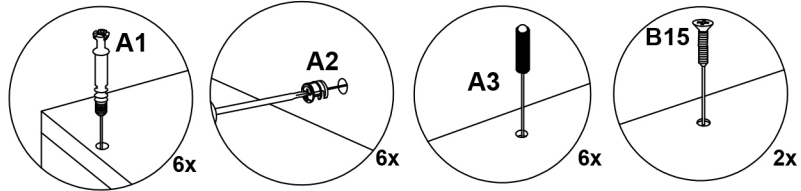
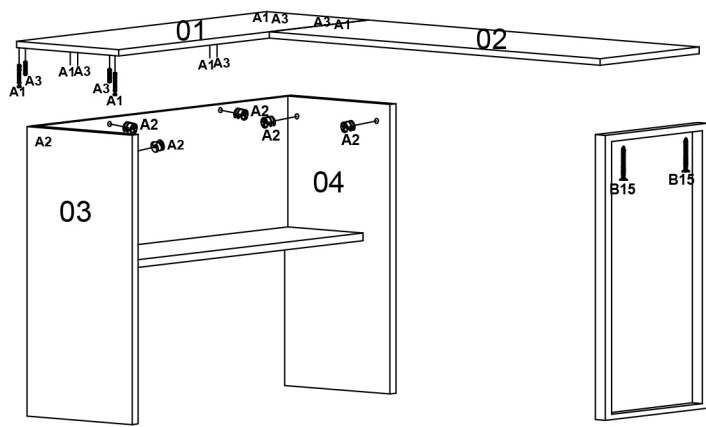
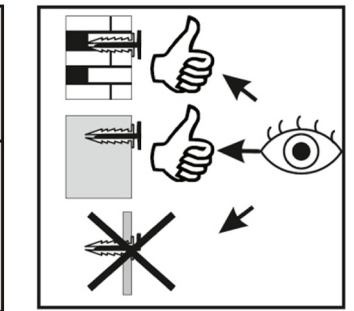
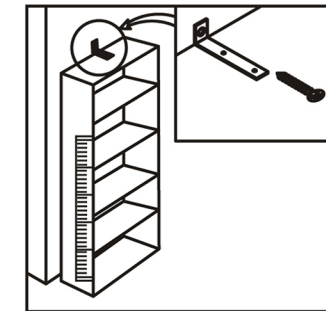
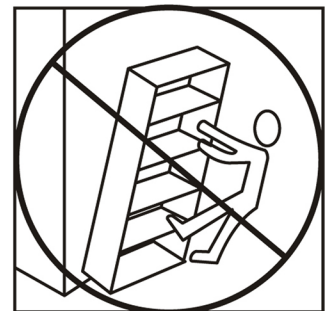
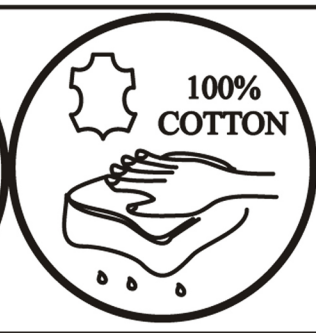
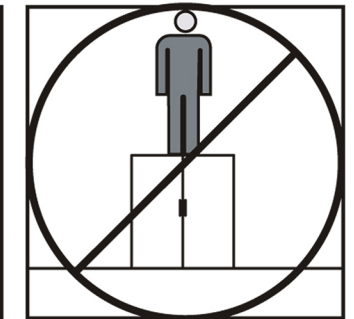
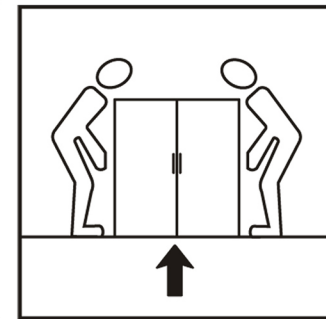
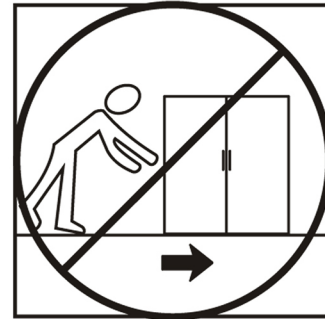
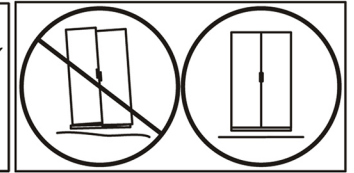
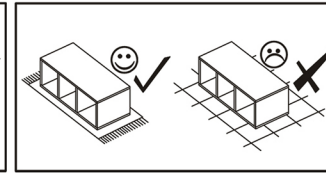
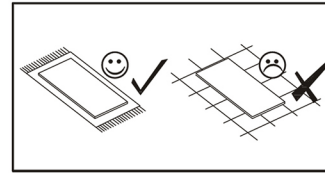
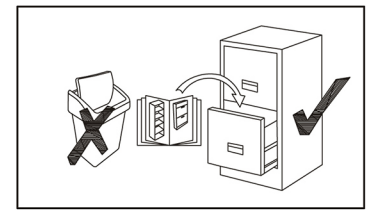
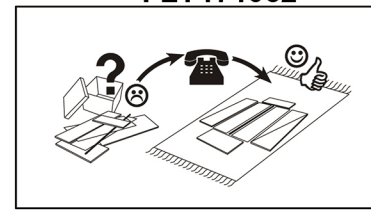
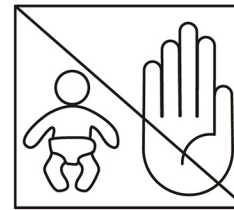
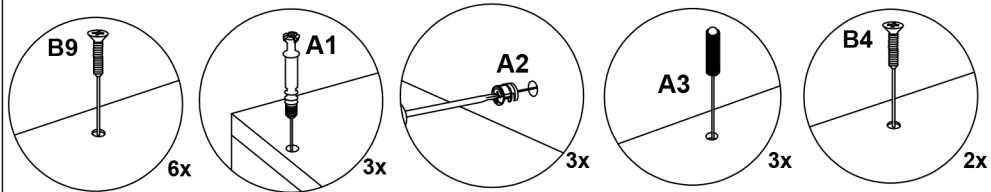
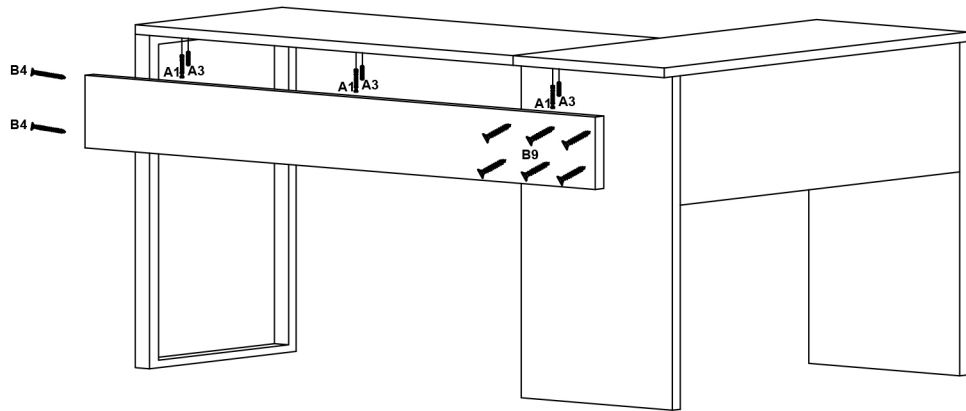
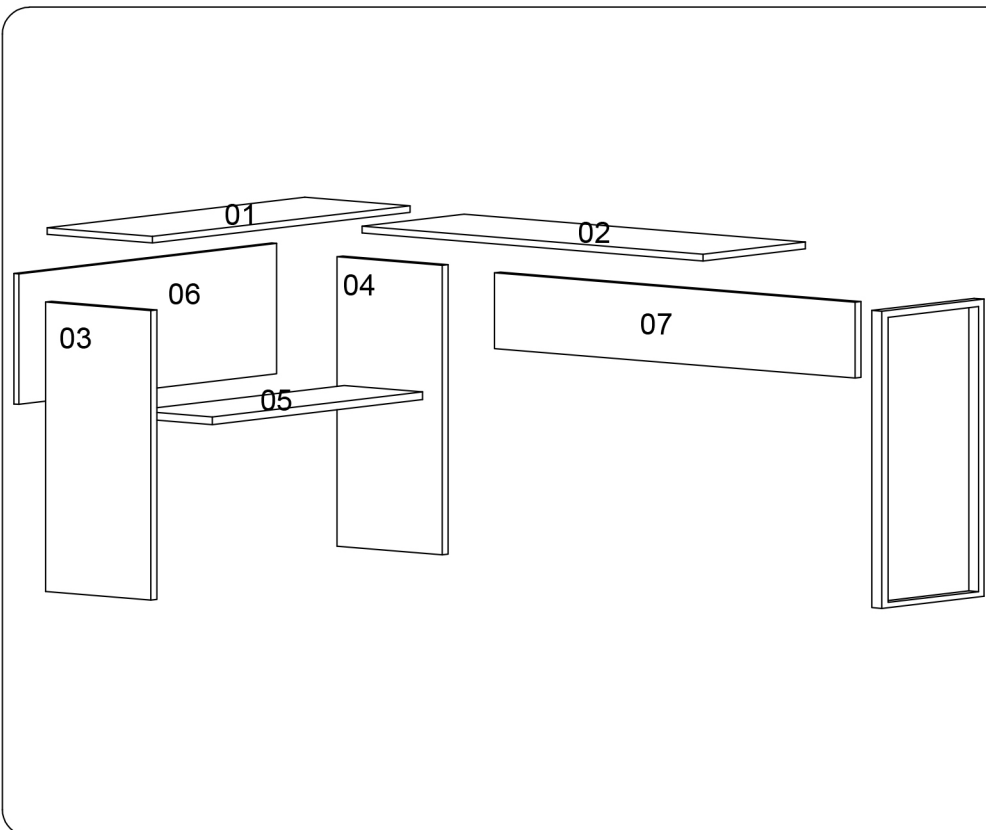


4



5





01	1000x500x18 mm	x1	04	720x500x18 mm	x1	07	1460x200x18 mm	x1
02	1000x500x18 mm	x1	05	946x350x18 mm	x1			
03	720x500x18 mm	x1	06	946x350x18 mm	x1			

A1	A2	A3	B1 3,5x18	B4 3,5x50	B9 3,5x30	B15 3,5x35	F1
15x	15x	15x	4x	2x	6x	2x	2x

max
30 min
[Icons: screwdriver, hammer, ruler, two people]

