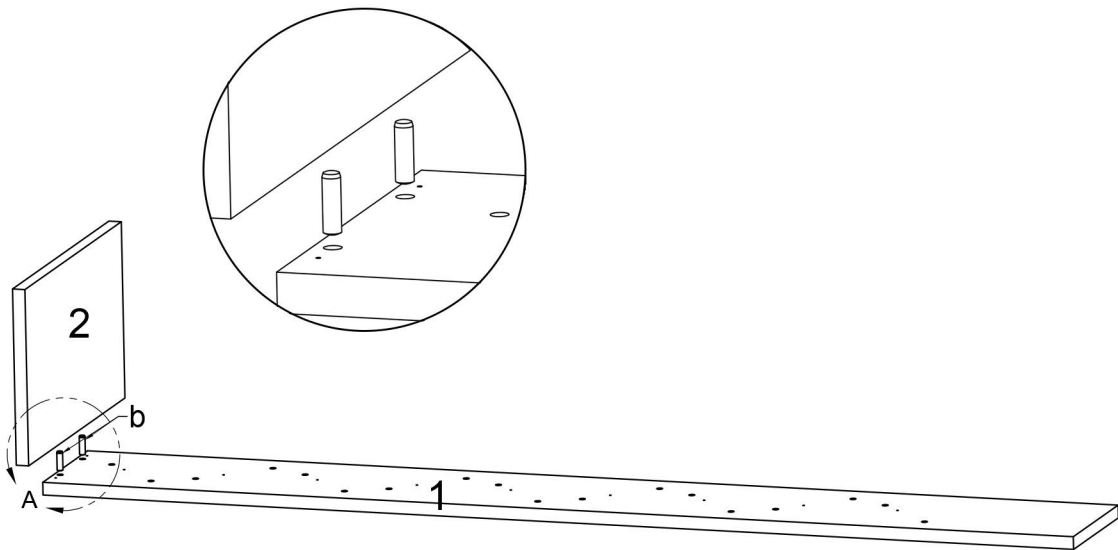
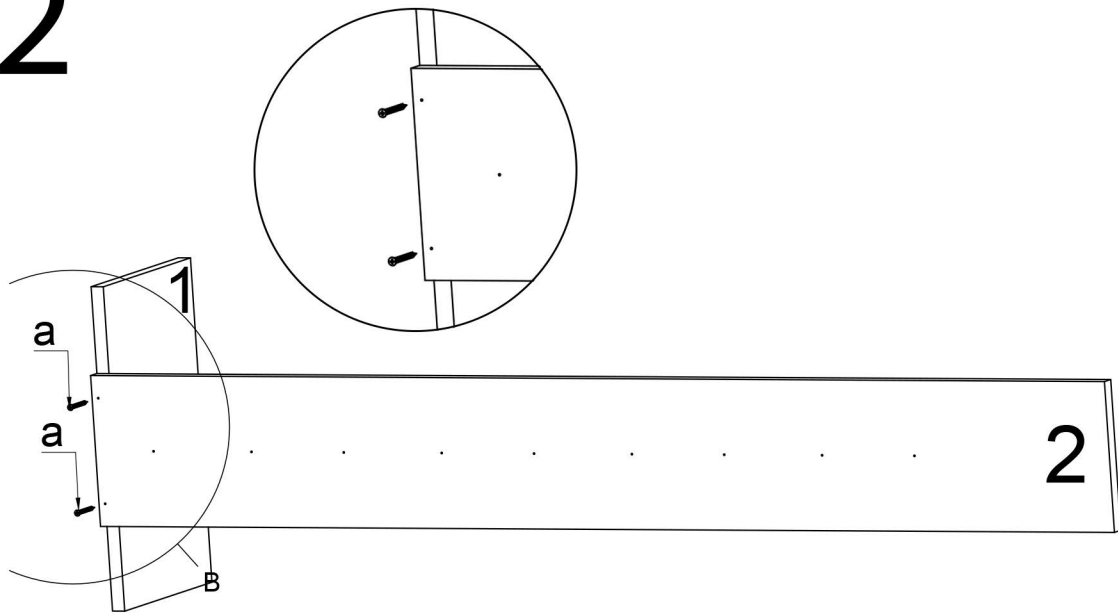


NO	MM	X
1	1500x196x18	1
2	430x250x18	1
3	380x196x18	5
4	380x196x18	4

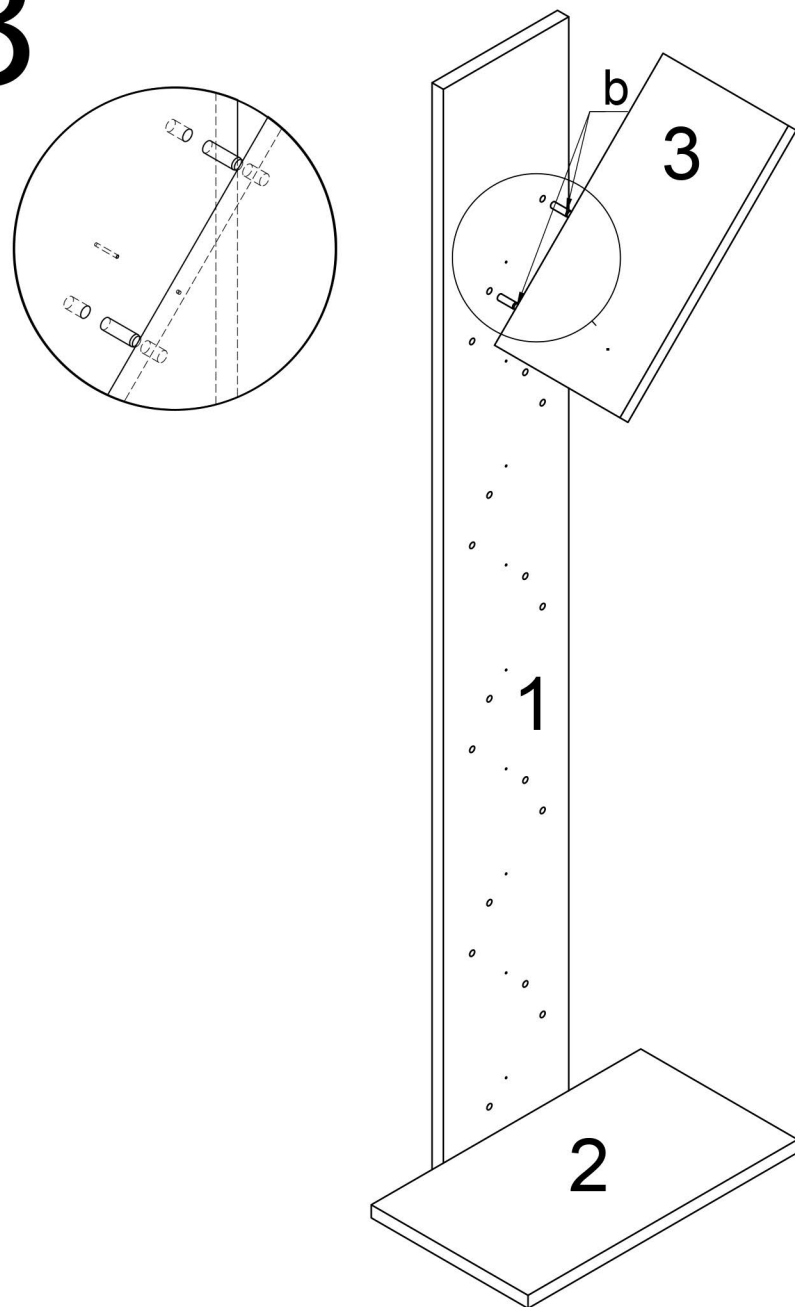
# 1



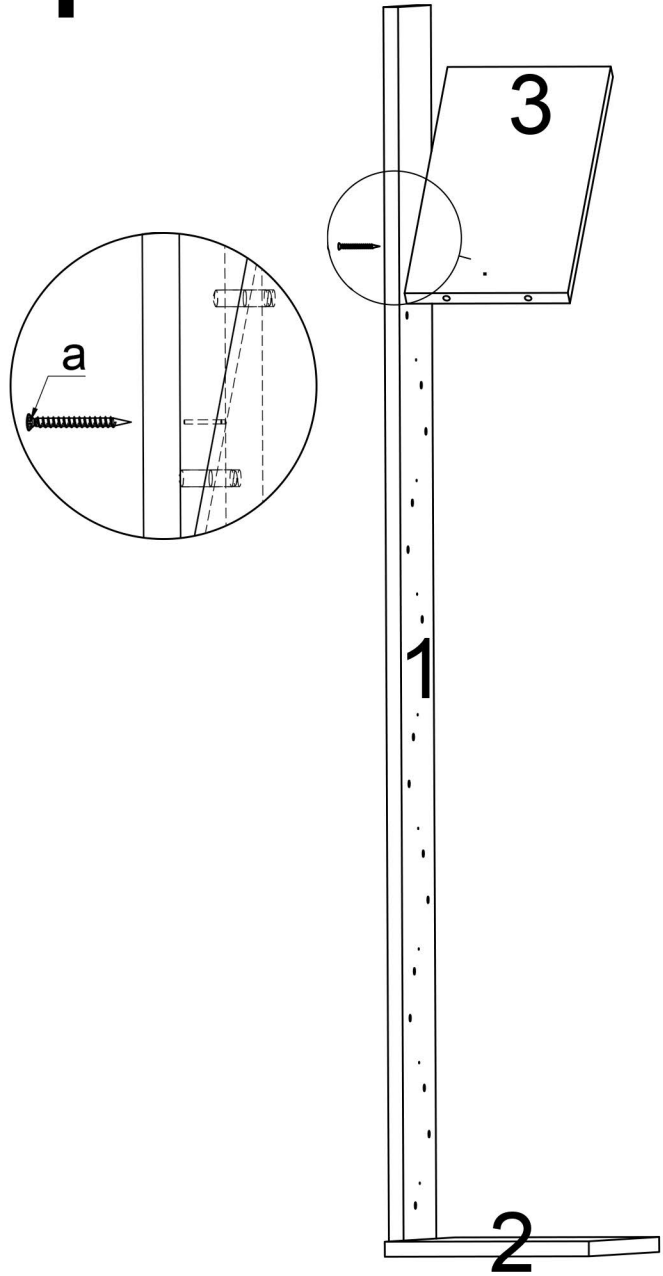
# 2



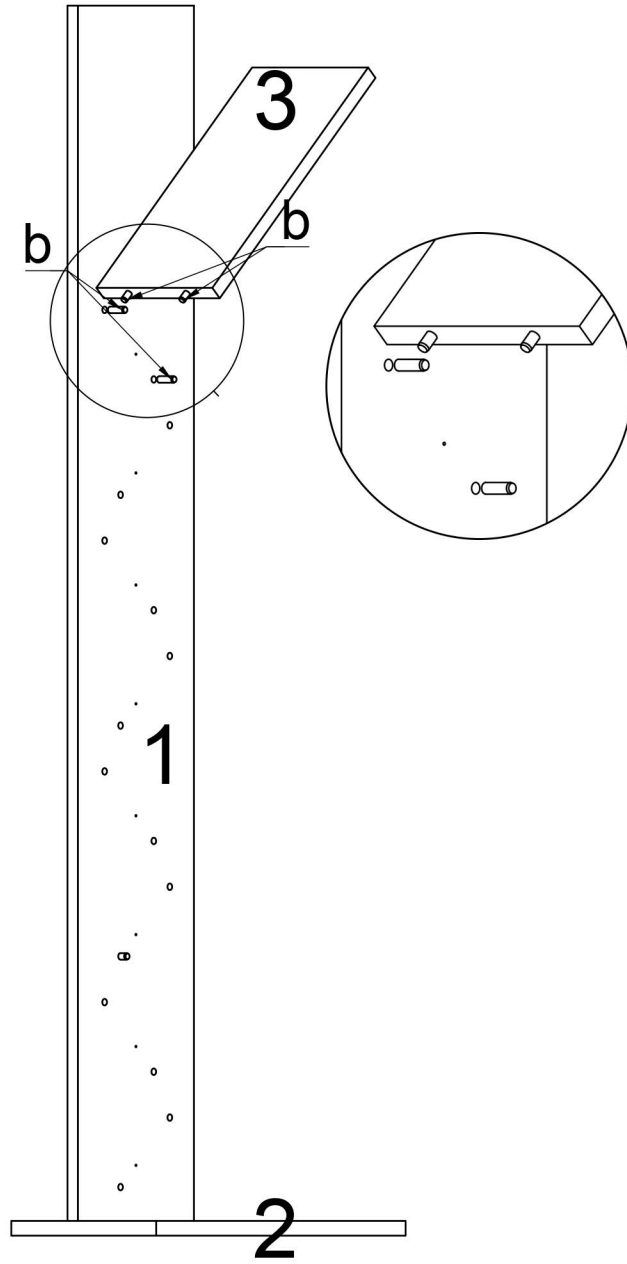
# 3



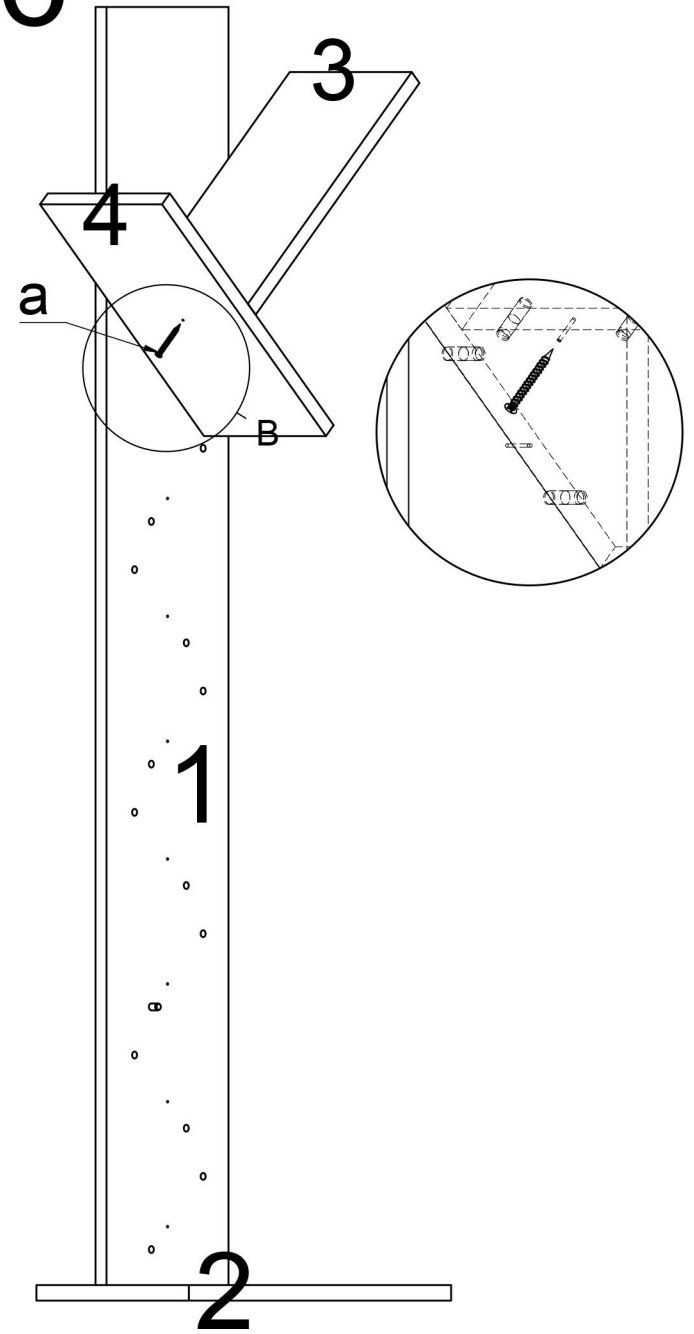
# 4



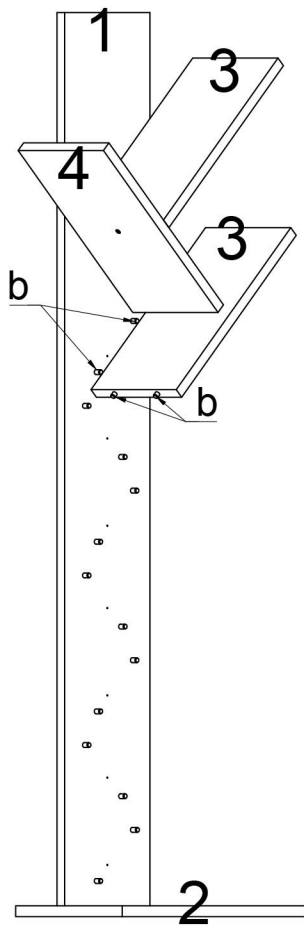
# 5



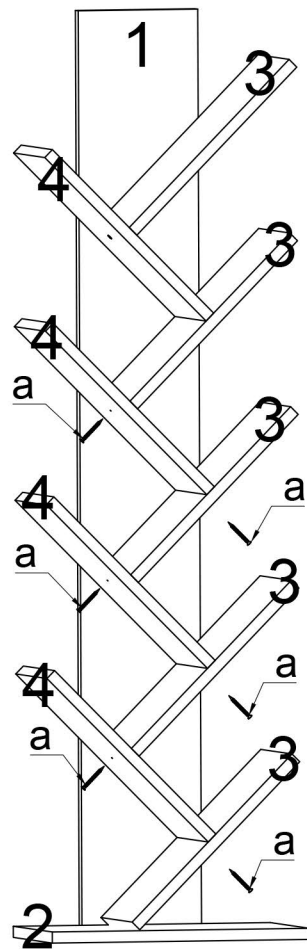
# 6



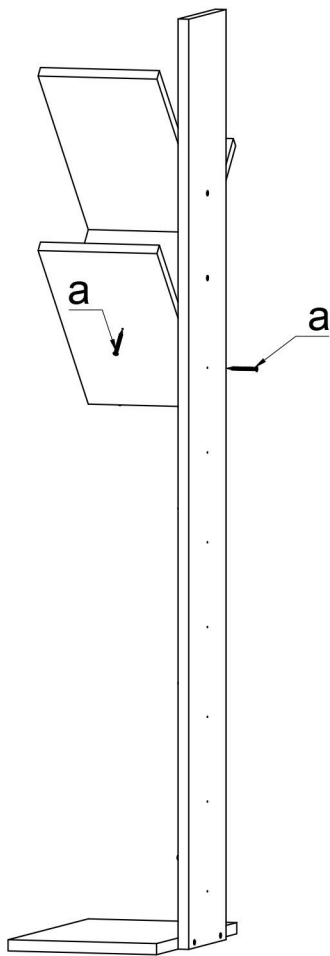
7



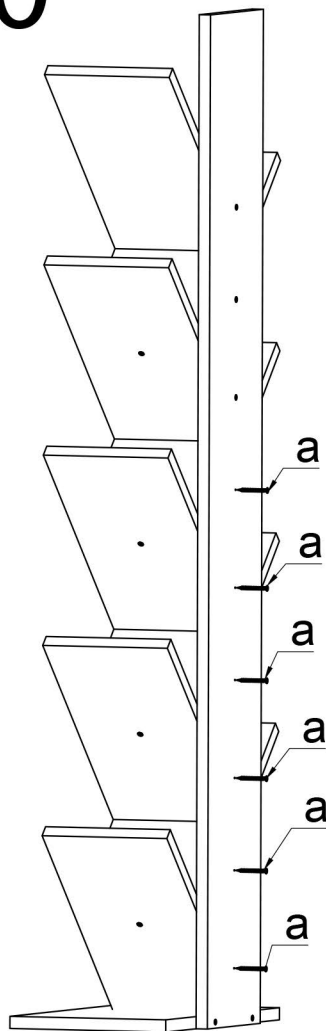
8



9



10



11

