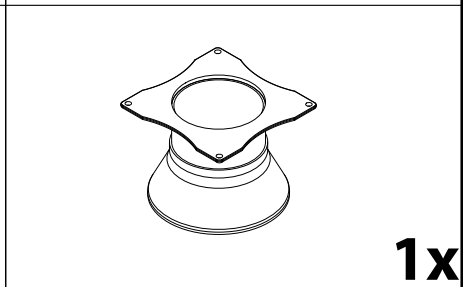
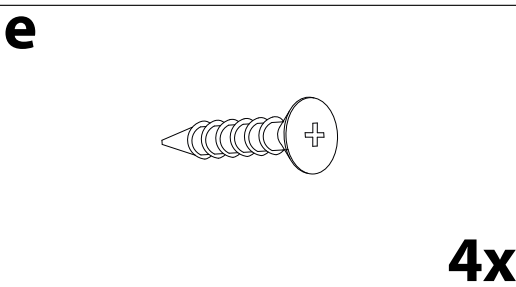
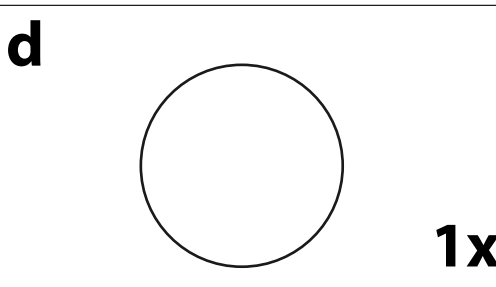
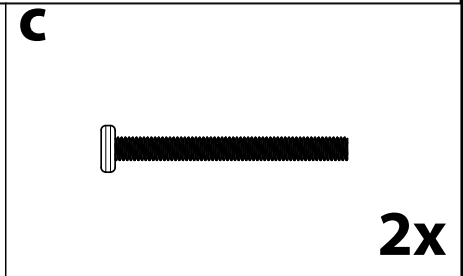
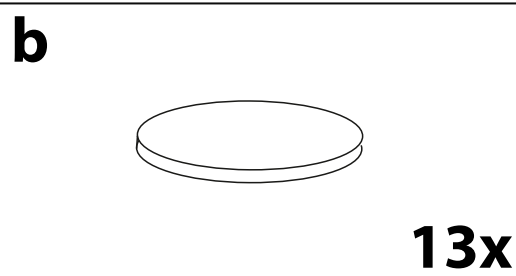
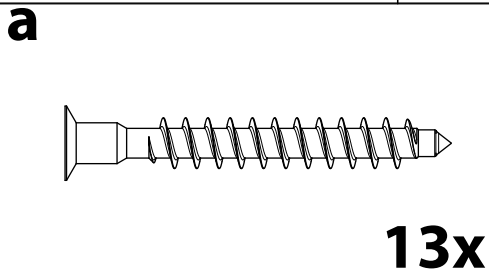
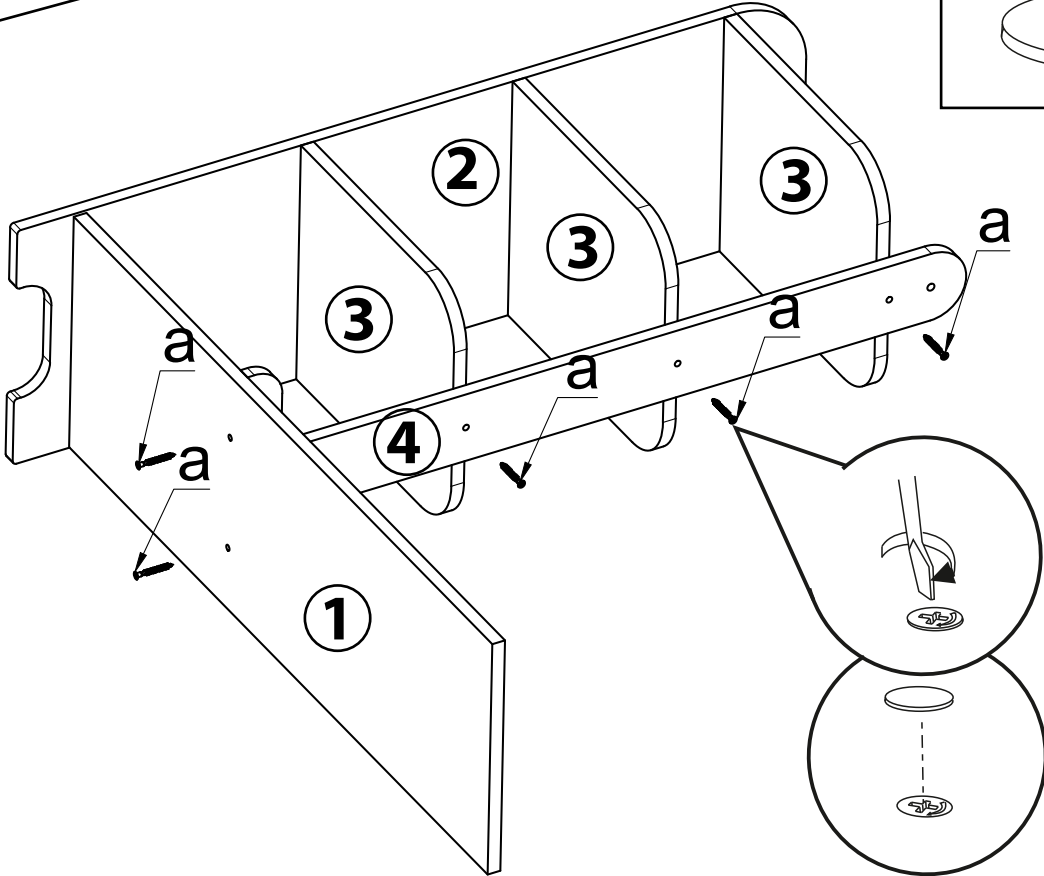
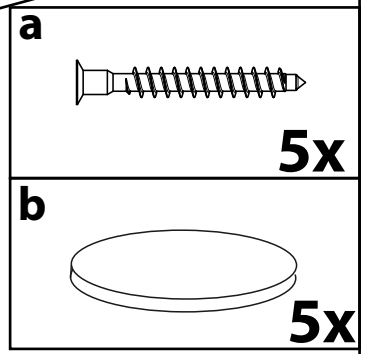
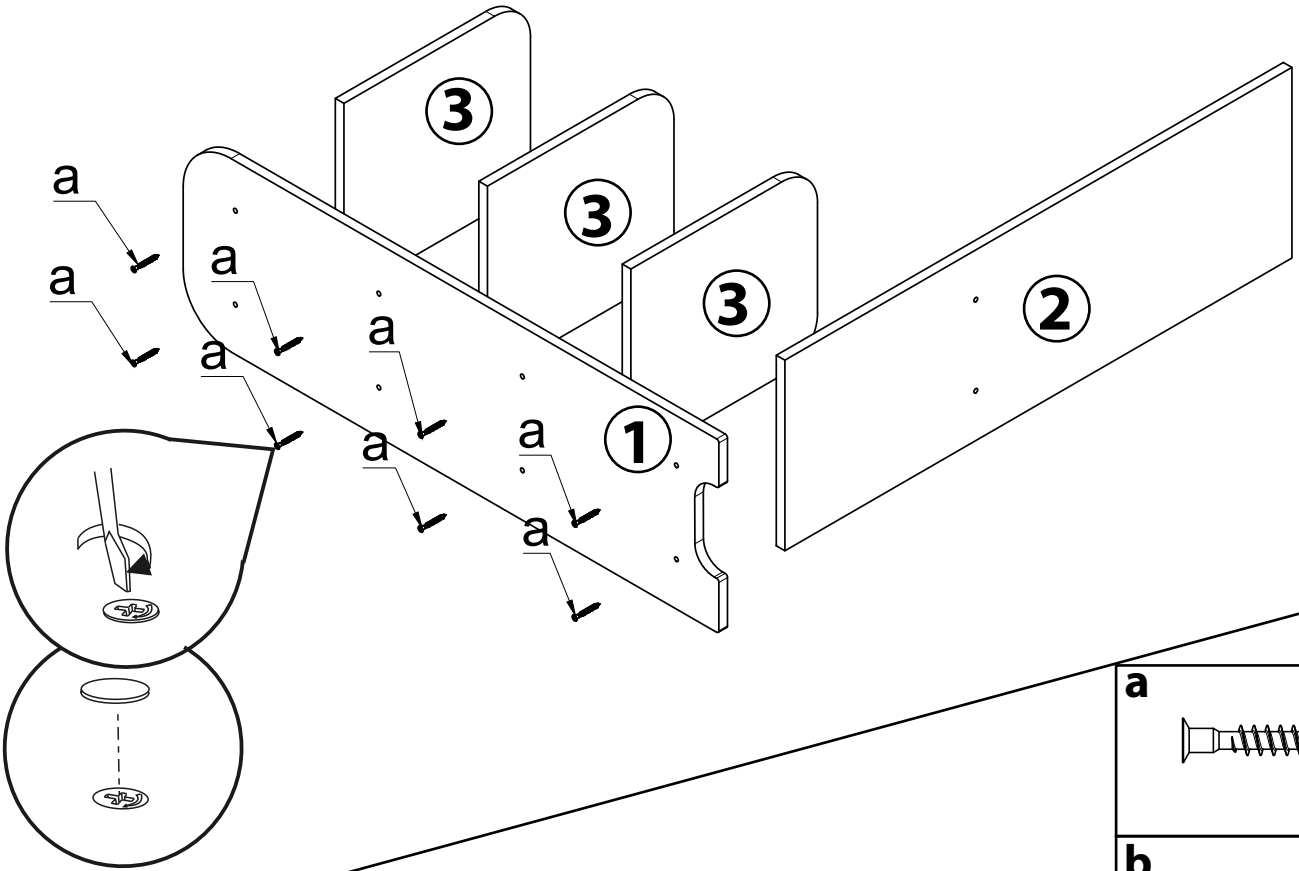
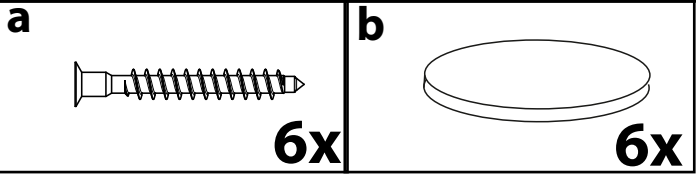
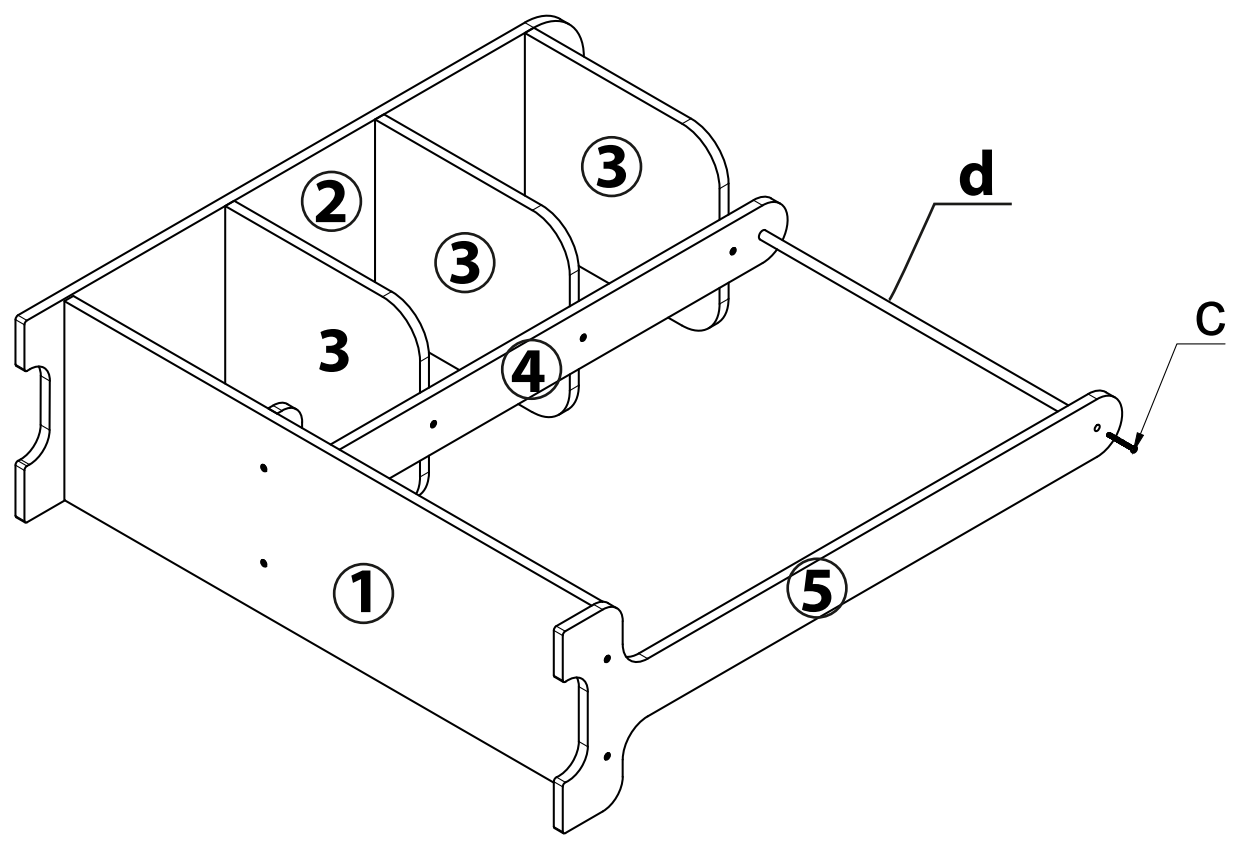
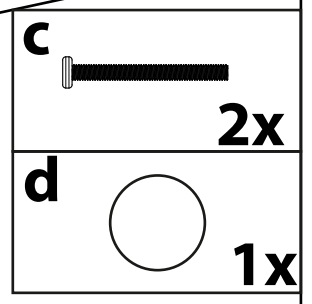
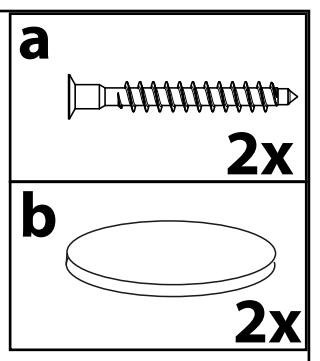
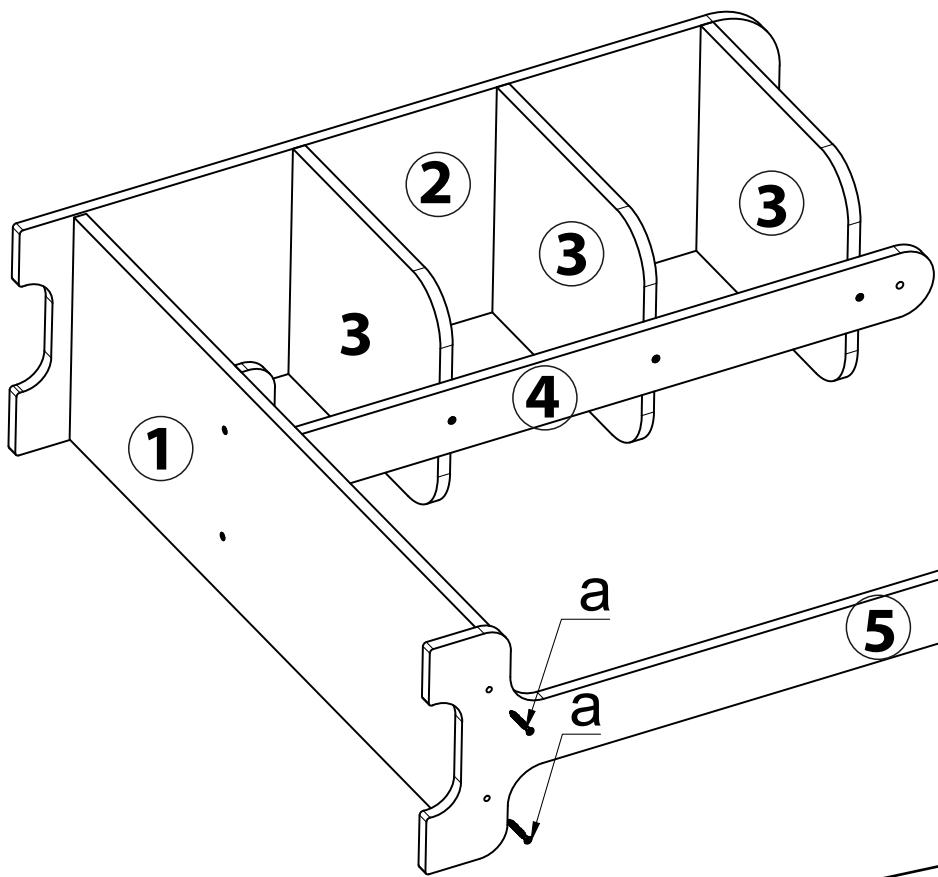


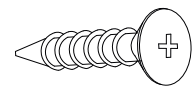
| no | mm | x |
|-----------|--------------------|----------|
| 1 | 1020x350x18 | 1 |
| 2 | 1100x350x18 | 1 |
| 3 | 350x350x18 | 3 |
| 4 | 1020x350x18 | 1 |
| 5 | 1100x350x18 | 1 |







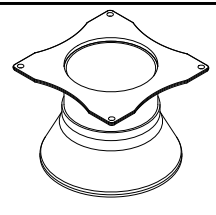
e



3,5x18

4x

f



1x

