





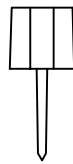

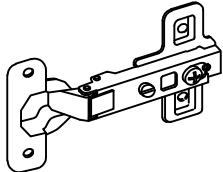
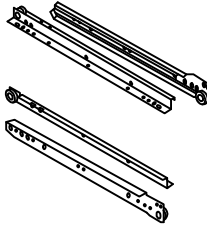
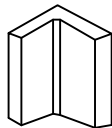
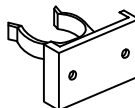
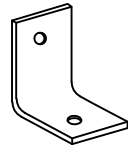


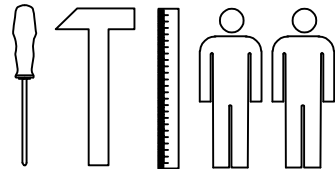
01	720x550x18 mm	x2	11	303x100x18 mm	x2
02	720x550x18 mm	x2	12	338x500x3 mm	x1
03	720x550x18 mm	x2	13	1640x140x18 mm	x1
04	804x450x18 mm	x1	14	177x397x18 mm	x1
05	364x80x18 mm	x4	15	537x397x18 mm	x1
06	804x80x18 mm	x3	16	717x417x18 mm	x2
07	364x500x18 mm	x1	17	717x397x18 mm	x1
08	364x550x18 mm	x2	18	1810x600x28 mm	x2
09	870x570x80 mm	x4	19	870x400x18 mm	x2
10	503x100x18 mm	x2	20	870x840x18 mm	x1

B1	B2	B3	B4	B6	B9	C1
3,5x18	3,5x25	4x22	3,5x50	3,5x40	3,5x30	
						
56x	36x	10x	60x	6x	19x	4x

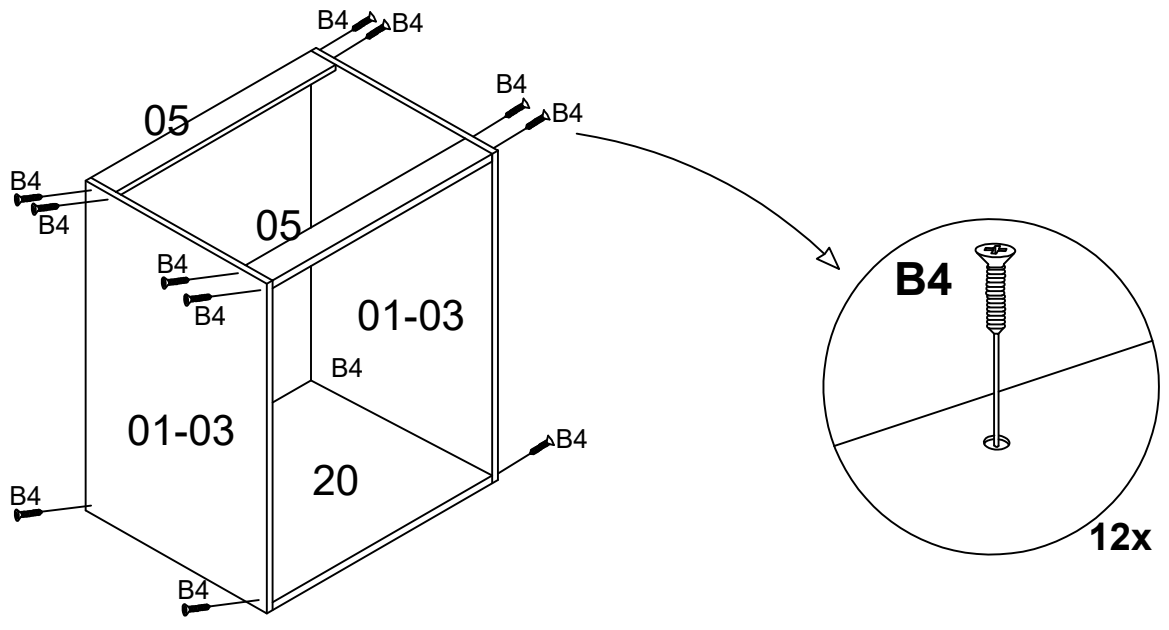
D1	E1	E3	F2	F5	F6
					
10x	8x	1x	2x	2x	2x

max

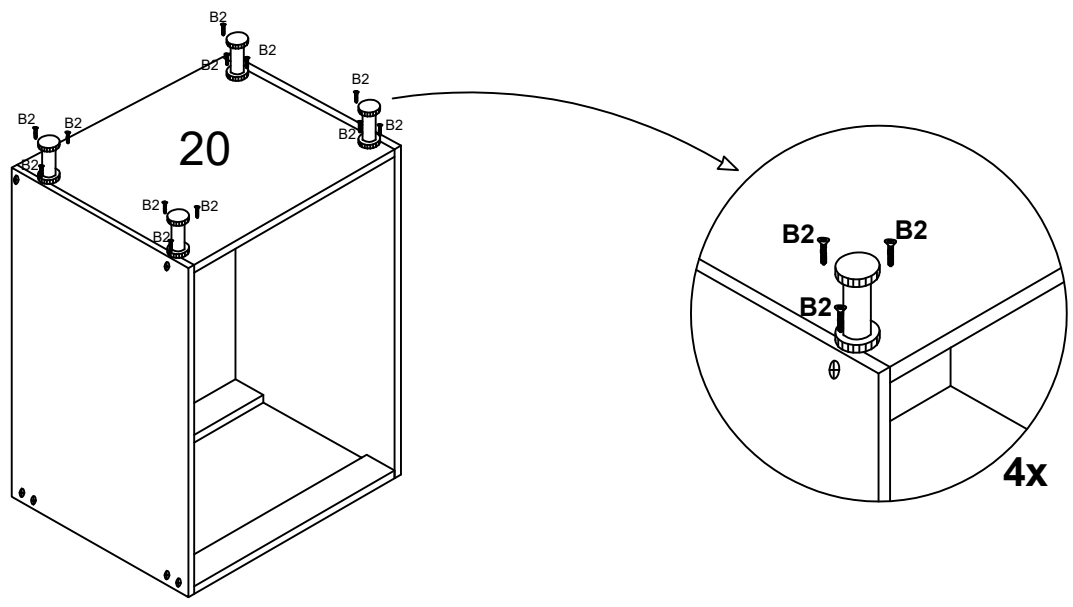
6 h



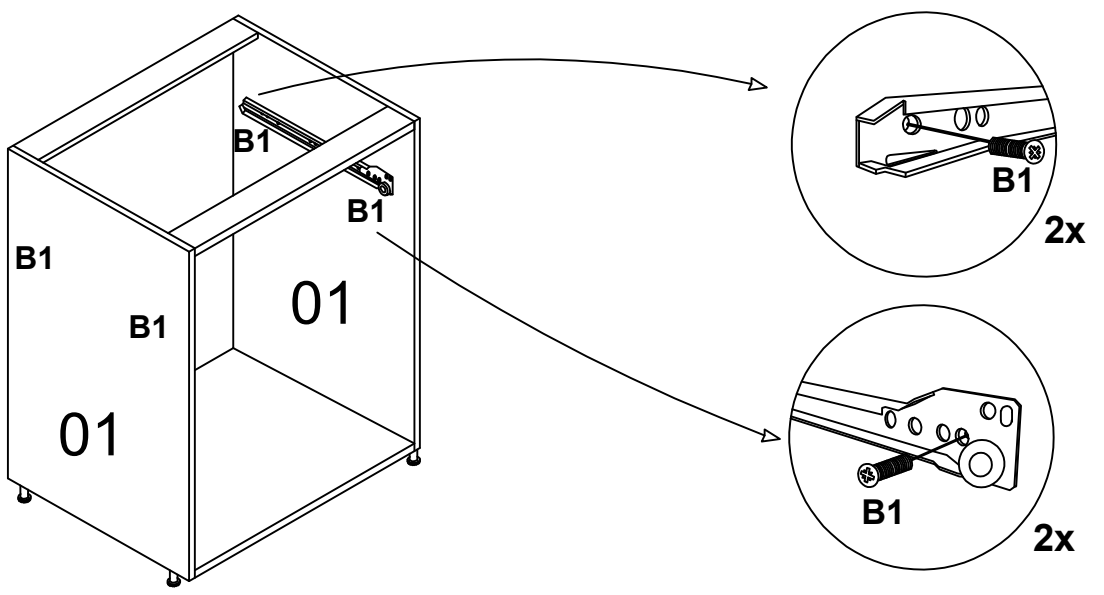

1



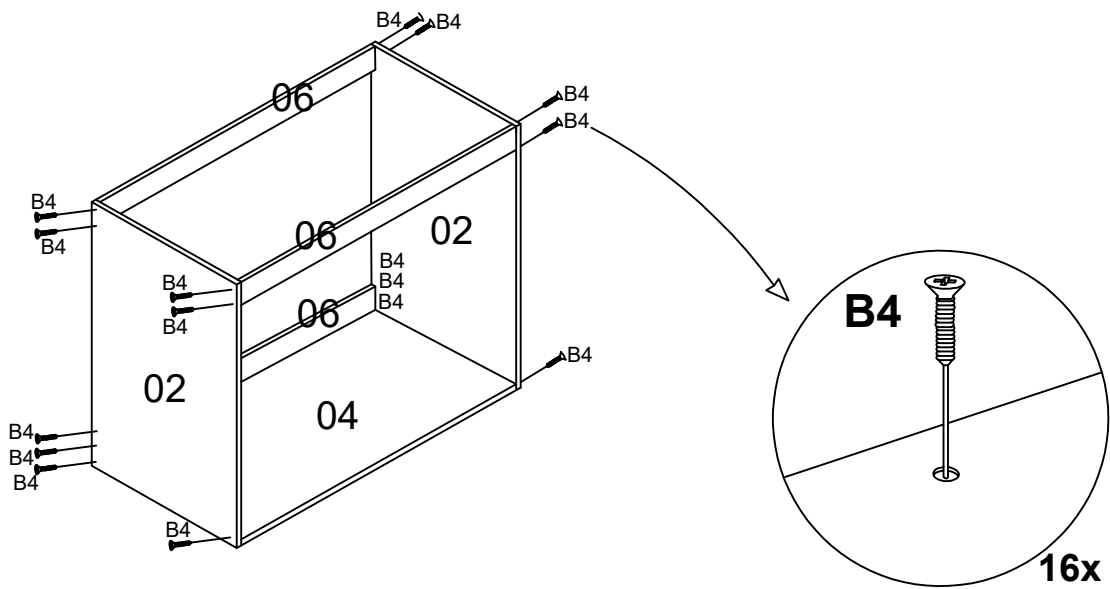
2



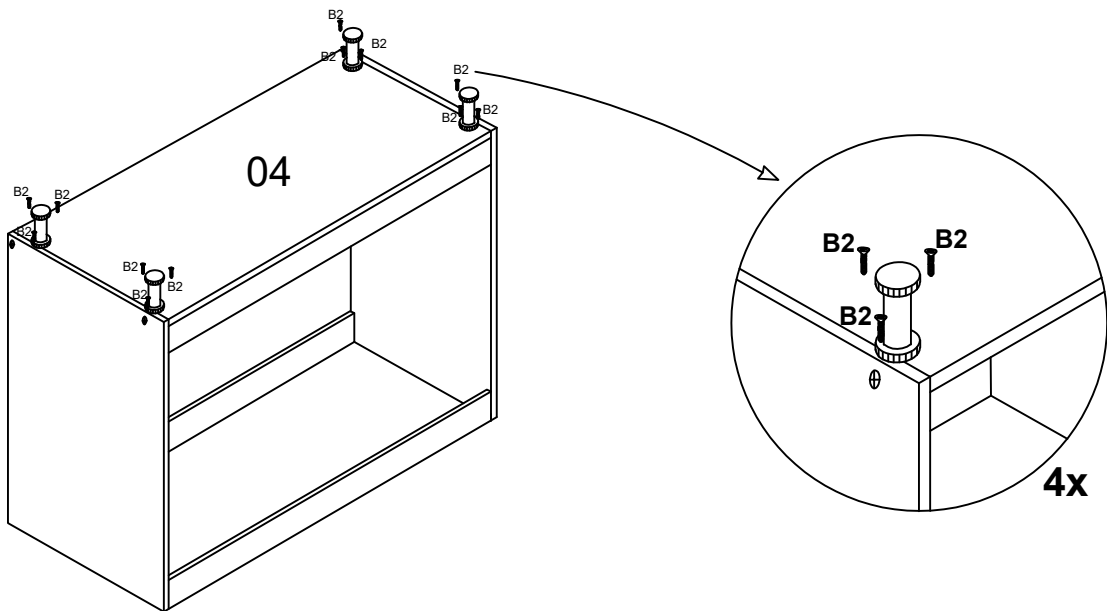
3



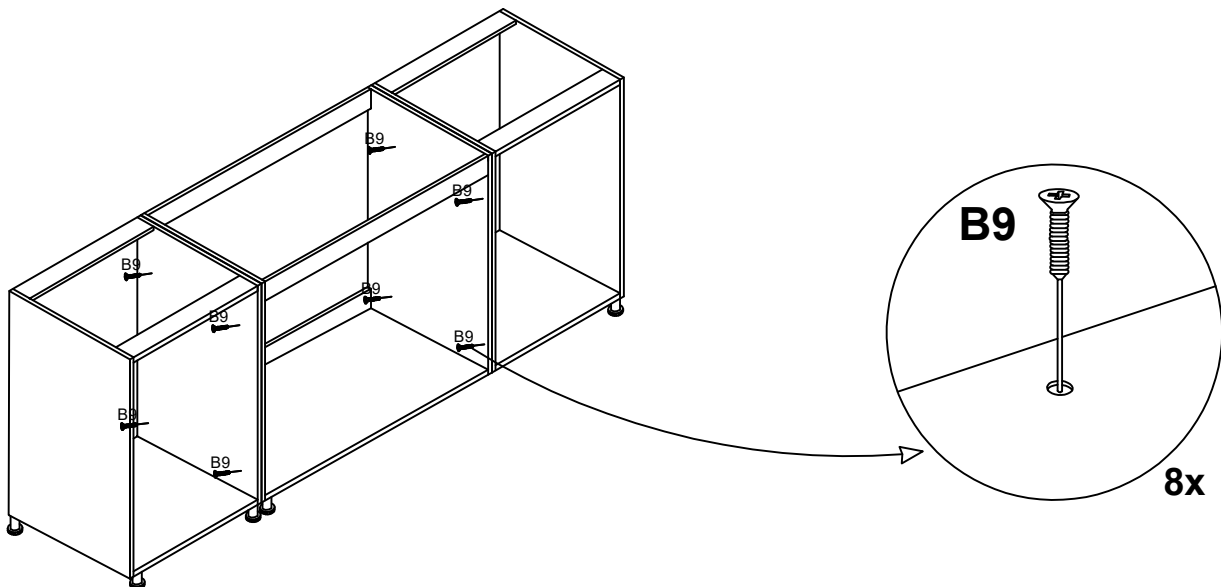
4



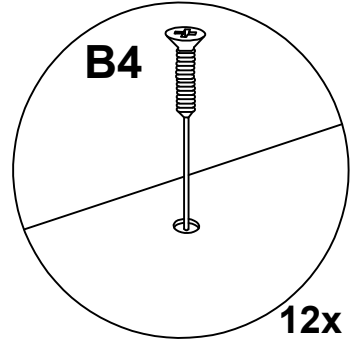
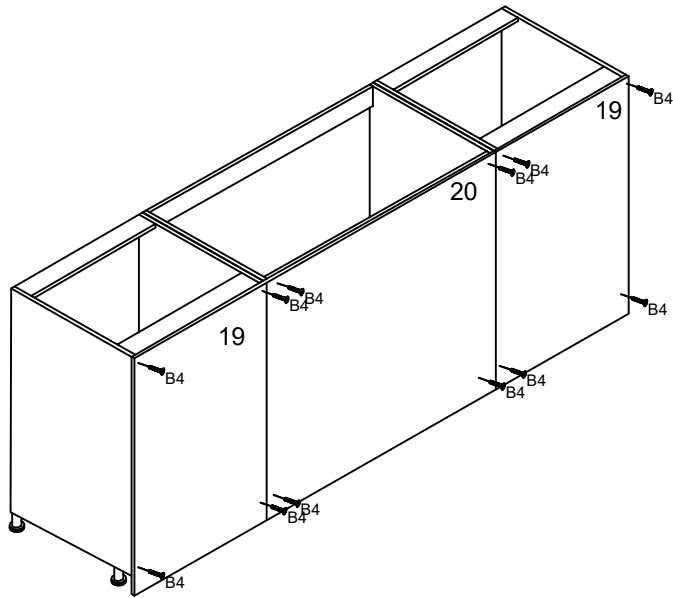
5



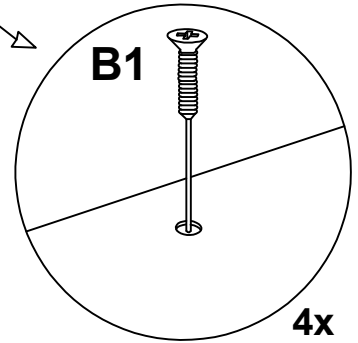
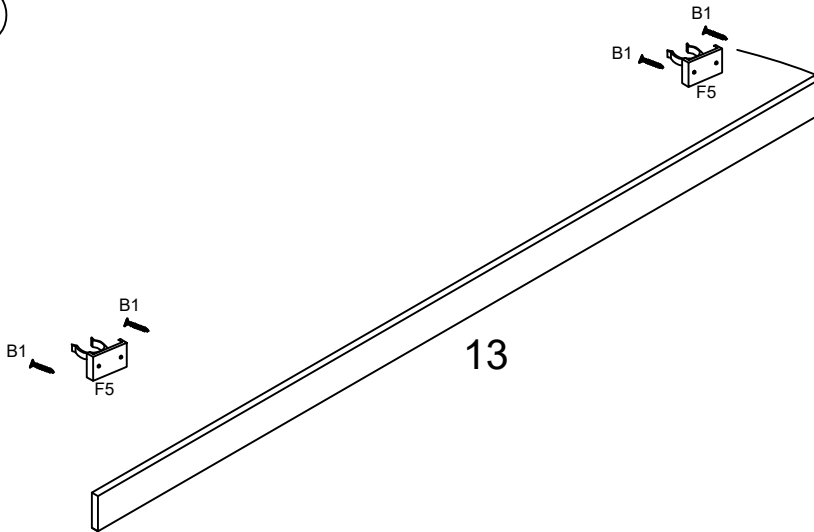
6



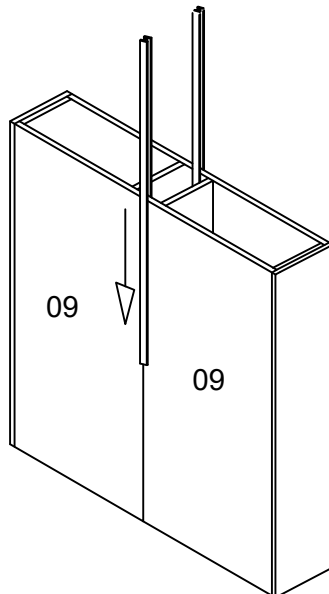
7



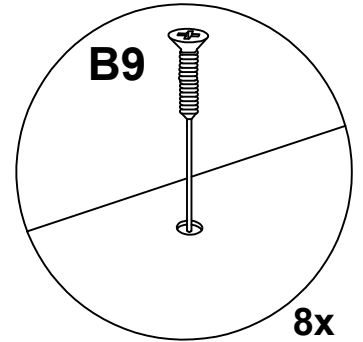
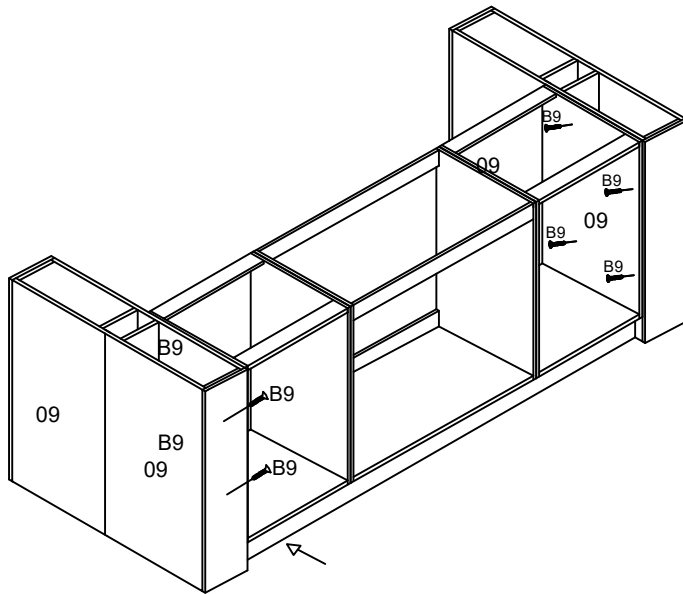
8



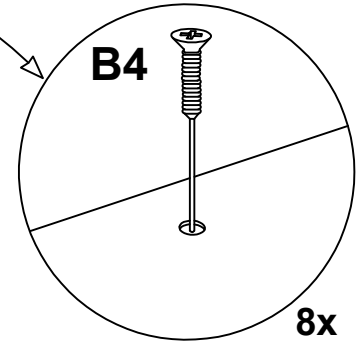
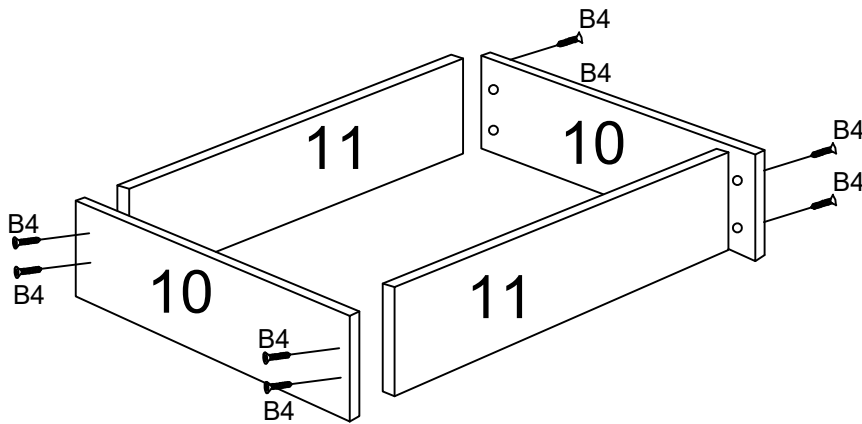
9



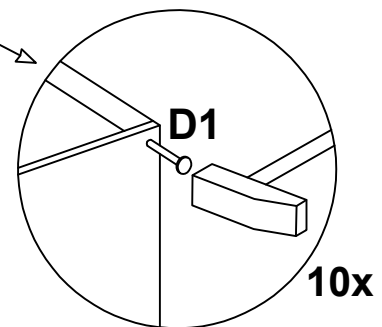
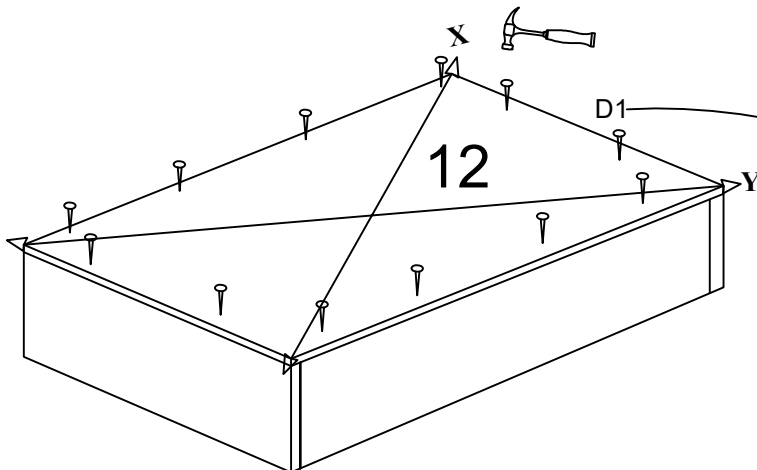
10



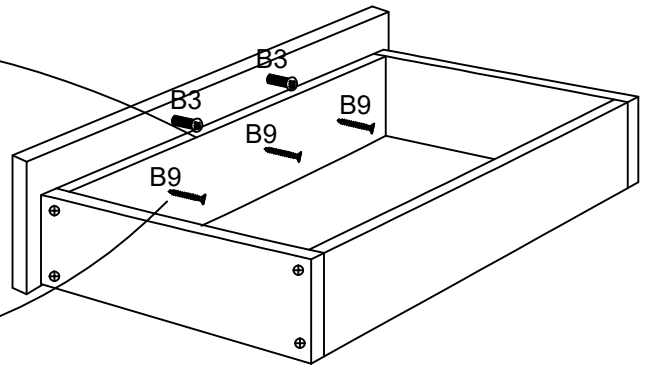
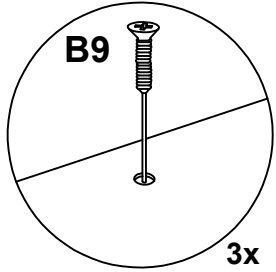
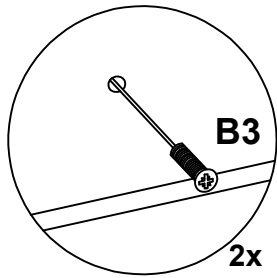
11



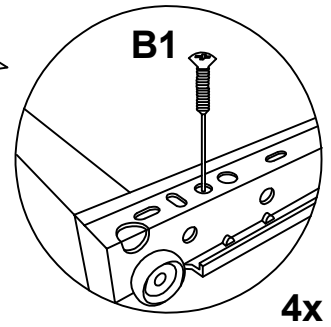
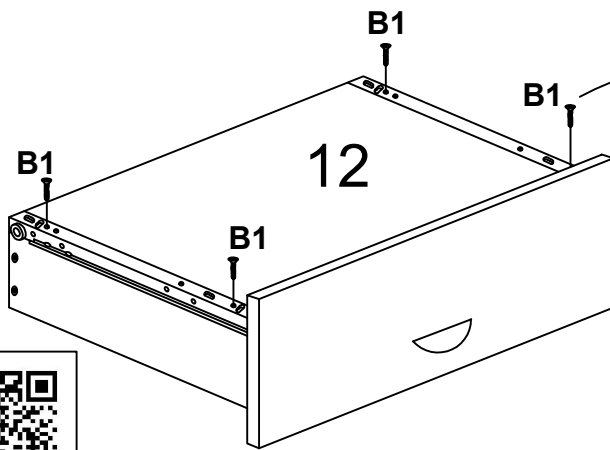
12



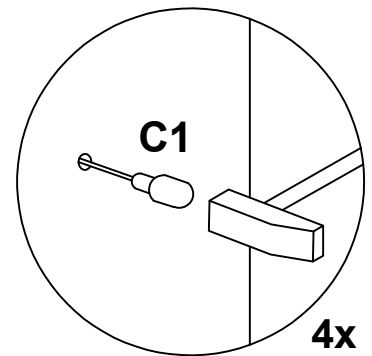
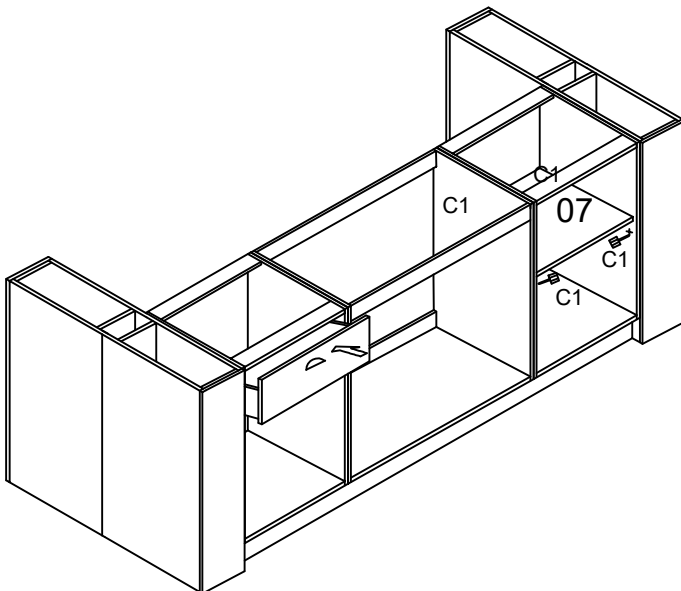
13



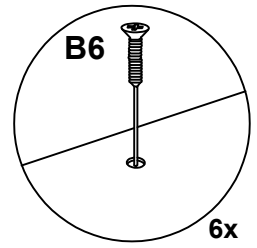
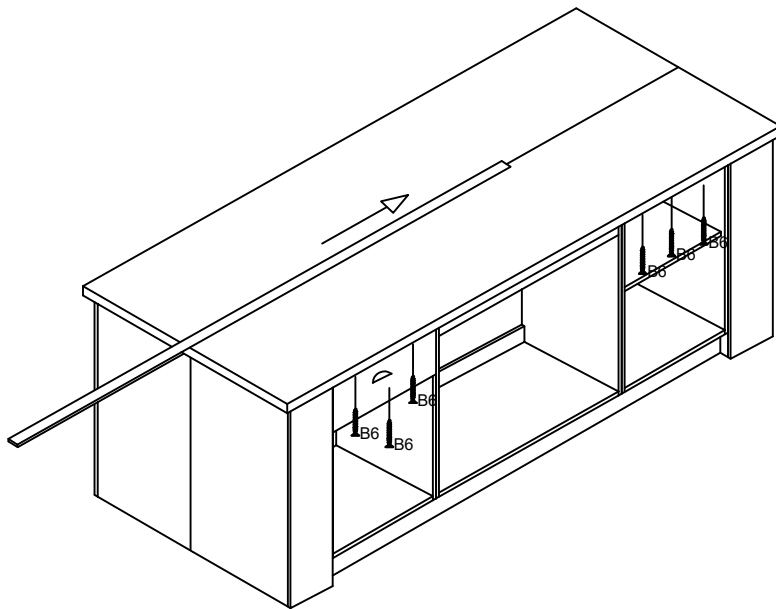
14



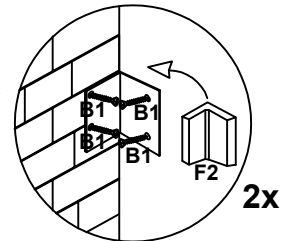
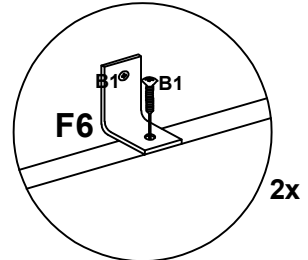
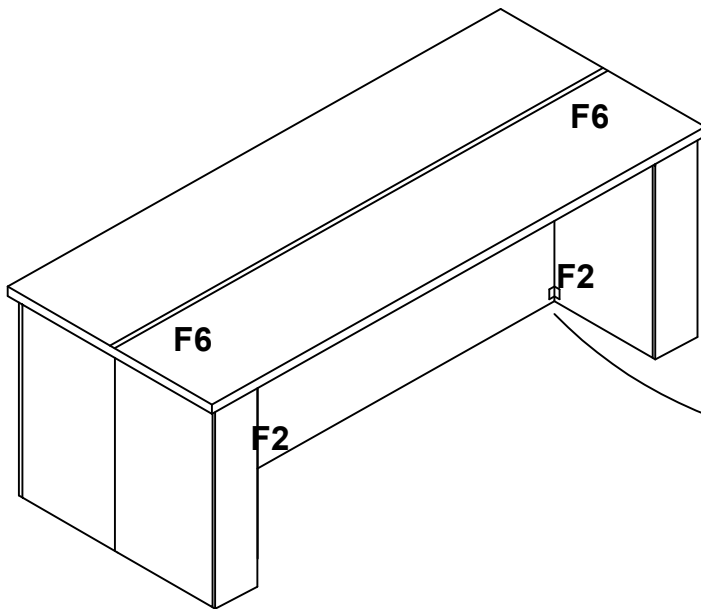
15



16



17



18

