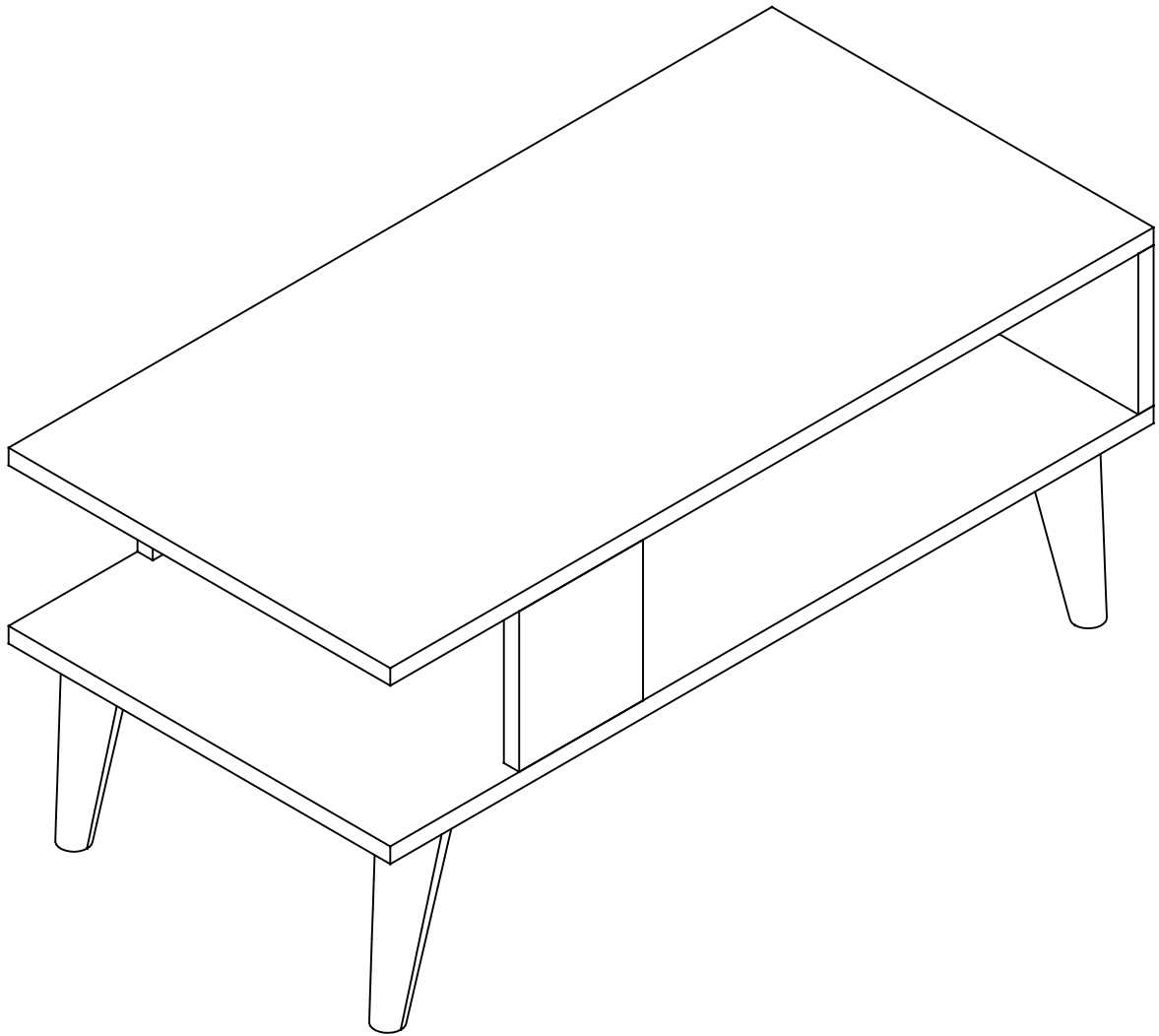


# AYCA COFFEE TABLE

## AYCA ORTA SEHPA

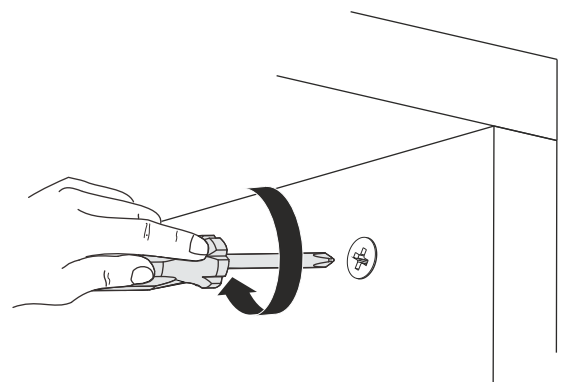
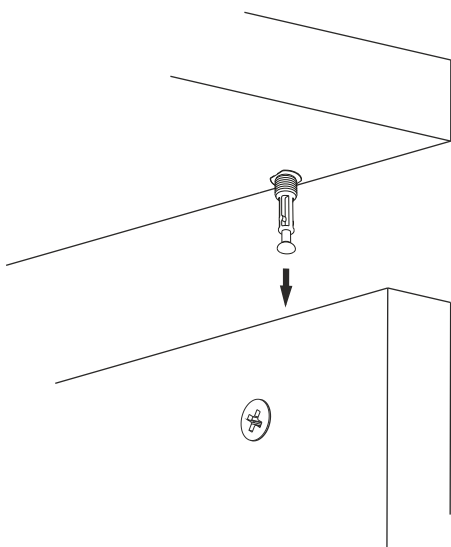
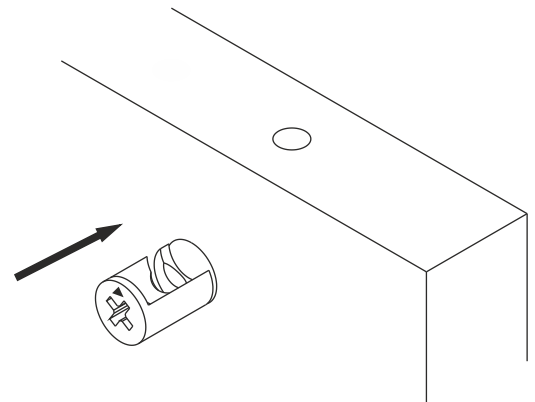
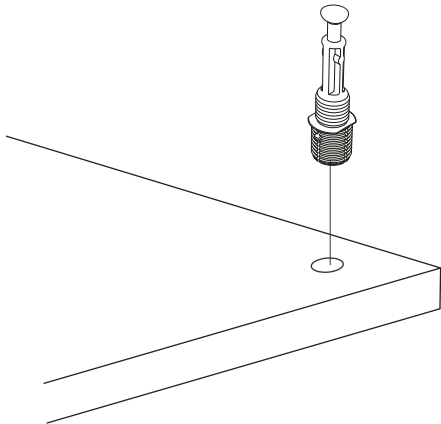
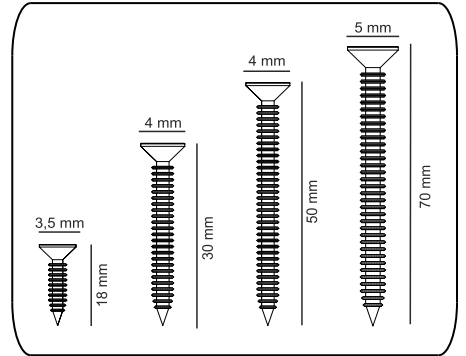
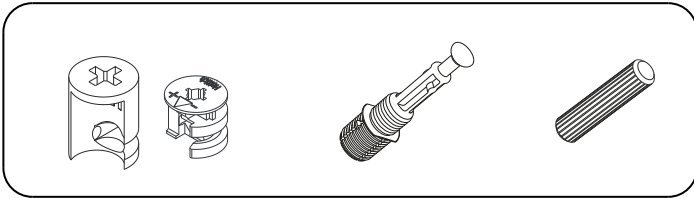
---

SHP2008

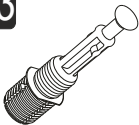

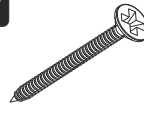

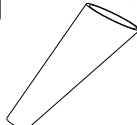



# ATTENTION !!

Minifix is the main connection material used in products. Before starting assembly, please check the drawings below.

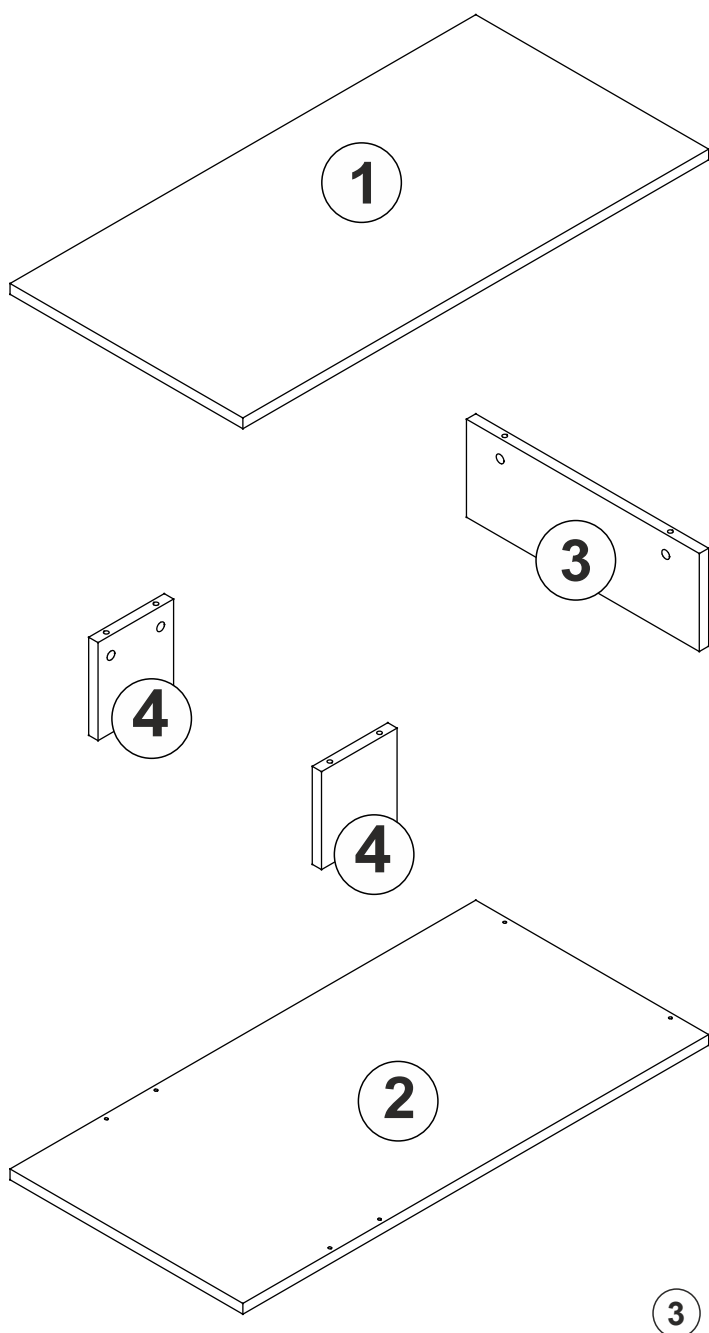


# ACCESSORY LIST

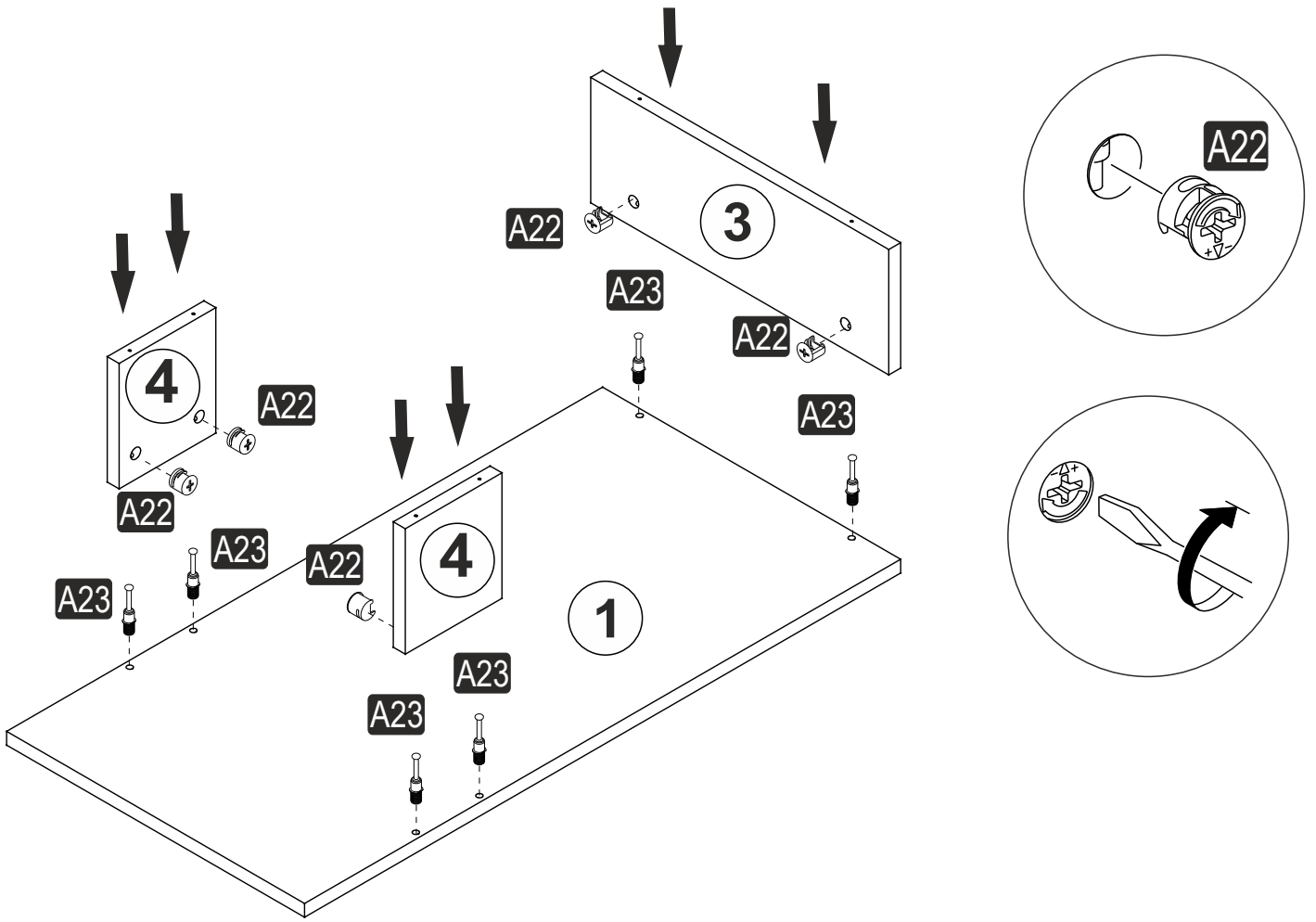
<b>A23</b> Minifix M8  8x34 <b>6x</b>	<b>A22</b> Minifix G18  15x14 <b>6x</b>	<b>A17</b> 4x50  <b>6x</b>	<b>A06</b> 18 mm  BYZ <b>6x</b>	<b>V01</b> Retro ayak (20 cm)  <b>4x</b>
<b>A18</b> 3,5x18  <b>24x</b>				

## GENERAL VIEW

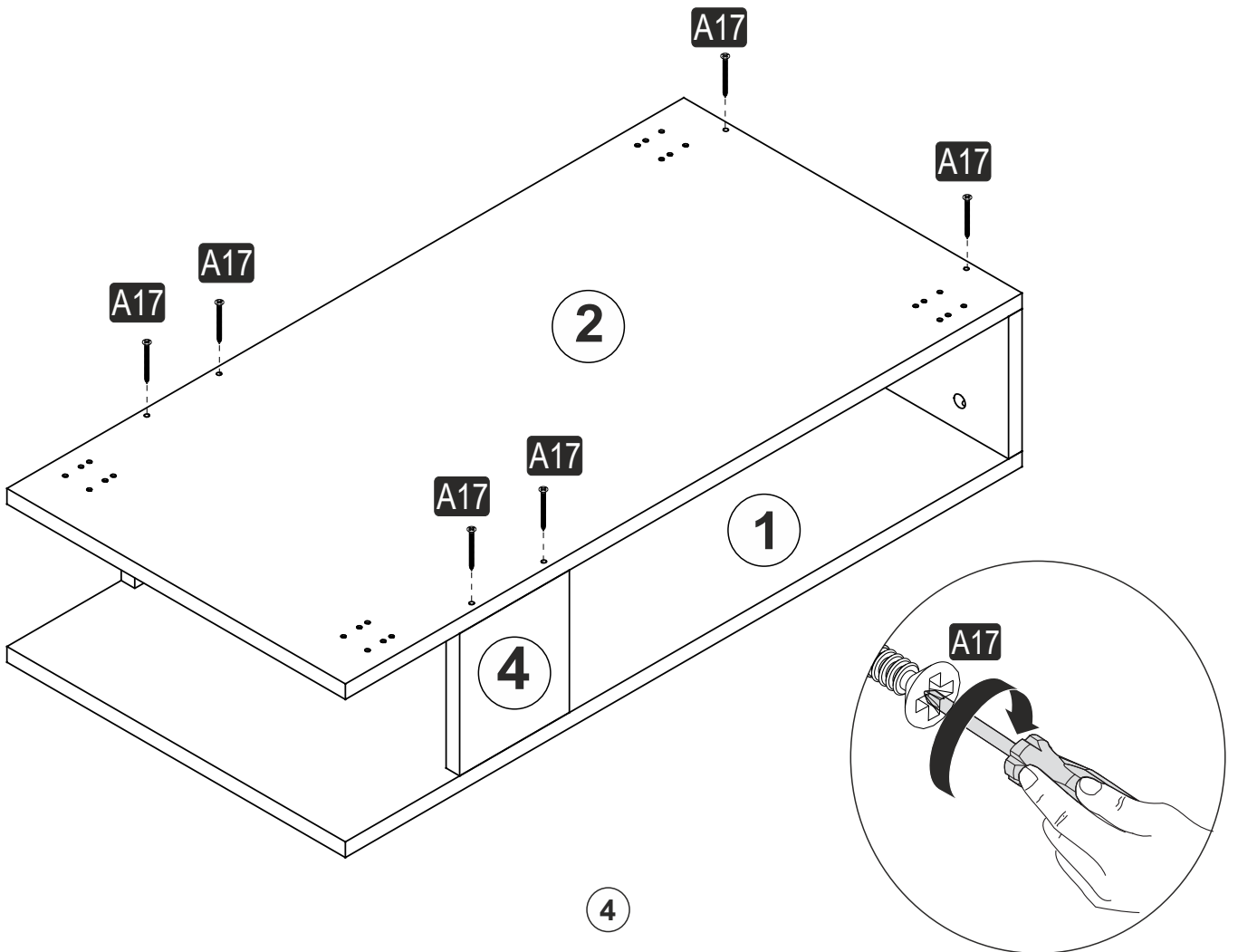
1017.01	1	900	450	18
1017.02	1	900	450	18
1017.03	1	164	450	18
1017.04	2	164	146	18



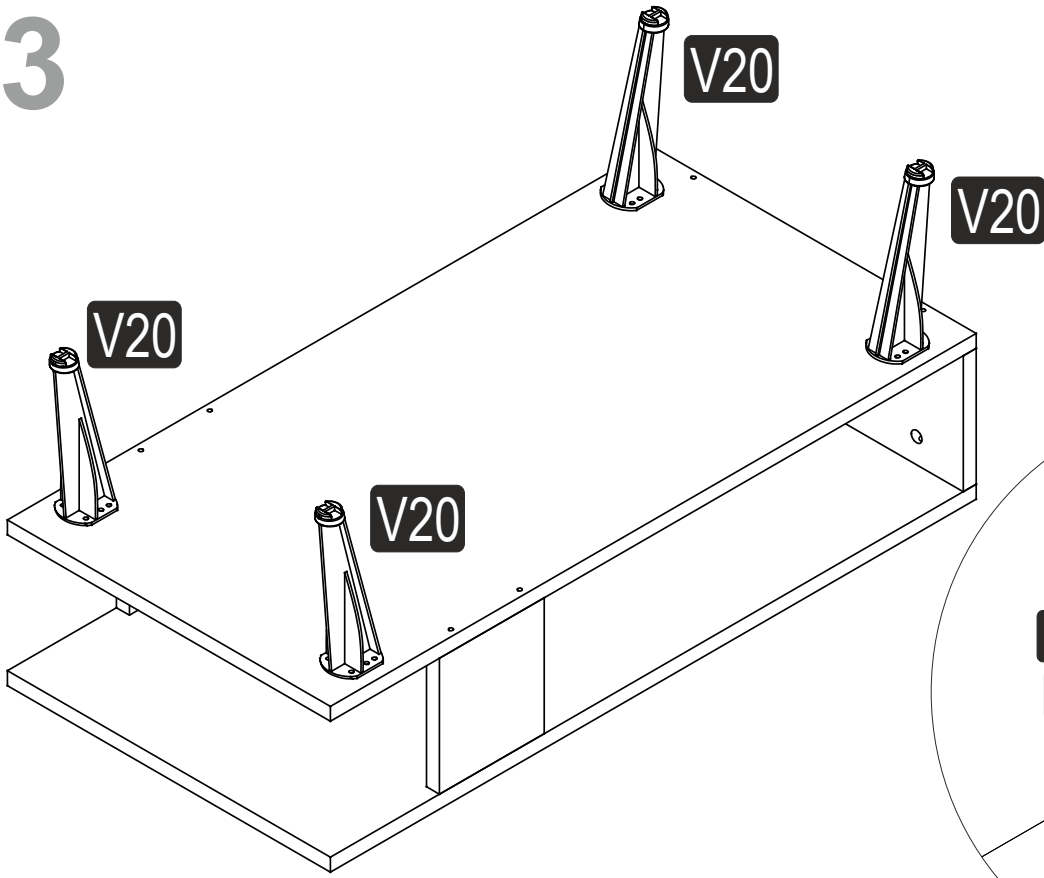
1



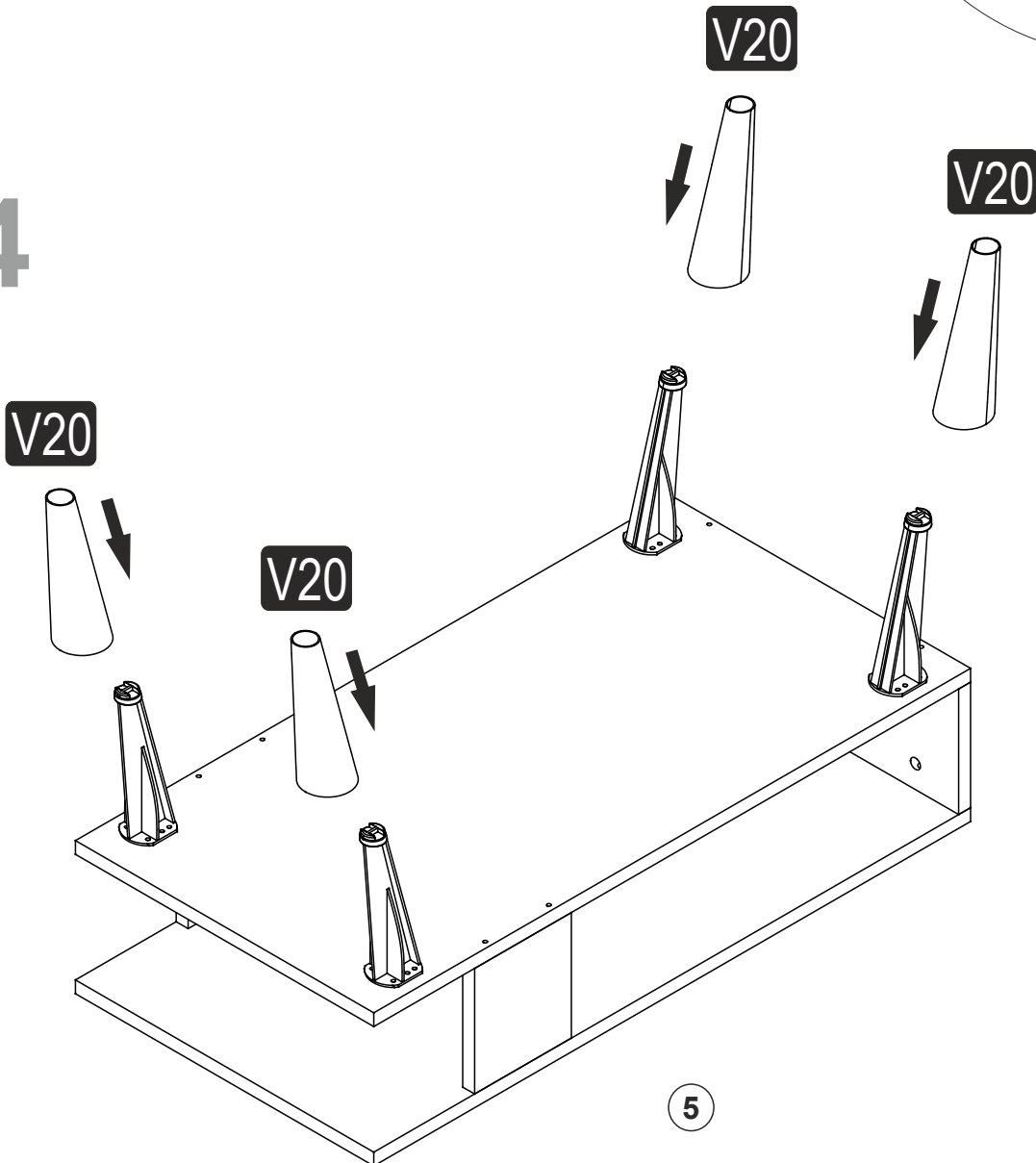
2



3



4



5

5

