



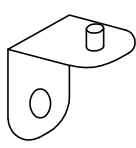
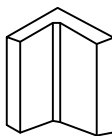
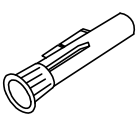
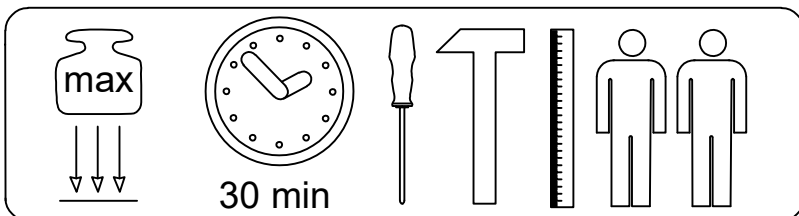
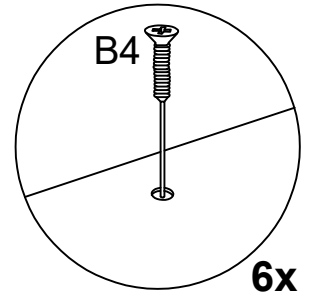
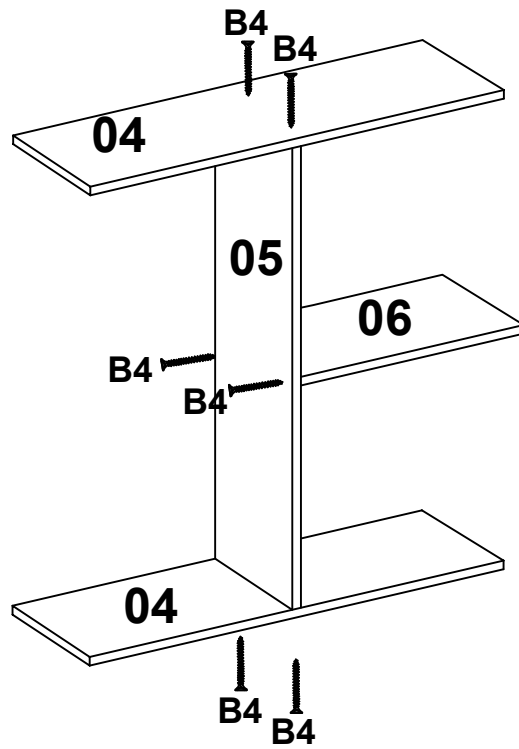


| | | | | | | | | |
|----|---------------|----|----|---------------|----|----|---------------|----|
| 01 | 980x15x15 mm | x2 | 04 | 618x298x18 mm | x2 | 07 | 300x300x80 mm | x2 |
| 02 | 980x15x15 mm | x2 | 05 | 670x298x18 mm | x1 | | | |
| 03 | 650x298x18 mm | x1 | 06 | 300x298x18 mm | x1 | | | |

| | | | | | | |
|--|--|---|---|--|--|--|
| B1 3,5x18  | B4 3,5x50  | B11 5x80  | B16 3,9x16  | C10  | F2  | F3  |
| 10x | 16x | 1x | 4x | 8x | 1x | 1x |



1



2

