

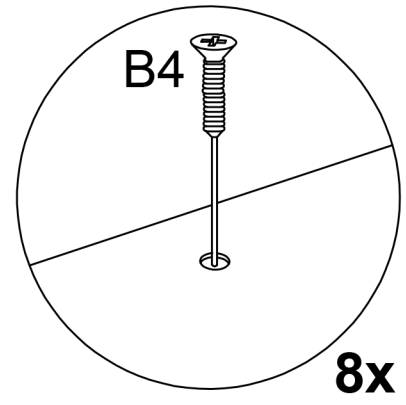
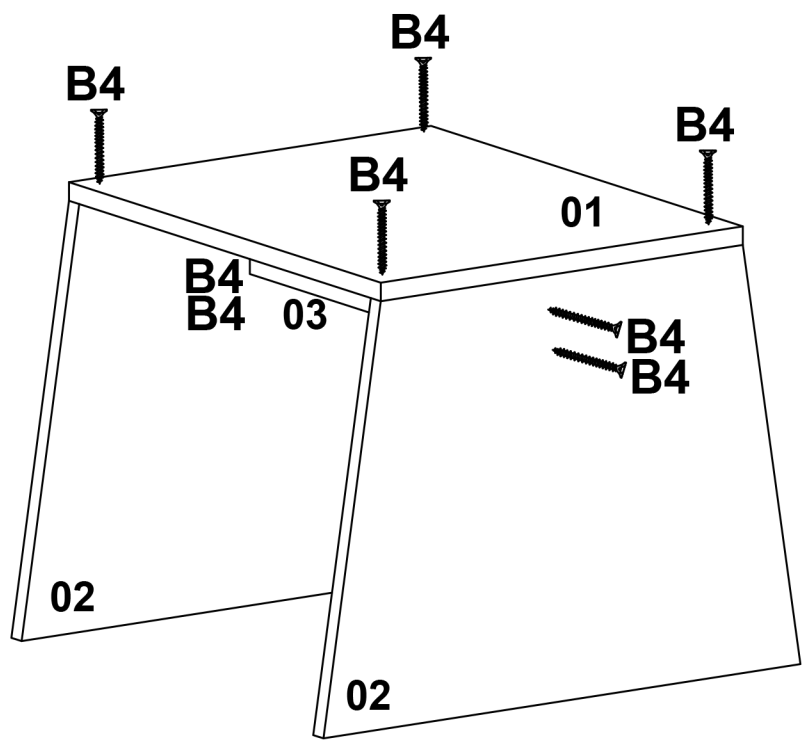
01	640x484x18 mm	x1	03	604x100x18 mm	x1	05	350x280x18 mm	x2
02	432x630x18 mm	x2	04	310x370x18 mm	x4	06	350x100x18 mm	x2

B4	B2	F1
3,5x50	3,5x25	
24x	24x	12x

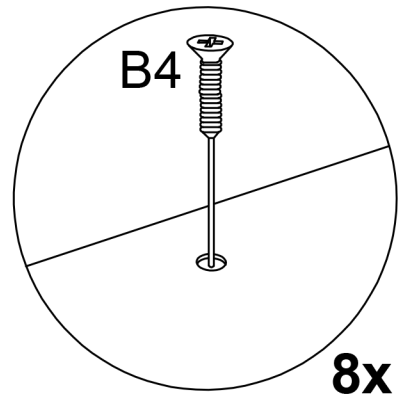
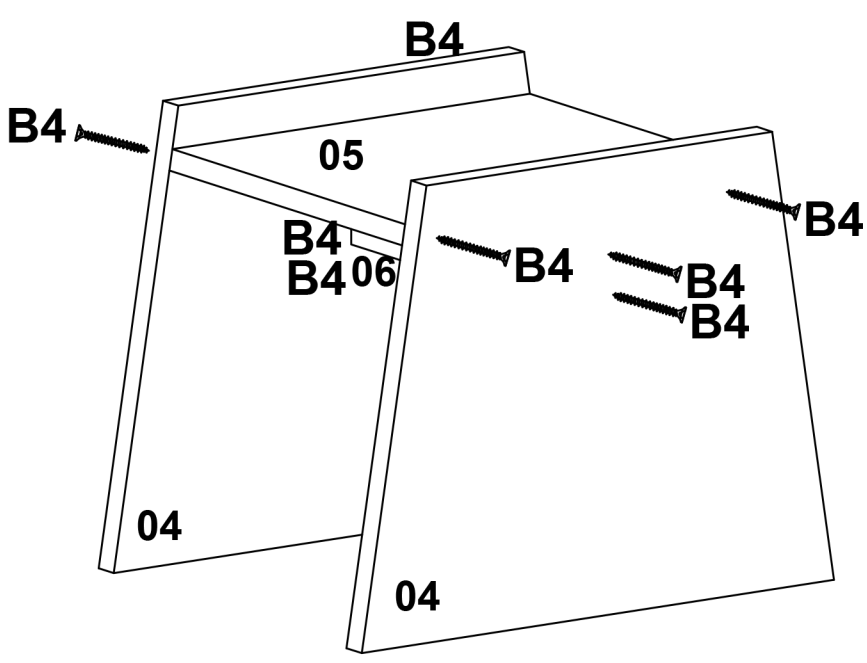
30 min



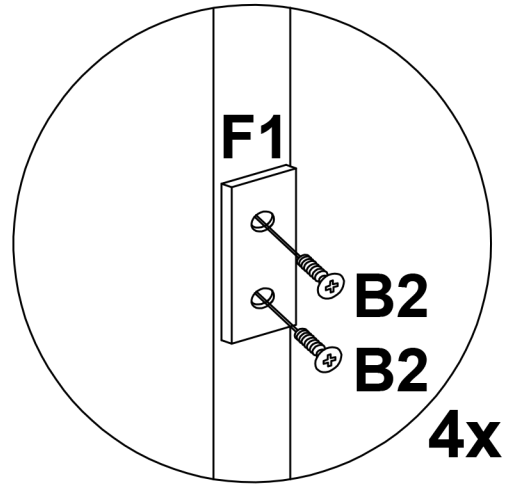
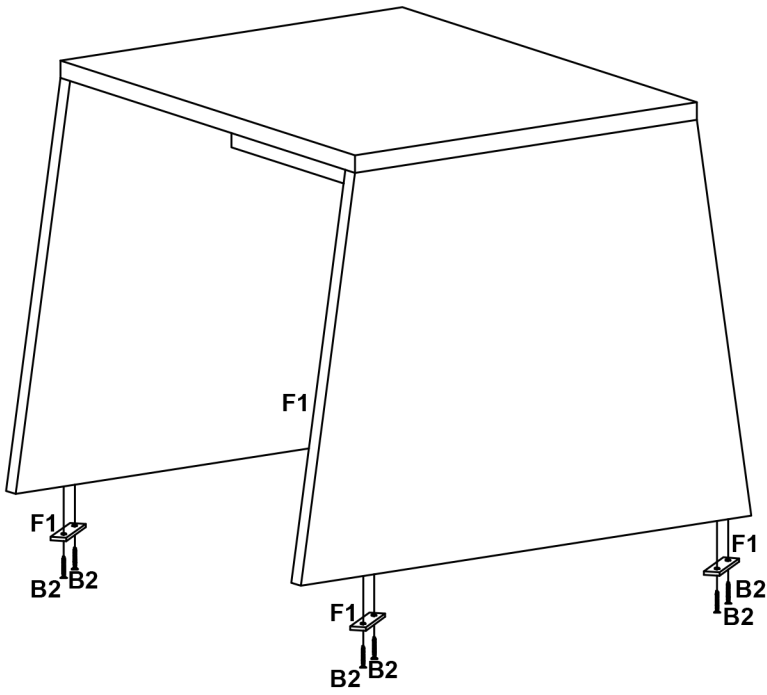
1



2



3



4

