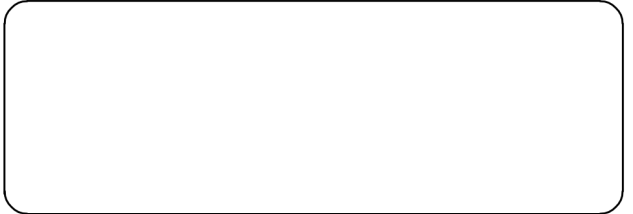
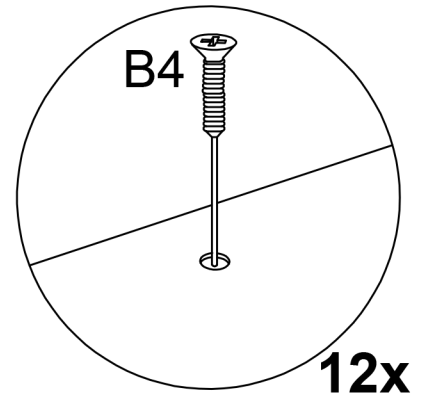
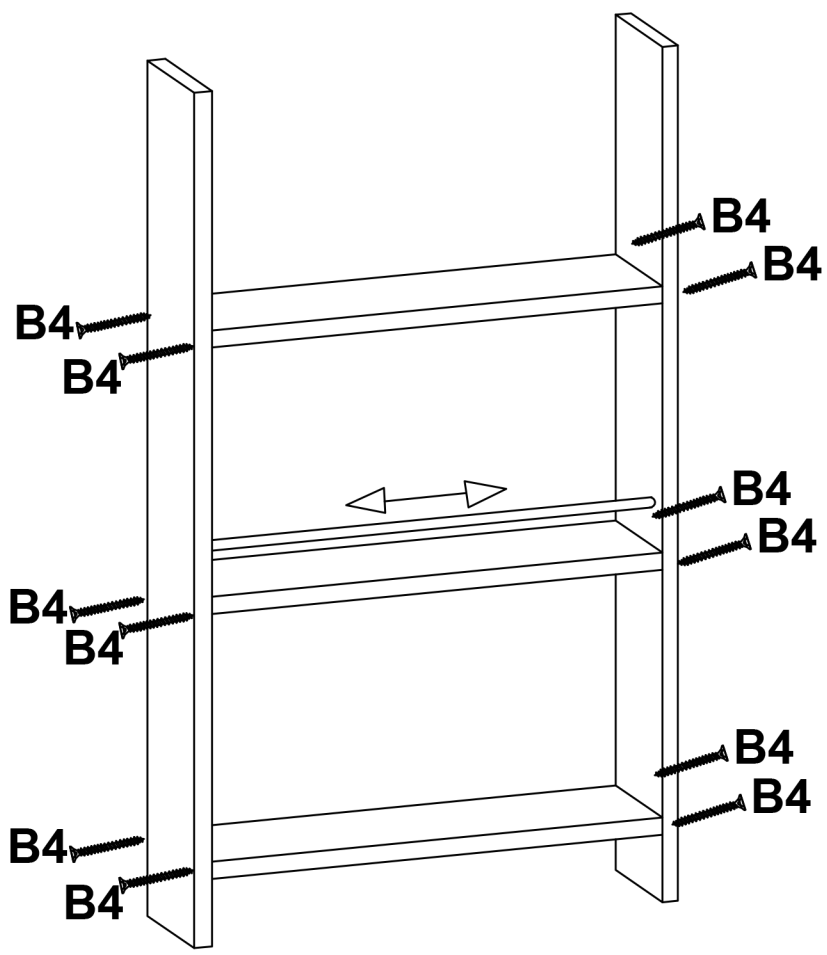


01	800x150x18 mm	x2	02	464x150x18 mm	x3	03	500x300x3 mm	x1
----	---------------	----	----	---------------	----	----	--------------	----

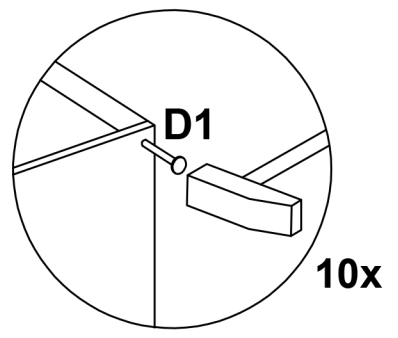
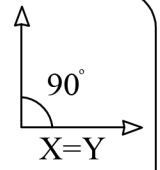
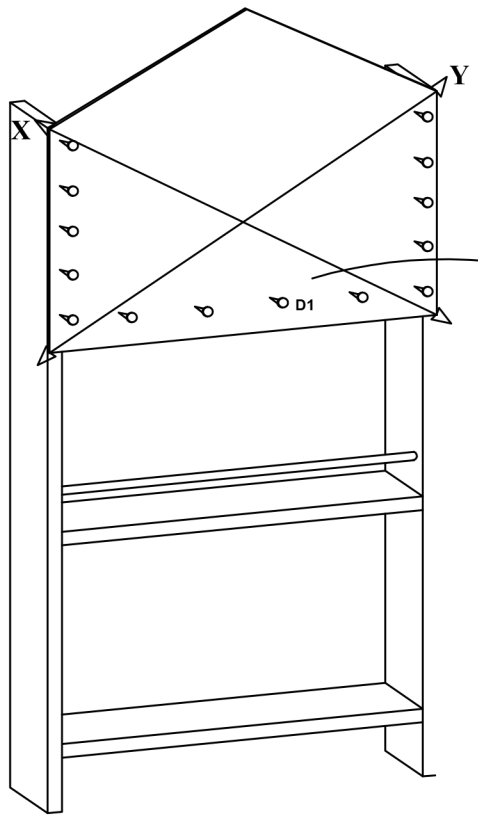
B1	B4	B9	B11	D1	F1	F2	F3
3,5x18	3,5x50	3,5x30	5x80				
2x	12x	8x	1x	10x	4x	1x	1x



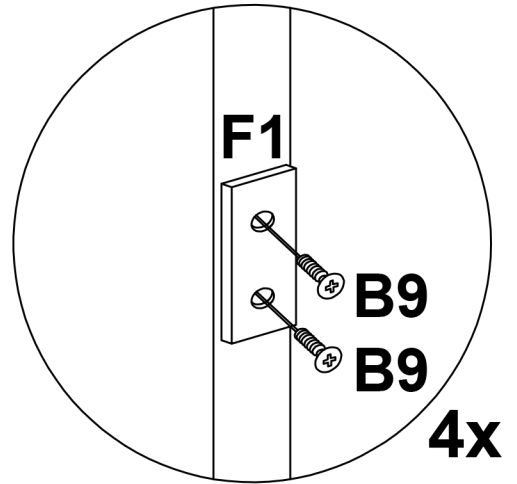
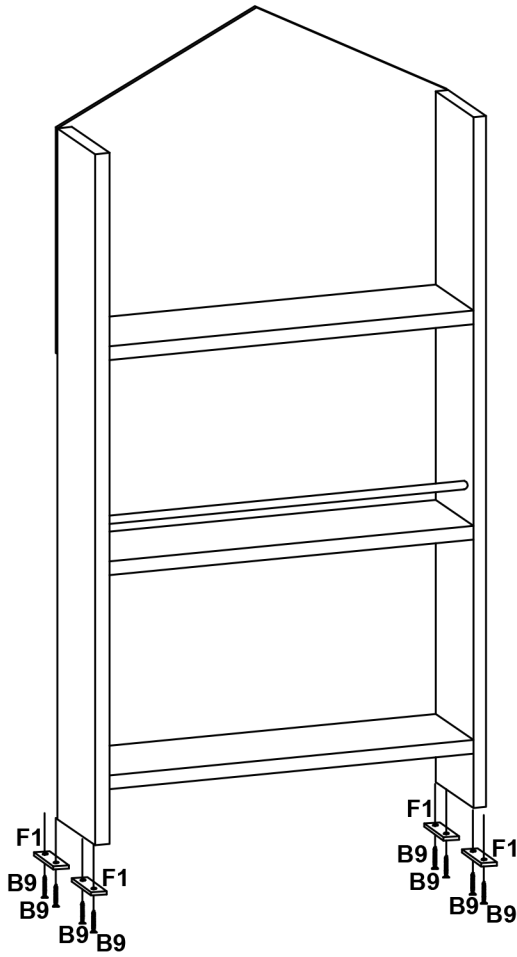
1



2



3



3

