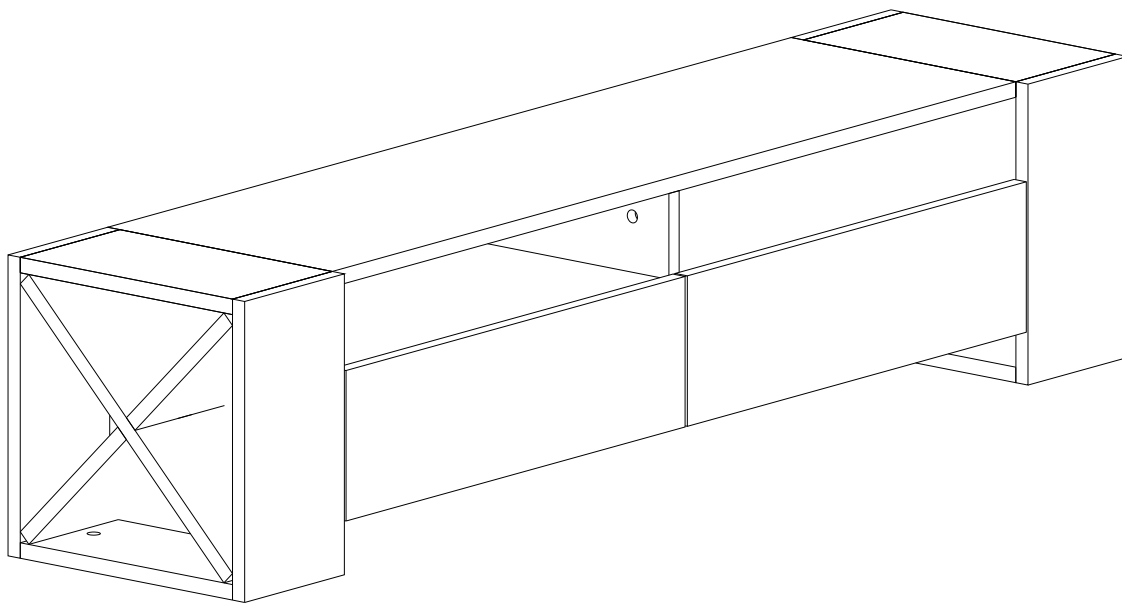


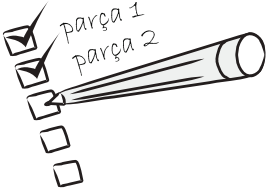
SOSRUKO



Dear Customer,

We design and produce our products for people to love and have fun with them as we do.

The product you bought was subjected to all sorts of tests and control before sending out to you.



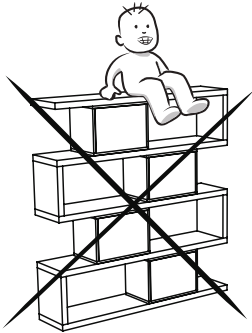
Before start assembling, please check the whole components and accessories according to the lists. If you bought more than one product, to prevent confusion be sure that you completed the first product. Then start the other product's assembling.



Before start assembling, please clean all the components with a damp cloth. Also for usual cleaning, this will be enough.



Although all the products are produced and packed carefully, sometimes happen that some component is damaged during the transportation. In such a case please check the missing or damaged part and do not hesitate to contact us. Telephone number
America; (201) 282-1510
Türkiye; 0 553 966 75 17

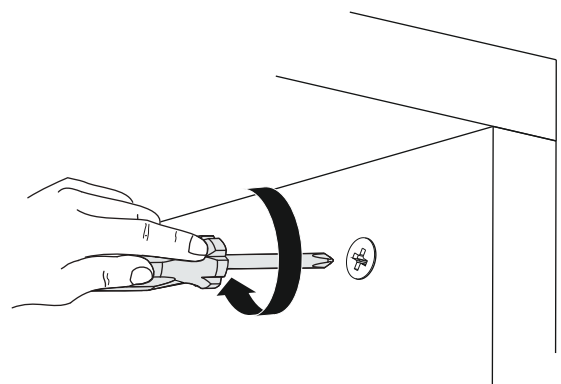
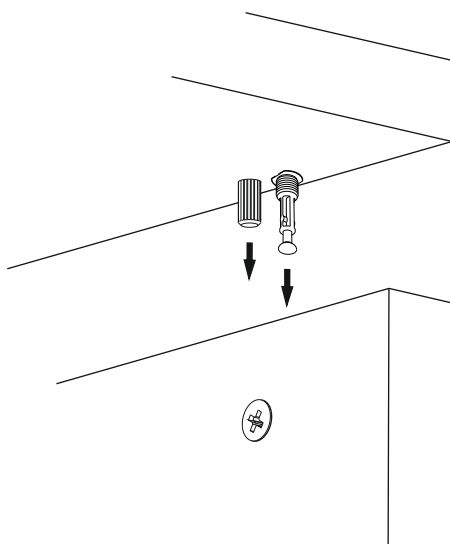
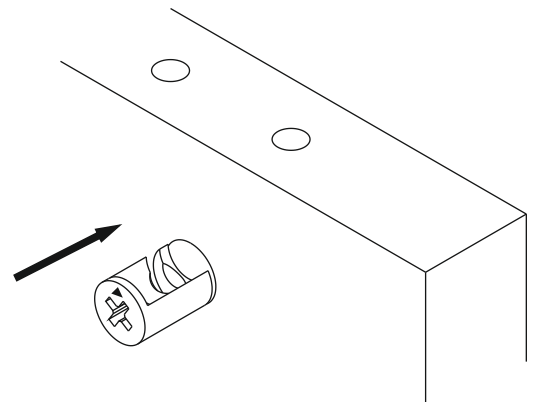
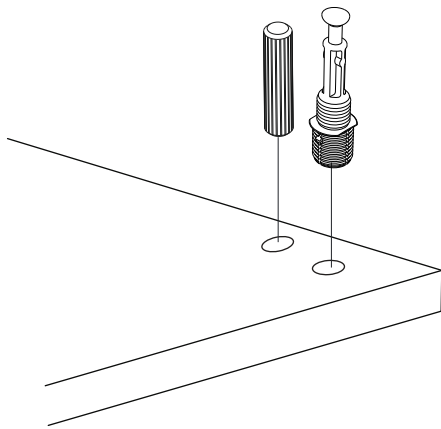
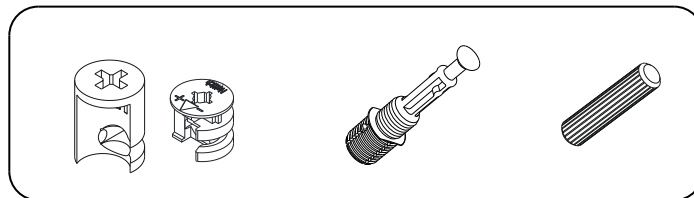


Do not use your furniture for out of purposes. If you would like to use it, please contact us for further questions.


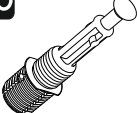
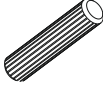

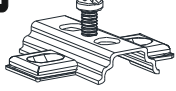

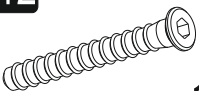


Do not directly contact your furniture with excessive heat, cold and humidity because the product can be affected..

ATTENTION !!

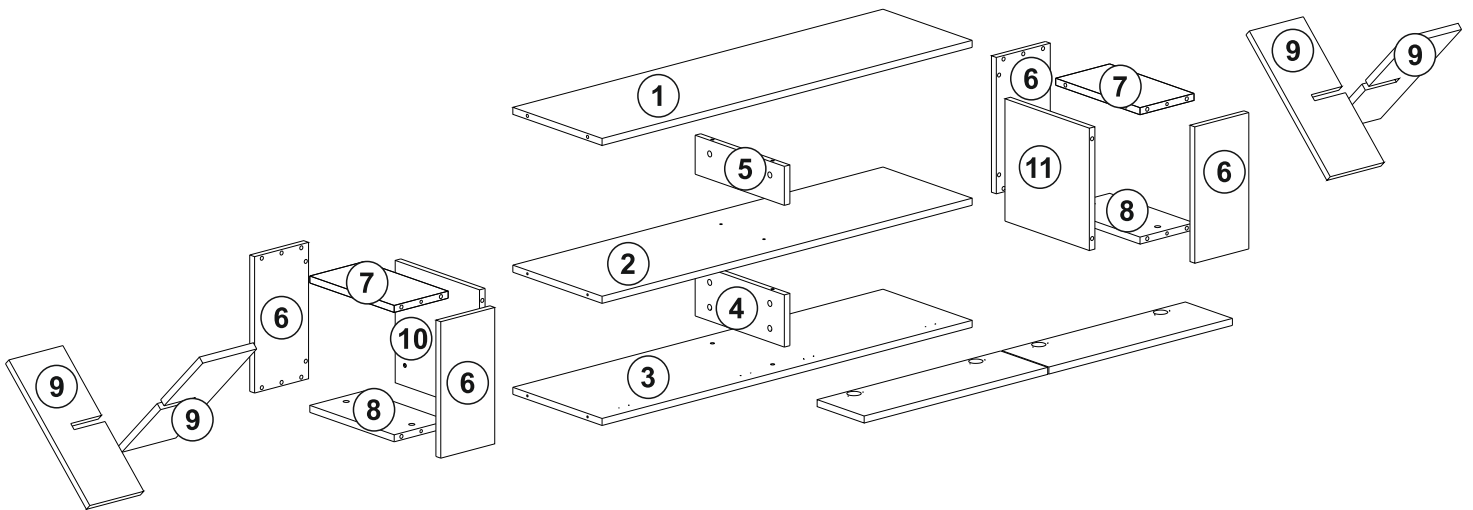
Minifix is the main connection material used in Decortie products. Before starting assembly, please check the drawings below.



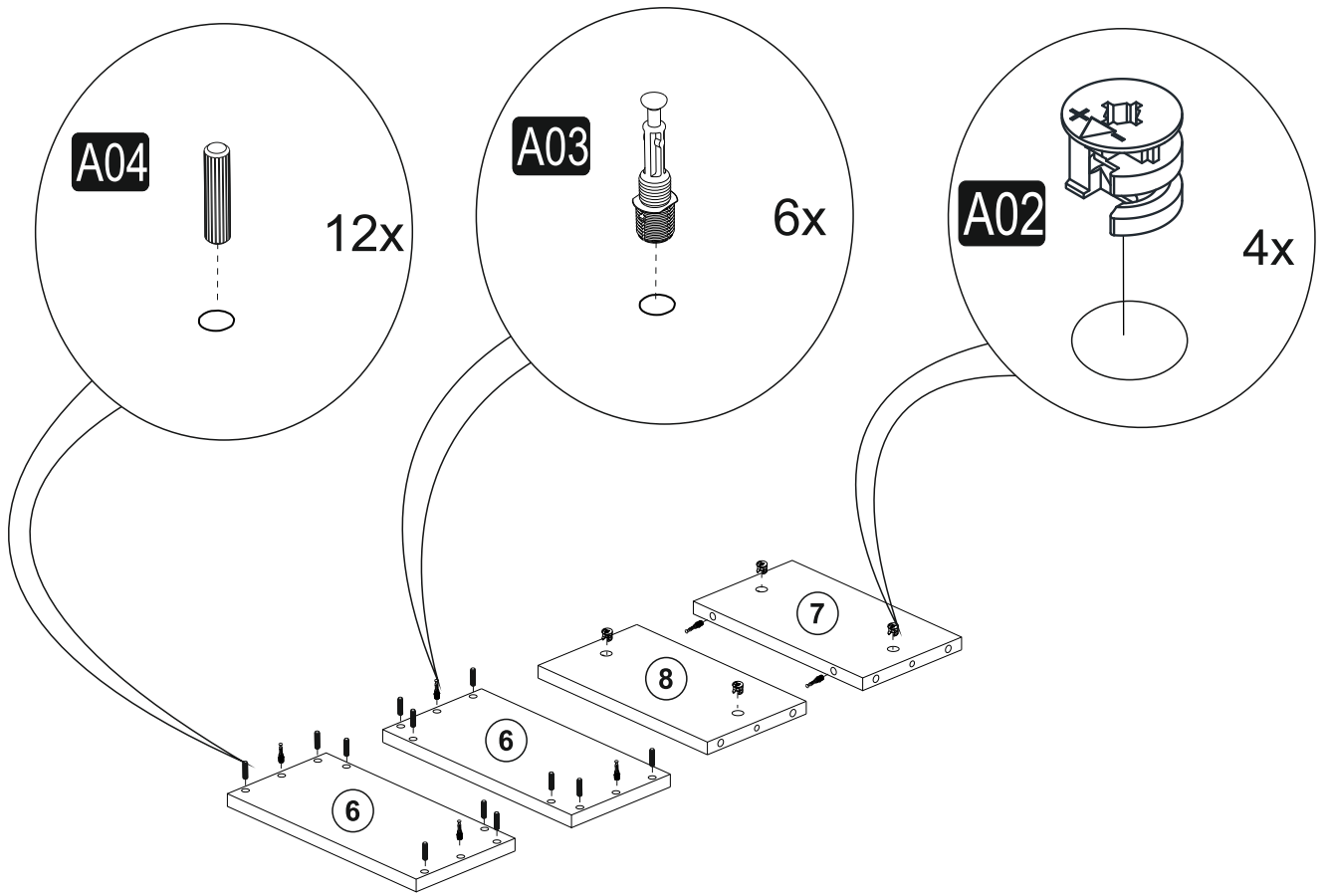
ACCESSORY LIST

| | | | |
|---|---|---|--|
| A02 Minifix k18  22X | A03 Minifix M10  22X | A04 $\varnothing 8$  24X | A10 18 mm  byz 24X |
| C04  4x | C02 Düz menteşe  4x | A12 50mm  10x | A09 3.5x18  16x |
| A40 çivi  12x | | | |

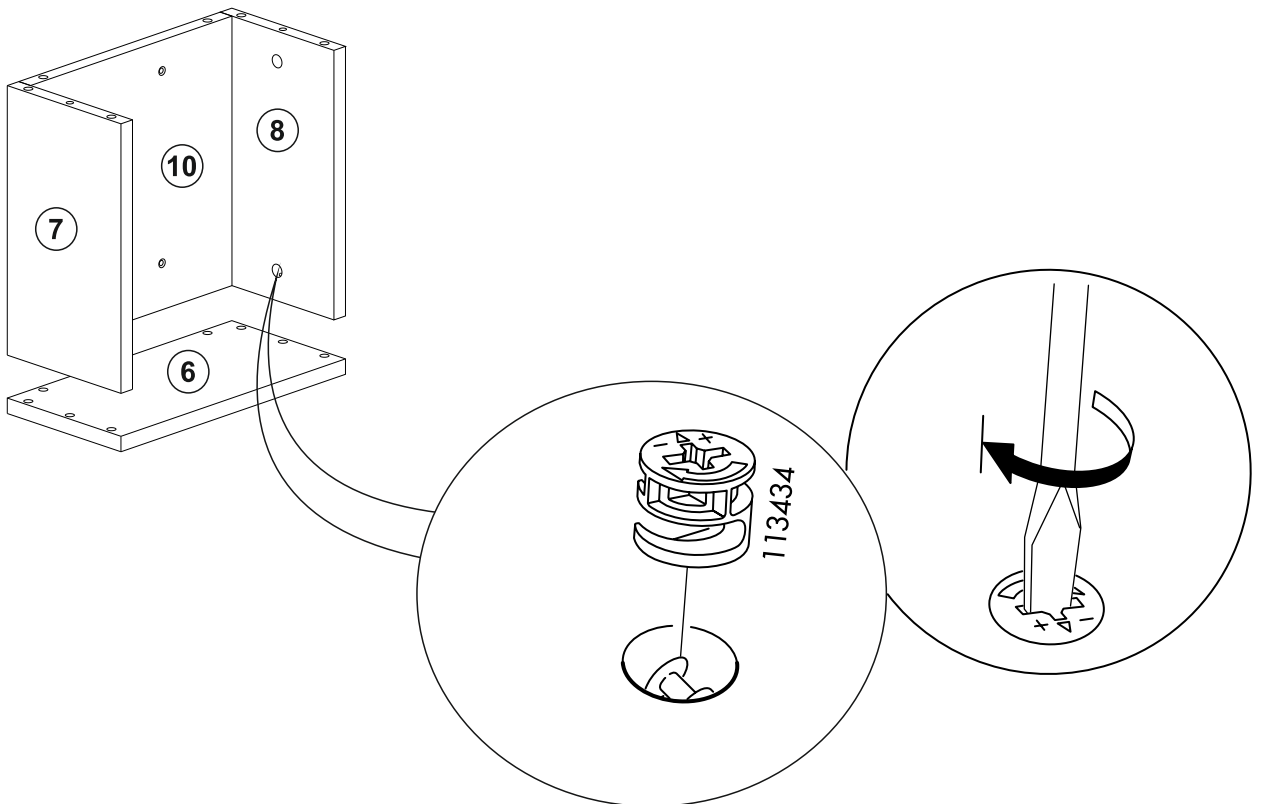
GENERAL VIEW



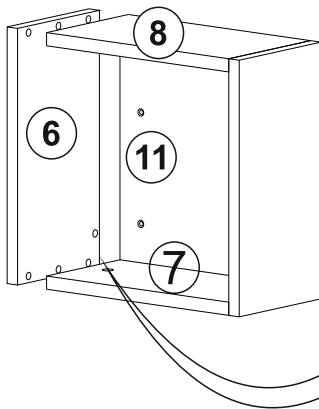
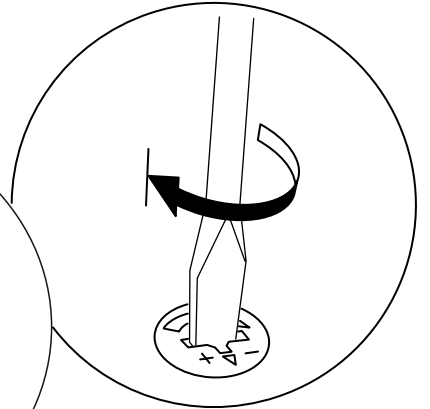
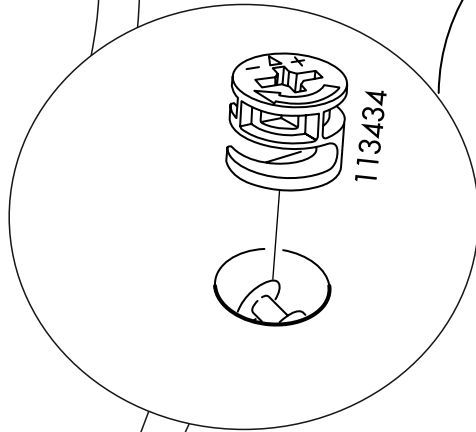
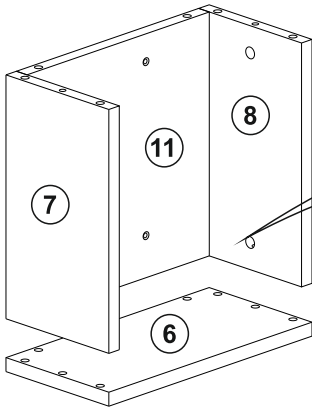
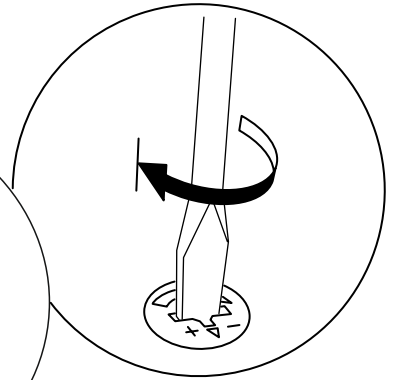
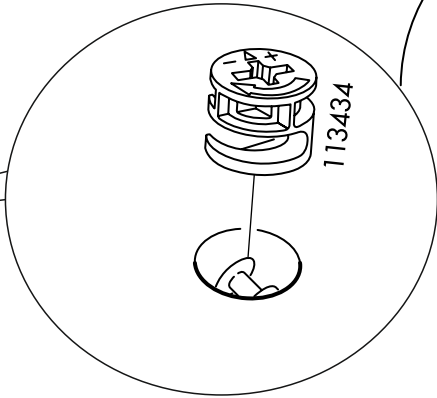
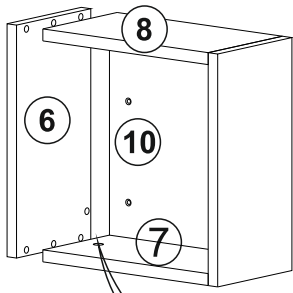
1



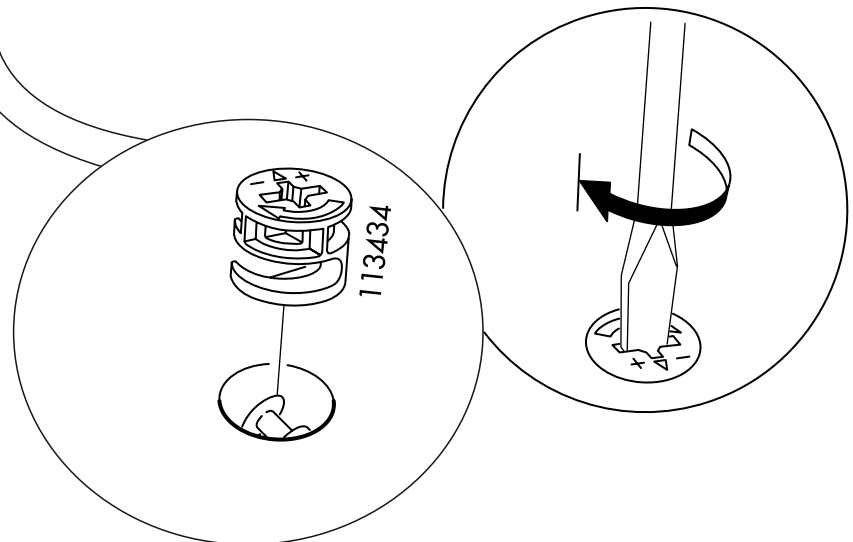
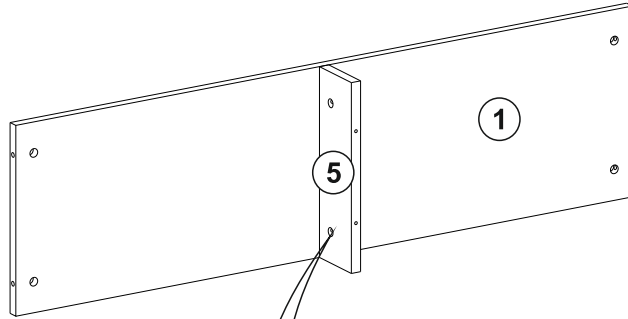
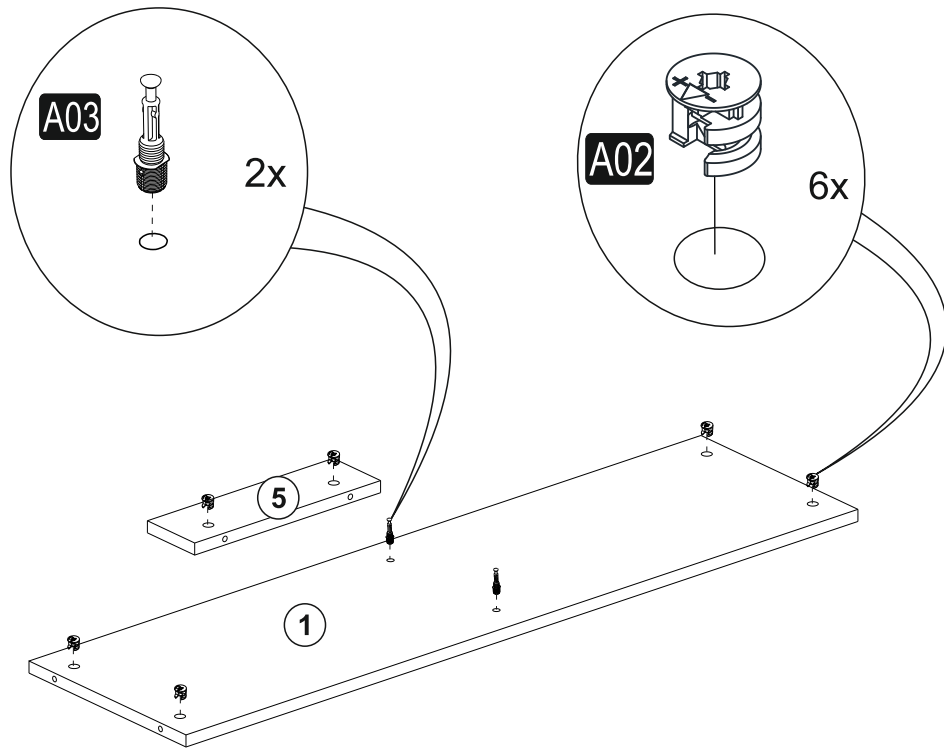
2

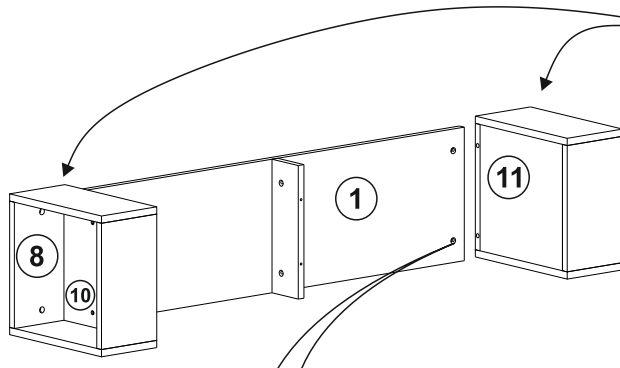


3



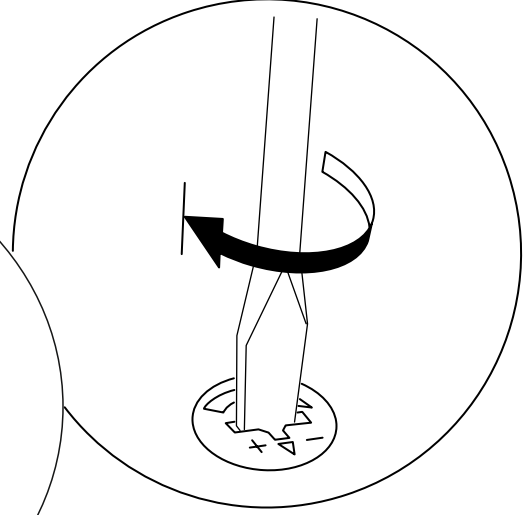
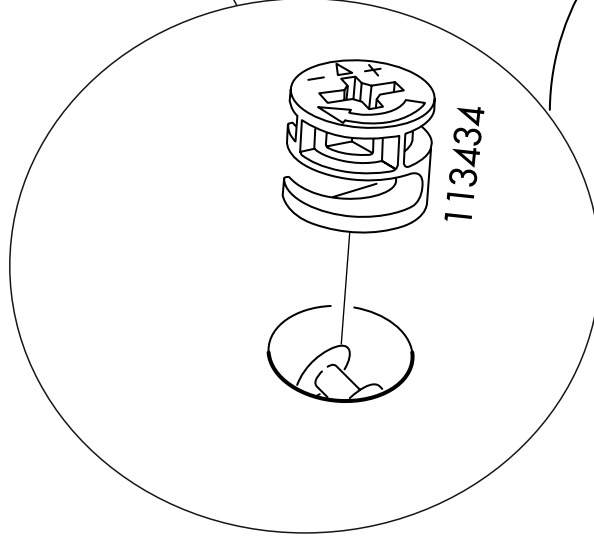
4



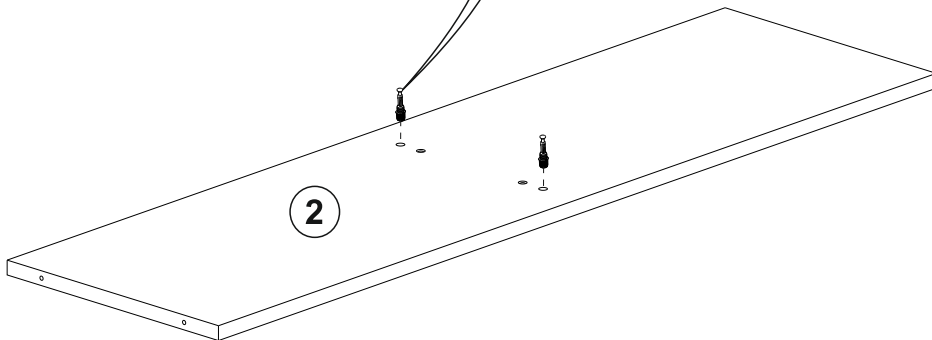
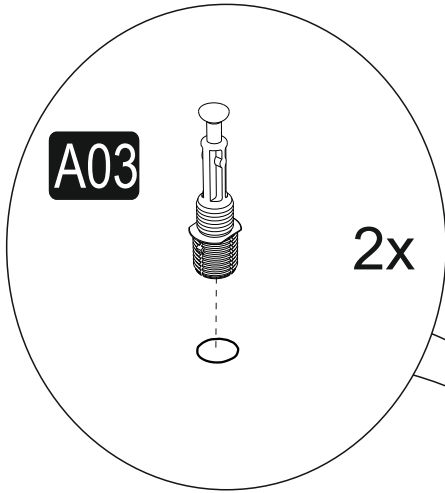


10 ve 11 numaralı parçalar sağ-sol olarak ayrıldığından, kurulum aşamasında her iki payın da ön yüze bakacak şekilde monte edilmesi gerekmektedir.

While assembling the left and right modules to Part #1, the excess portion of the modules should be facing front.

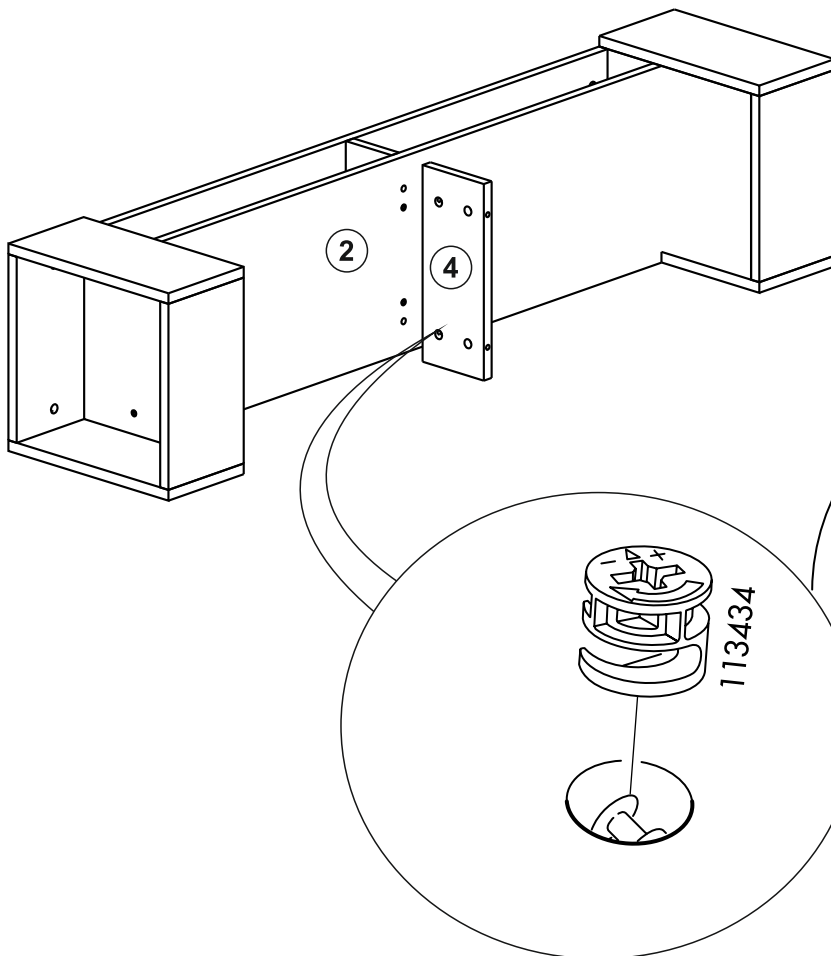
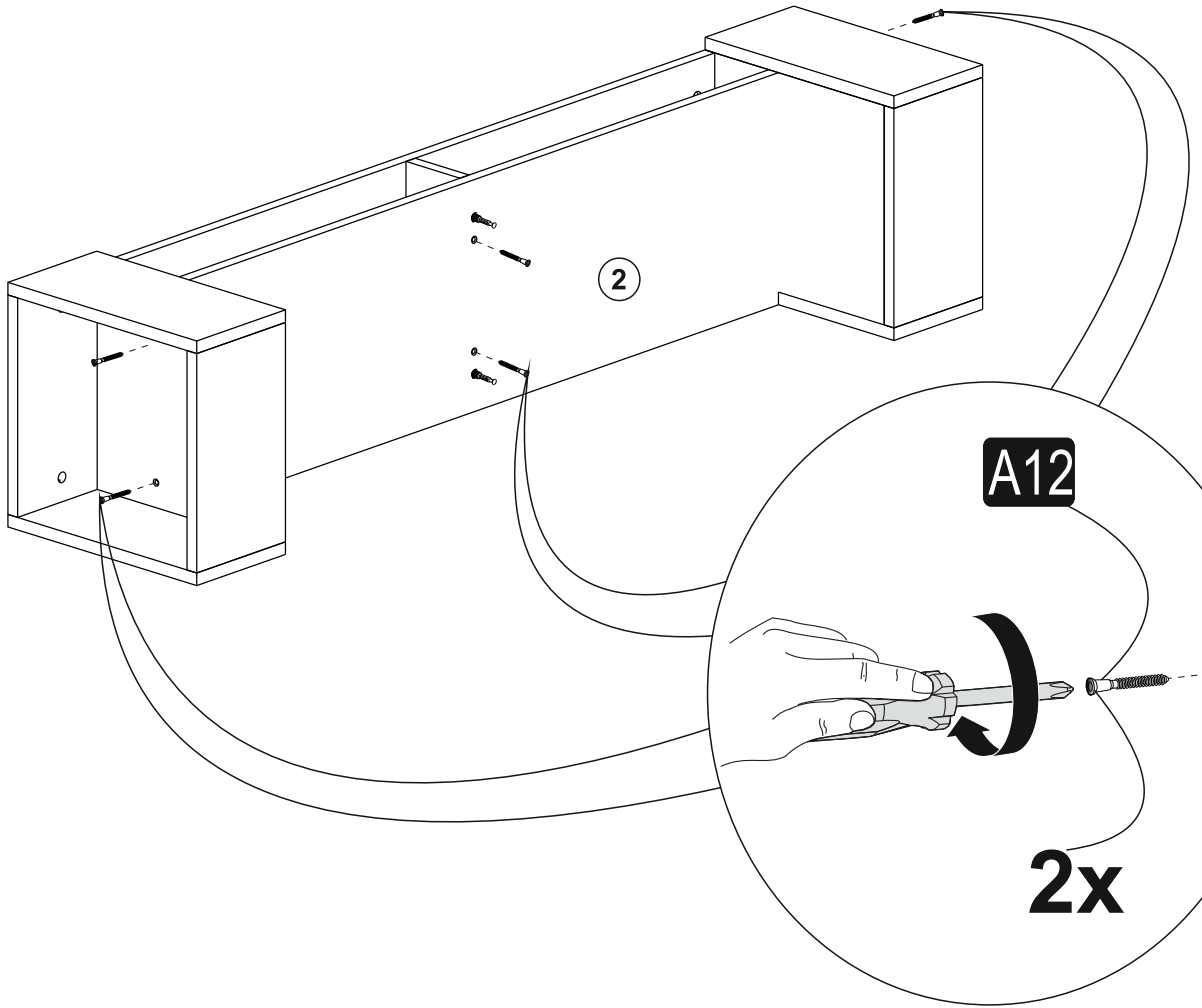


5

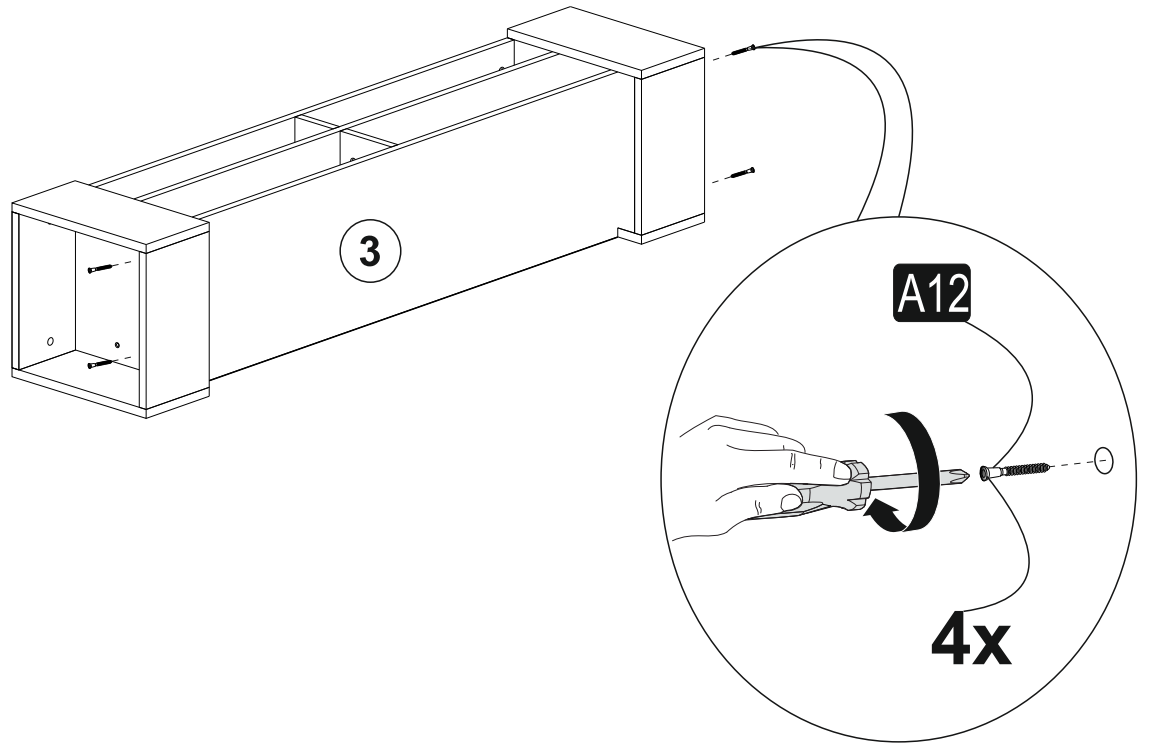


7

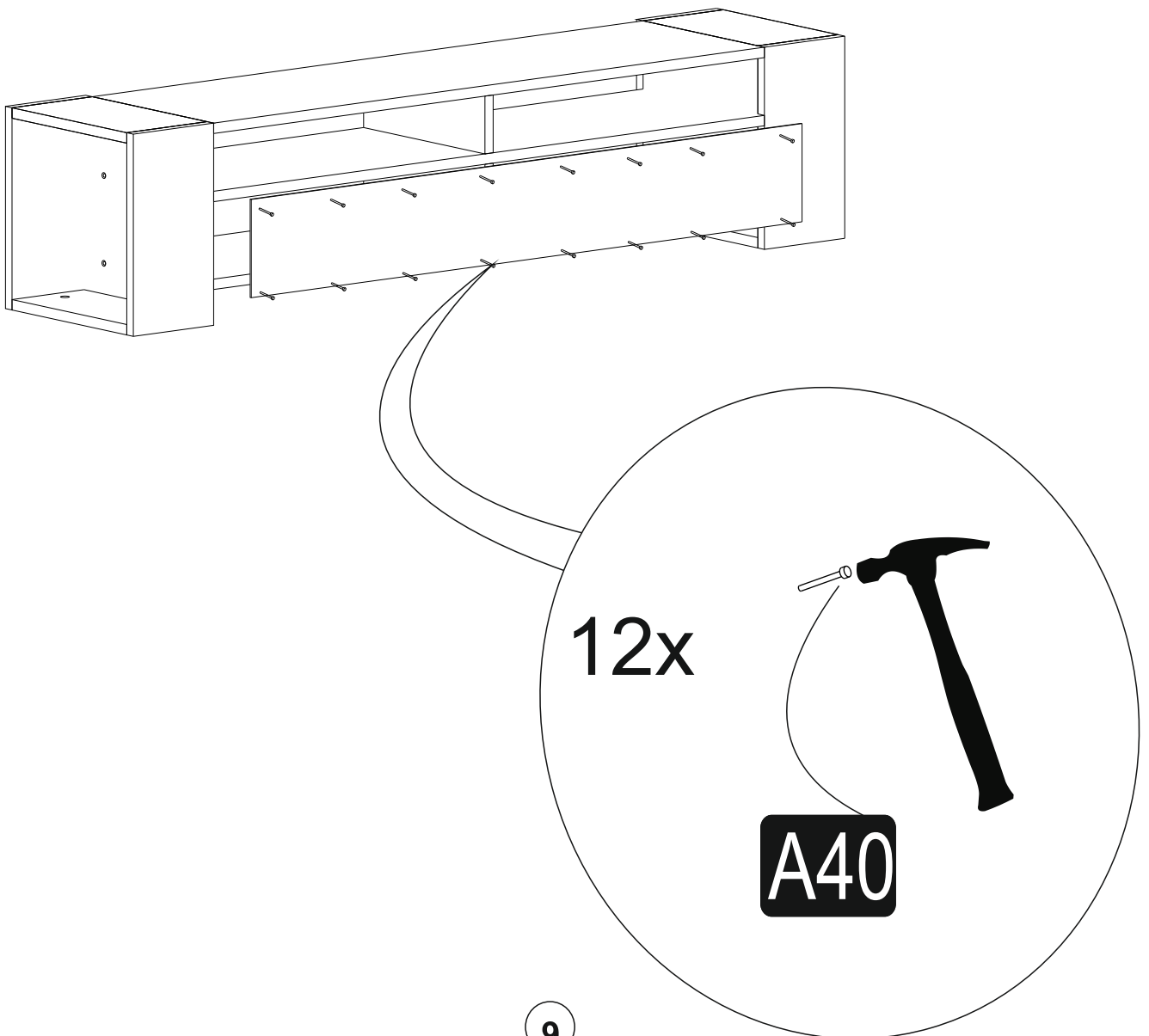
6



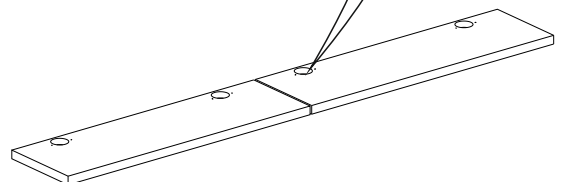
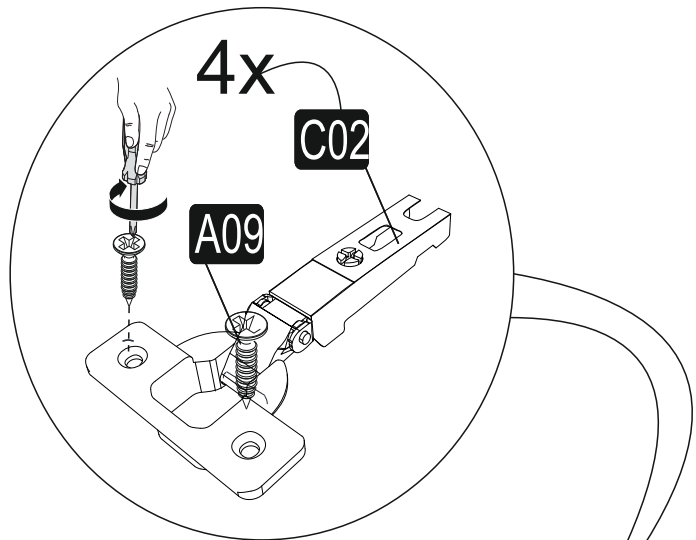
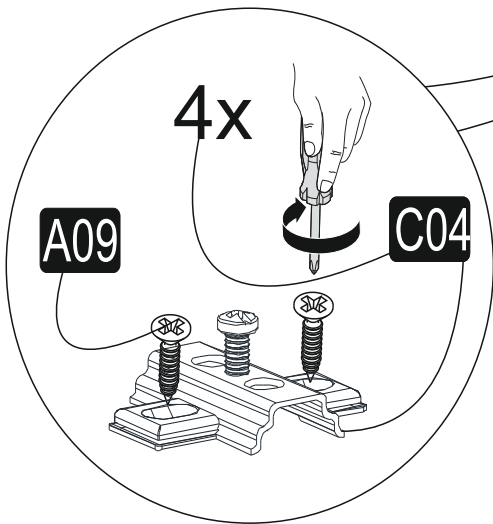
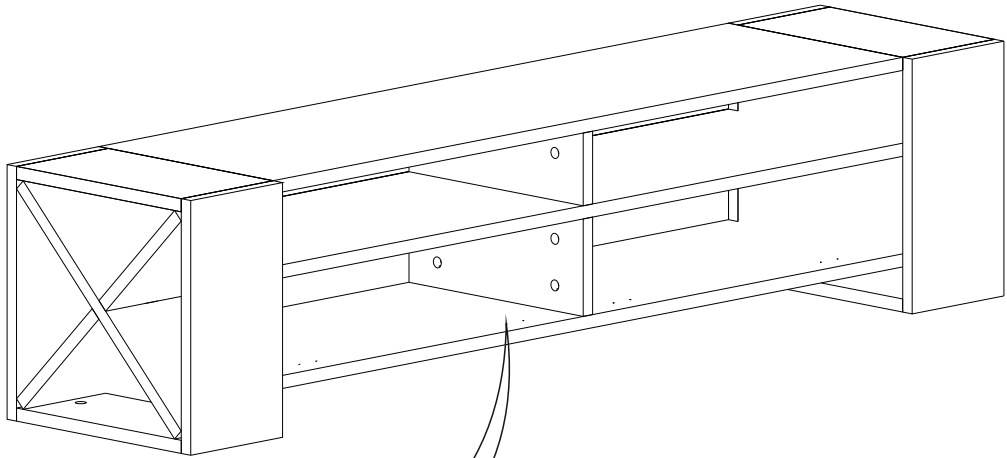
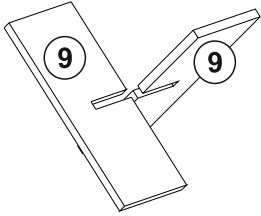
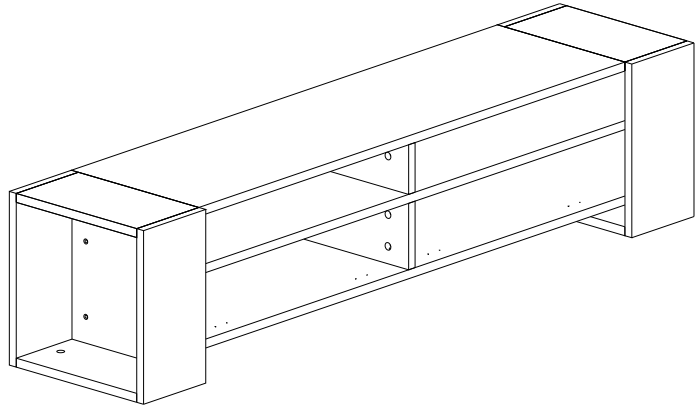
7

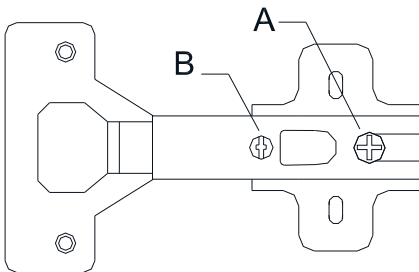
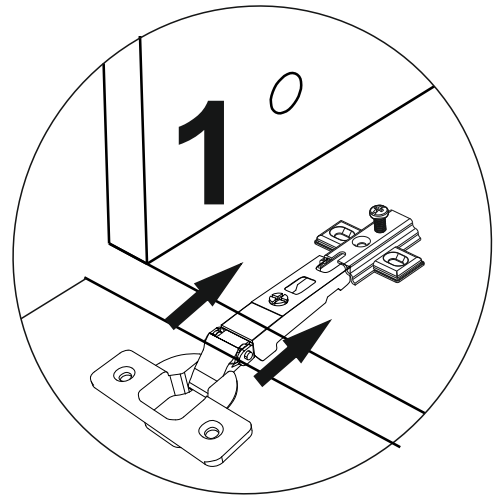
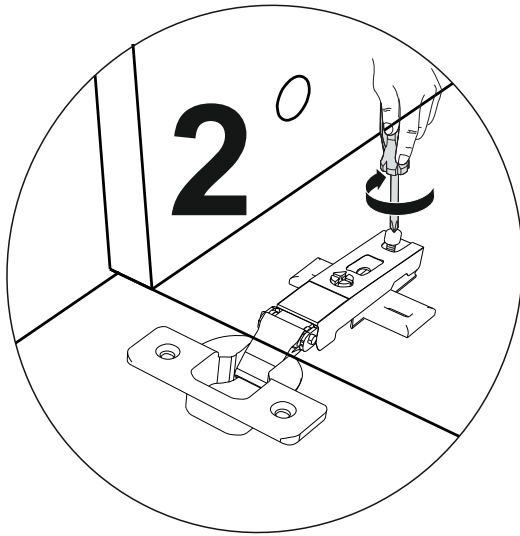
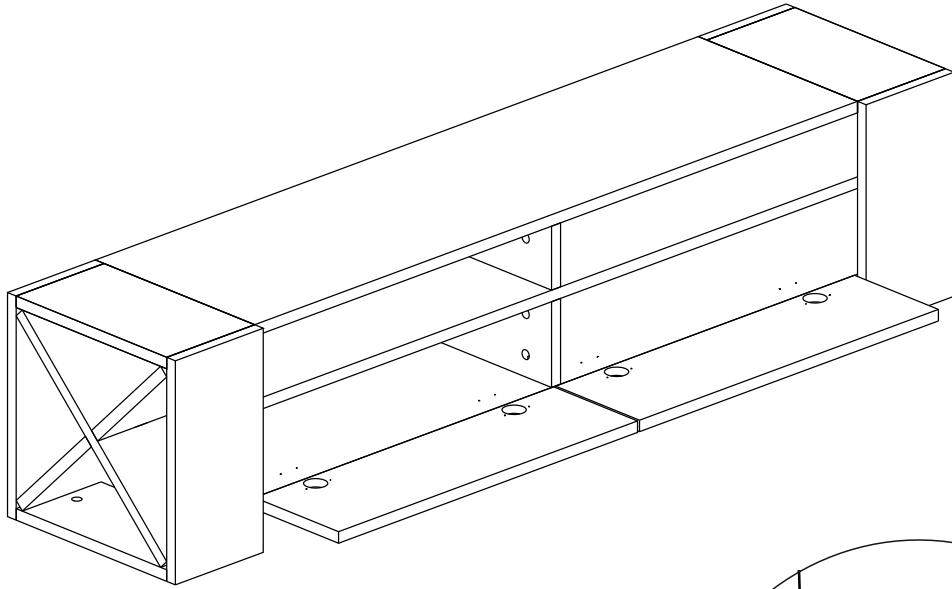


8

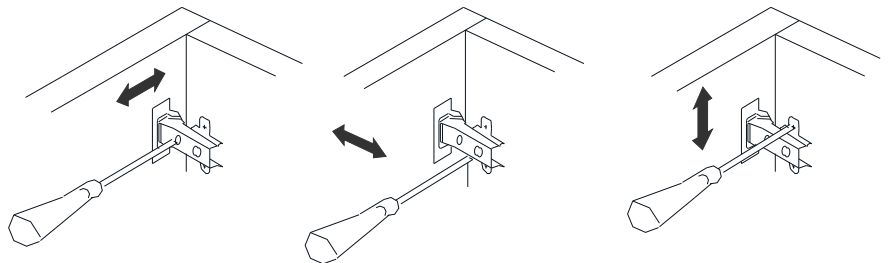


9





A= to connect the hinge to the door
 B= to arrange the door



arrows to show the directions for arrangement of doors.