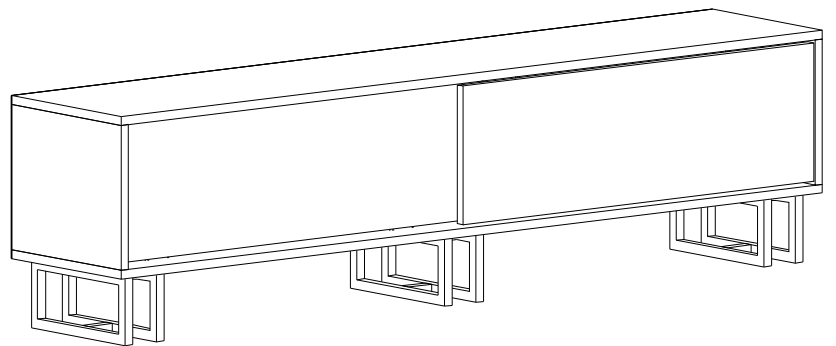


# DECOROTIKA



## Ascal Tv Stand

assembly guide



Valued Customer,

We design and carefully manufacture our products for our customers, We wish that our customers to have fun while they are doing their new furniture

The product you just purchased was subjected to all sorts of tests and controls before sending out to you.

Hope you enjoy your new furniture!!!

Before starting, please check all components and accessories according to the provided list. If you purchased more than one product, to prevent confusion, be sure that you completed the first product, then start the next one. Please make sure that you select correct numbered part and use specific connector to assemble. We do not recommend any modification or rotation in assembly. Please follow the manual carefully.

Furniture parts are going to several manufacturing procedures. During this process, parts can have little dust or marks. Please clean the parts with damp cloth before assembly to get the best result. Usual cleaning would be suffice.



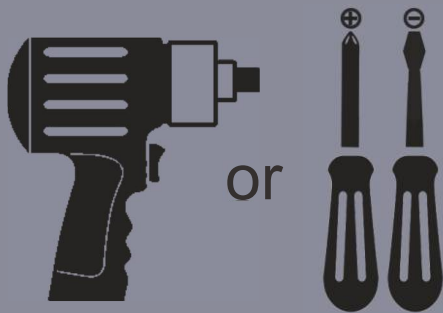
Although all products are carefully manufactured and packed, sometimes we experience damage during transportation. In such cases, please check the damaged part, note the part number written on the part and do not hesitate to contact us

Do not use your furniture for out of purposes. If you would like to use it out of purpose or would like to do some modification or rotation, please contact us for more details.

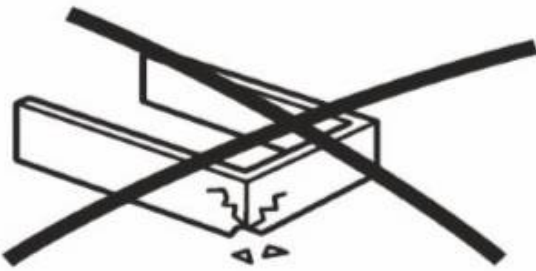
Please do not expose your furniture with excessive heat, cold and humidity because product can be affected negatively.

Phone: [553\) 966-7517](tel:5539667517)

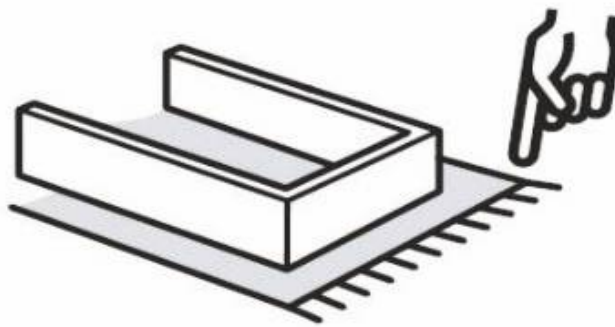
# before you start



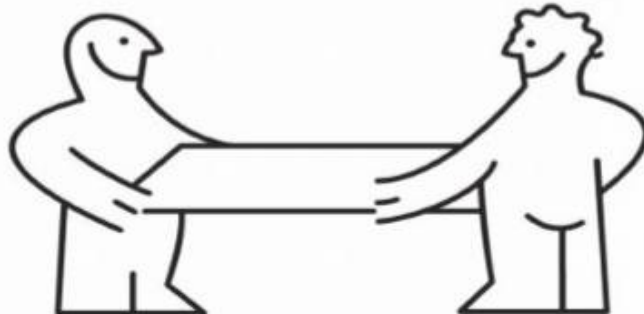
Get required installation tools prepared.

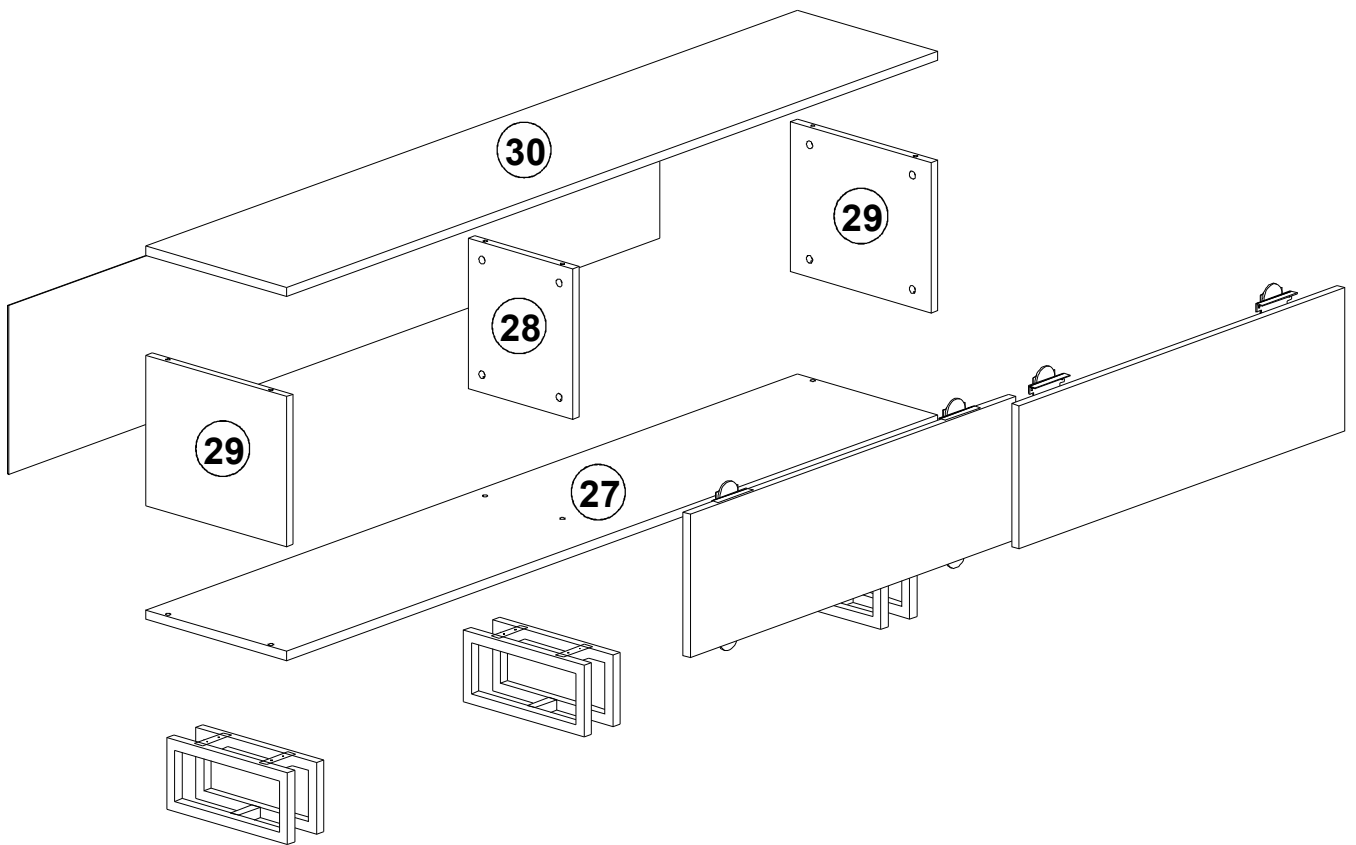


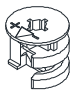
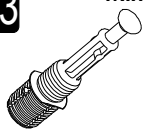
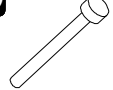
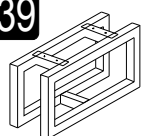





Do not install the product on rough surfaces.

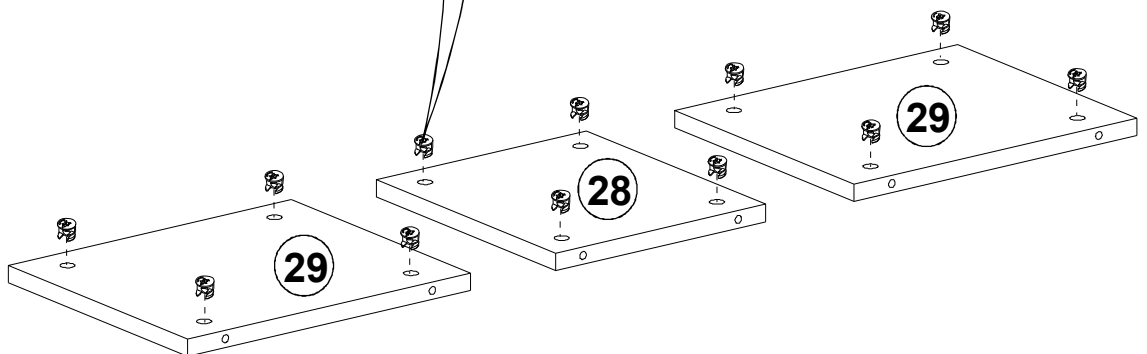
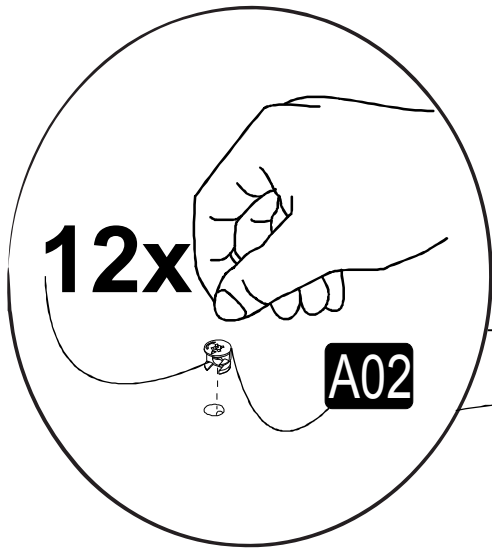
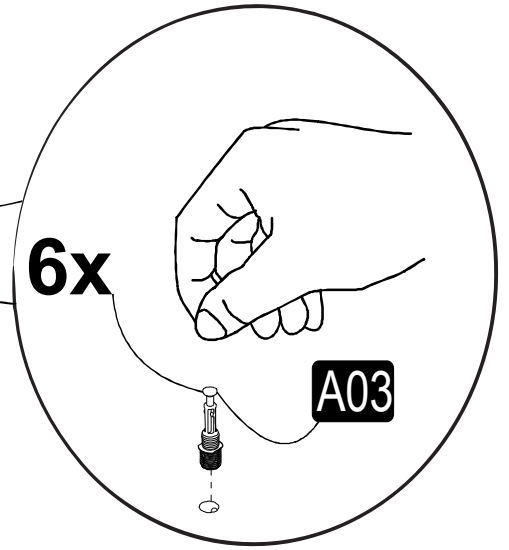
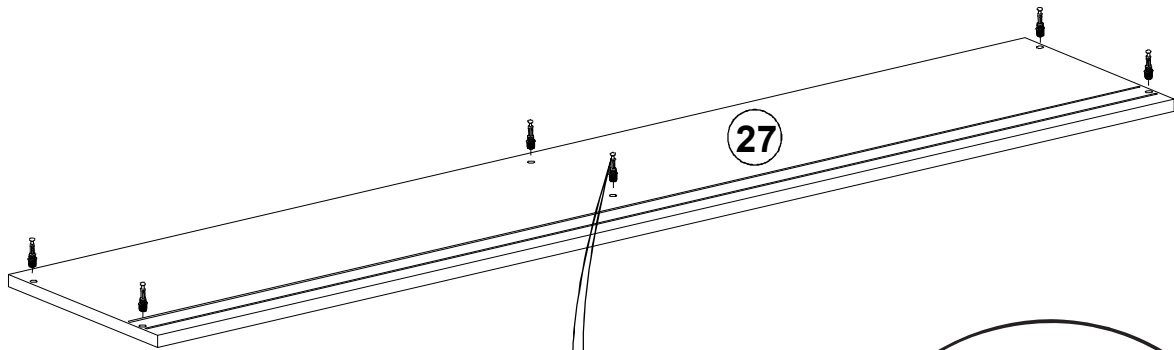


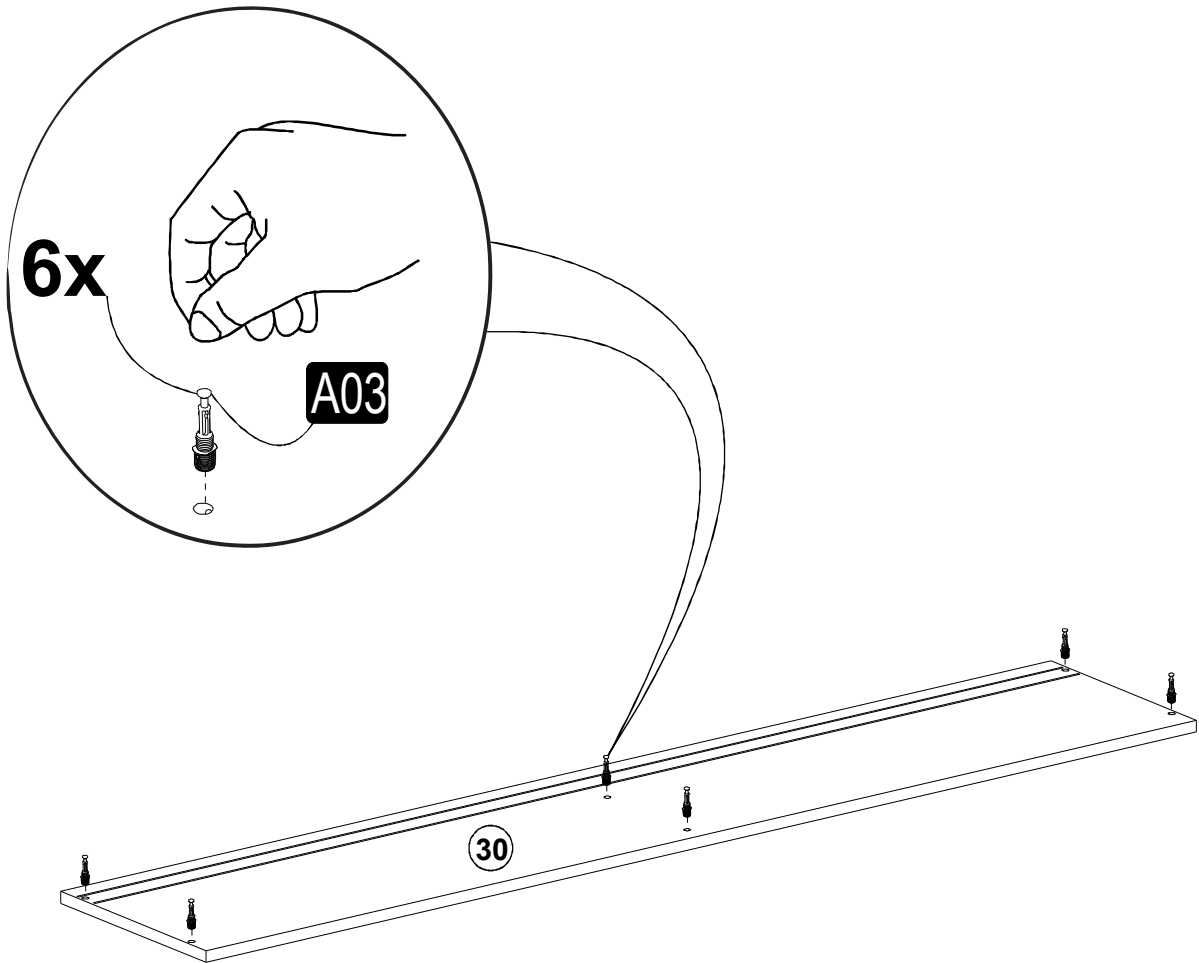
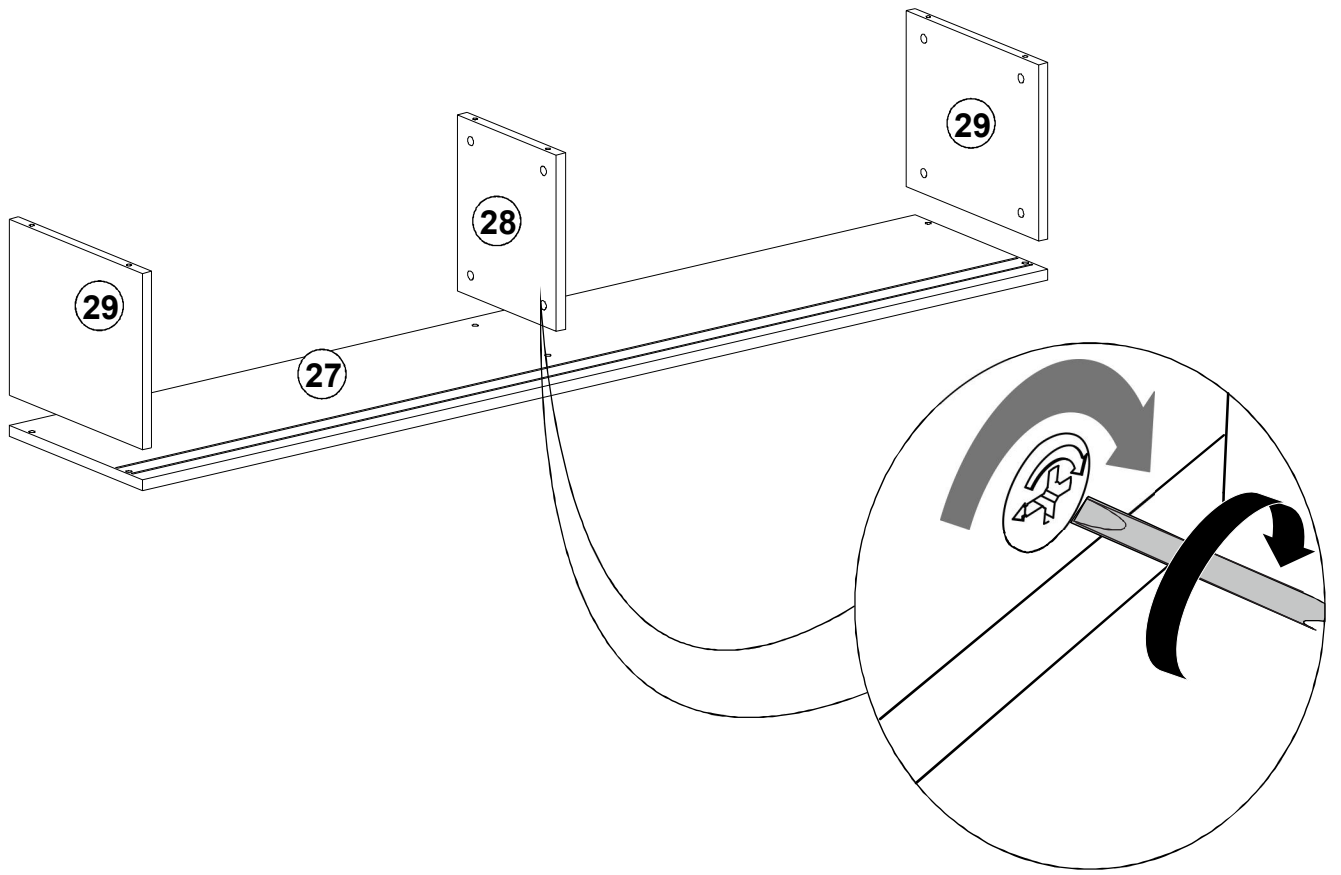
Get help from someone else!

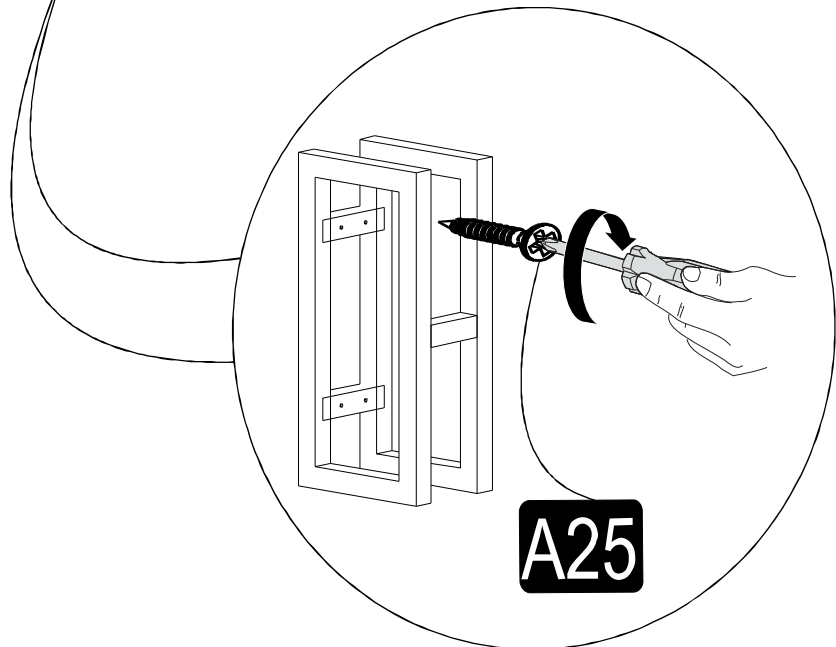
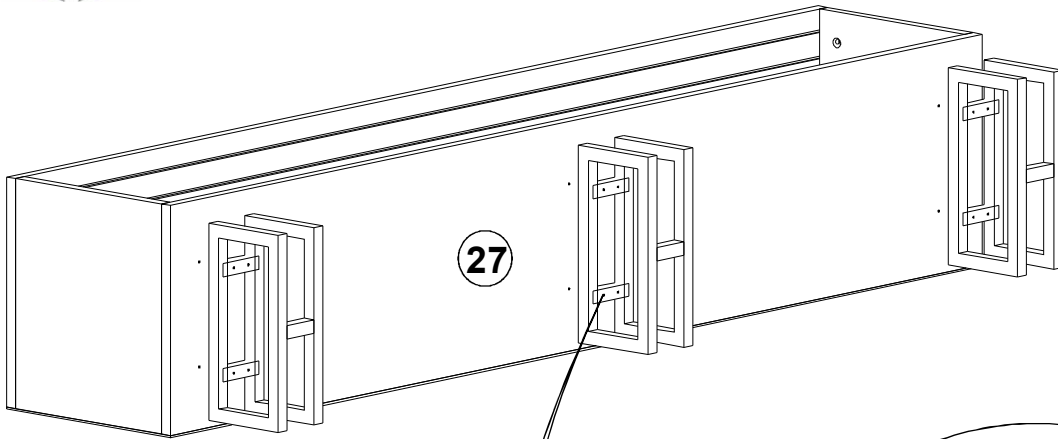
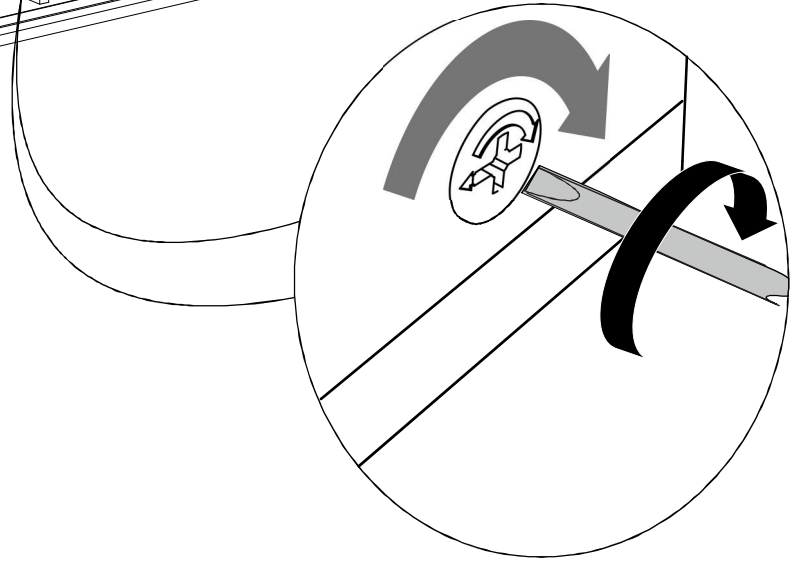
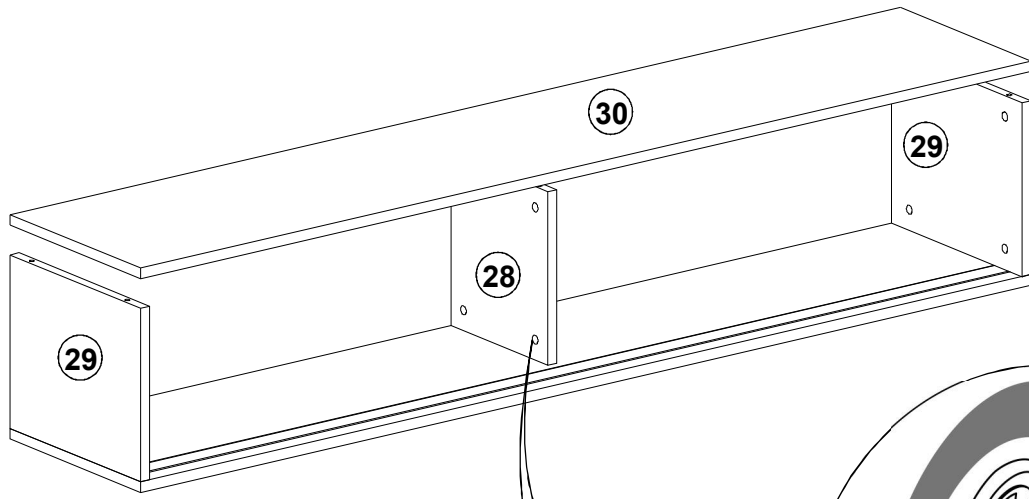




<b>A02</b>  Minifix k18 <b>12x</b>	<b>A03</b>  Minifix M10 <b>12x</b>	<b>A40</b>  nail <b>21x</b>	<b>Z39</b>  foot <b>3x</b>
<b>A06</b>  18 mm <b>12x</b> c 1	<b>A09</b>  3-5x16 <b>32x</b>	<b>T25</b>  slider wheel <b>4x</b>	<b>A25</b>  3-5x30 <b>12x</b>
		<b>T26</b>  slider wheel <b>4x</b>	



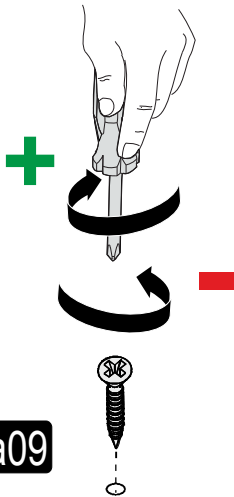
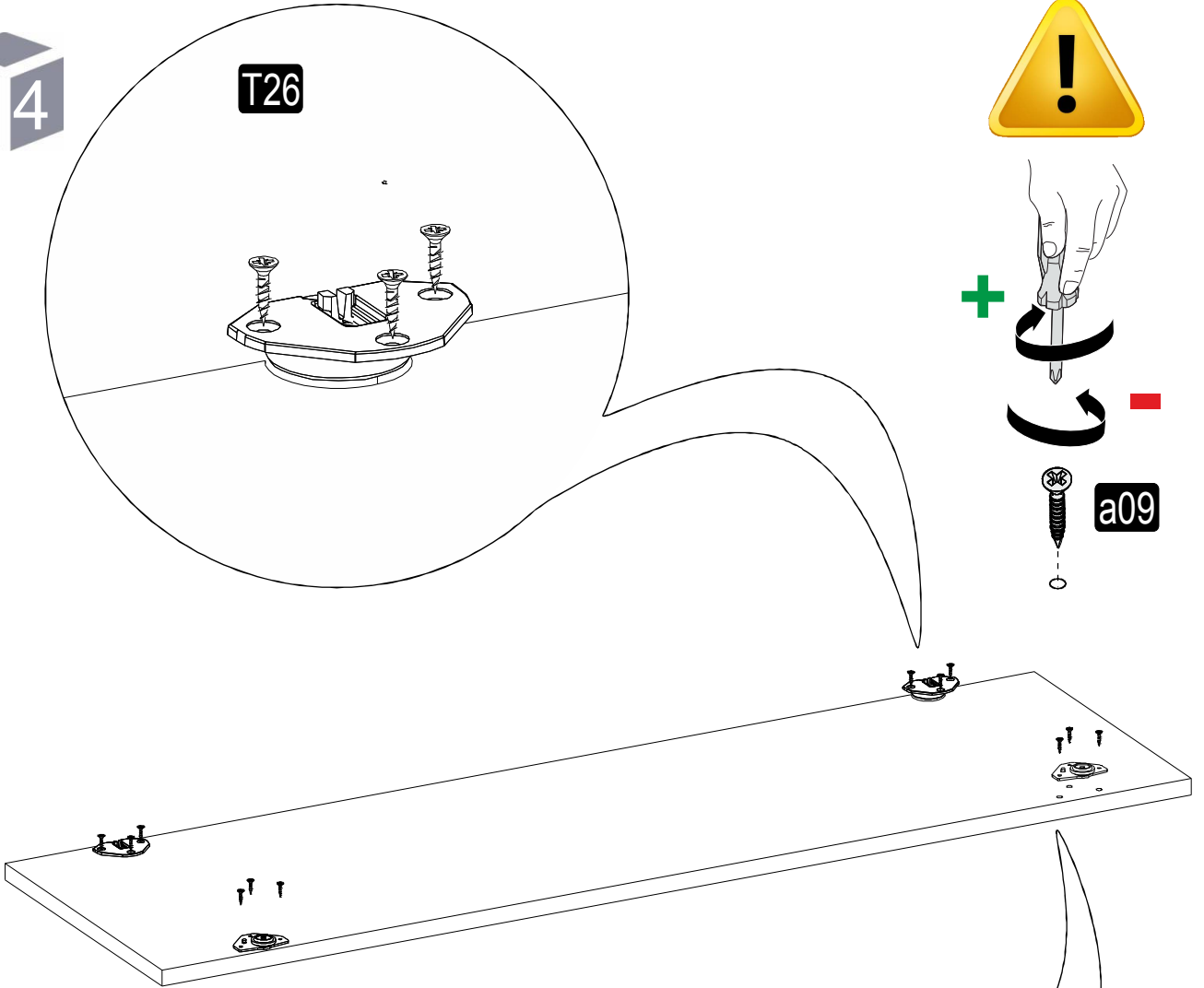
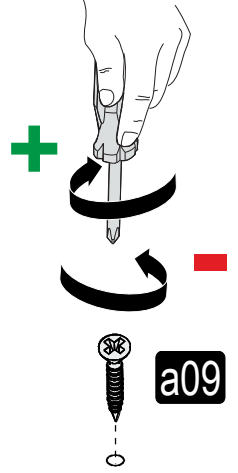




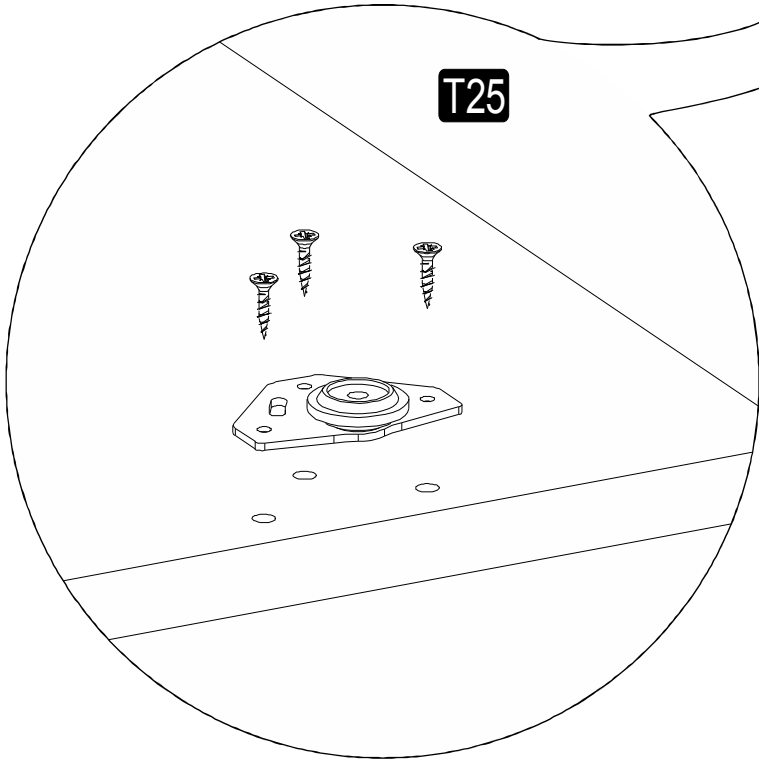
**A25**

4

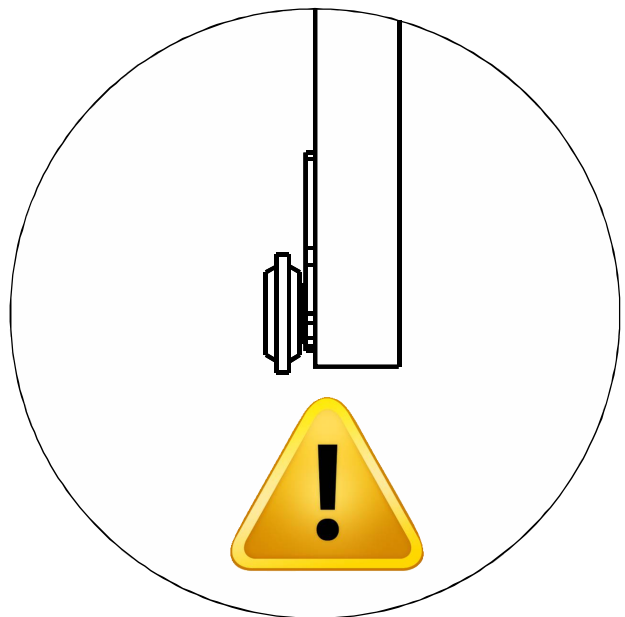
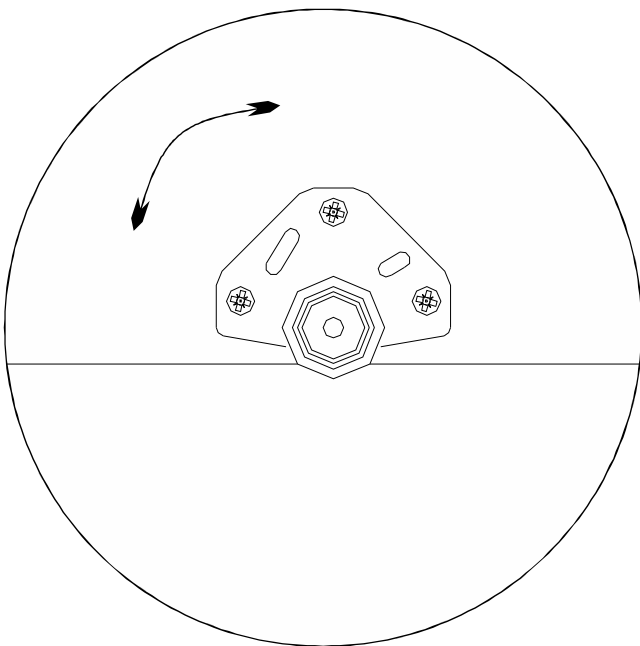
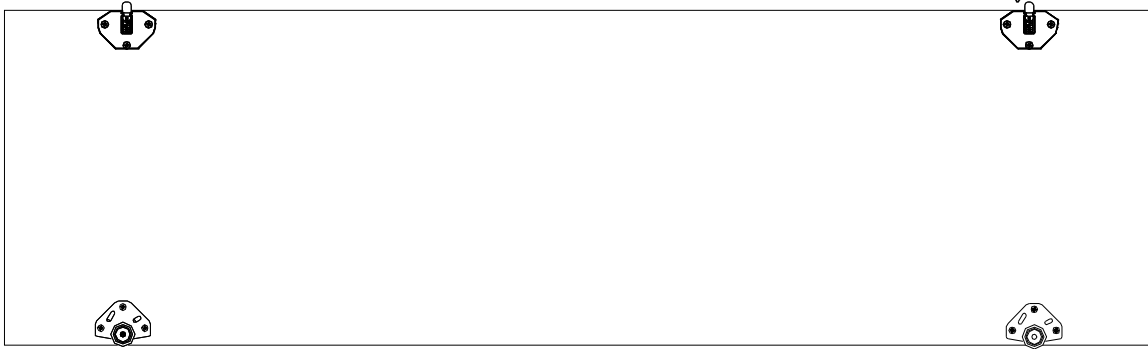
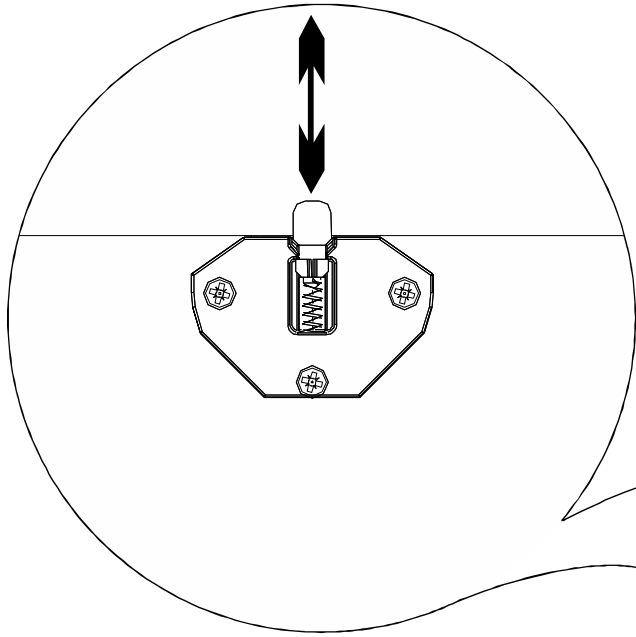
T26

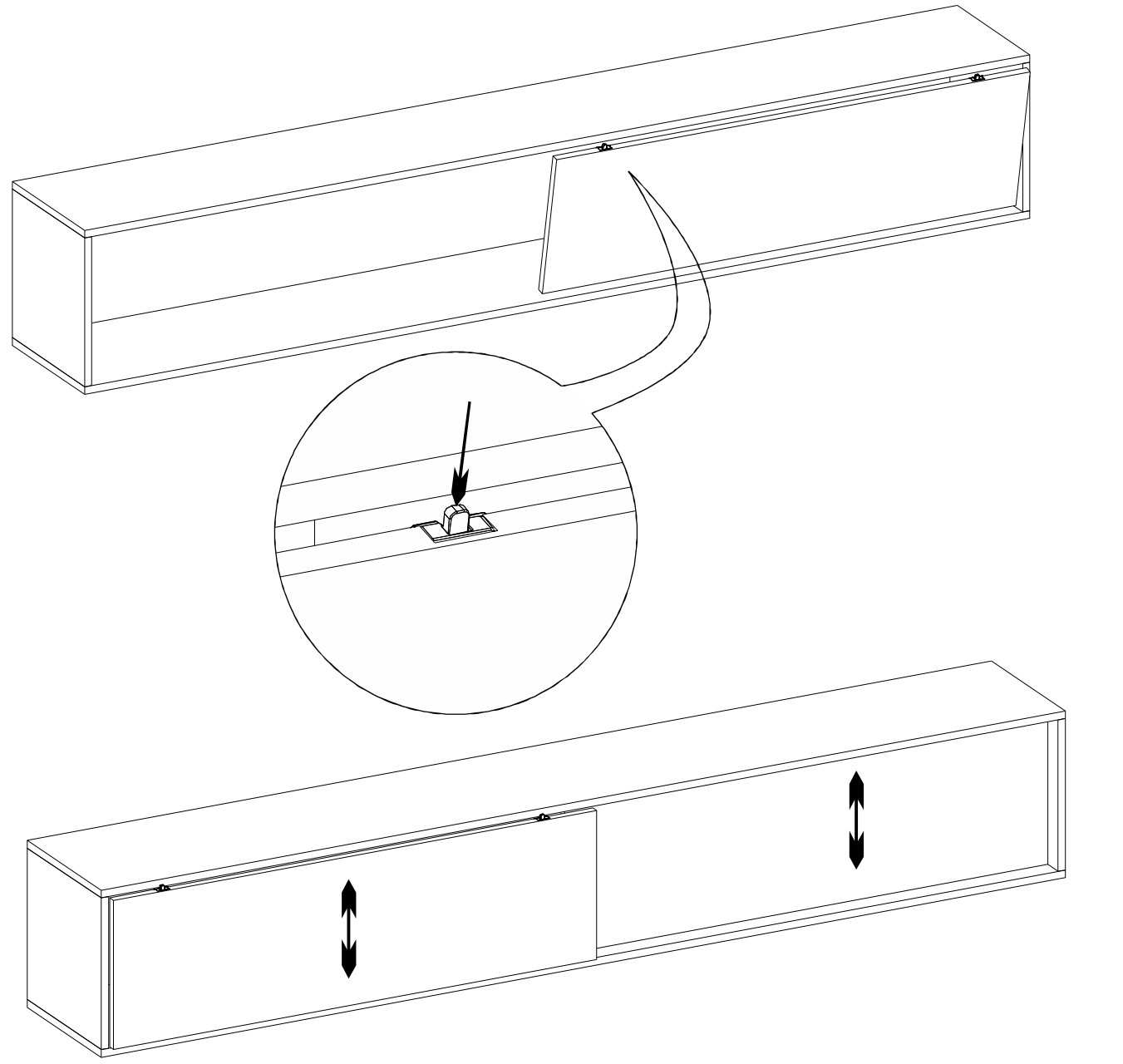
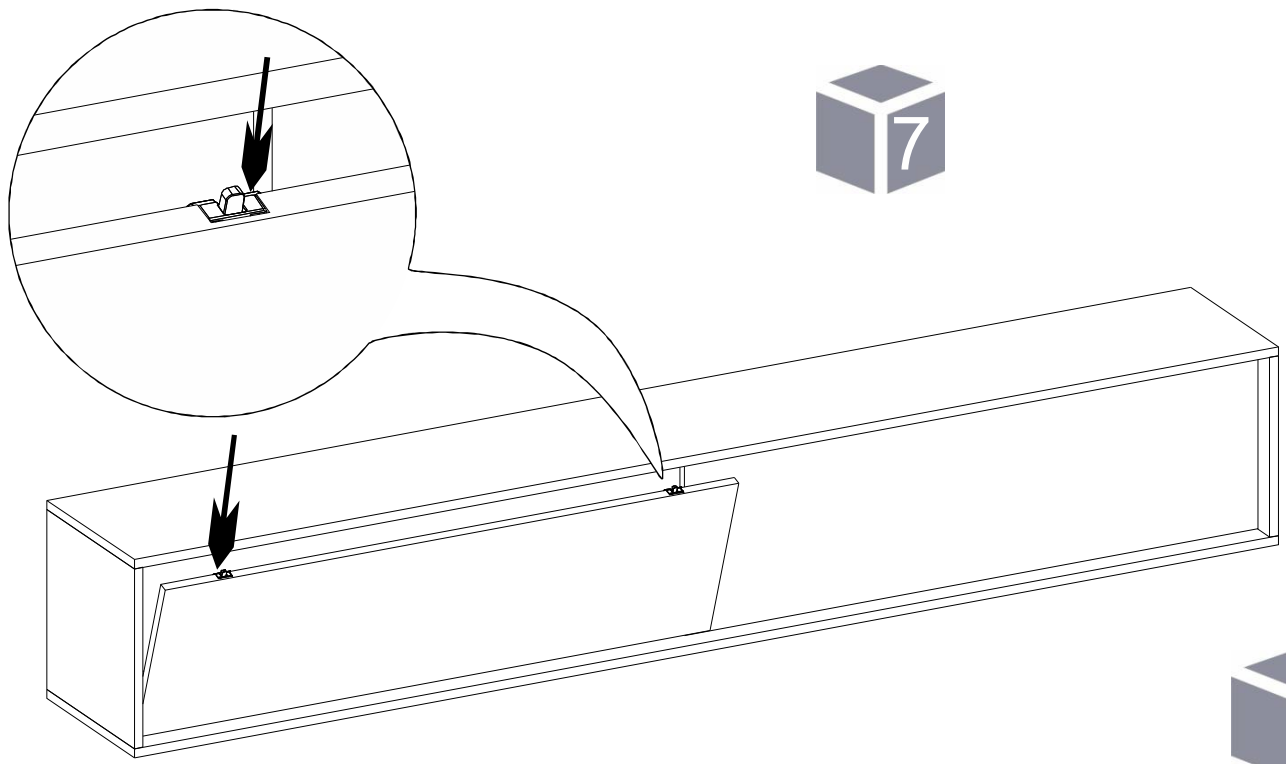


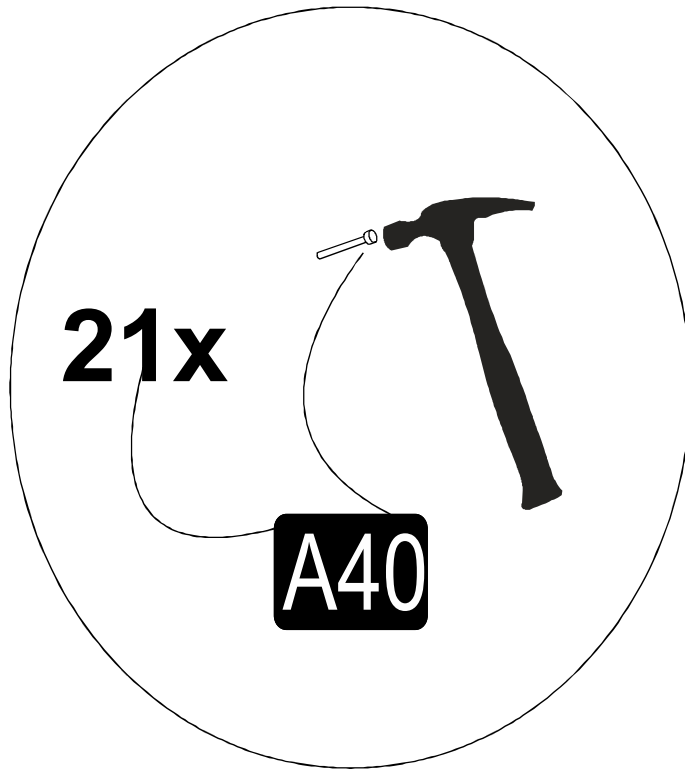
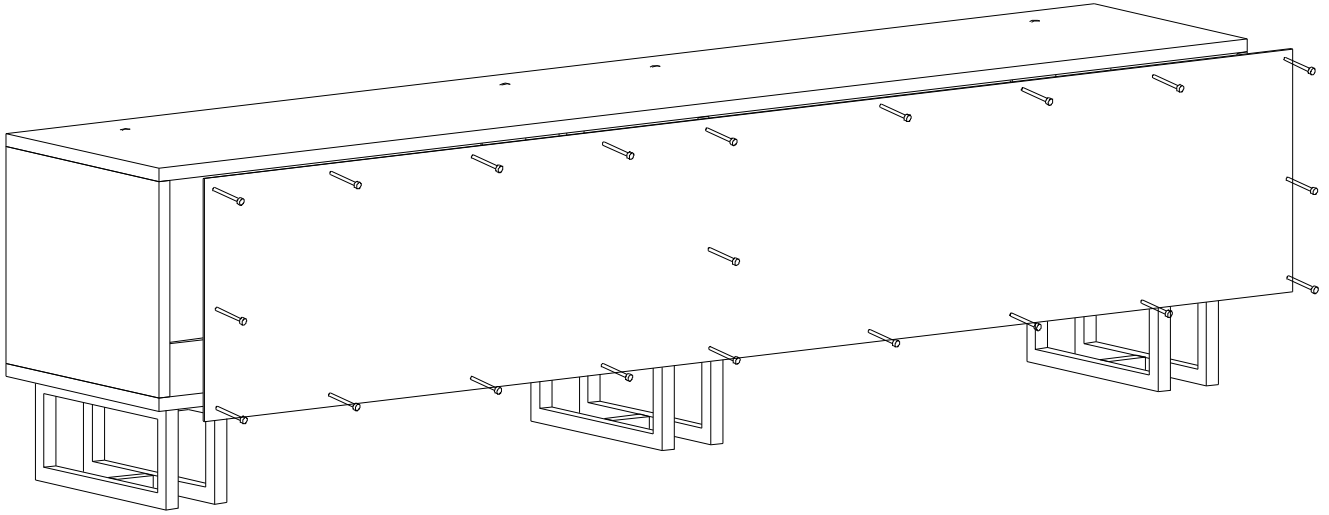
T25

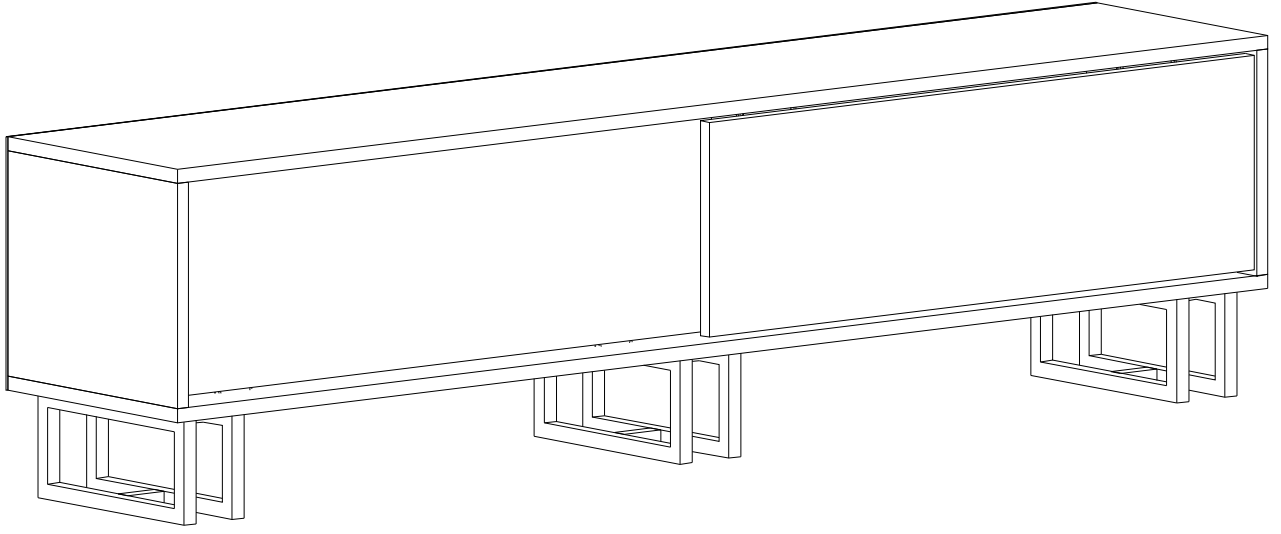




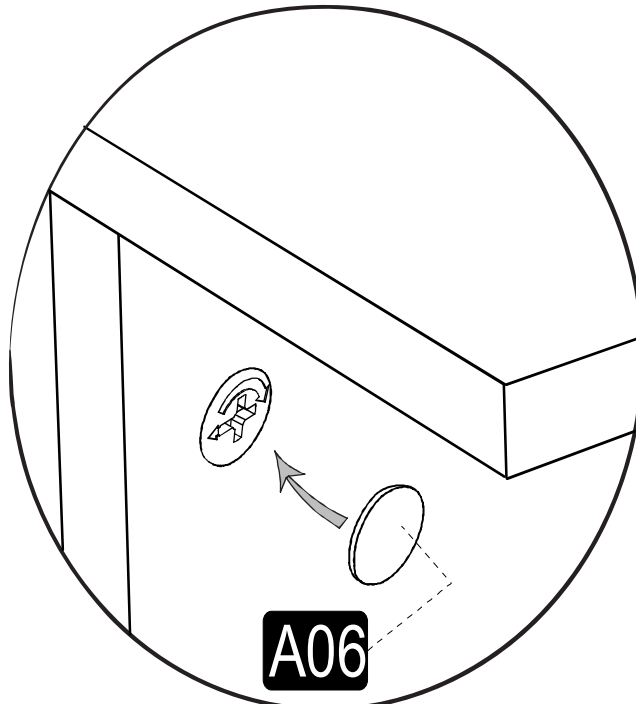






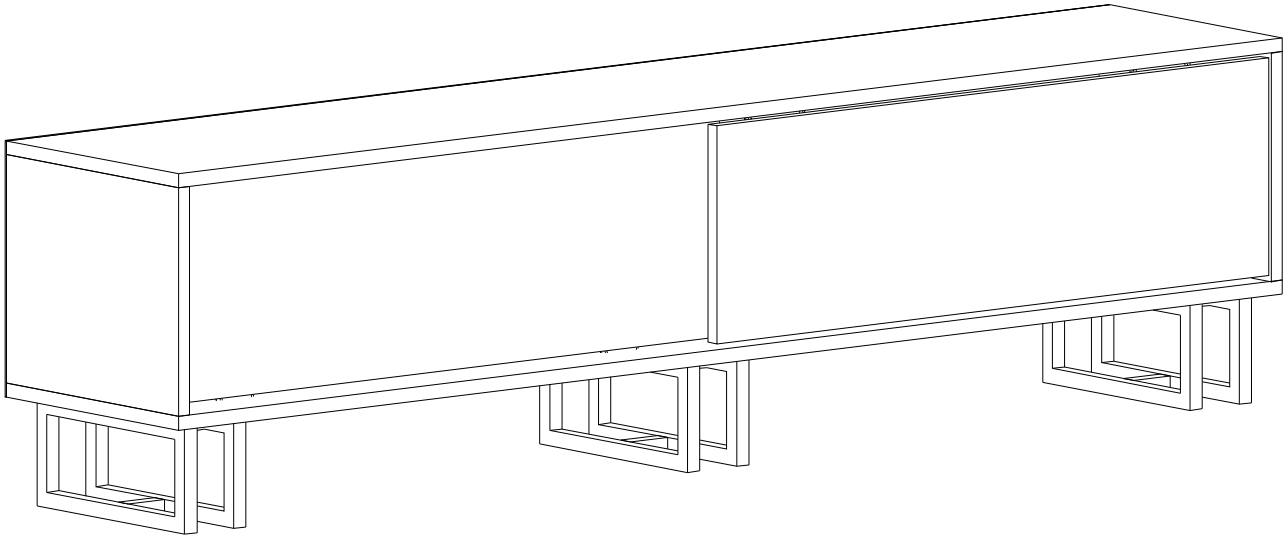


- 1 Kapaklara takılan alt tekerleri kanala yerleřtirdikten sonra üst izleyici mandalı ařađı çekerek üst kanala yerleřtiriniz.  
After placing the lower casters fitted to the covers into the channel, pull the upper follower latch down and place it in the upper channel
- 2 Tekerlek üzerindeki vida yardımı ile ařađı ve yukarı alarak kapak ayarı yapılır.  
With the help of the screw on the wheel, the cover is adjusted up and down.



final look

---



Enjoy your Decorotika product!

---

[www.decorotika.com](http://www.decorotika.com)



[www.decorotika.us](http://www.decorotika.us)