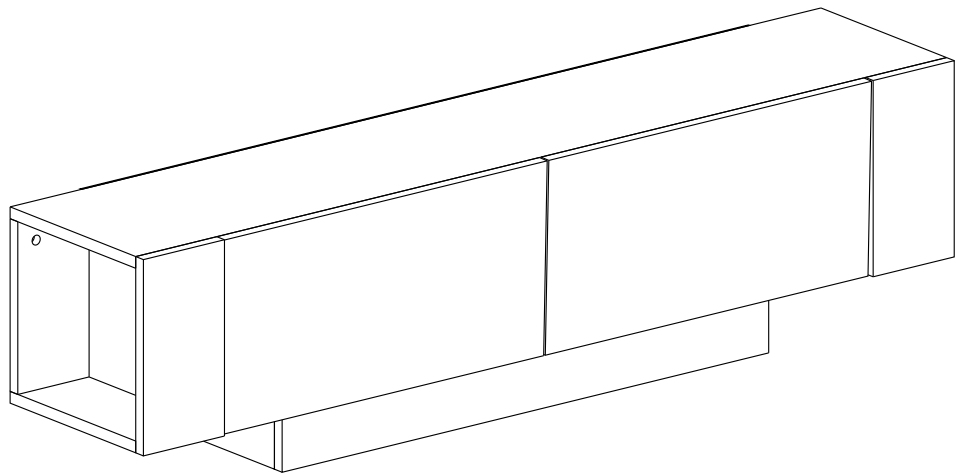
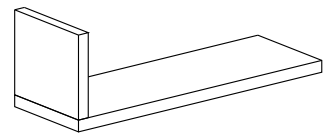
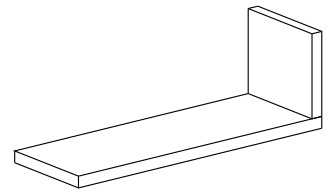


# DECOROTIKA



## Ekol TV Stand

assembly guide

# introduction



Before starting, please check all components and accessories according to the provided list. If you purchased more than one product, to prevent confusion, be sure that you completed the first product, then start the next one. Please make sure that you select correct numbered part and use specific connector to assemble. We do not recommend any modification or rotation in assembly. Please follow the manual carefully.

Furniture parts are going to several manufacturing procedures. During this process, parts can have little dust or marks. Please clean the parts with damp cloth before assembly to get the best result. Usual cleaning would be suffice.

Valued Customer,

We design and carefully manufacture our products for our customers, We wish that our customers to have fun while they are doing their new furniture

The product you just purchased was subjected to all sorts of tests and controls before sending out to you.

Hope you enjoy your new furniture!!!



Do not use your furniture for out of purposes. If you would like to use it out of purpose or would like to do some modification or rotation, please contact us for more details.

Please do not expose your furniture with excessive heat, cold and humidity because product can be affected negatively.

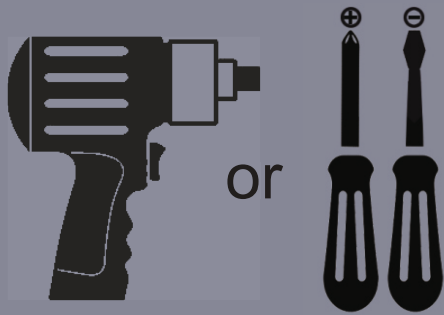
Although all products are carefully manufactured and packed, sometimes we experience damage during transportation. In such cases, please check the damaged part, note the part number written on the part and do not hesitate to contact us

[e-mail : sales@decorotika.com](mailto:sales@decorotika.com)

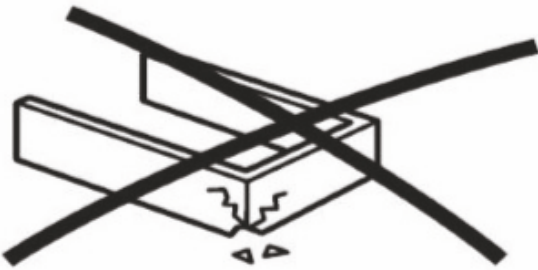
[The US Phone : +1 302 327 8923](tel:+13023278923) Working Hours: Mon- Fri (09 am - 05 pm)

[EUROPE Phone : +90 553 966 7517](tel:+905539667517) Working Hours: Mon- Fri (07 am - 05 pm)

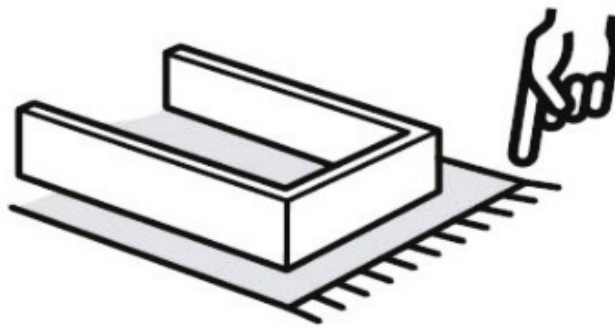
# before you start



Get required installation tools prepared.

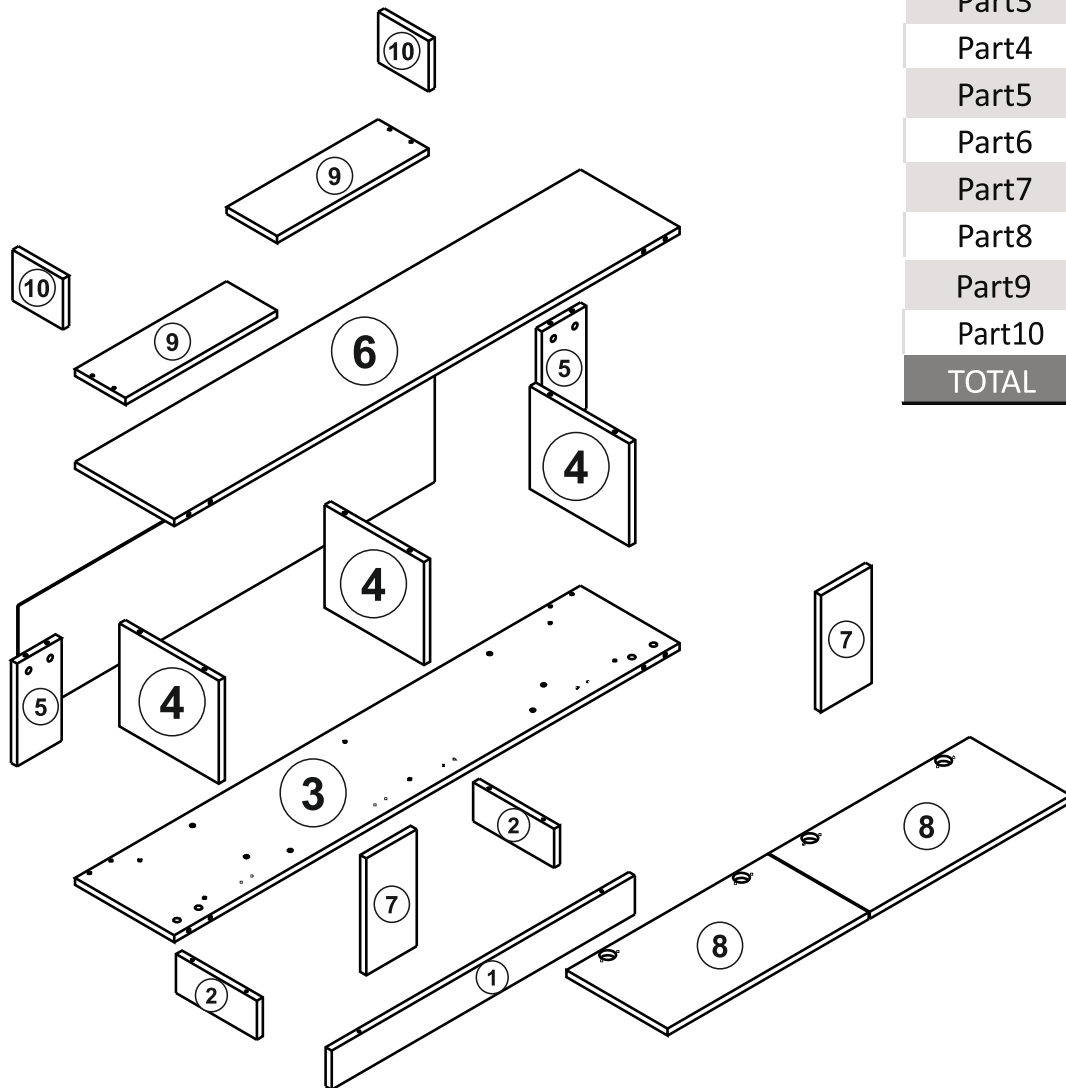


Do not install the product on rough surfaces.

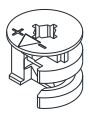
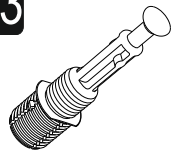
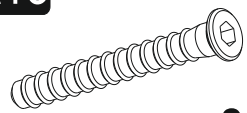
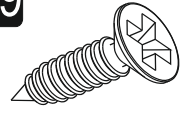

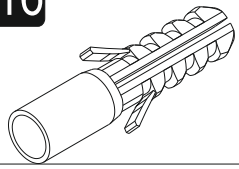
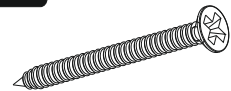
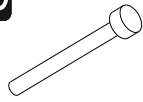
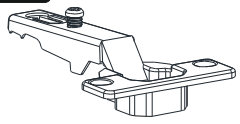
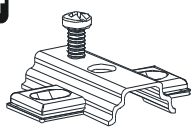
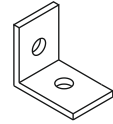


Get help from someone else!



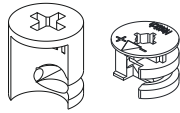


Part1	1x
Part2	2x
Part3	1x
Part4	3x
Part5	2x
Part6	1x
Part7	2x
Part8	2x
Part9	2x
Part10	2x
<b>TOTAL</b>	<b>18x</b>

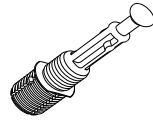
<b>A02</b> minifix head  <b>18x</b>	<b>A03</b> minifix screw  <b>18x</b>	<b>A13</b> 50 mm screw  <b>24x</b>	<b>A09</b> 3.5x18 mm screw  <b>16x</b>
<b>A06</b> 18 mm sticker  <b>42x</b> <small>c 1</small>	<b>A16</b> rawlplug Ø8  <b>4x</b>	<b>A33</b> 5x70 mm screw  <b>4x</b>	<b>A40</b> nail  <b>20x</b>
<b>C01</b> bracelet d1  <b>4x</b>	<b>C04</b> pivot  <b>4x</b>	<b>A35</b> -L- bracket  <b>4x</b>	

# getting familiar with the main components

\*Minifix is the main connection component used in Decorotika products. Before starting, please check the below figures

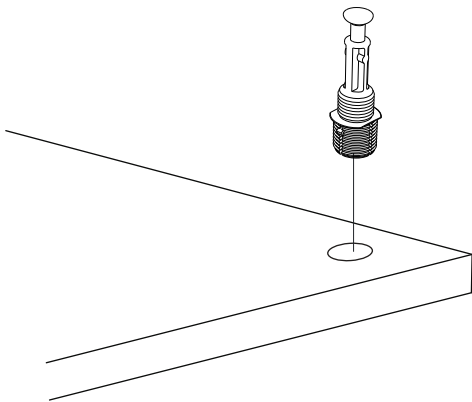


MINIFIX  
HEAD

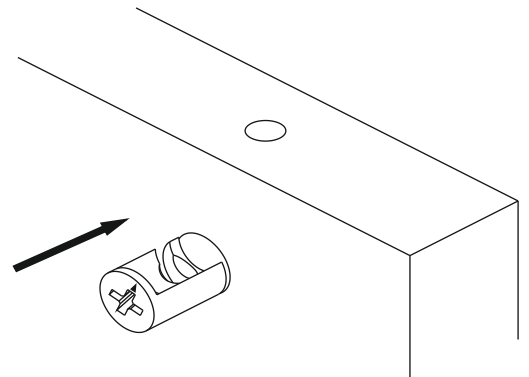


MINIFIX  
SCREW

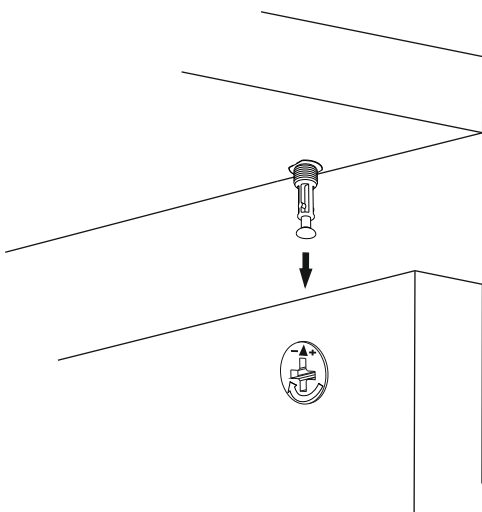
\*Please insert A03 (minifix screw) as shown below.



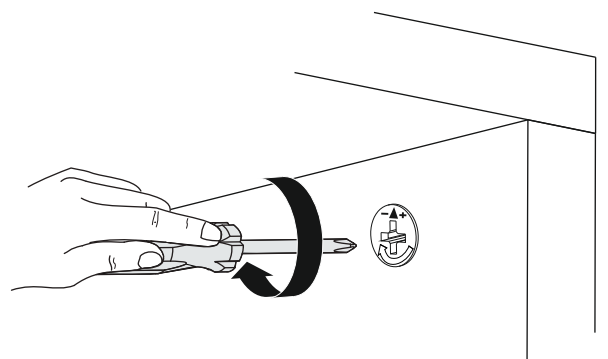
\*Please notice that there is an small arrow on A02 (minifix head). This arrow should show the direction of upper hole.



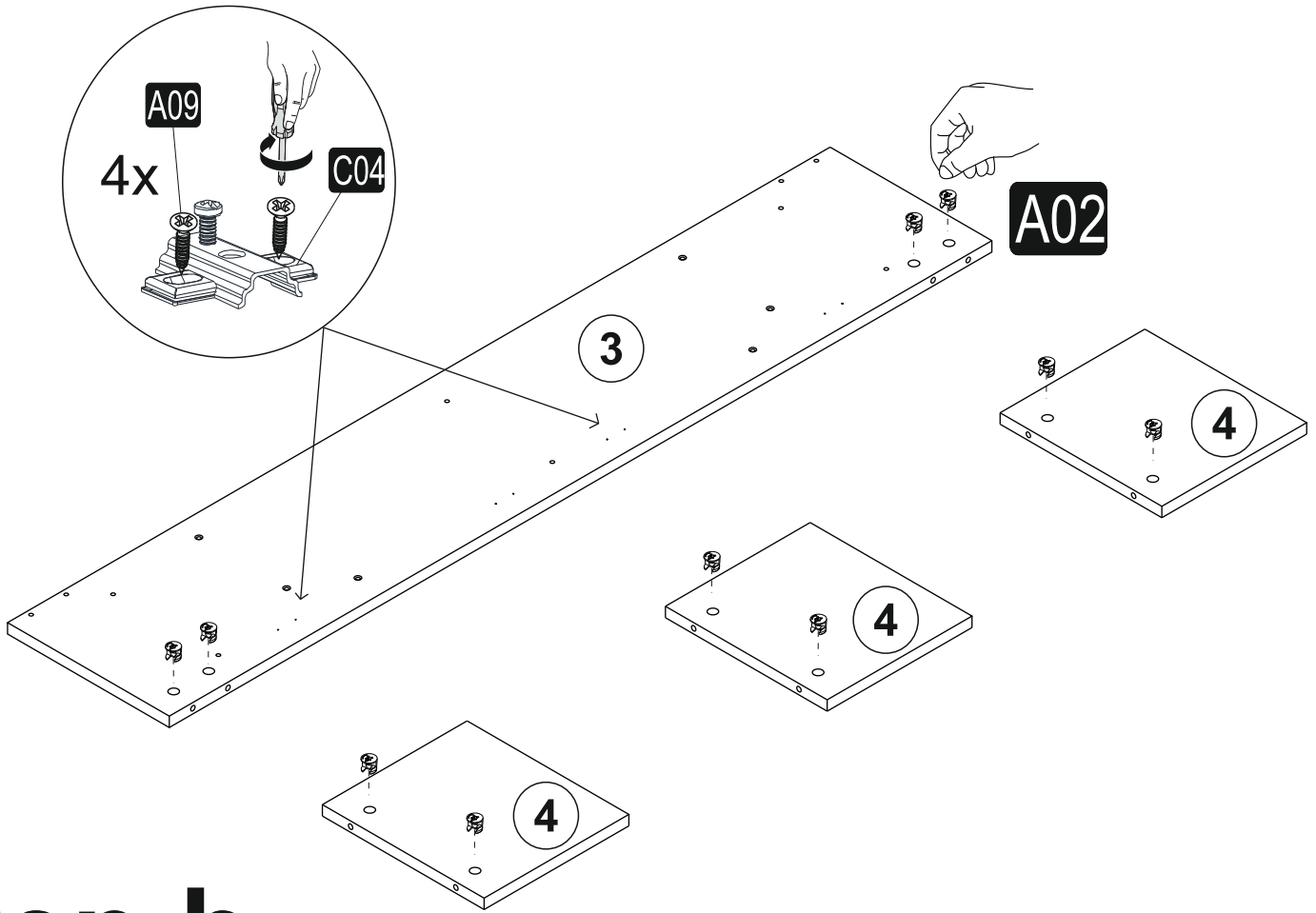
\*After attaching two pieces please turn the A02 (minifix head) clockwise direction just a half tour with the help of a screwdriver.



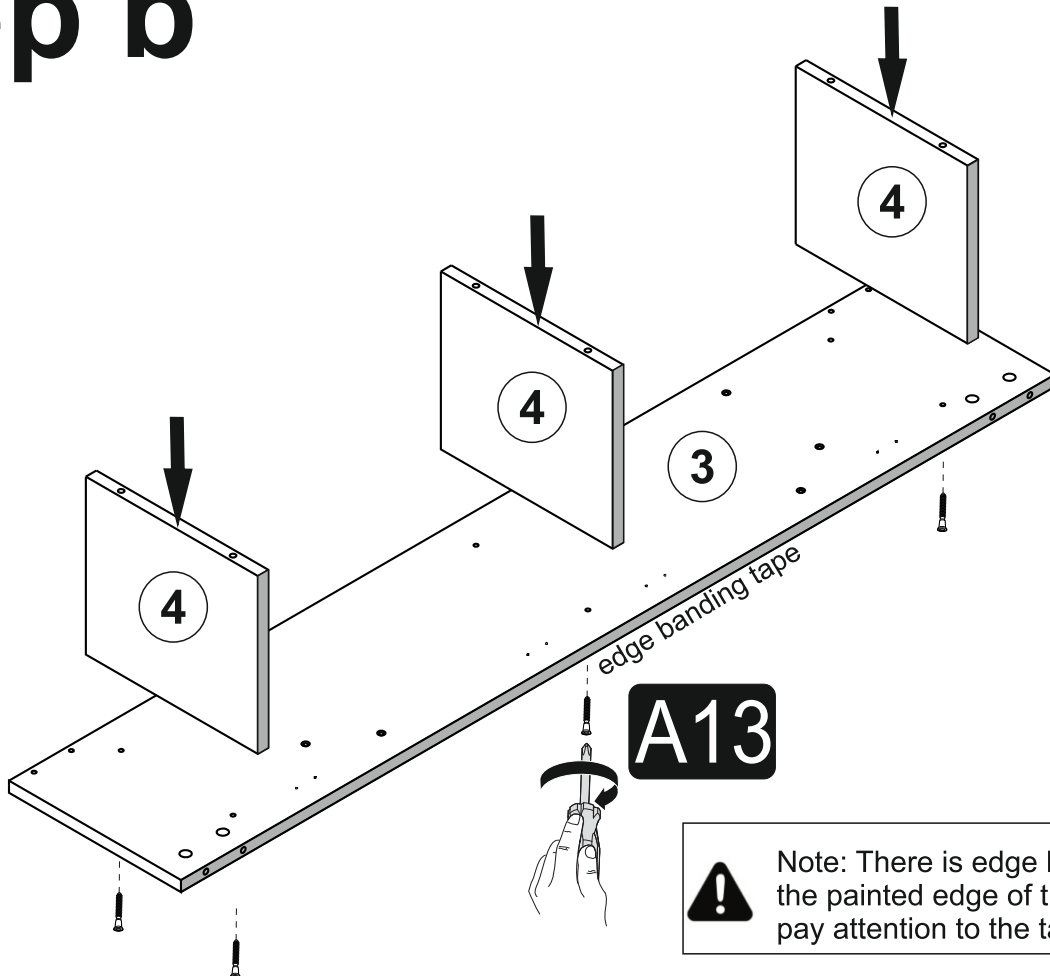
\*Please do not over screw the piece since it may broke if too much power is imposed. Just make sure that it is screwed to the direction “+” do not go any further.



# step a

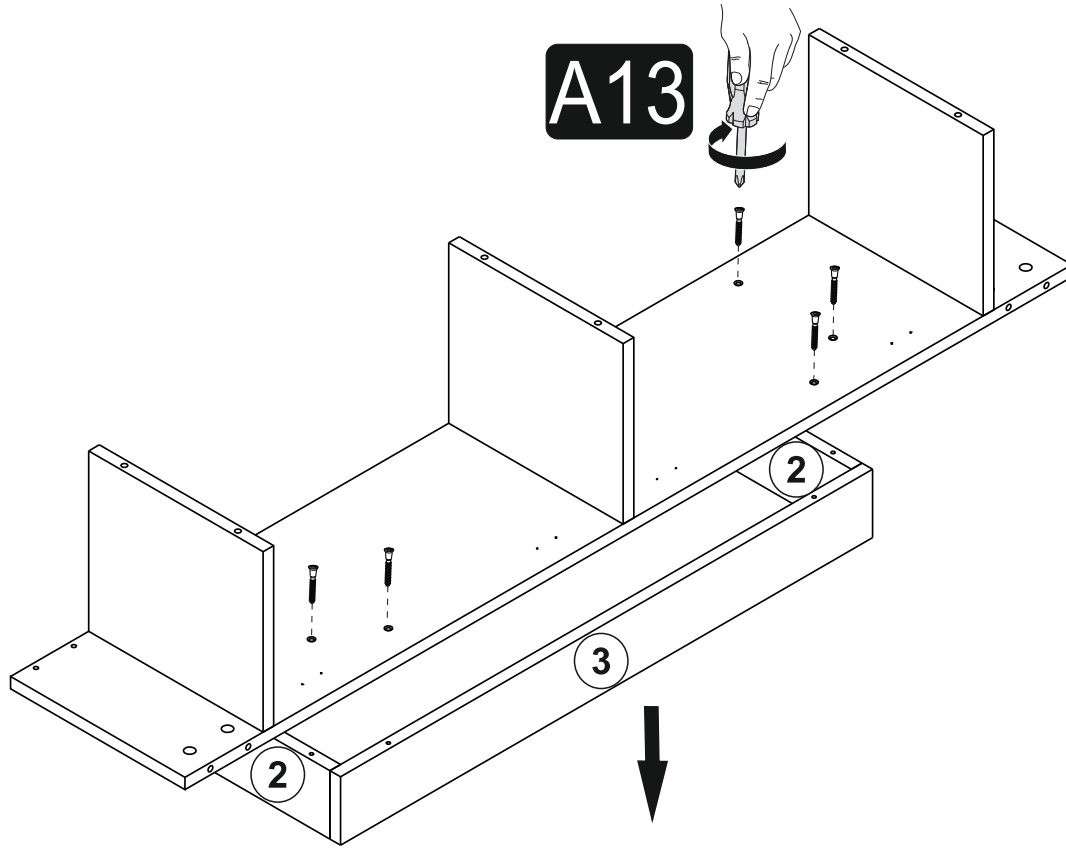


# step b

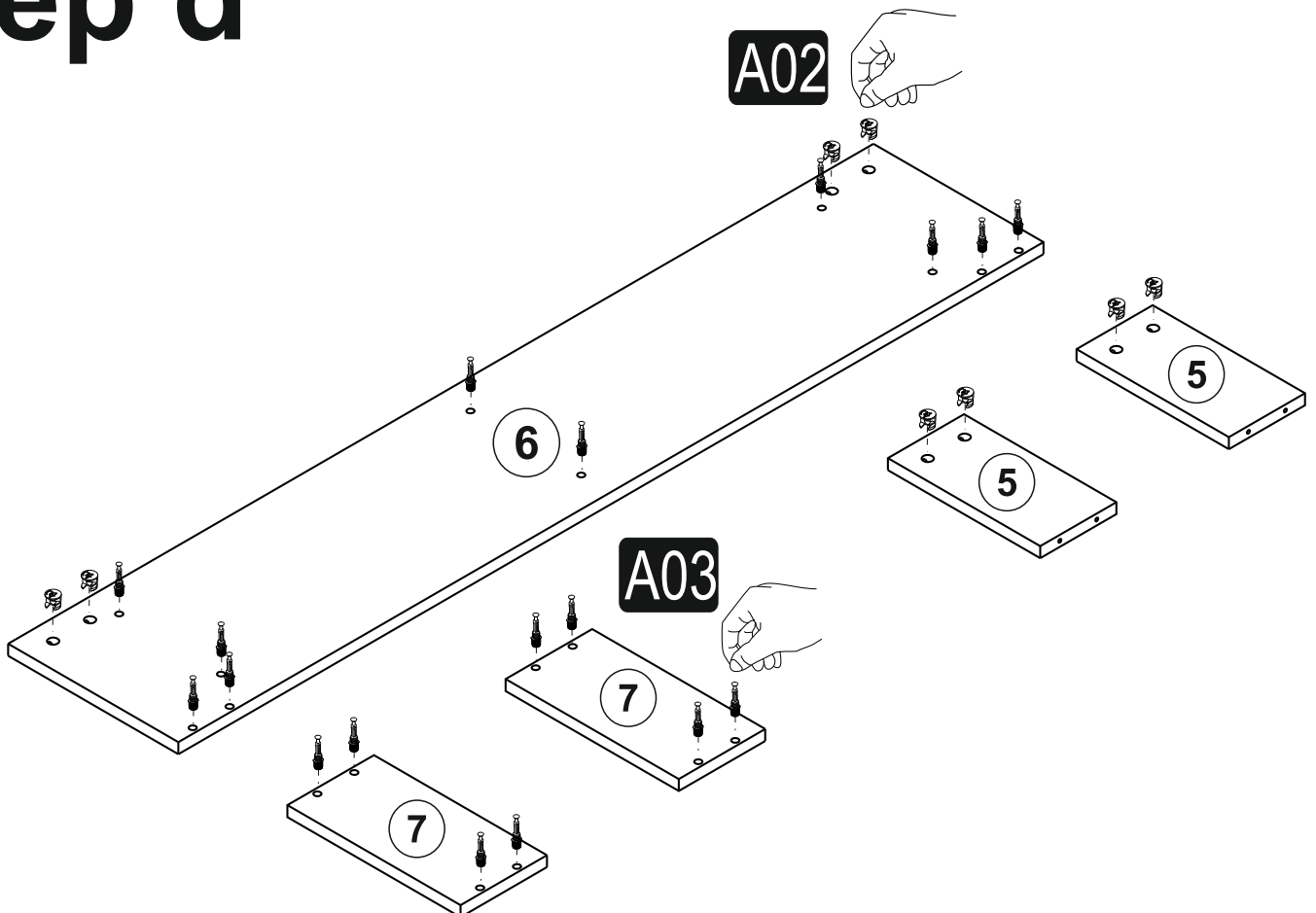


**!** Note: There is edge banding tape on the painted edge of the boards. Please pay attention to the taped edges.

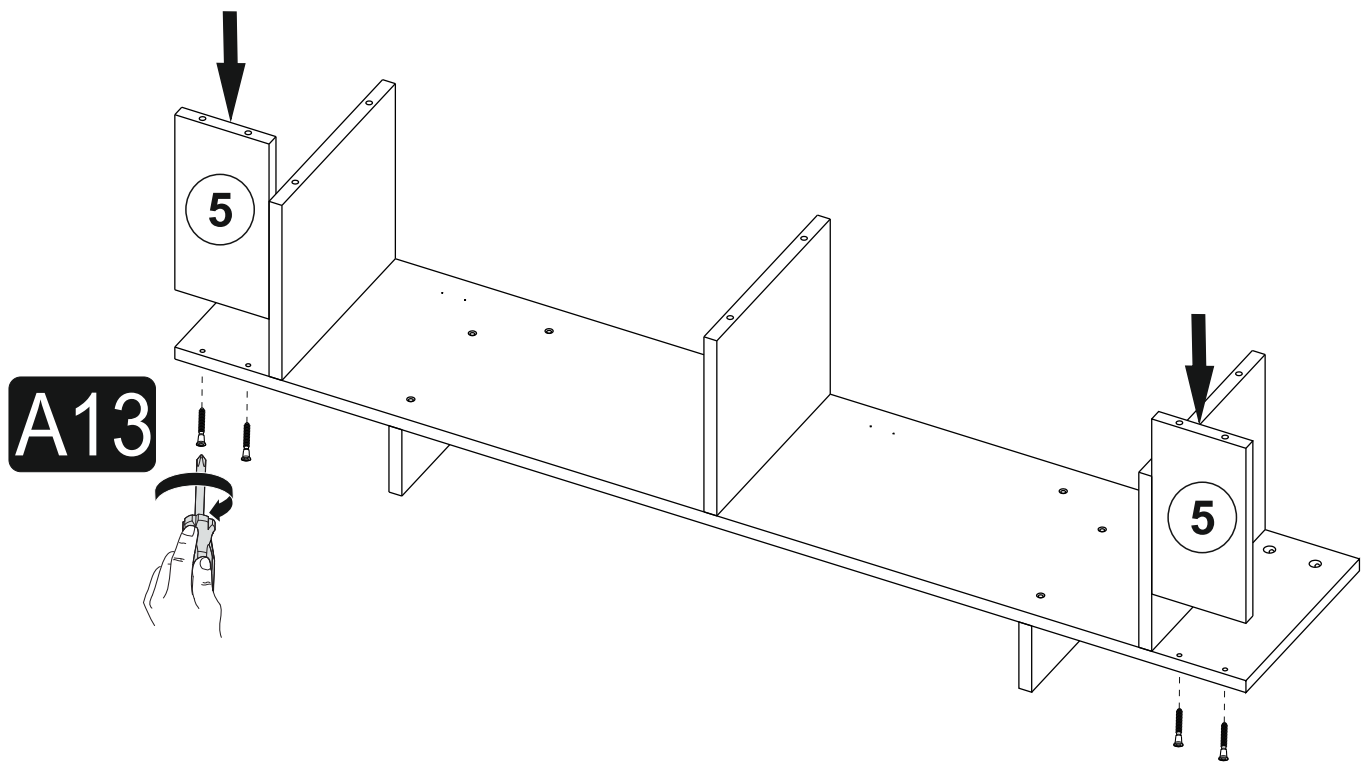
# step c



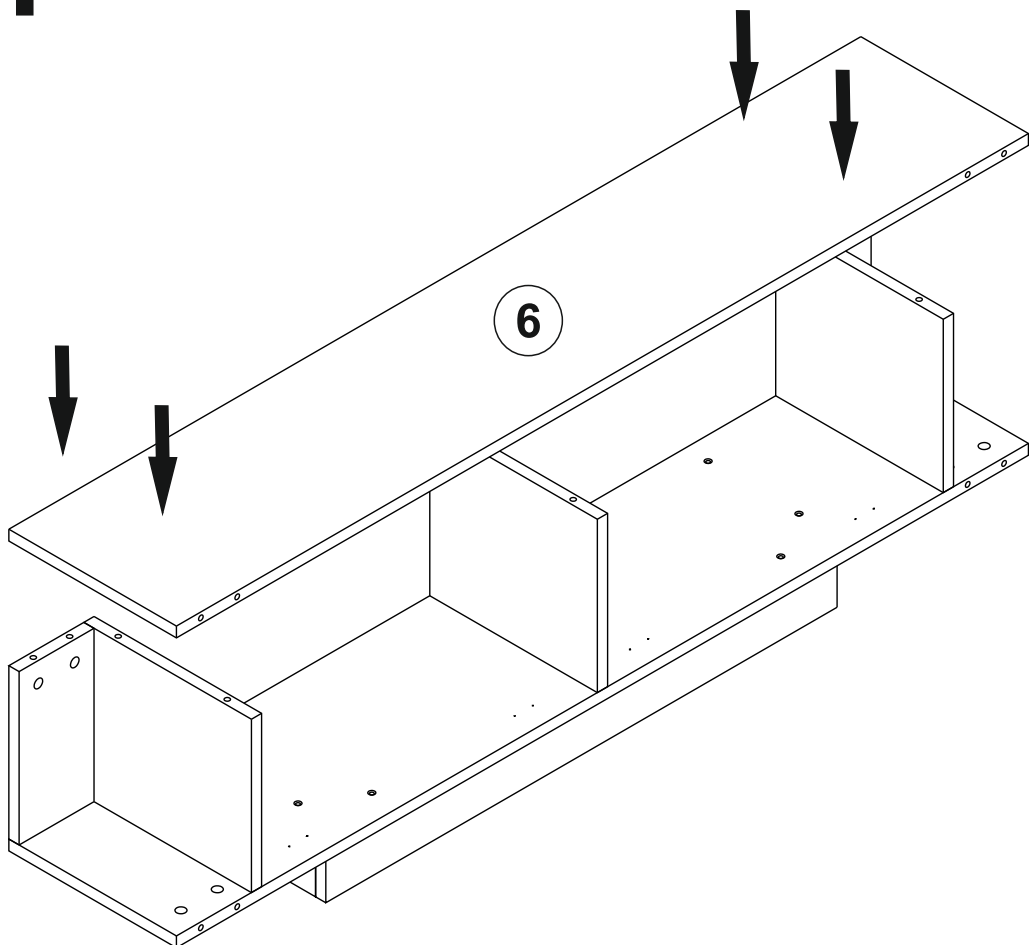
# step d



# step e

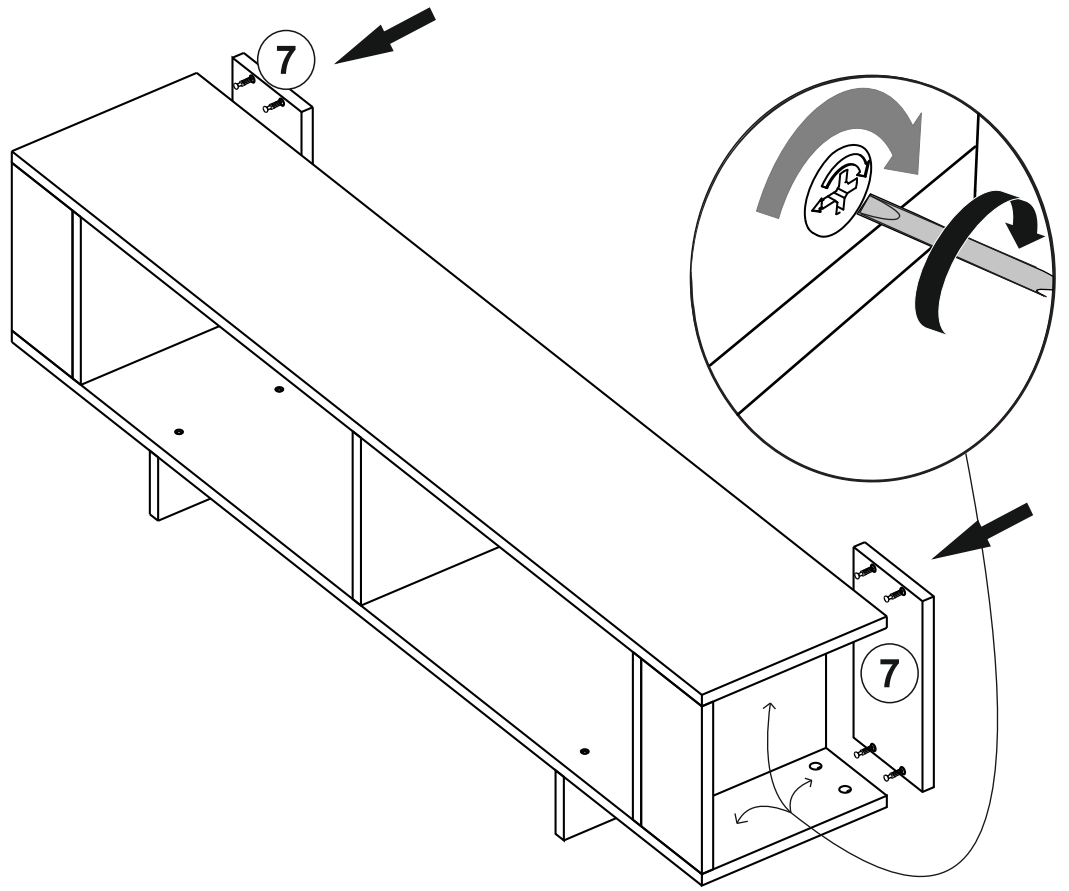


# step f





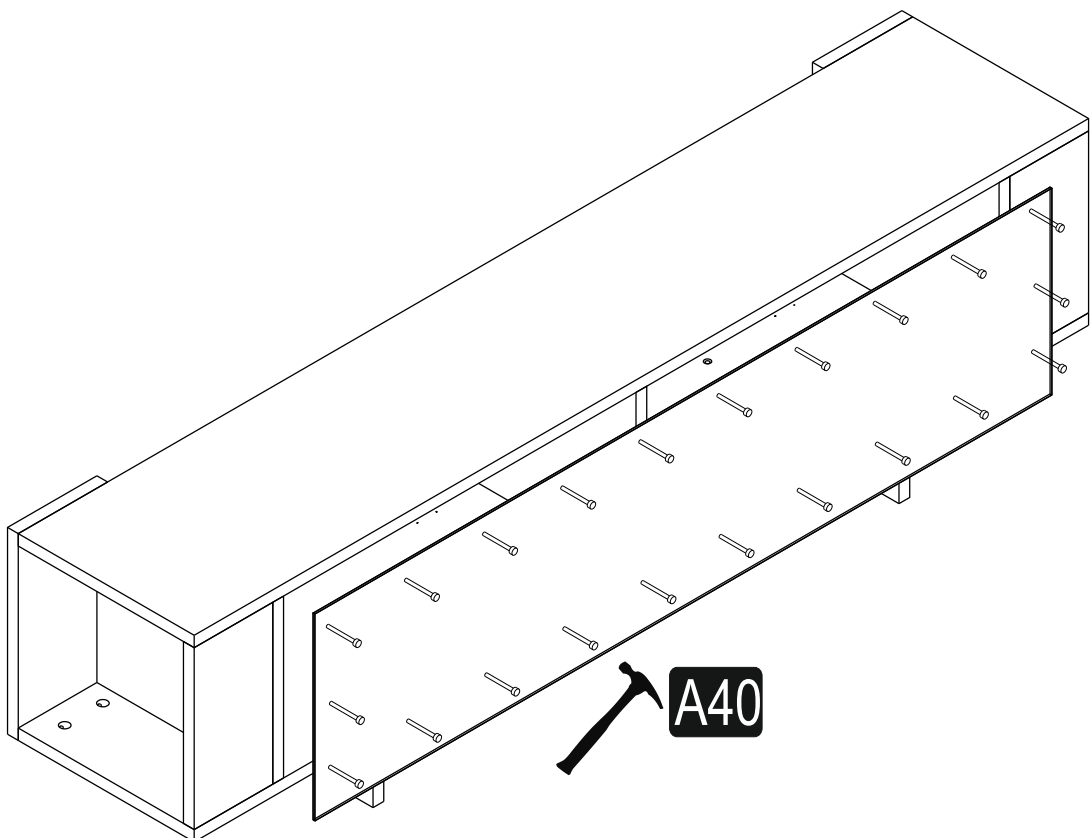
# step g



# step h



Please do not neglect installing the back panel of the tv stand. Installing the back panel will both make your tv stand sturdier and look better.



# step i

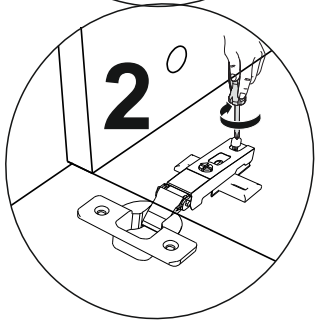
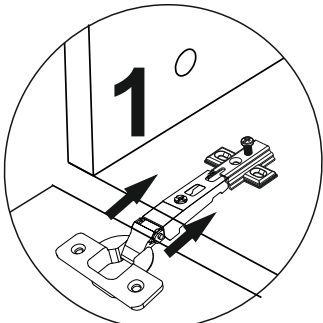
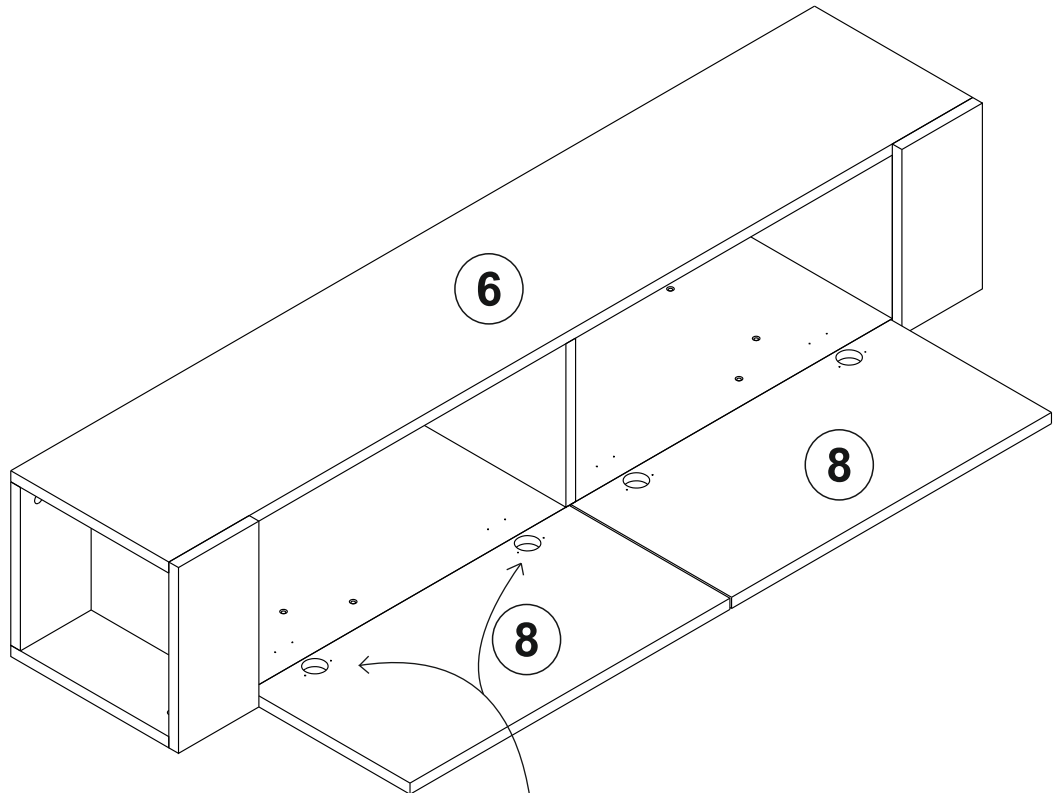
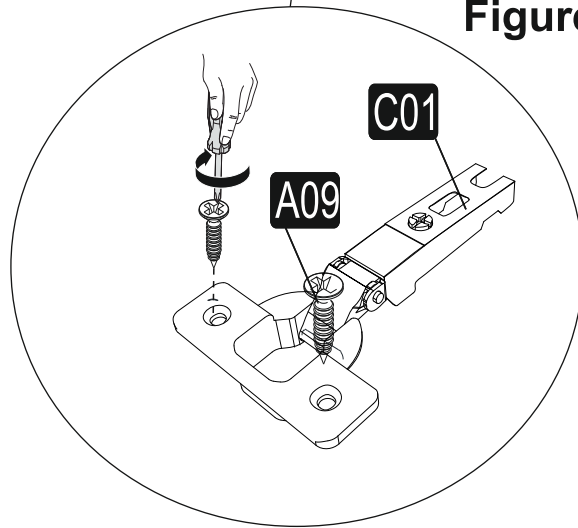
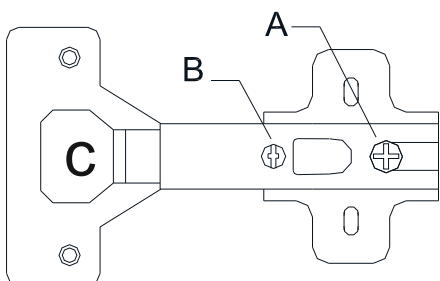


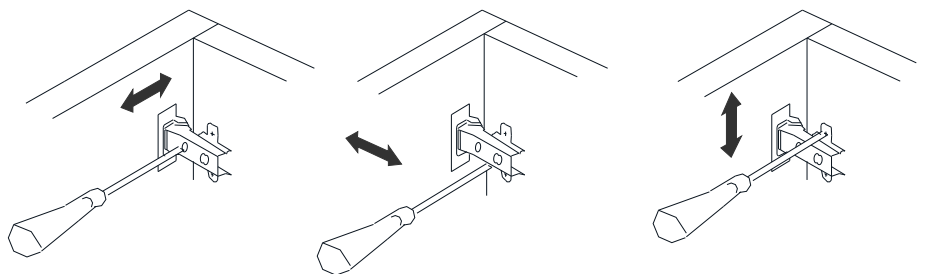
Figure 8-1



## Hinge Detail Figure

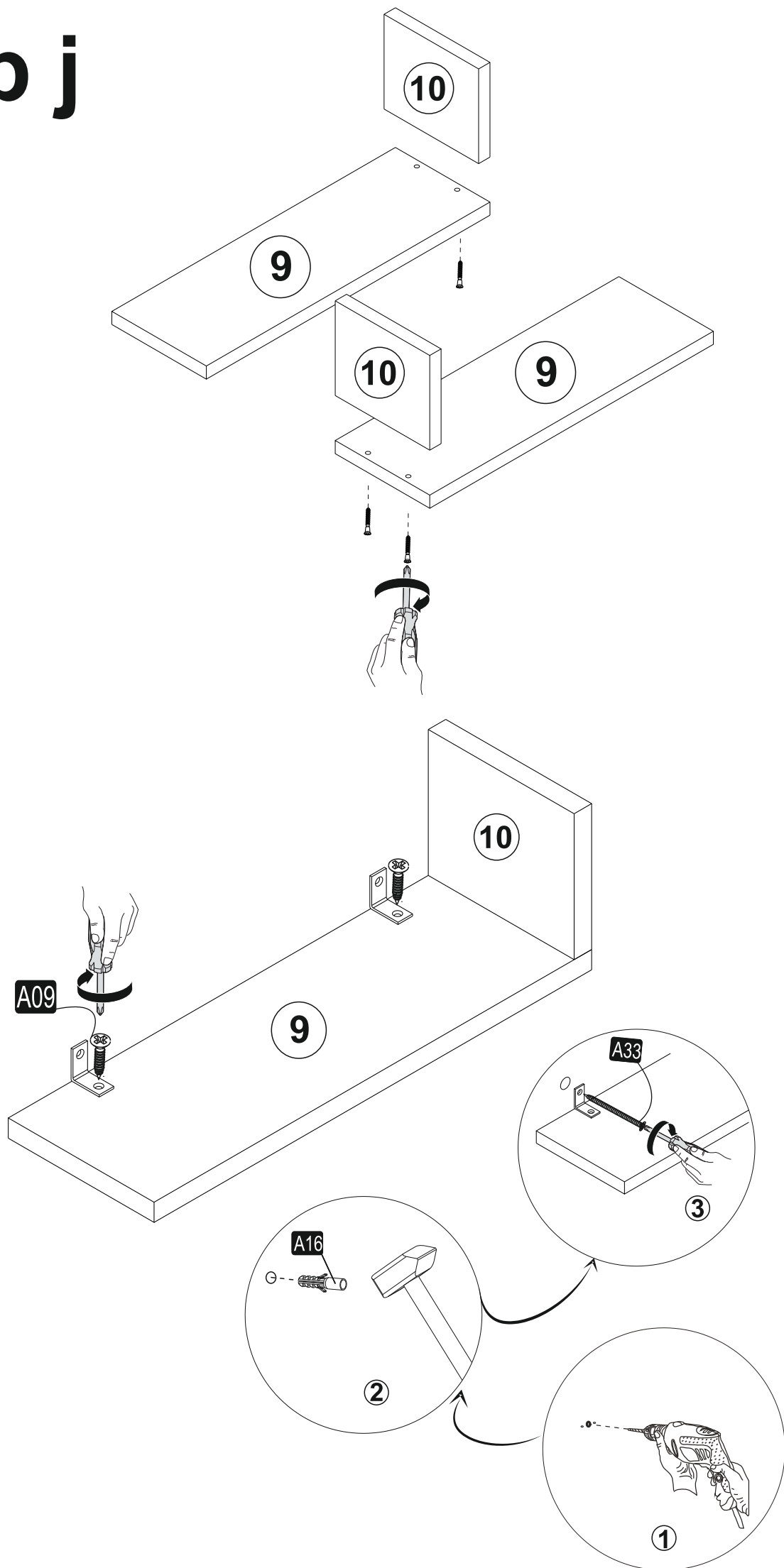


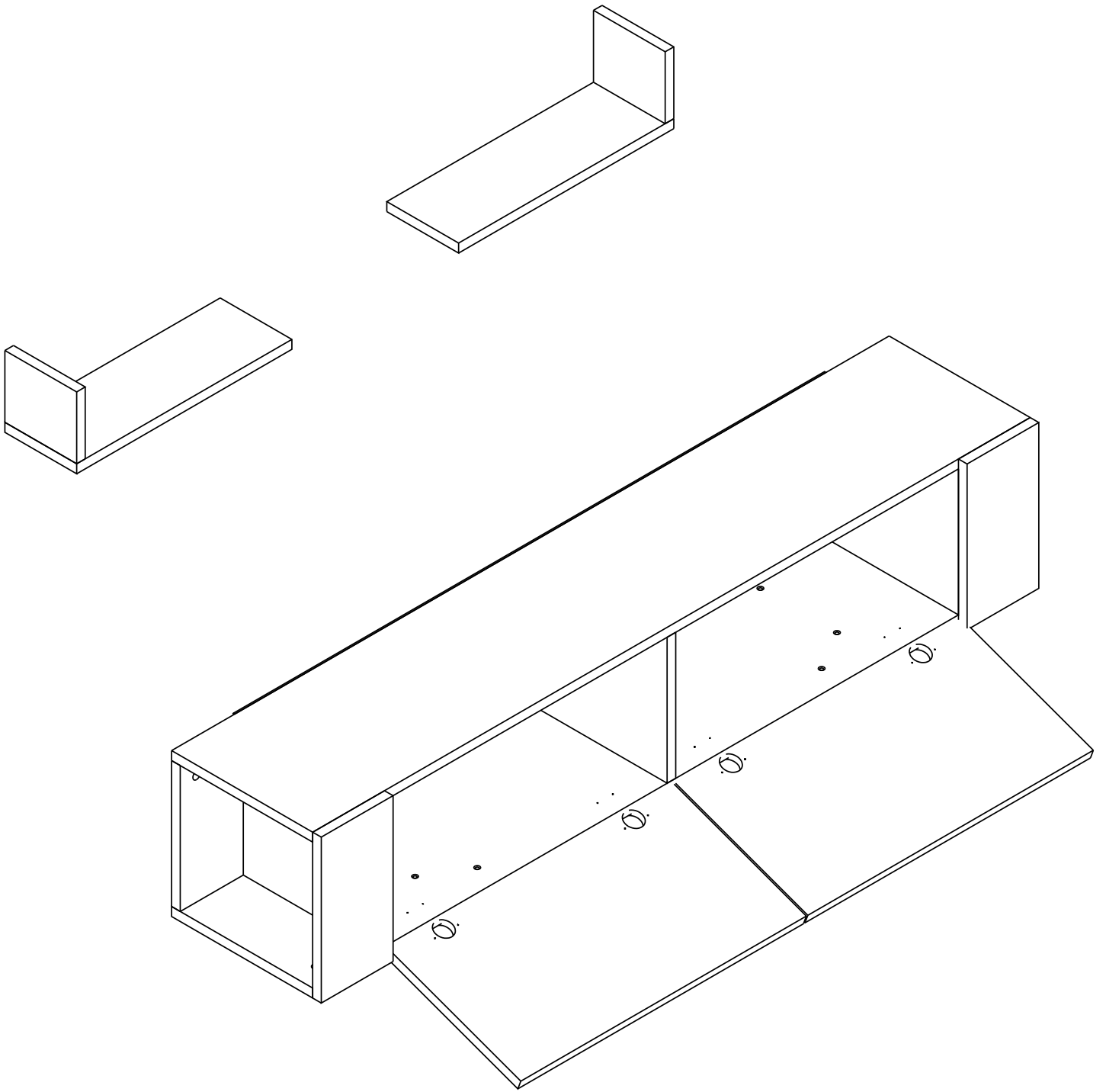
- C= Body of the hinge
- A= to connect the hinge to the door
- B= to align the door



arrows to show the directions for arrangement of doors.

# step j





[contact@decorotika.com](mailto:contact@decorotika.com)



[www.decorotika.us](http://www.decorotika.us)  
[www.decorotika.com](http://www.decorotika.com)