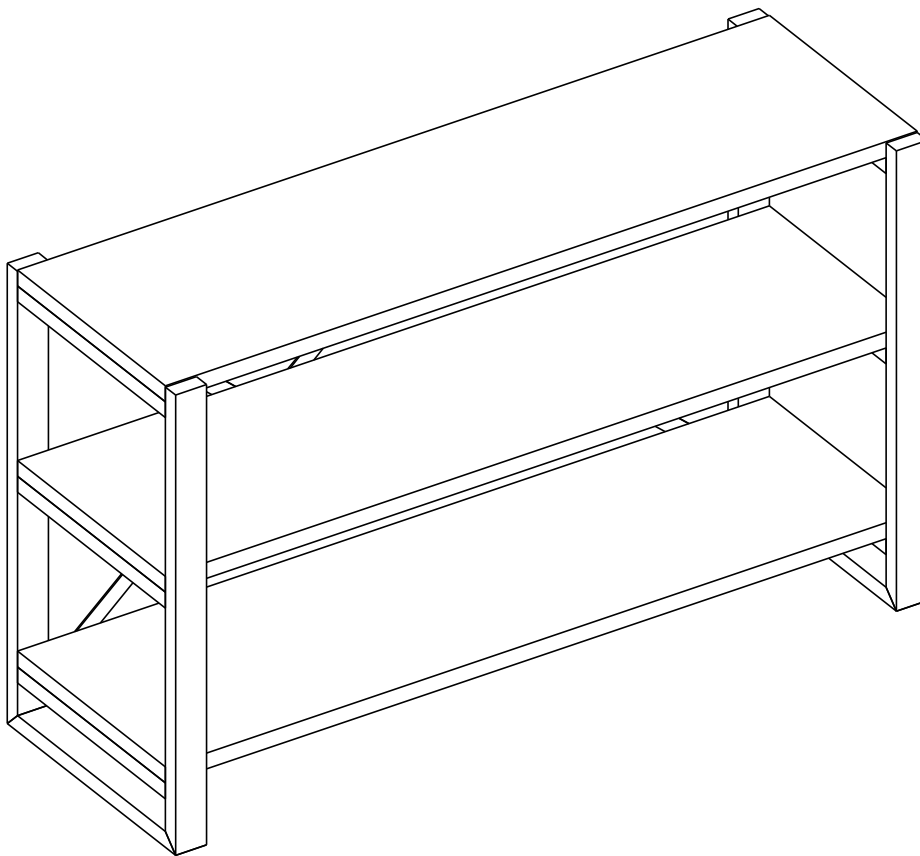


TV STAND

Assembly Instruction



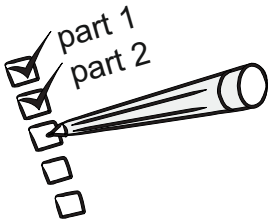
www.decorotika.us



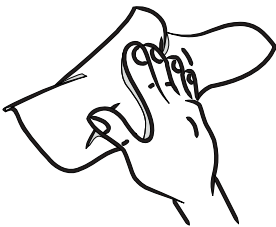
Dear Customer,

We design and produce our products for people to love and have fun with them as we do.

The product you bought was subjected to all sorts of tests and control before sending out to you.



Before start assembling, please check the whole components and accessories according to the lists. If you bought more than one product, to prevent confusion be sure that you completed the first product. Then start the other product's assembling.

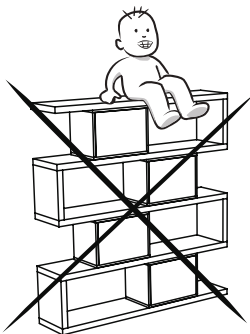


Before start assembling, please clean all the components with a damp cloth. Also for usual cleaning, this will be enough.



Although all the products are produced and packed carefully, sometimes happen that some component is damaged during the transportation. In such a case please check the missing or damaged part and do not hesitate to contact us.

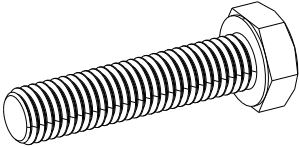
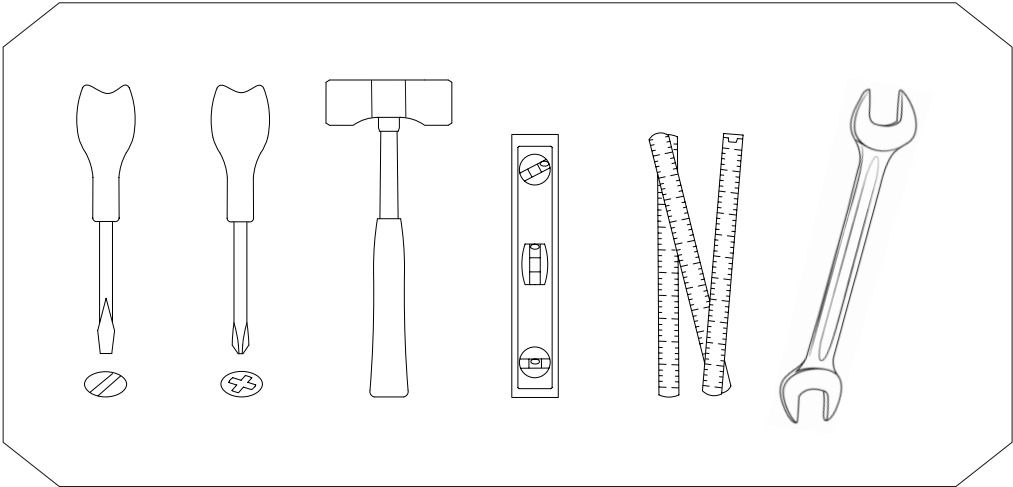
Telephone number:(201)282-1510



Do not use your furniture for out of purposes. If you would like to use it, please contact us for further questions.

Do not directly contact your furniture with excessive heat, cold and humidity because the product can be affected..

Recommended Tools

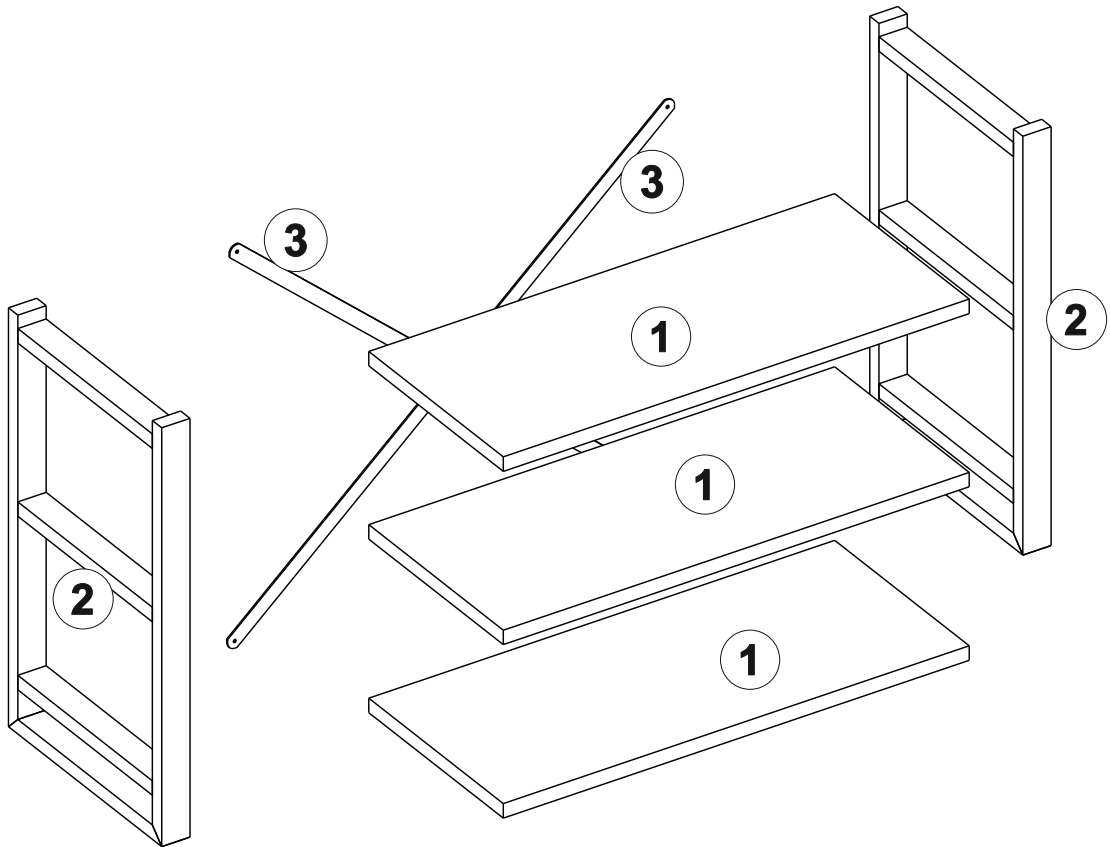


A01

4x

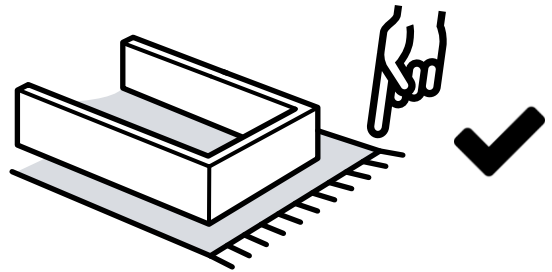
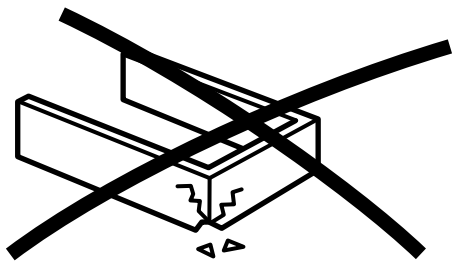
Part#1	3x
Part#2	2x
Part#3	2x
<hr/>	
Total	7x

Disassembled Parts

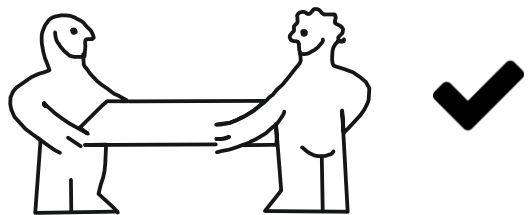
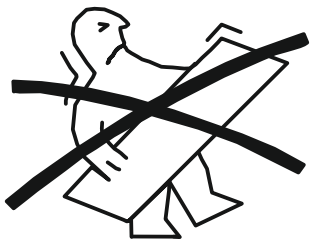




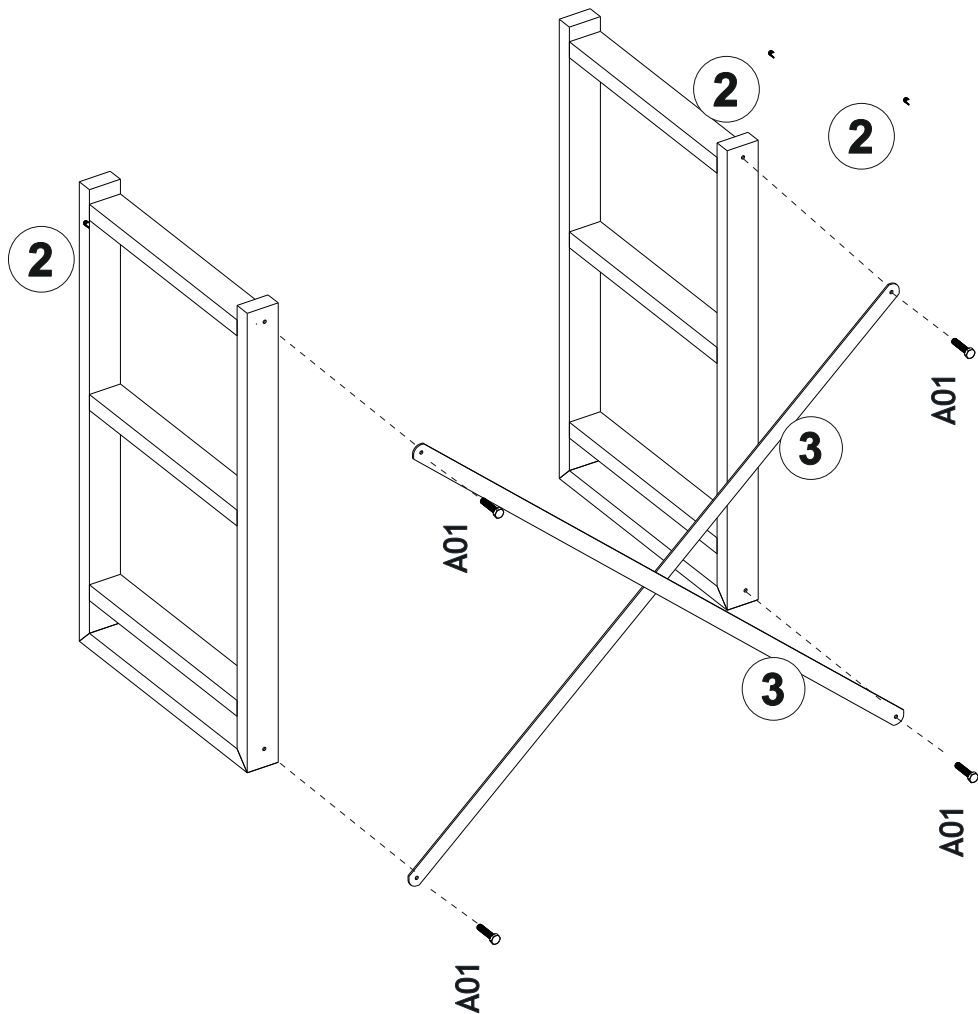
Do not install the product on rough or rough surfaces!



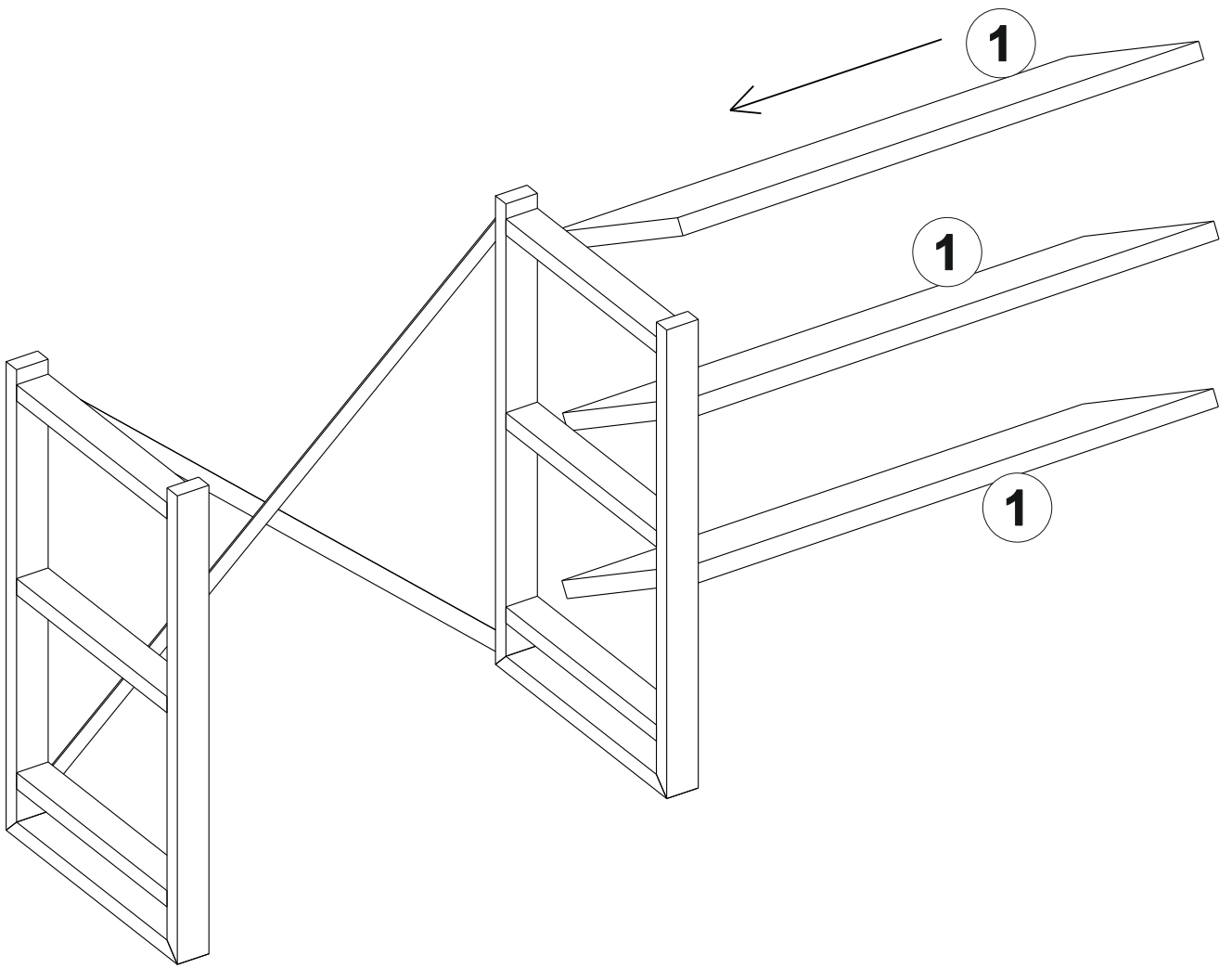
Get help from someone else!



1



2



5