

# LOVER TV STAND

Our dear customer...

All of our products have been passed through controls and tests every step of the way from the design process to the delivery process so that you can enjoy your products and use them for a long time.

Before starting the installation, remove all parts from the box and check according to the installation guide. If you have bought more than one product, do not install the parts and accessories in order to install them.

Clean each piece with a damp cloth before beginning assembly. This cleaning process will be enough for general use of the product.

If the products are carefully checked and packaged, but you encounter a problem during shipping, you can check the required parts and contact us if there is a problem. The problem will be resolved free of charge as soon as possible.

You should not use your furnitures outside of purpose. Please contact us if you are considering different usage.

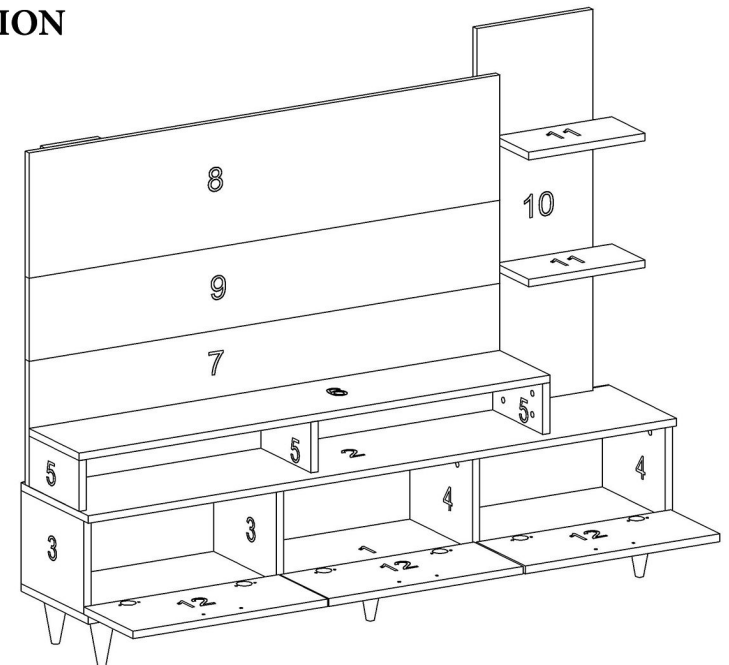
The furnishings can be damaged directly when they come in contact with cold, hot and humidity. For this reason, prevent your furniture from touching these factors.

Thank you for choosing us...

## INSTALLATION GUIDE



## DESCRIPTION



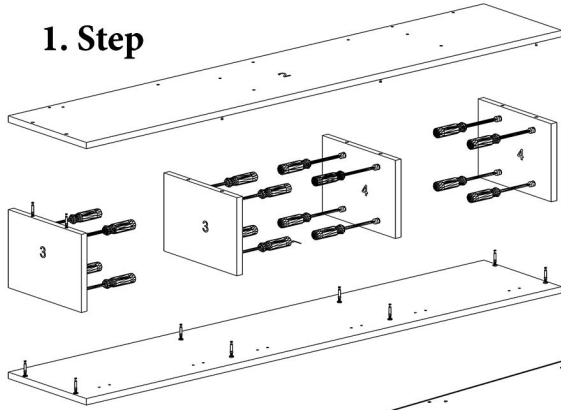
# ACCESSORIES LIST

3x16 Screw	3x30 Screw	6x80 Screw	Nail	White M Label	Walnut M Label	White S Label	Walnut S Label
							
70 units	13 units	9 units	50 units	16 units	26 units	6 units	7 units

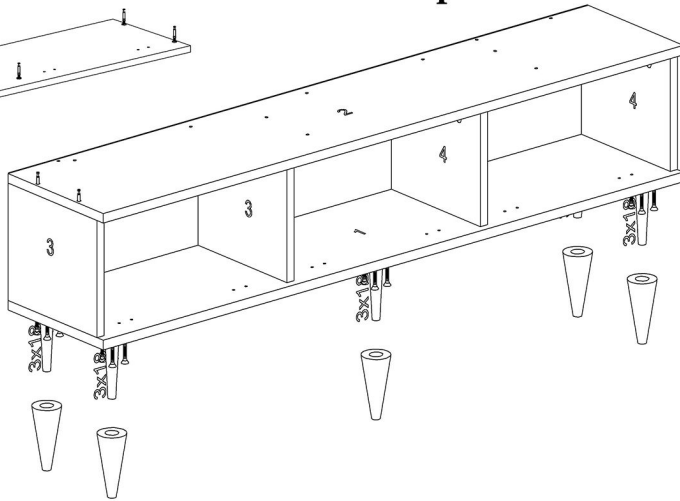
  

96mm Handle	20mm Handle Screw	Allen	Short Minifix	Long Minifix	Kaveley	Super Hinge	Leg
							
3 units	6 units	1 unit	24 units	4 units	36 units	6 units	5 units

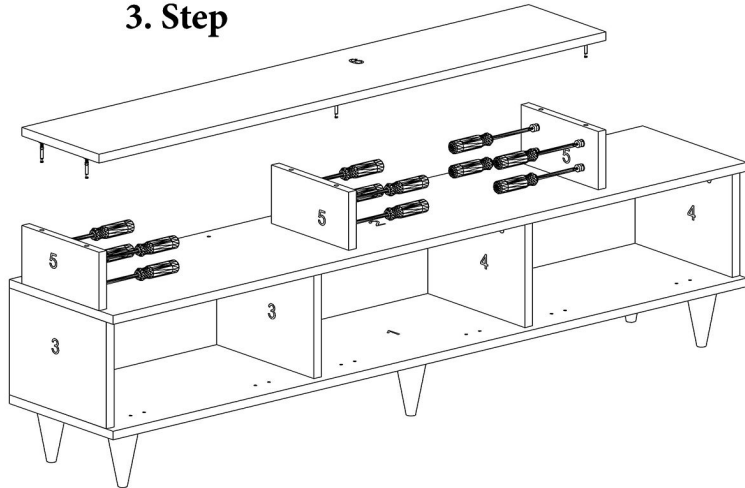
1. Step



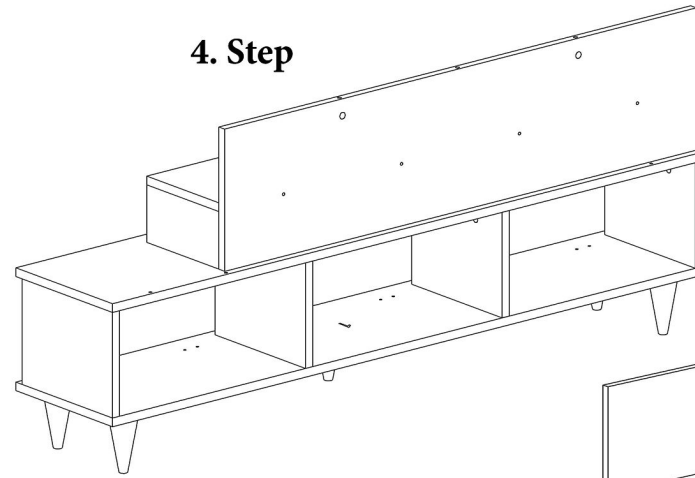
2. Step



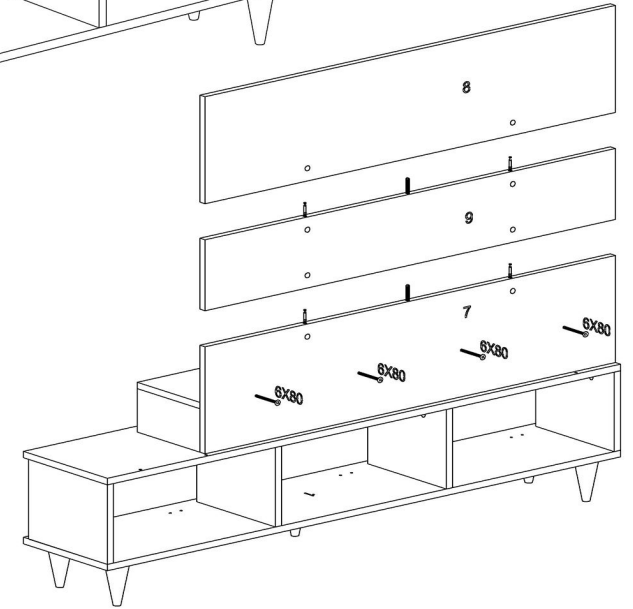
3. Step



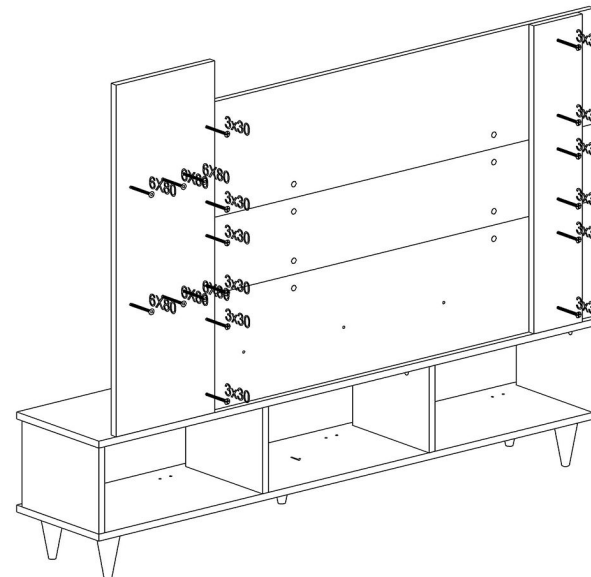
4. Step



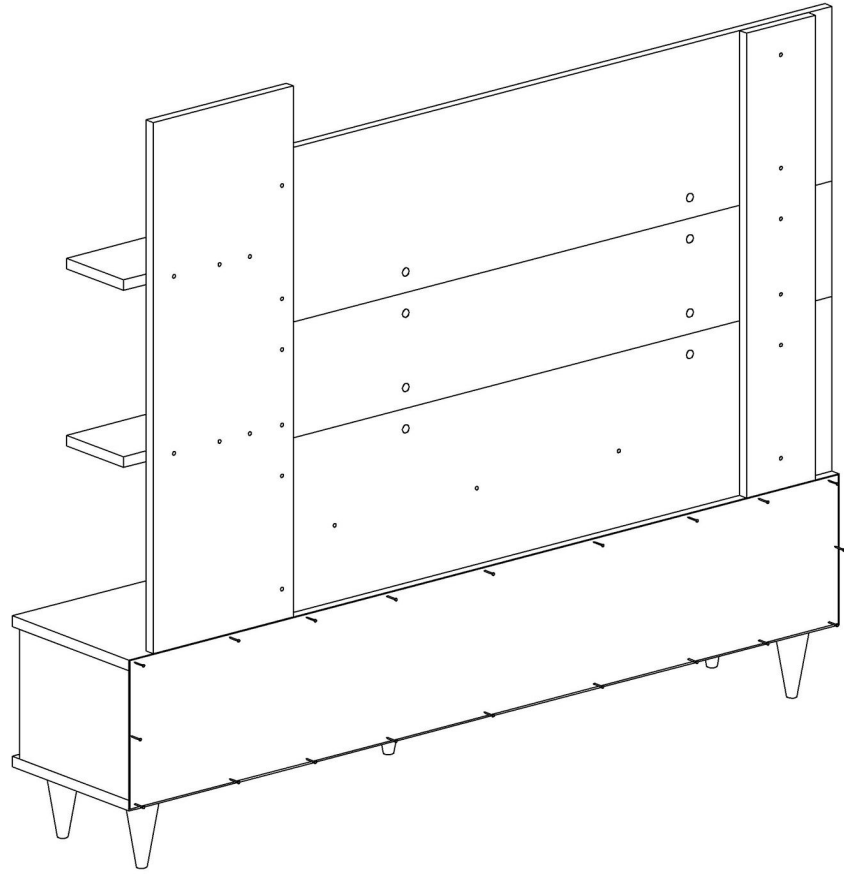
5. Step



6. Step



## 7. AŞAMA



## 8. AŞAMA

