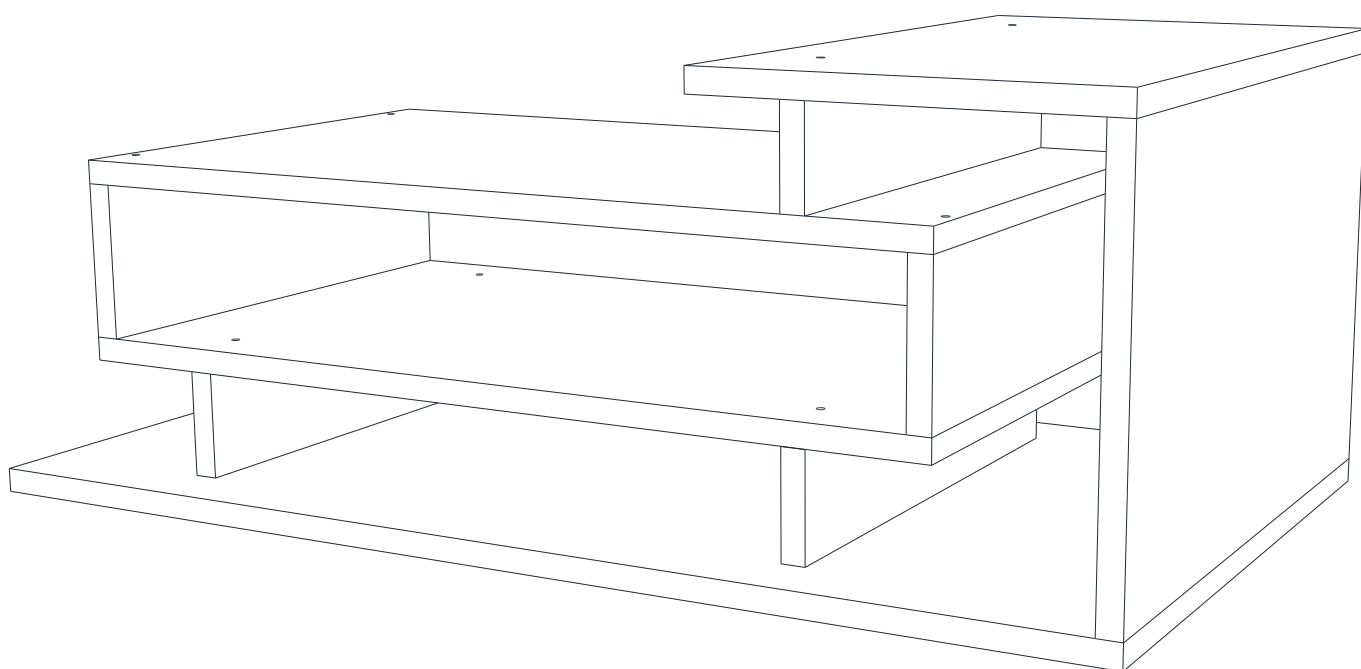
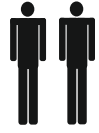


# SPRING

---

## ASSEMBLY MANUEL



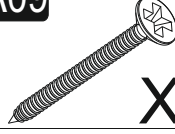



This unit should be assembled by two persons.

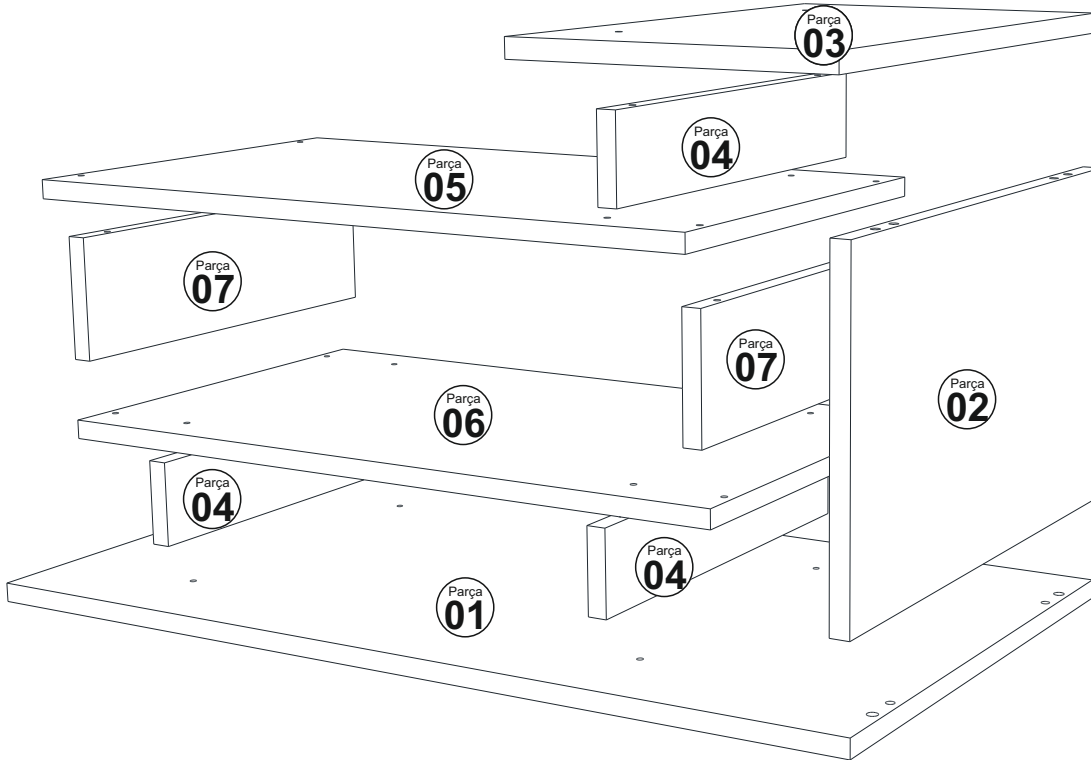


The necessary tools (not included)

## ACCESSORY LIST

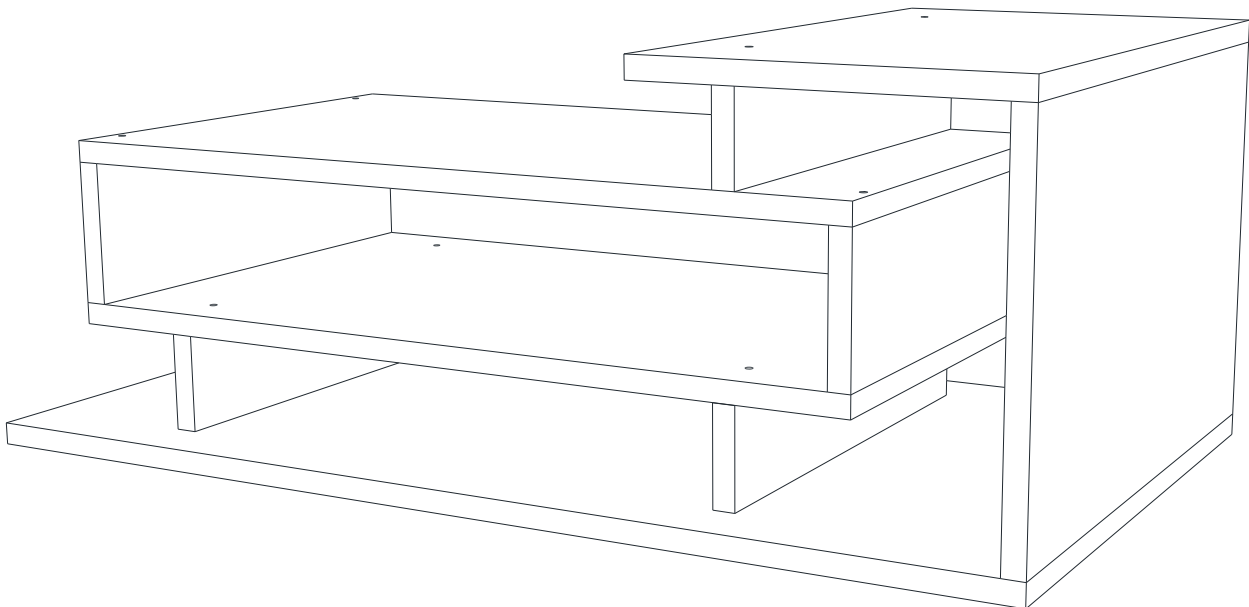
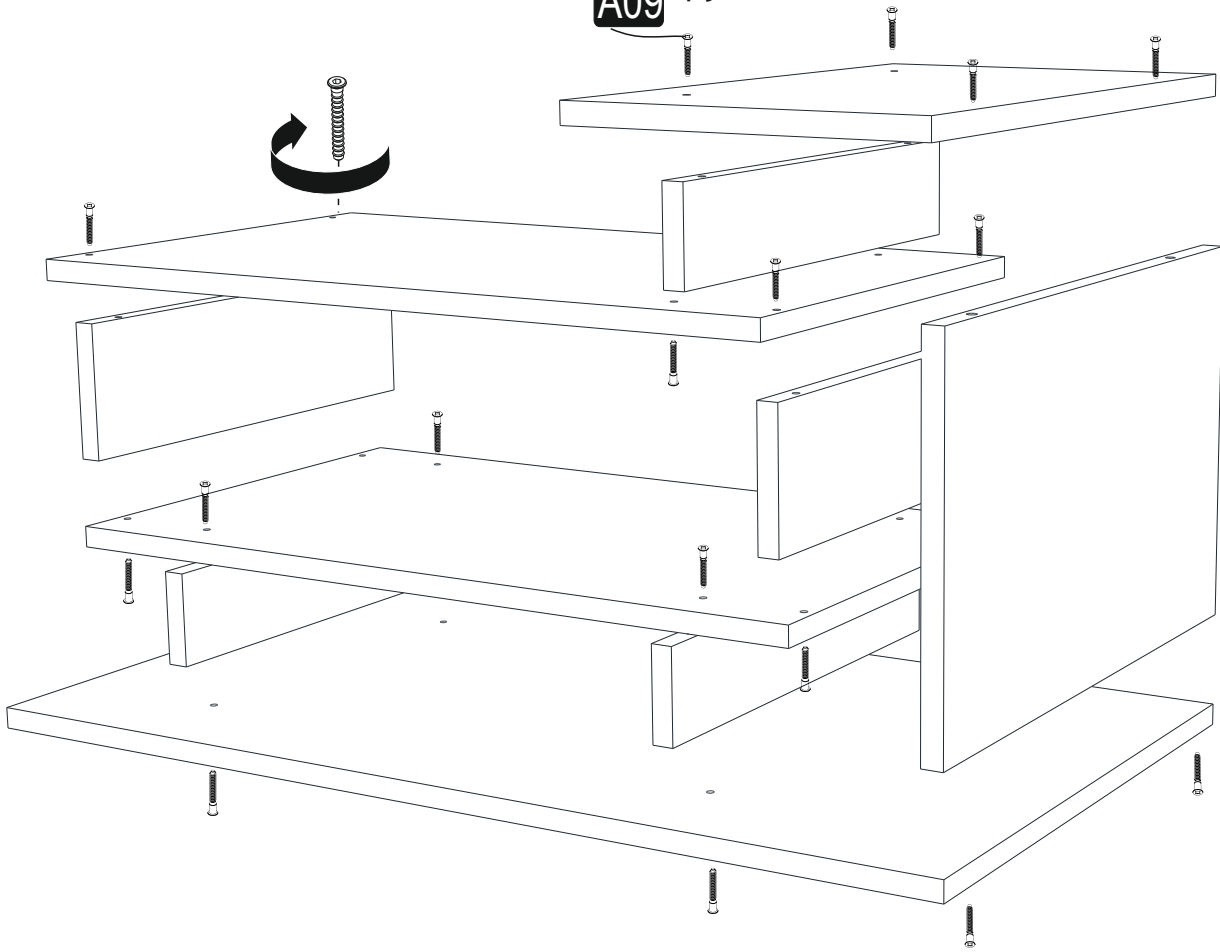
<b>A09</b>	4x50 YHB Vida	<b>A04</b>	Minifix Tapa
	<b>X24</b>		Ana Renk BÜ X4 KÜ X6 Değişken BÜ KÜ X8

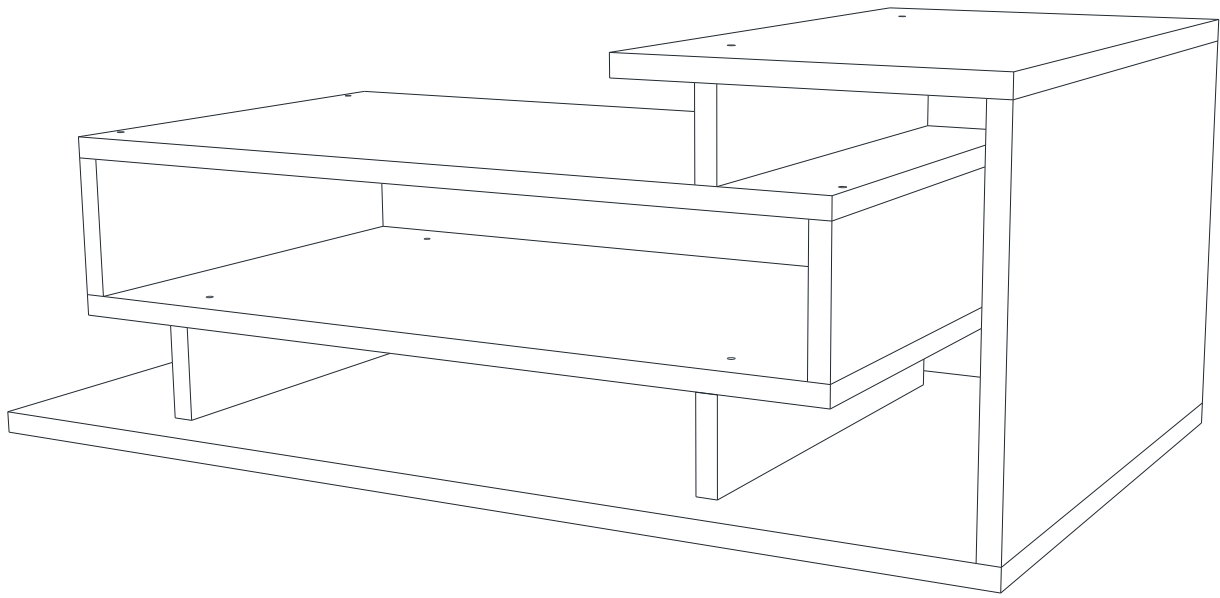
## GENERAL VIEW



# ASSEMBLY MANUAL

**A09** 4x50 YHB Vida





[www.decorotika.com](http://www.decorotika.com)

*Have you seen our other products ?*