







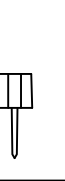

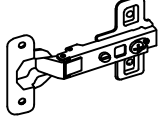
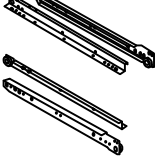
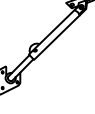
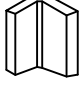
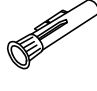
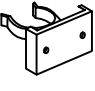
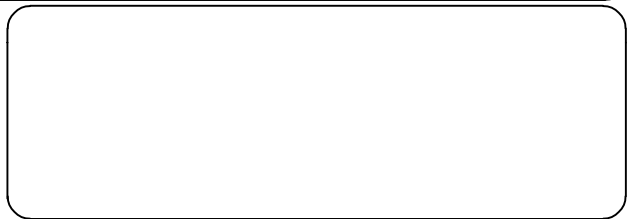
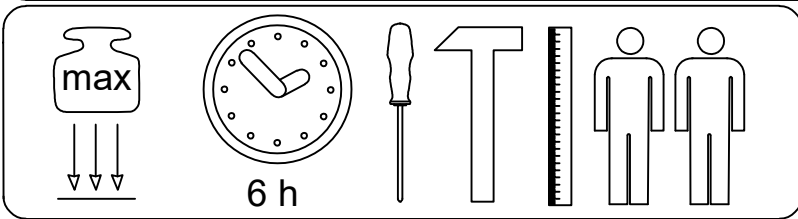
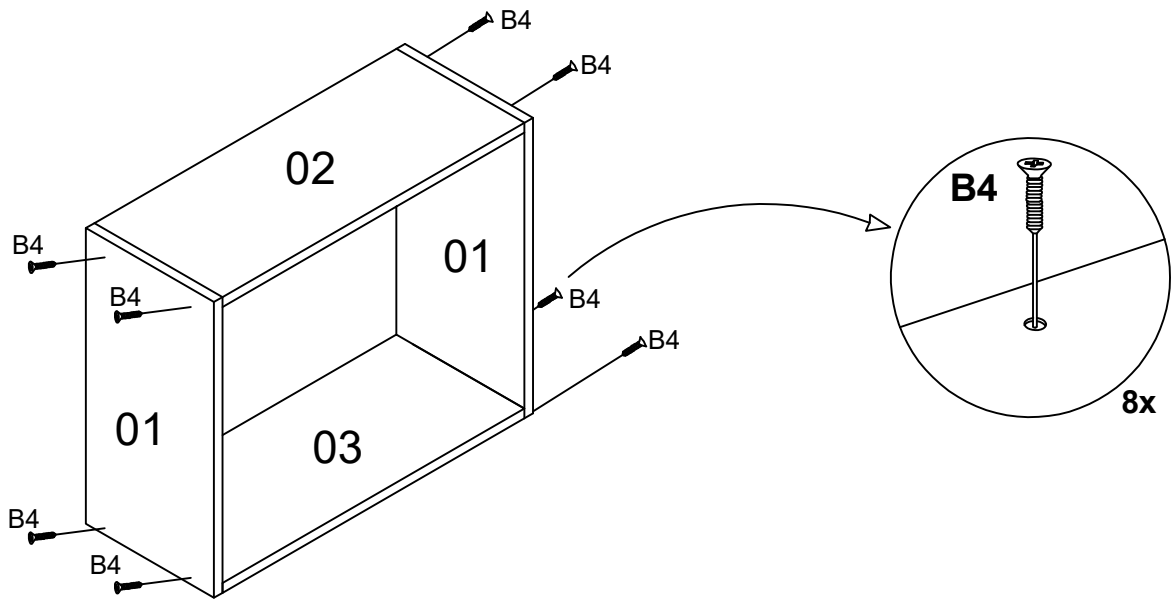


01	720x330x18 mm	x6	16	503x100x18 mm	x4
02	564x330x18 mm	x8	17	503x100x18 mm	x4
03	564x300x18 mm	x5	18	503x140x18 mm	x2
04	720x600x3 mm	x3	19	503x140x18 mm	x2
05	717x597x18 mm	x2	20	500x538x3 mm	x3
06	570x330x18 mm	x2	21	567x597x18 mm	x1
07	720x550x18 mm	x2	22	177x597x18 mm	x2
08	720x550x18 mm	x2	23	357x597x18 mm	x1
09	600x430x3 mm	x1	24	717x597x18 mm	x2
10	564x450x18 mm	x1	25	2410x610x25 mm	x1
11	564x80x18 mm	x7	26	564x550x18 mm	x2
12	564x500x18 mm	x1	27	720x550x18 mm	x2
13	717x597x18 mm	x1			
14	720x600x3 mm	x2			
15	2400x140x18 mm	x1			

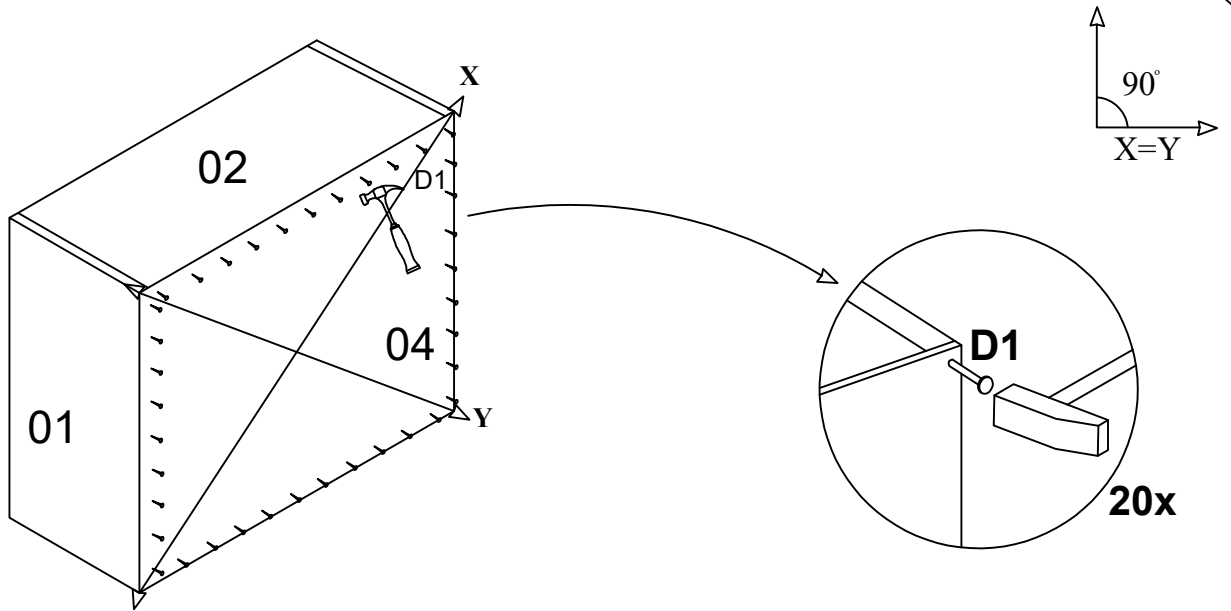
<b>B1</b> 3,5x18 	<b>B2</b> 3,5x25 	<b>B3</b> 4x22 	<b>B4</b> 3,5x50 	<b>B6</b> 3,5x40 	<b>B8</b> 4x40 	<b>B9</b> 3,5x30 	<b>B11</b> 5x80 	<b>C1</b> 
109x	36x	14x	96x	6x	4x	26x	8x	24x
<b>D1</b> 	<b>E1</b> 	<b>E3</b> 	<b>E4</b> 	<b>F2</b> 	<b>F3</b> 	<b>F5</b> 		
150x	12x	3x	2x	8x	8x	4x		



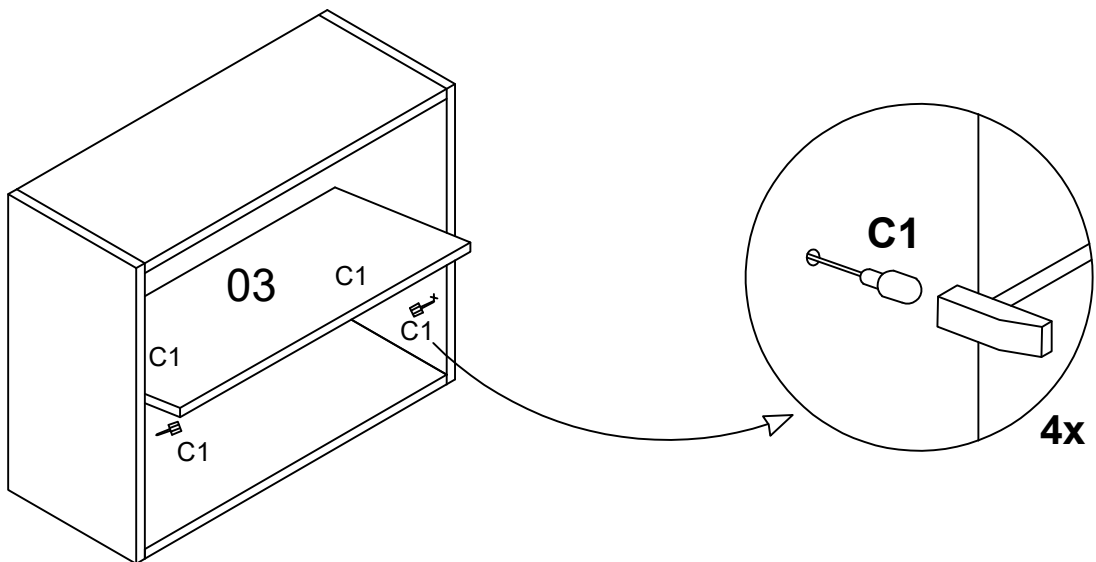
1



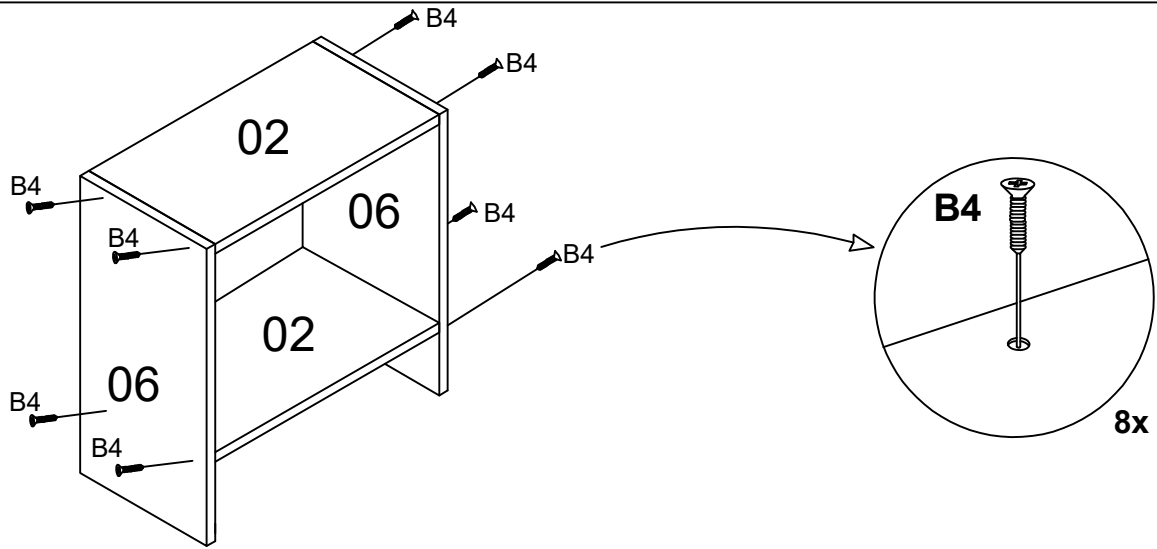
2



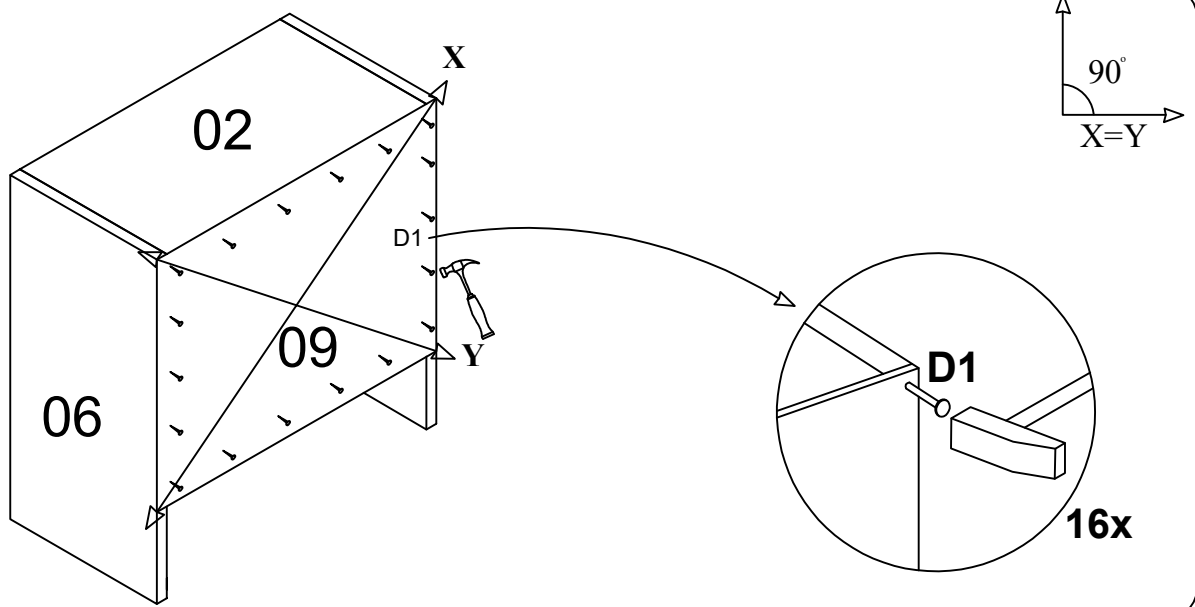
3



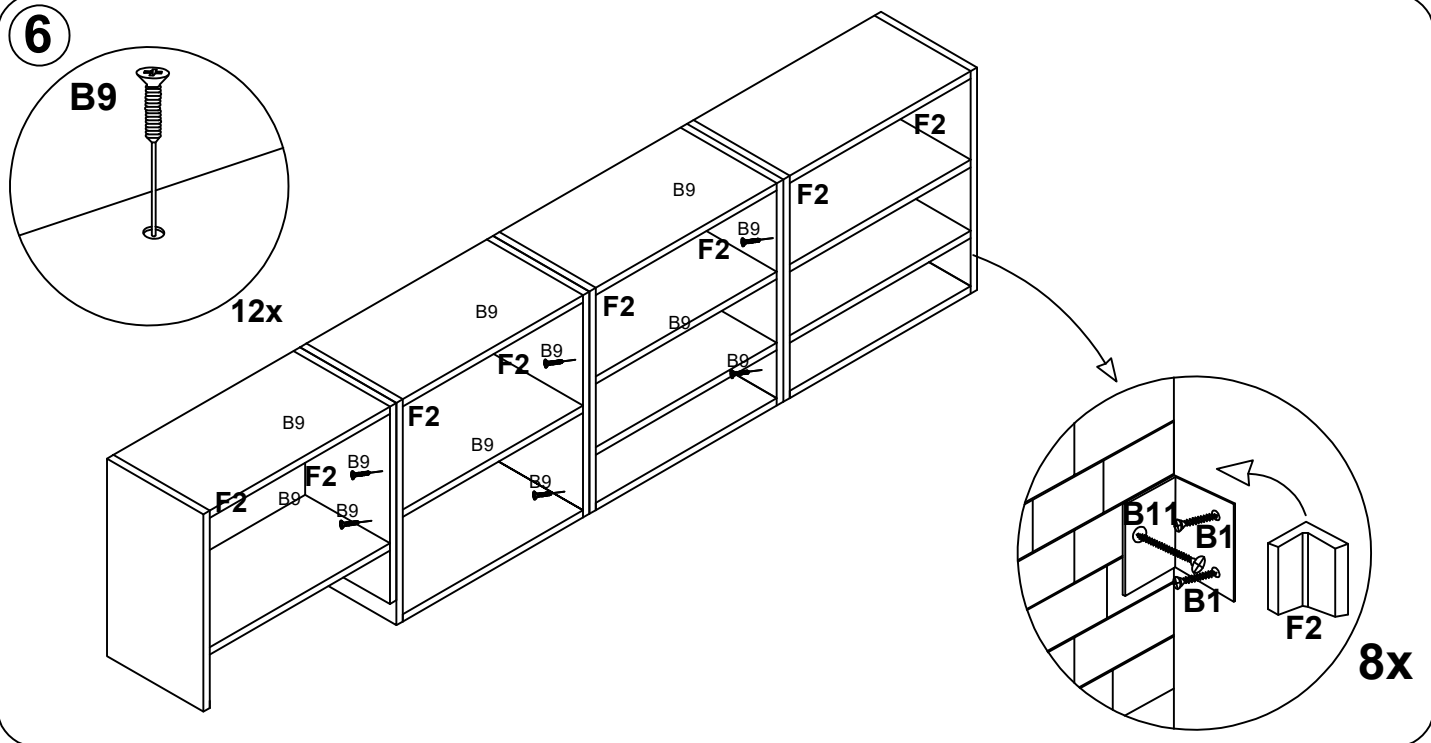
4



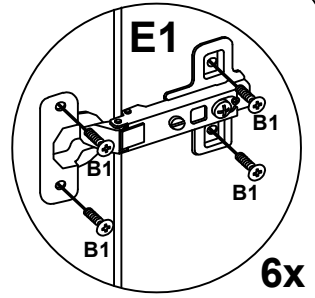
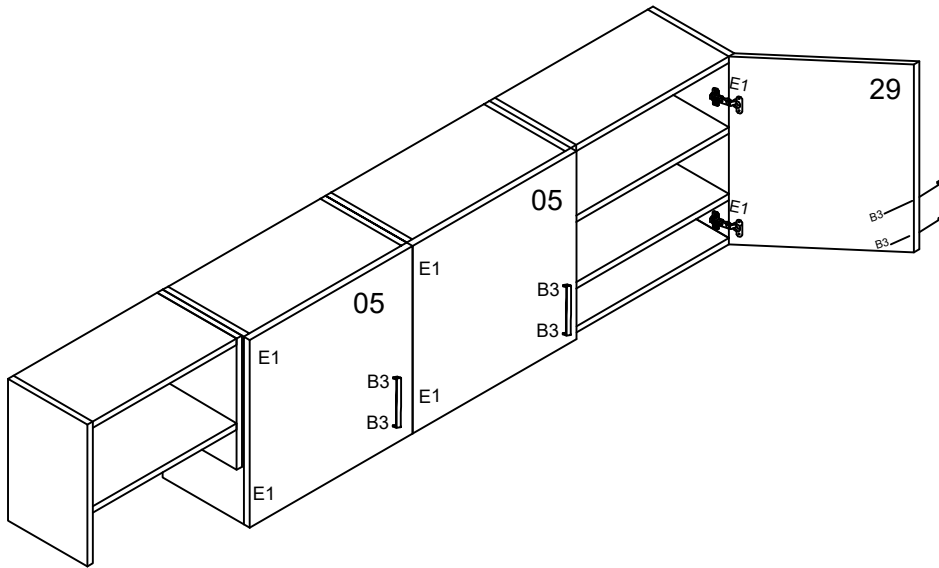
5



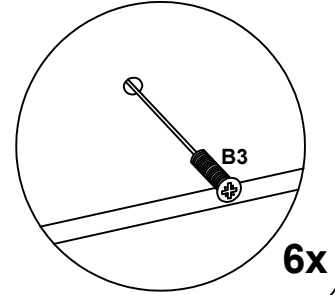
6



7

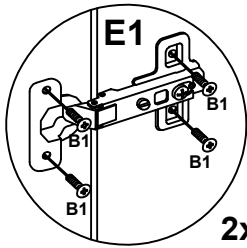


6x

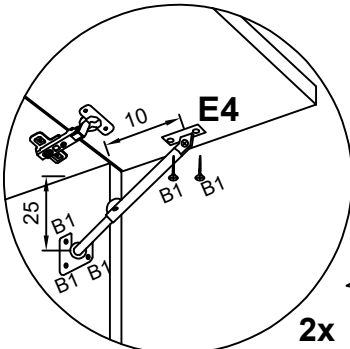


6x

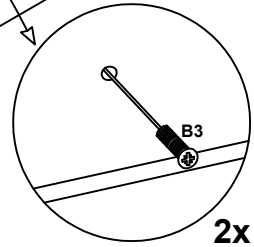
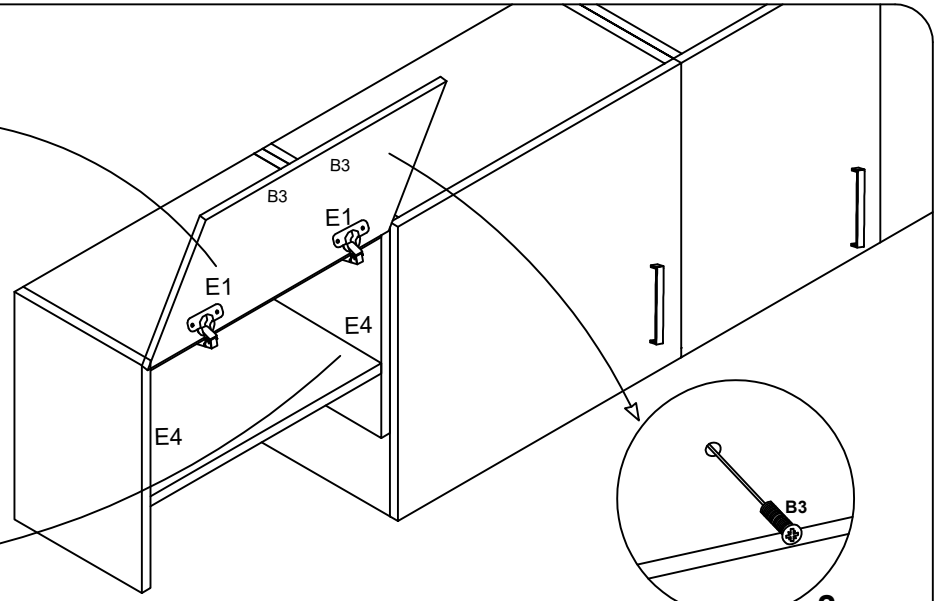
8



2x

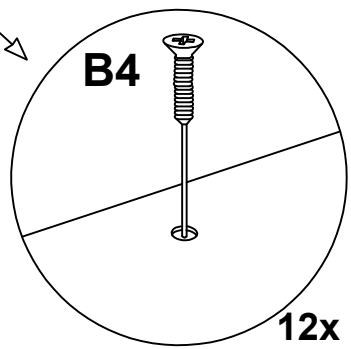
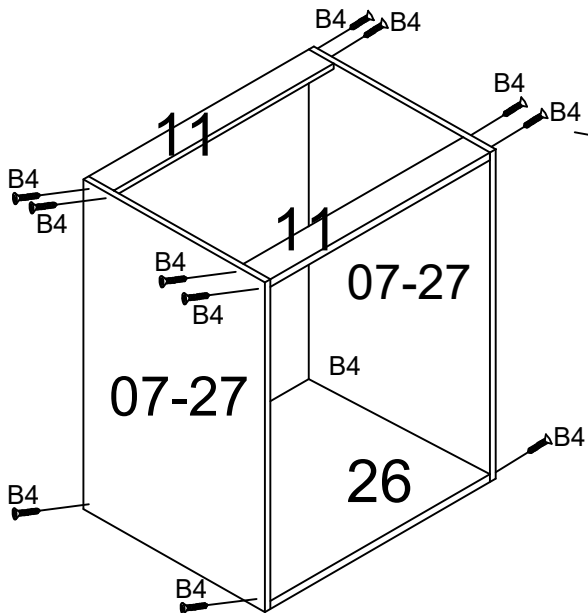


2x



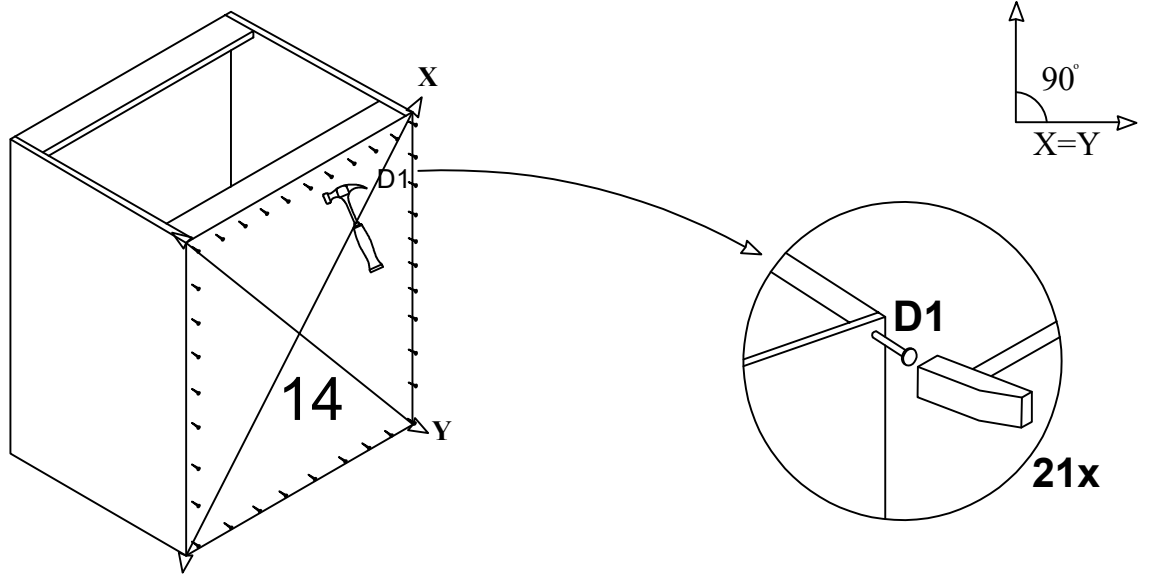
2x

9

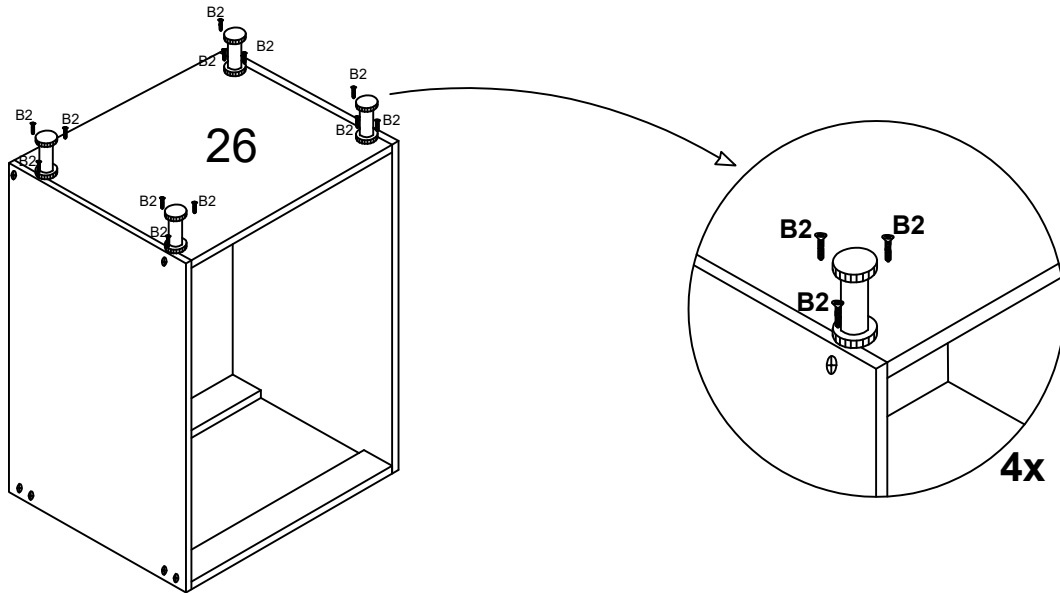


12x

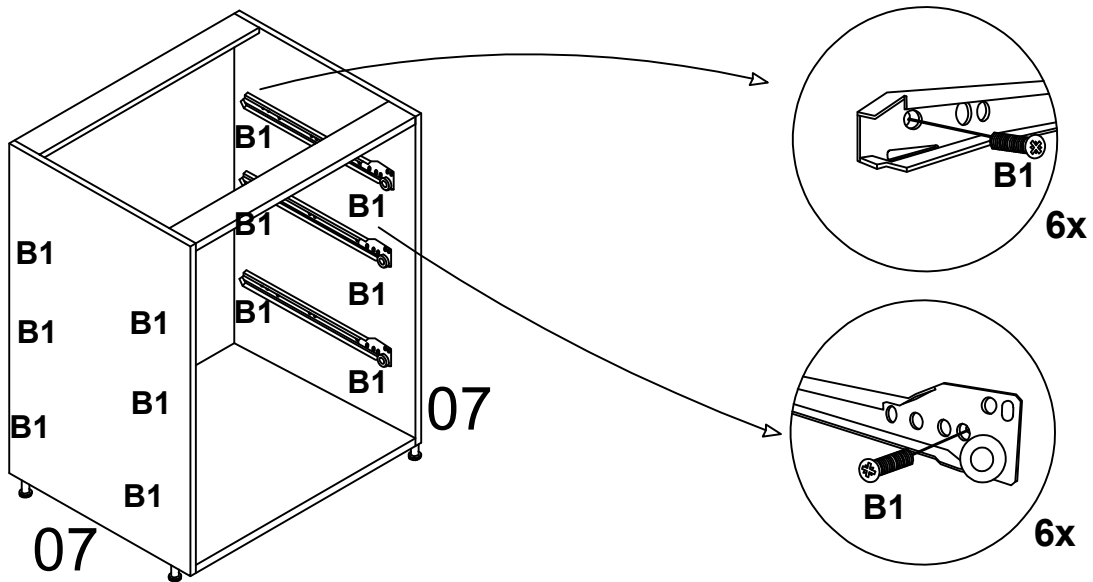
10



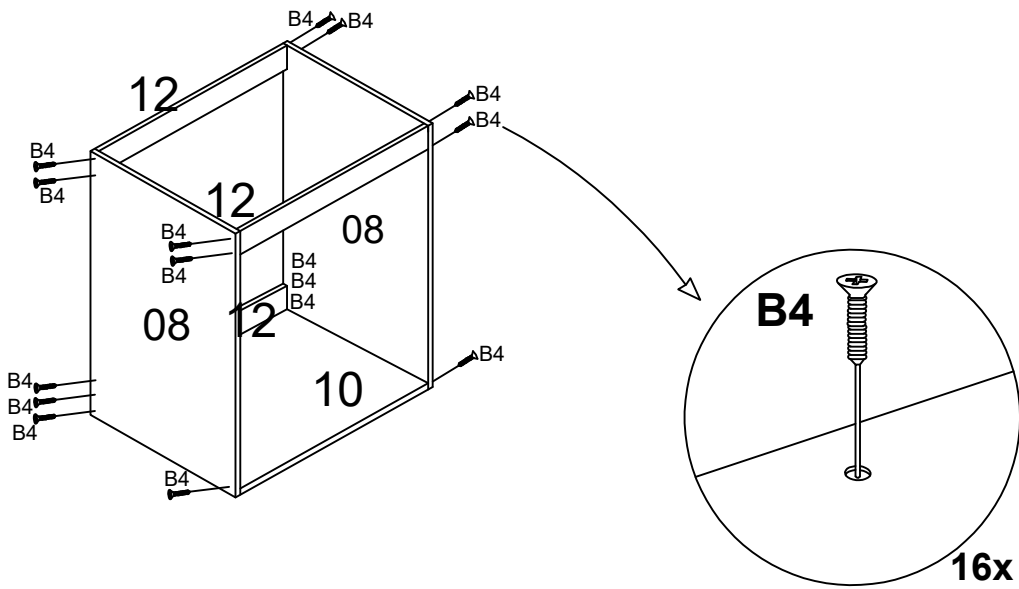
11



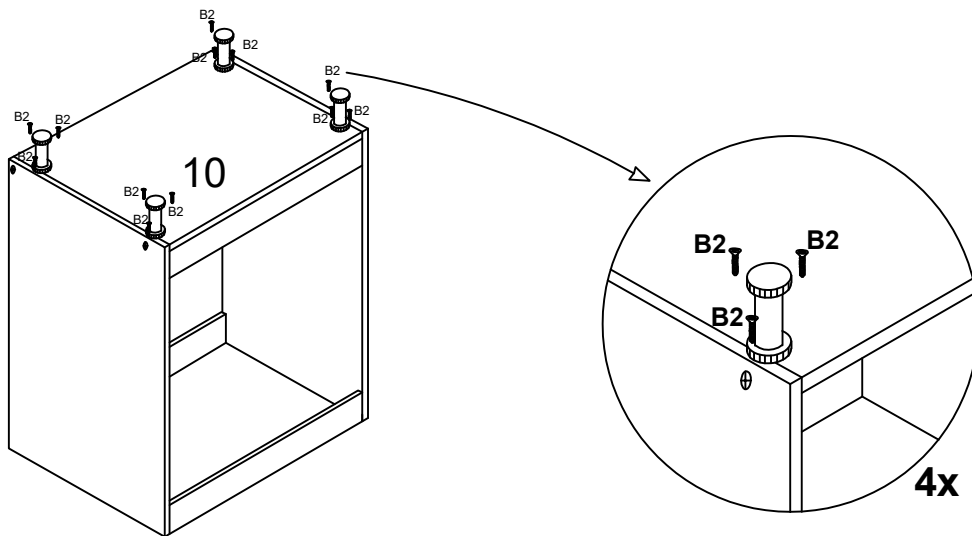
12



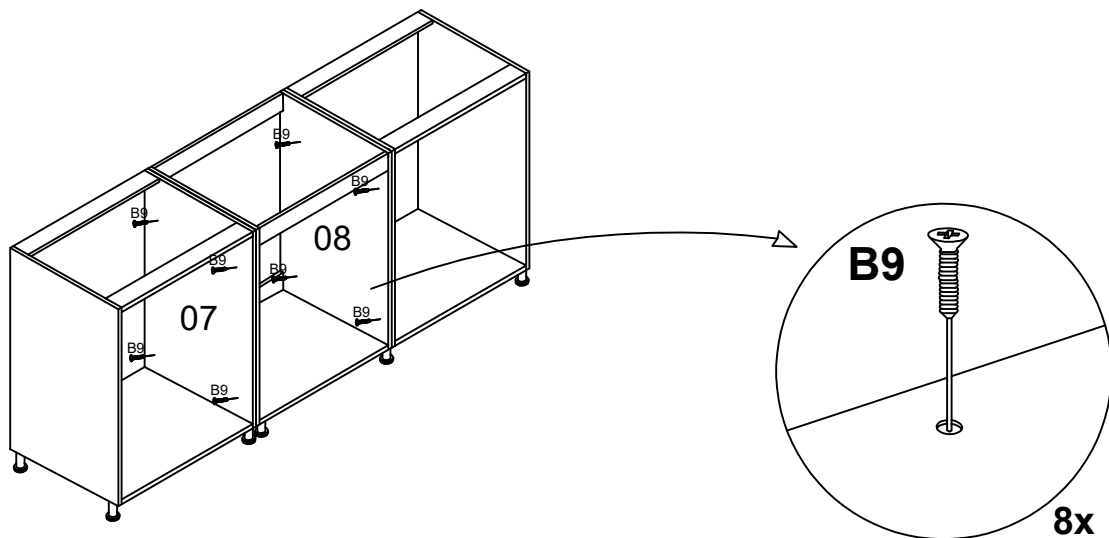
13



14

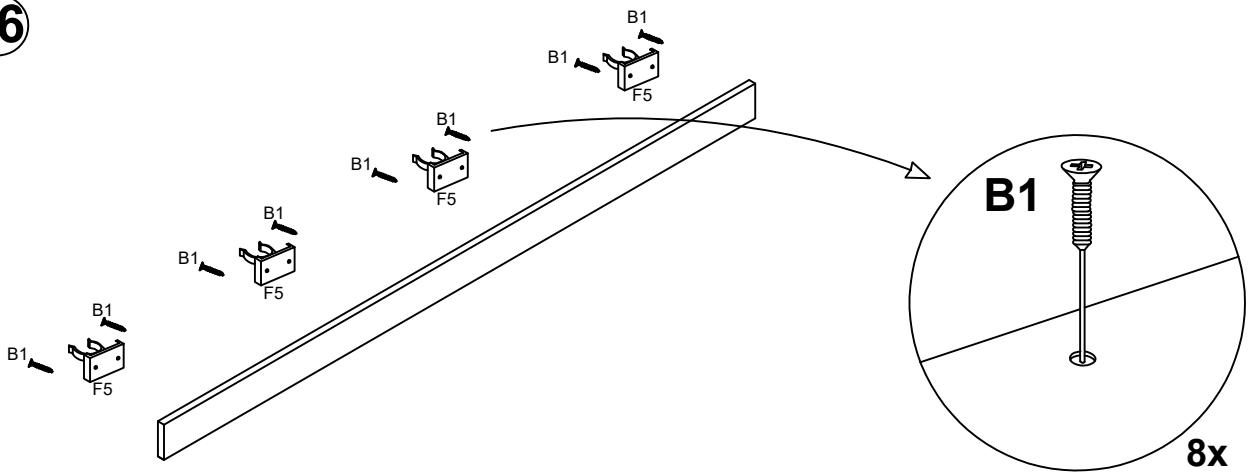


15

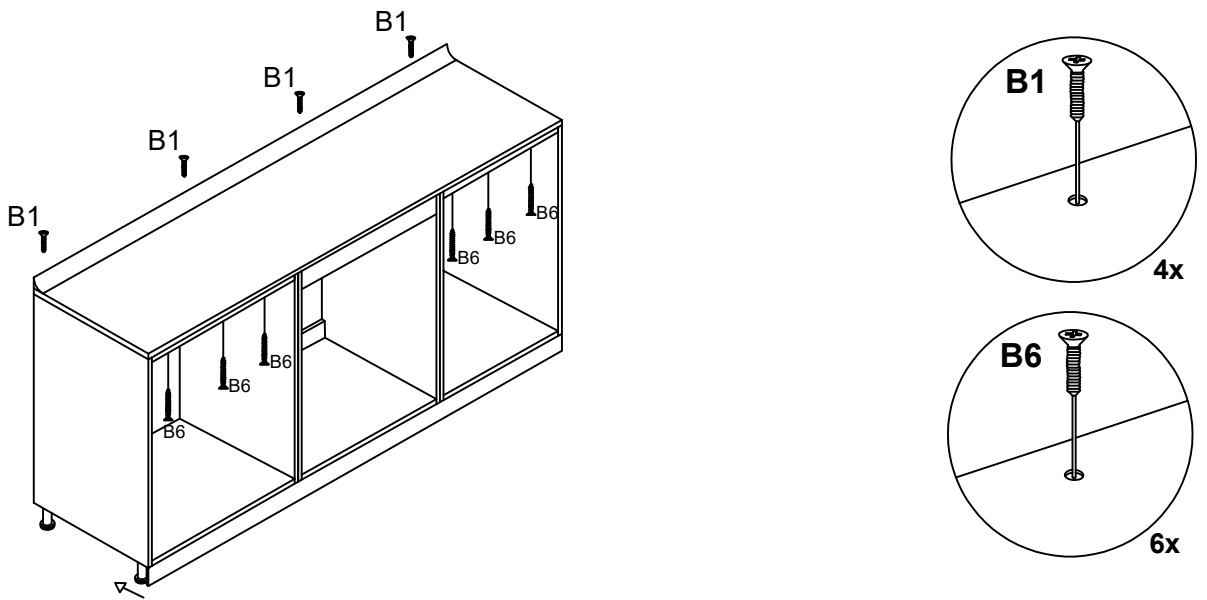




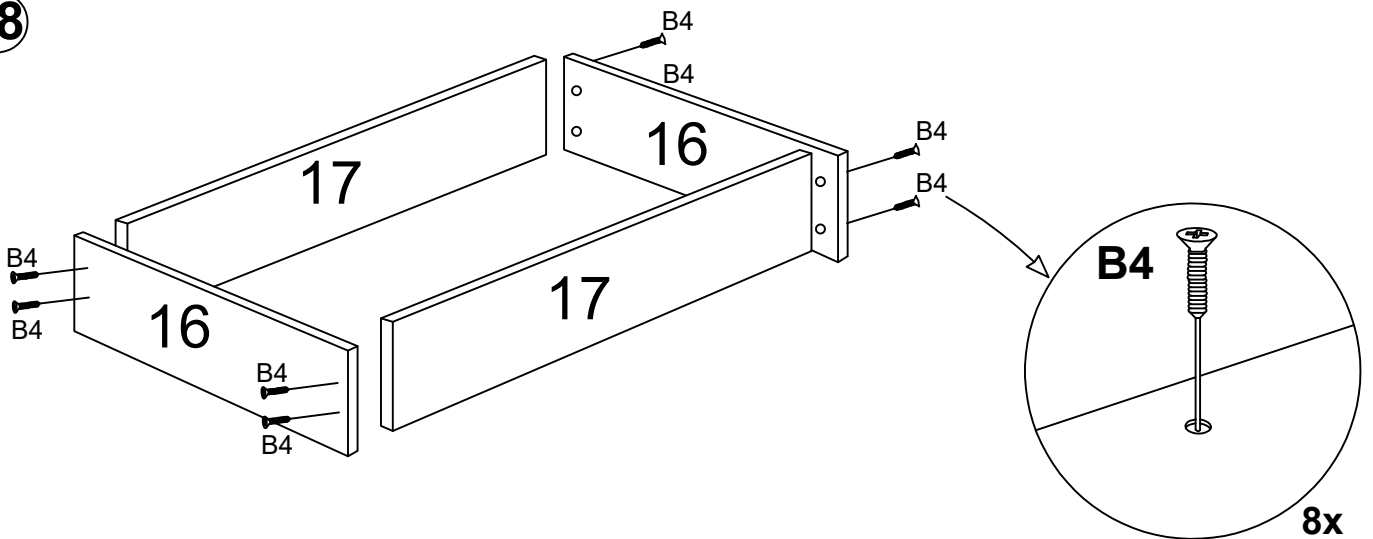
16



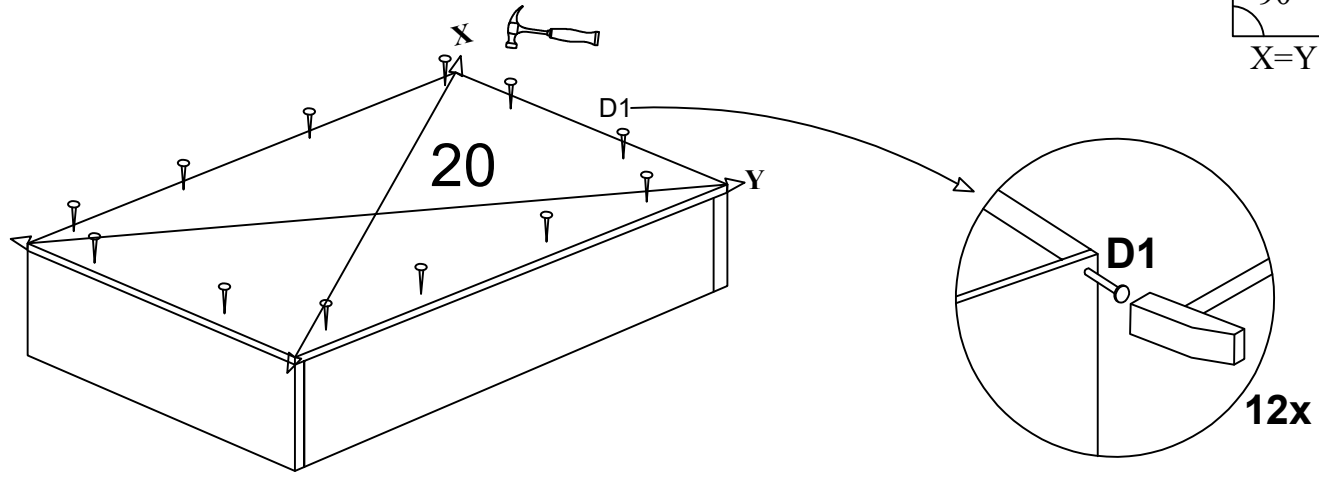
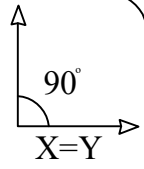
17



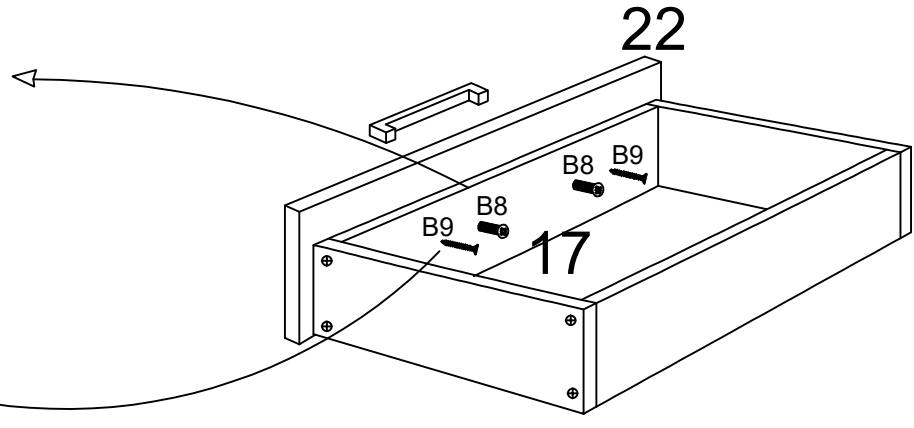
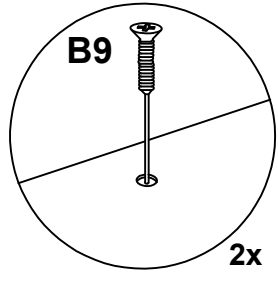
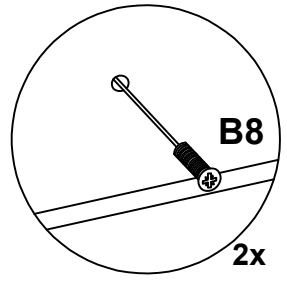
18



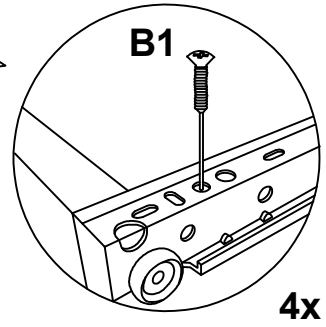
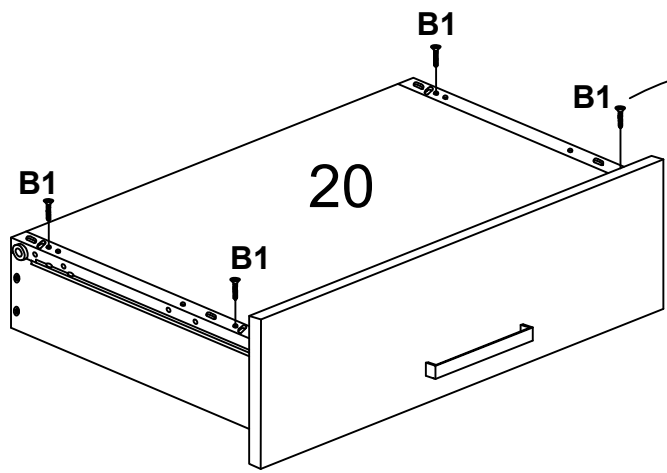
19



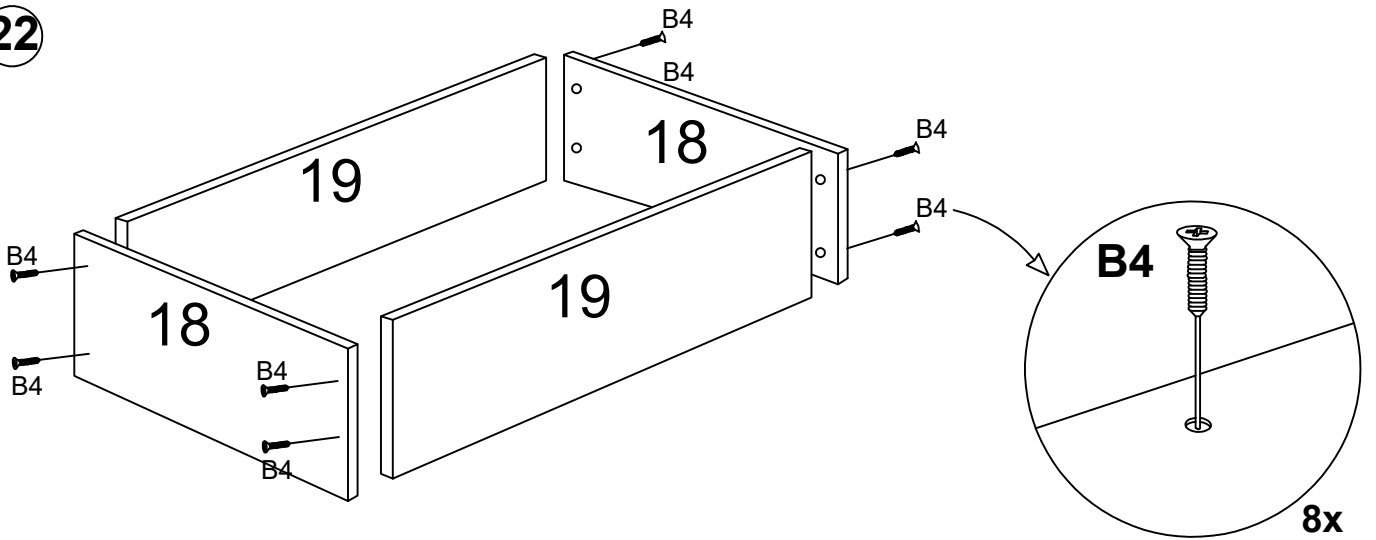
20



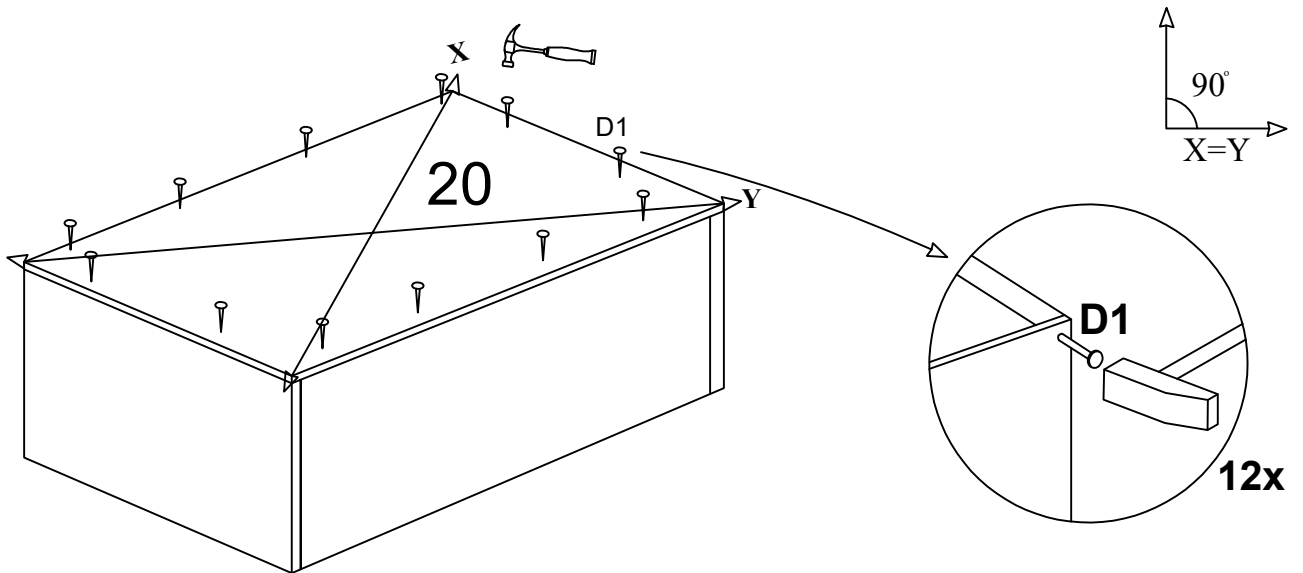
21



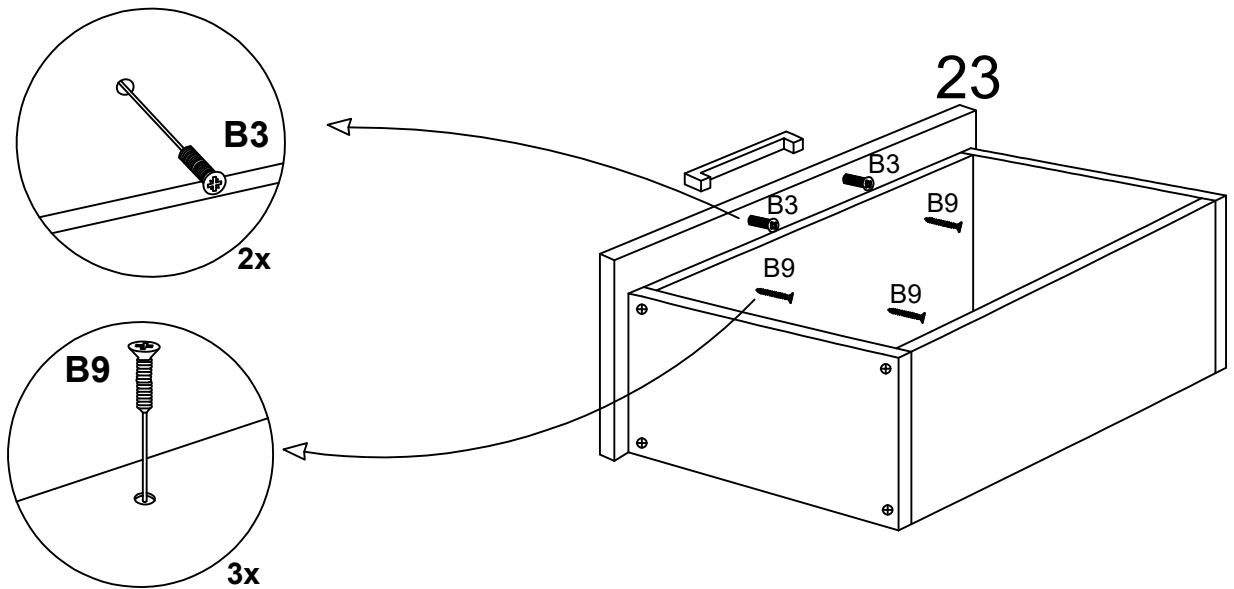
22



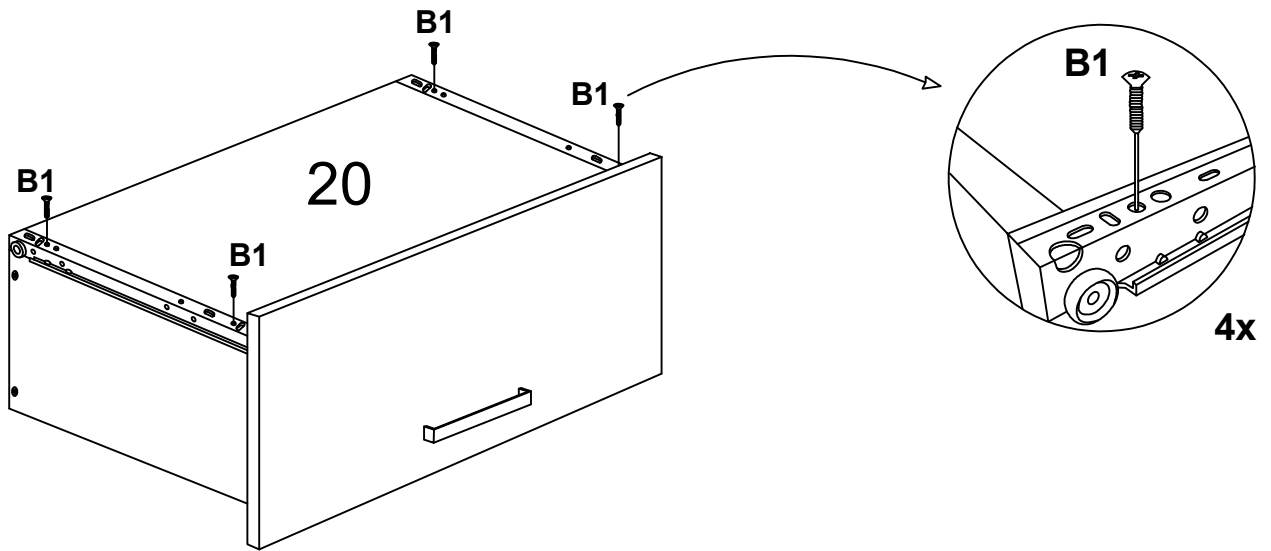
23



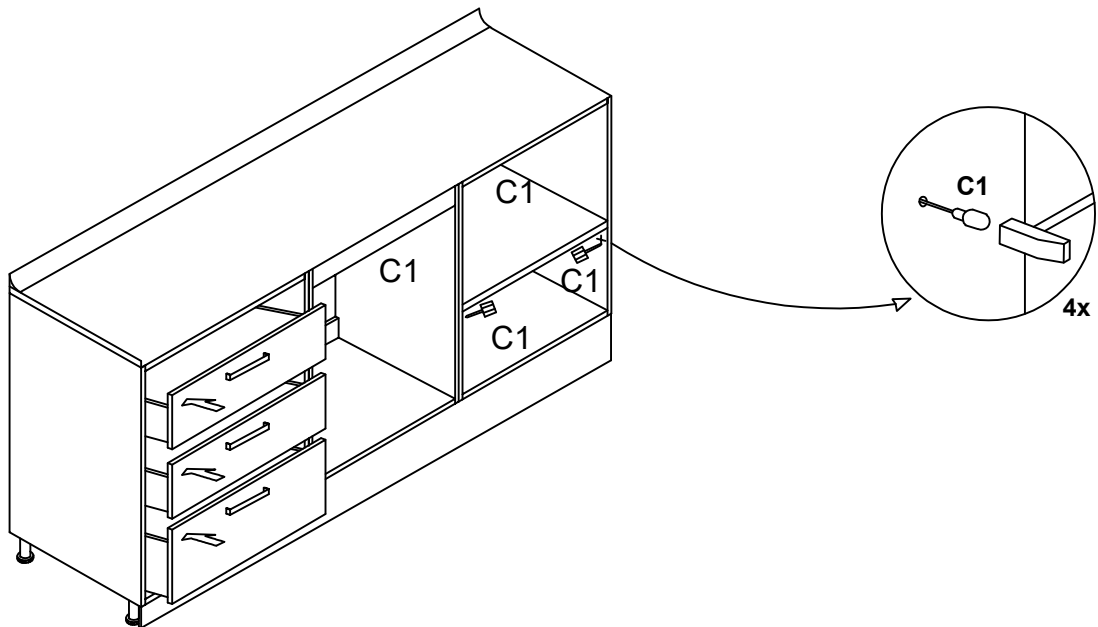
24



25



26



27

