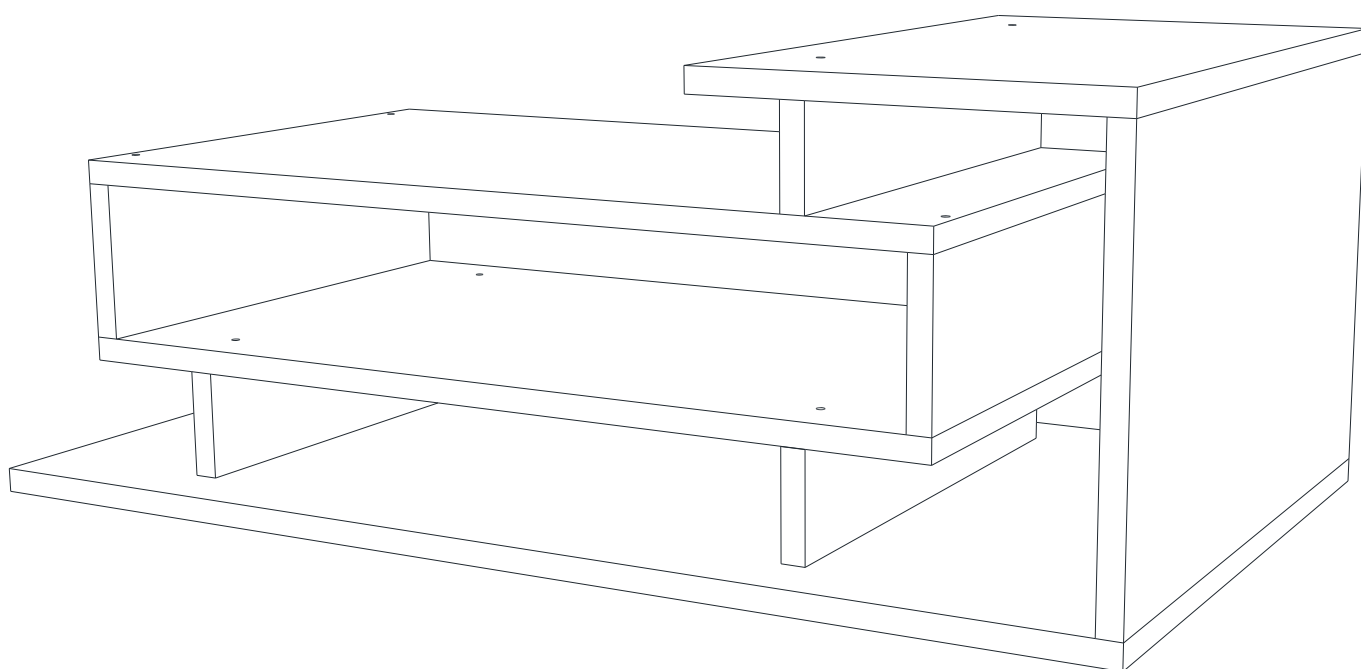
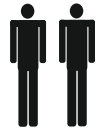


SPRING

ASSEMBLY MANUEL



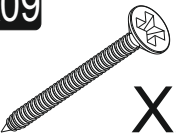

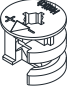
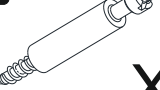



This unit should be assembled by two persons.

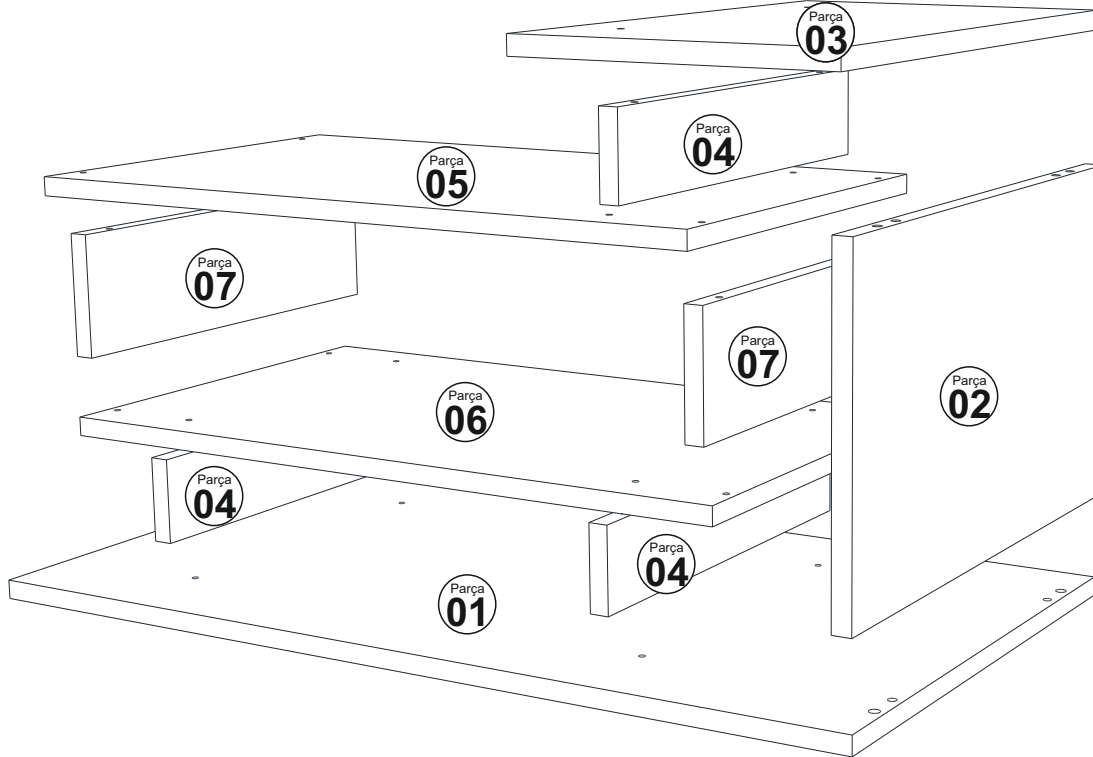


ACCESSORY LIST

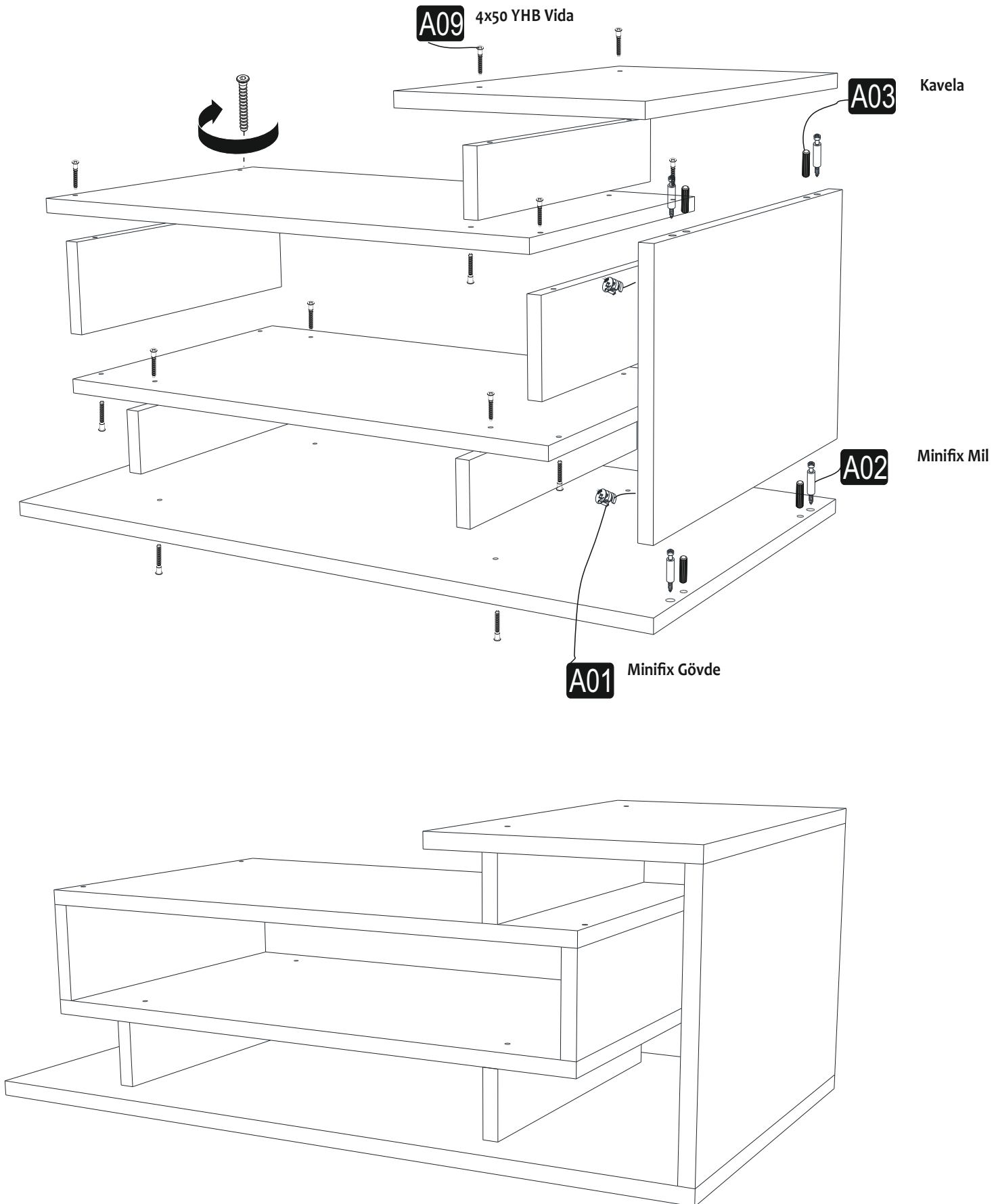
The necessary tools (not included)

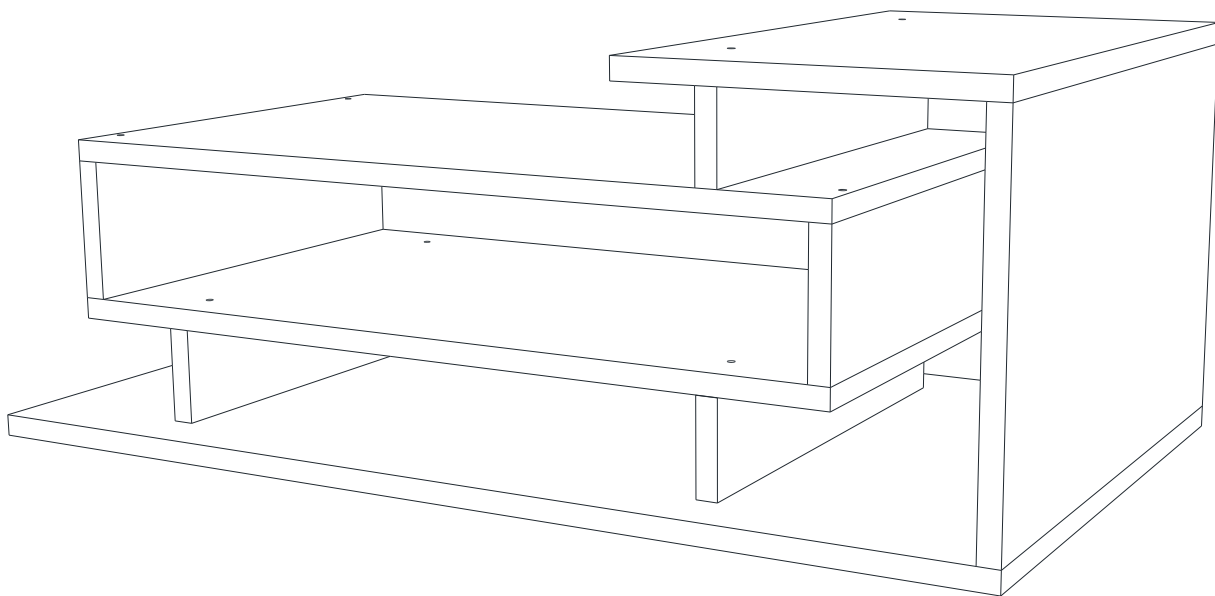
A09 4x50 YHB Vida  X20	A04 Minifix Tapa Ana Renk BÜ X4 KÜ X6 Değişken BÜ X8 KÜ X8 	A01 Minifix Gövde  X4	A02 Minifix Mil  X4	A03 Kavela  X4
--	---	---	---	--

GENERAL VIEW



ASSEMBLY MANUAL





www.decorotika.com

Have you seen our other products ?