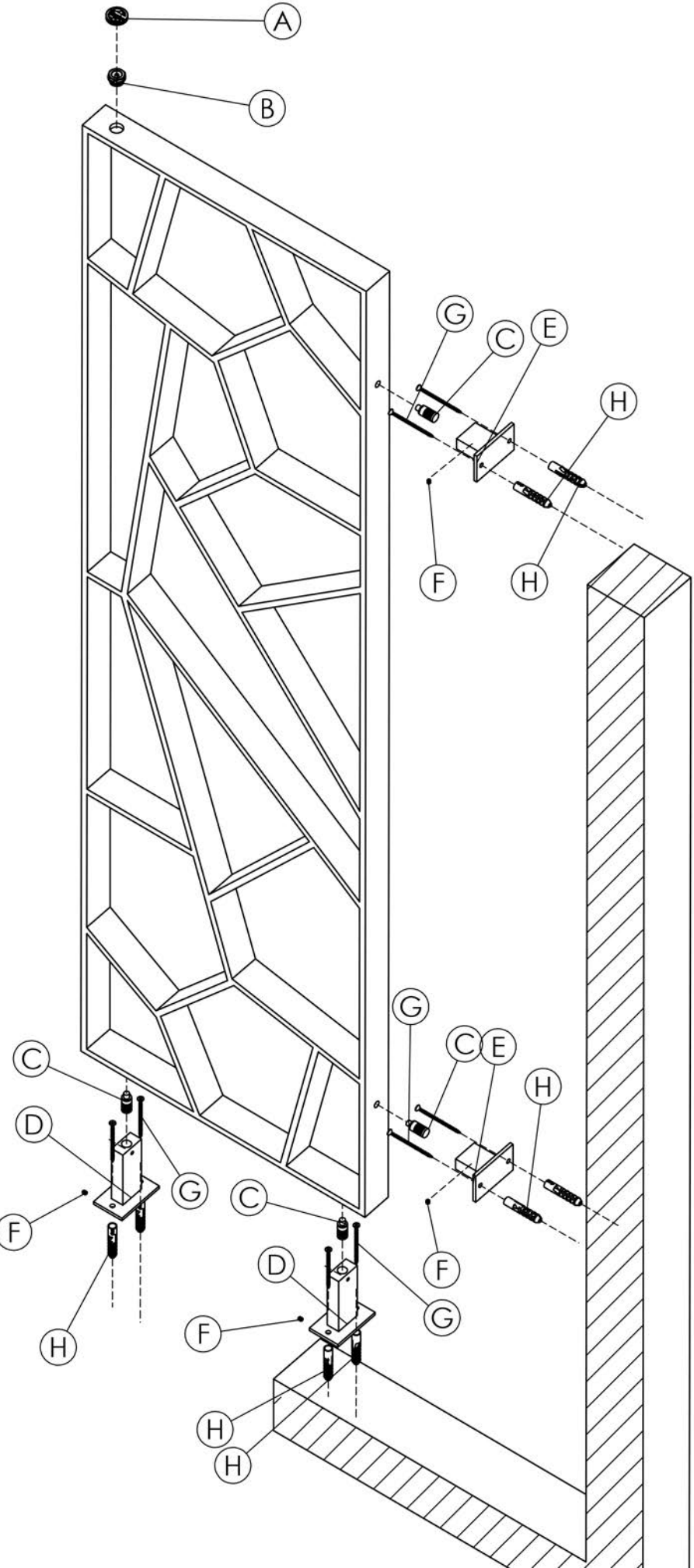
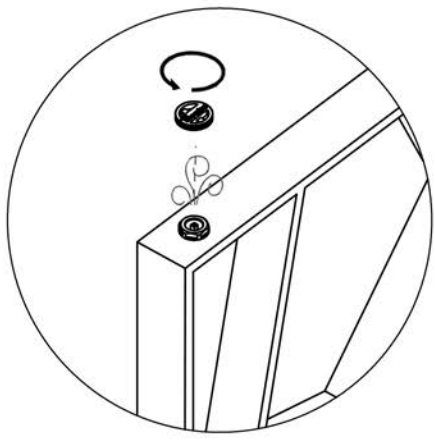


50
40
Pipe Center



Key	Component	Qty
	A Bleeding Valve Key	1
	B Bleeding Valve 1/2"	1
	C Stud	4
	D Square Floor	2
	E Square Wall	2
	F Grub Screw	4
	G Screw-5,5x45mm	8
	H Wall Plug	8



Assembly Instructions

Use Carisa bleeding valve key (A) to turn bleeding valve (B) on final installation.

Use bleeding valve key (A) to turn bleeding valve (B) on final installation.

Assemble the 4 Studs (C) on radiator.

Fit the studs into the floor and wall mounting brackets (D & E)

Fix the brackets and studs by grub screw (G)

Accurately mark out floor bracket holes on floor and wall bracket holes on wall.

Drill 4 (Ø8mm) holes for floor mounting brackets (D) and 4 (Ø8mm) holes for wall mounting brackets (E)

Place the wall plugs (H) into the holes.

Screw the mounting brackets using by 8 screws (G).