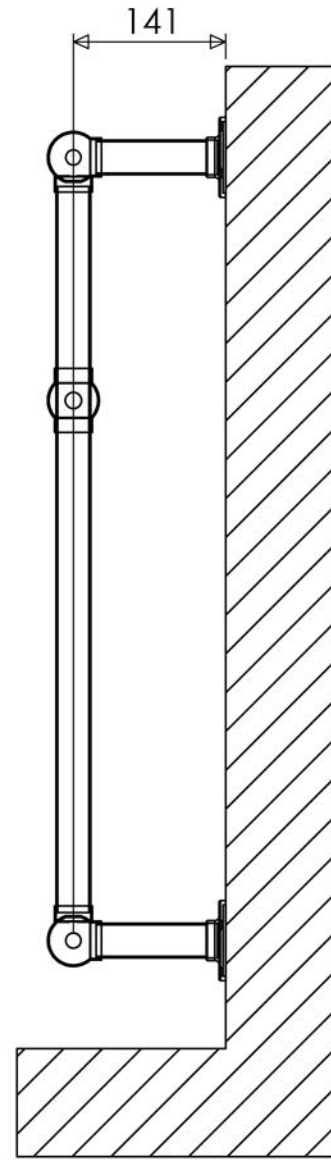
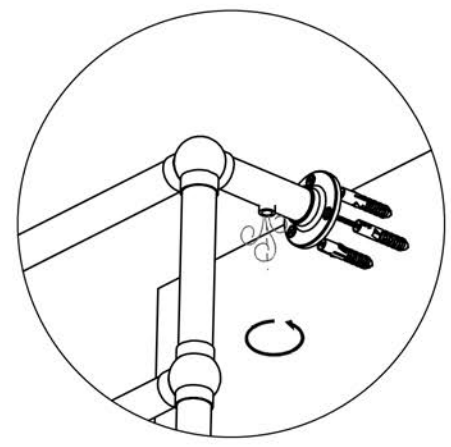
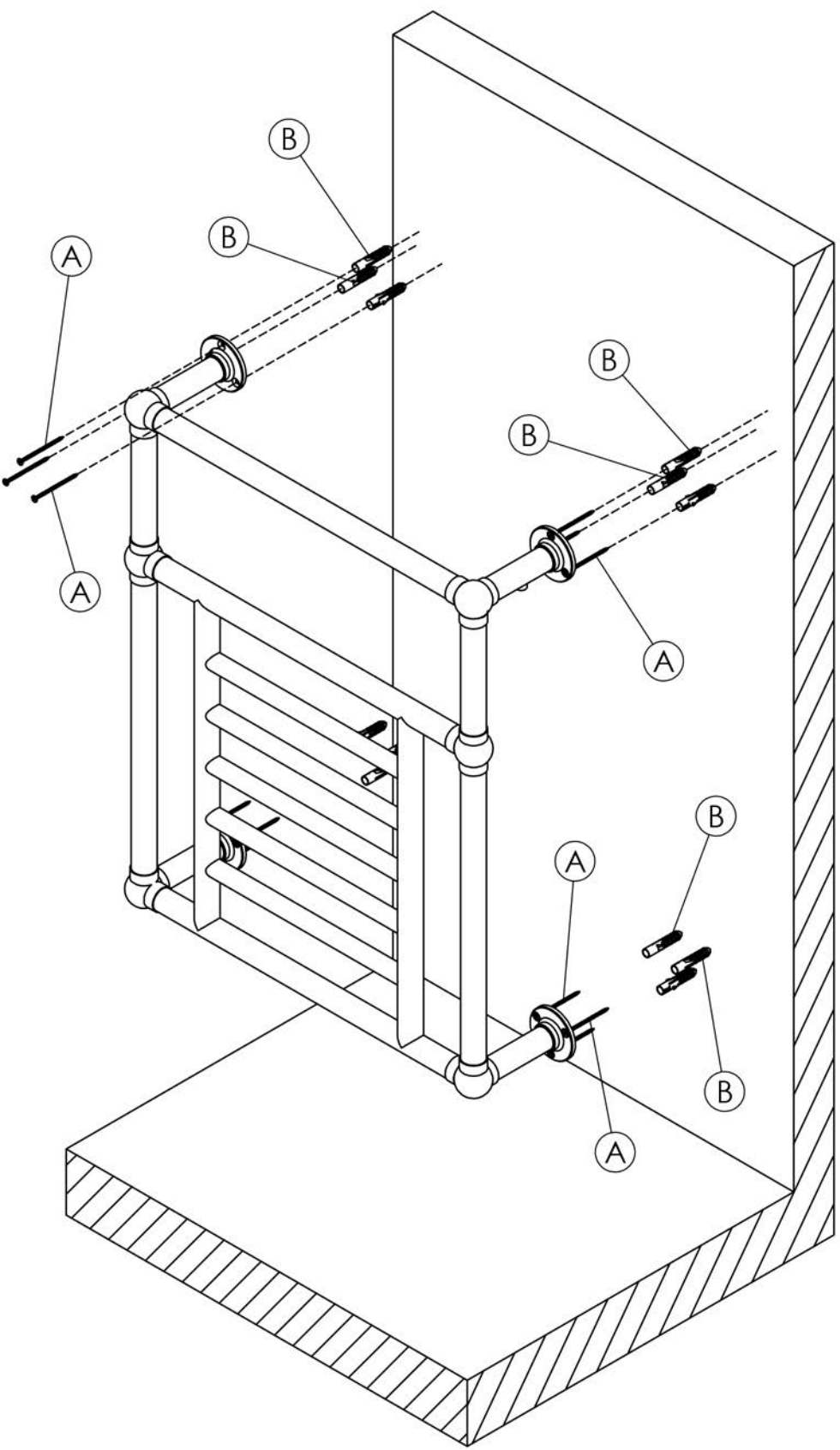


when using
Carisa radiator
valves



Key	Component	Qty
-----	-----------	-----

-  **A** Screw 12
-  **B** Wall Plug 12



Assembly Instructions

Drill twelve holes on the wall and the floor.

Put the wall plug (B) into the hole.

Set the mounting brackets by centering holes on the wall and floor.

The settled brackets are fasten via twelve screws (A) on the wall.