

ELVINO FLOOR FITTING INSTRUCTIONS

Assembly Instructions

Fit bleending valve (B) & blind tap (C).

Use Carisa bleeding valve key (A) to turn bleeding valve (B).

Accurately mark out bracket holes on wall using spirit level.

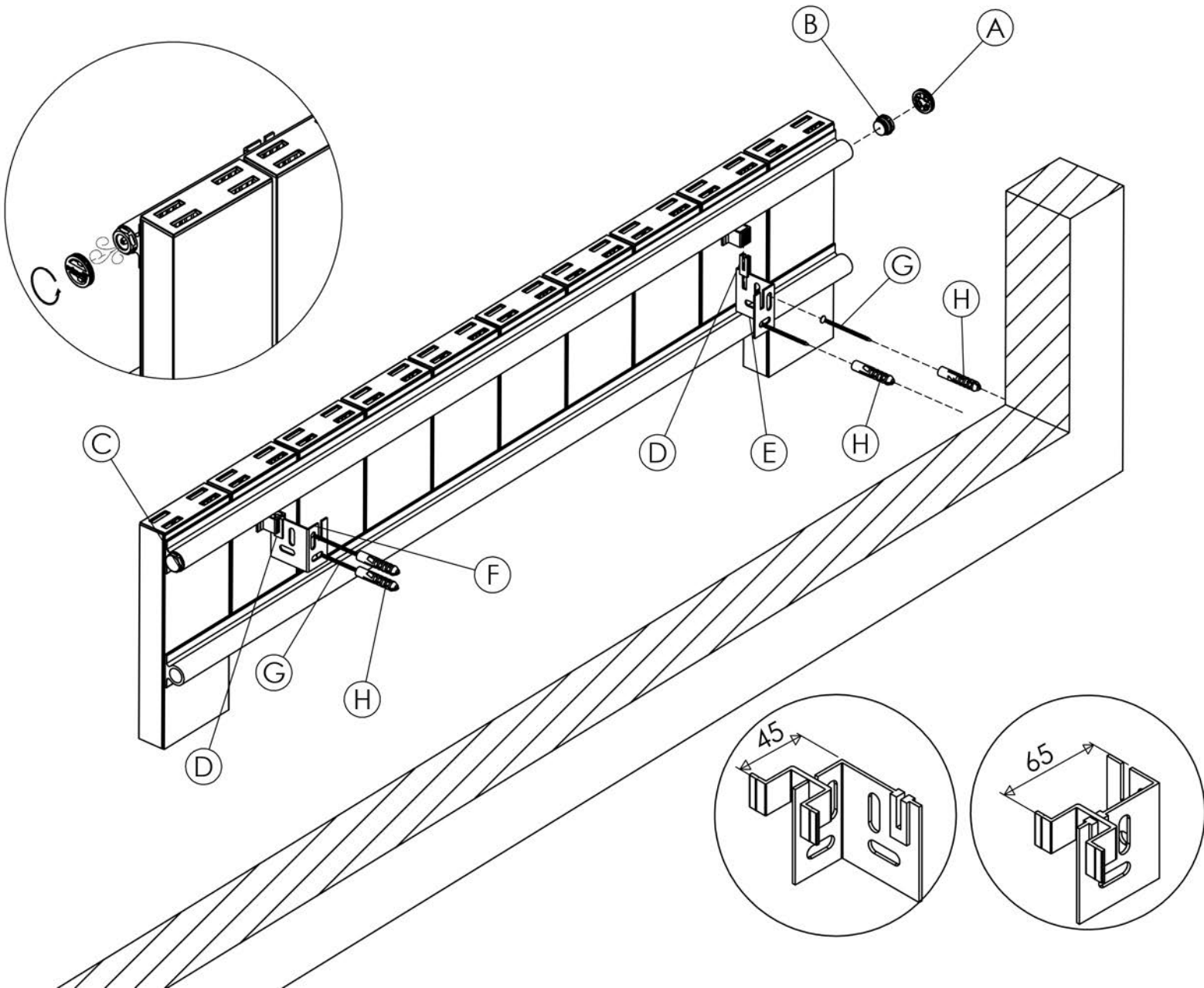
Drill four 8mm diameter holes for upper brackets (E,F).

Friction cups (D) **MUST** be fitted to each mounting brackets (E,F) to suppress potential noise.

Screw brackets (E,F) into wall plugs (H) with 5,5mm diameter x 45mm screws (G).

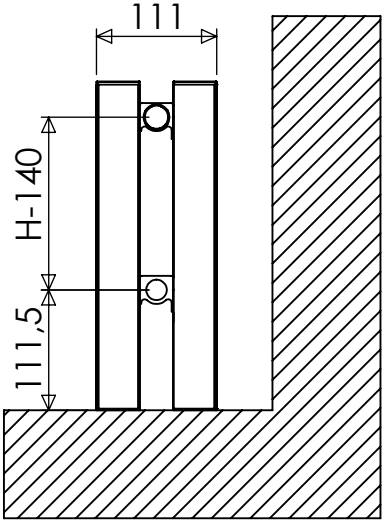
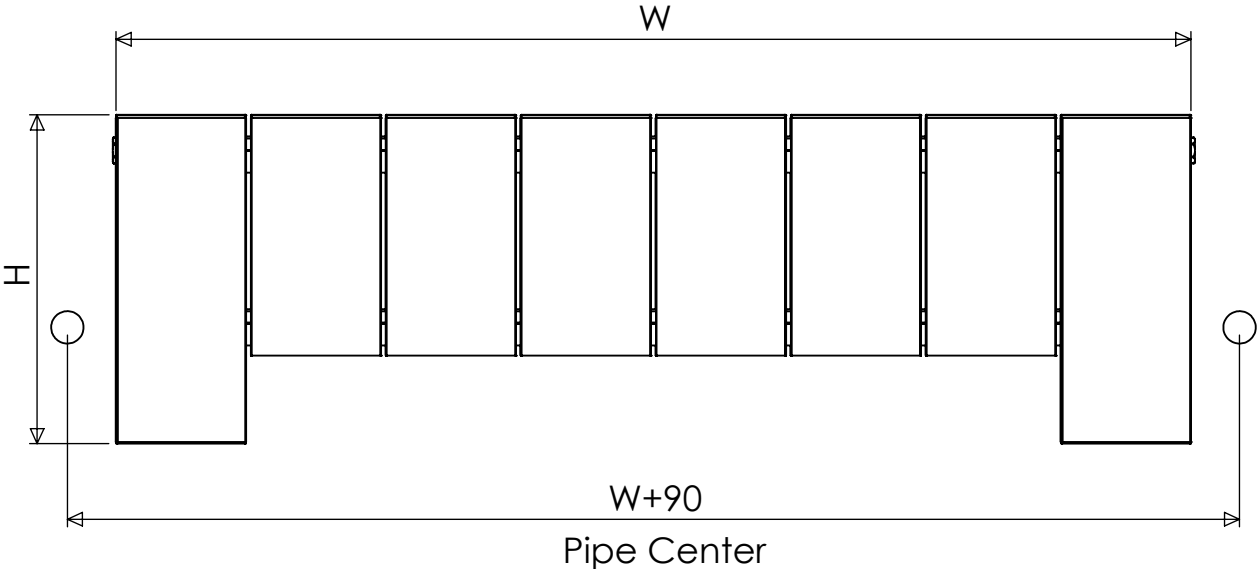
Hang radiator by sliding the bosses on the back of the radiator into brackets (E,F).

Key	Component	Qty
	A Bleeding Valve Key	1
	B Bleeding Valve 1/2 "	1
	C Blind Tap	1
	D Friction Cups/Cushions	4
	E Left Bracket	1
	F Right Bracket	1
	G Screw-5,5x45mm	4
	H Wall Plug	4



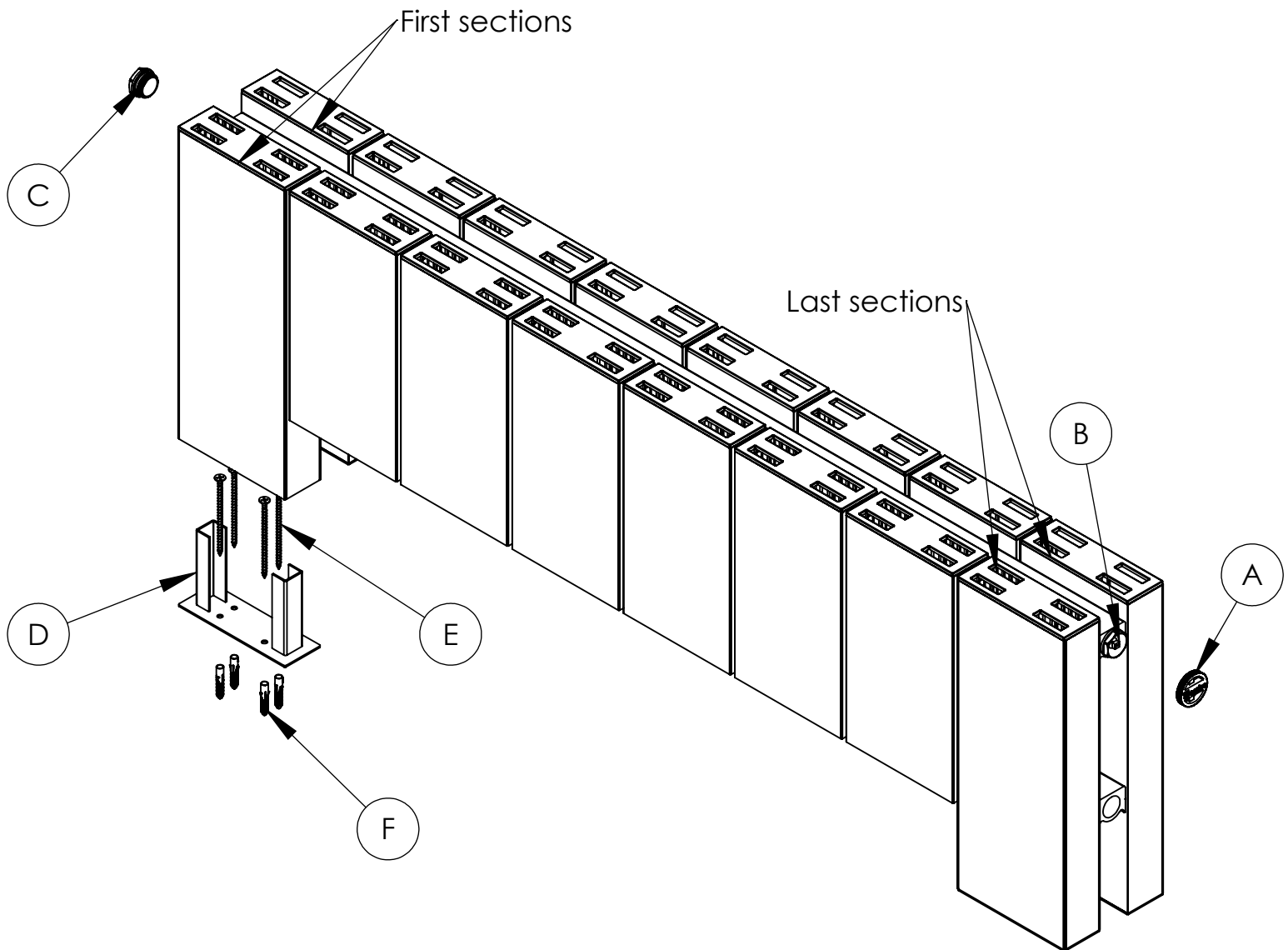
ELVINO FLOOR DOUBLE







TECHNICAL DATA



ELVINO FLOOR DOUBLE

FITTING INSTRUCTIONS



Key	Component	Qty
	A Bleeding Valve Key	1
	B Bleeding Valve 1/2 "	1
	C Blind tap	1
	D Floor Fixing Piece	4
	E Screw	16
	F Plug	16

Assembly Instructions

Use Carisa bleeding valve key (A) to turn bleeding valve on final installation (B).

Accurately mark out fixing pieces's holes on floor using spirit level.

Drill sixteen 8mm hole for each floor fixing piece (D).

Screw floor fixing piece (D) into plugs (F) with screws (E).

Position the first and last sections of the radiator centered on the floor fixings.