



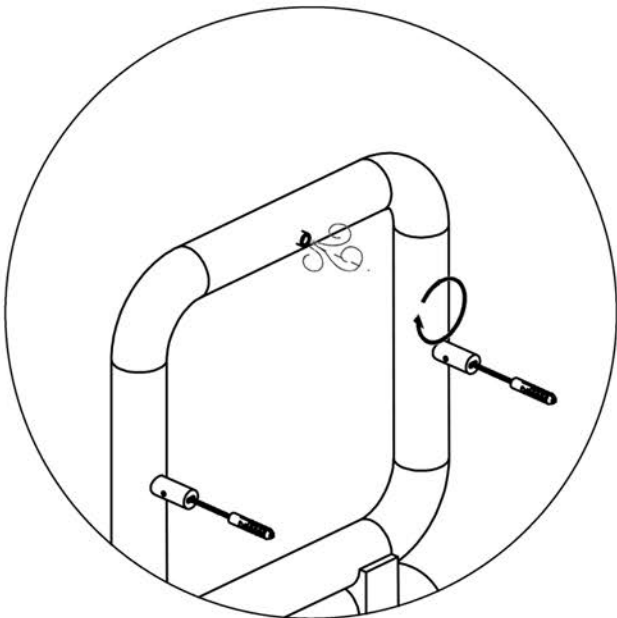


Key	Component	Qty
	A Round Wall	4
	B Stud	4
	C Screw-5,5x45mm	4
	D Wall Plug	4



Assembly Instructions

- Use bleeding valve key to turn bleeding valve on final installation.
- Accurately mark out bracket holes on wall using spirit level.
- Drill four 8mm hole for each brackets (A).
- Screw brackets (A) into wall plugs (D) with 5,5mm diameter x 45mm screws (C).
- Hang radiator by centering the studs into the brackets (A).
- Secure the stud with the grub screw (B) after setting wall distance.