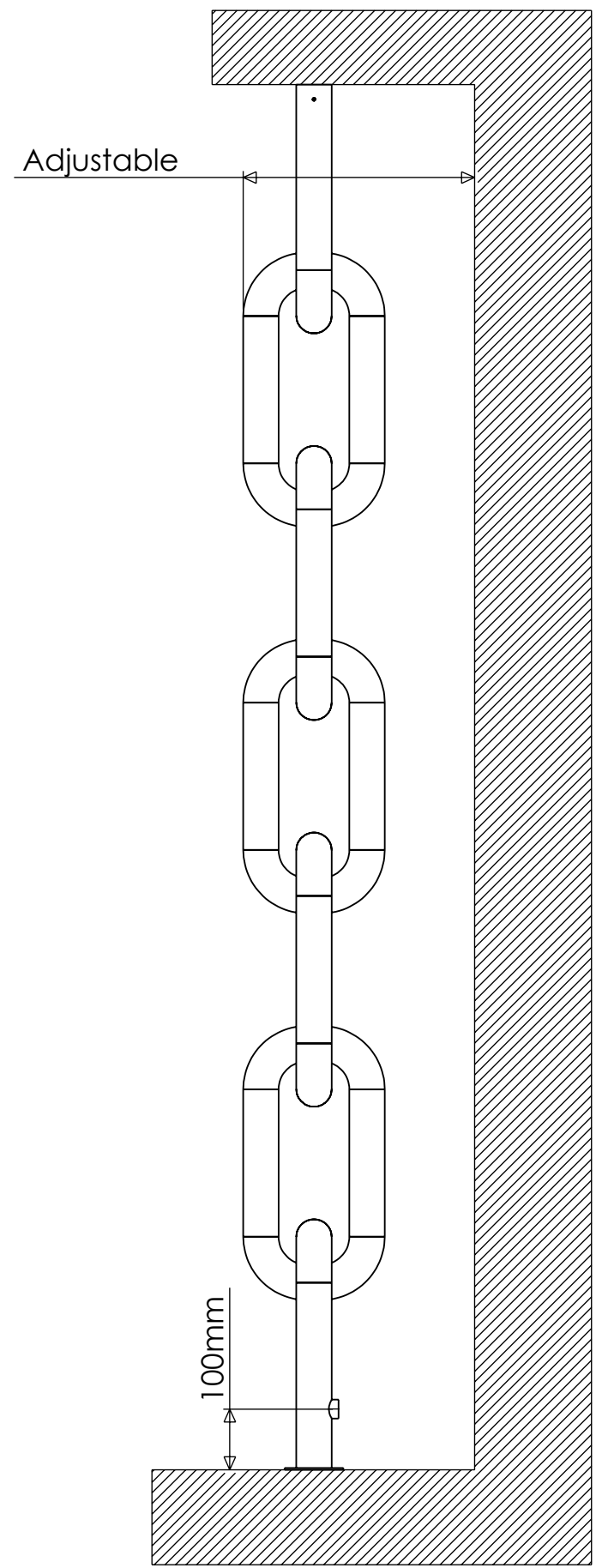
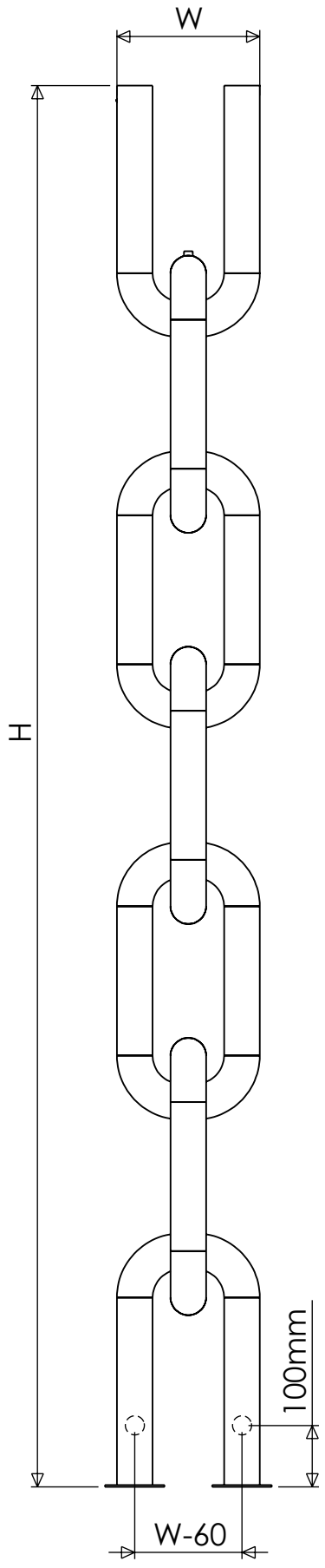


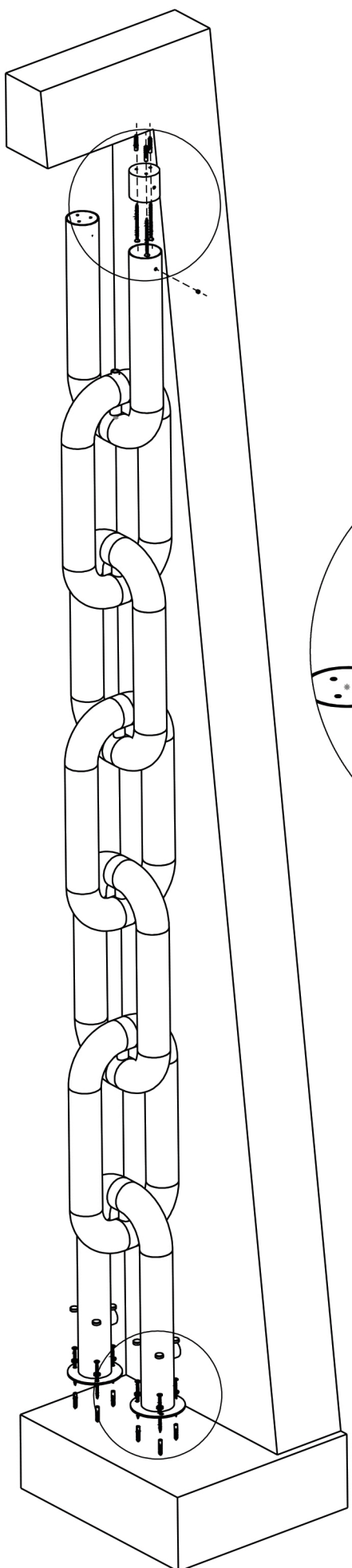
# LINK FLOOR







# TECHNICAL DATA

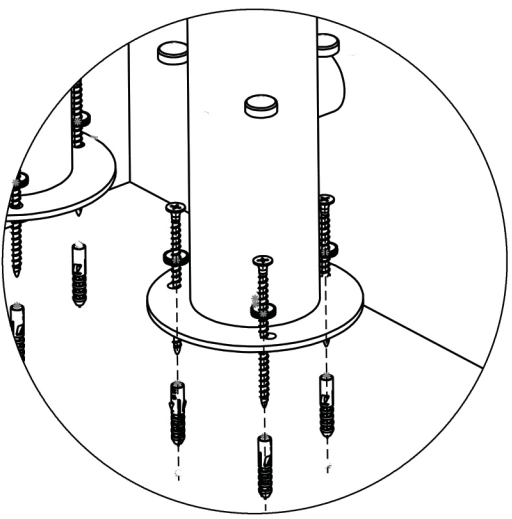
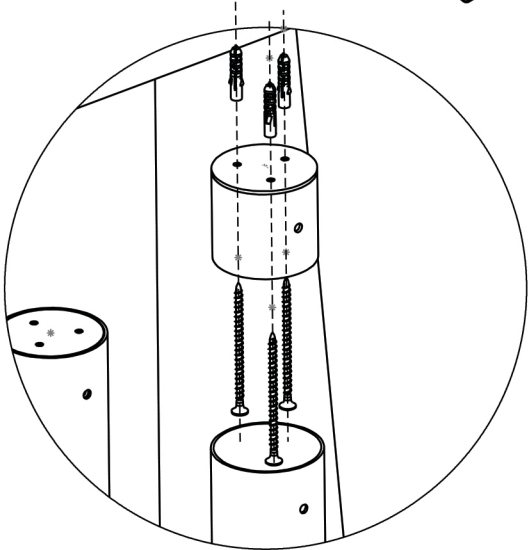


# LINK FLOOR

# FITTING INSTRUCTIONS



Key	Component	Qty
	<b>A</b> Ceiling Mounting Brackets	<b>2</b>
	<b>B</b> Grub Screw	<b>2</b>
	<b>C</b> Shim	<b>6</b>
	<b>D</b> Screw Cap	<b>6</b>
	<b>E</b> Screw-5,5x45mm	<b>12</b>
	<b>F</b> Wall Plug	<b>12</b>



### Assembly Instructions

Use bleeding valve key to turn bleeding valve on final installation.

Accurately mark out bracket holes on wall using spirit level.

Drill 3x4 (12) 8mm holes for floor and ceiling mounting brackets (A) and place the wall plugs (F) into the holes.

Screw brackets (A) into wall plugs (F) with 5,5 x45mm screws (E) (Put shim/washer (C) on screw before screwing).

Hang radiators by centering the studs (on radiator back side) into the brackets (A).

Set the floor and ceiling distance and secure the stud with the grub screw (B).

Fix the screw cap (D) on the screw head.