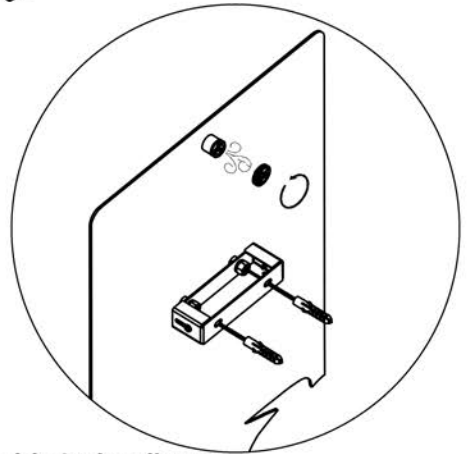


| Key | Component | Qty |
|---|-------------------------------|-----|
|  | A Bleeding Valve Key | 1 |
|  | B Bleeding Valve 1/2 " | 1 |
|  | C M10 Stud | 4 |
|  | D Spring Washers | 4 |
|  | E M10 Nuts | 4 |
|  | F Product Bracket | 2 |
|  | G Wall Bracket | 2 |
|  | H Screw-5x16mm | 4 |
|  | I Screw-5,5x45mm | 4 |
|  | J Wall Plug | 4 |



Assembly Instructions:

Use Carisa bleeding valve key (A) to turn bleeding valve (B).

Accurately mark out bracket holes on wall using spirit level. (Using wall bracket (G))

Drill (2x2) 4 8mm holes for two wall bracket (G).

Place 4 wall plugs (J) into the hole and screw wall brackets (G) with 5,5x45 mm screws (I).

Assemble the M10 studs (C) into the M10 nuts which are welded over radiator by hand or allen key.

Fit the Product bracket (F) by centering the assembled studs on the back of radiator.

Fix the product bracket using with Spring washers (D) and M10 Nuts (E).

Hang the radiator by engaging each other product bracket and wall bracket.

Fix the engaged brackets with the Screw-5,5*16mm (H) after setting wall distance.

