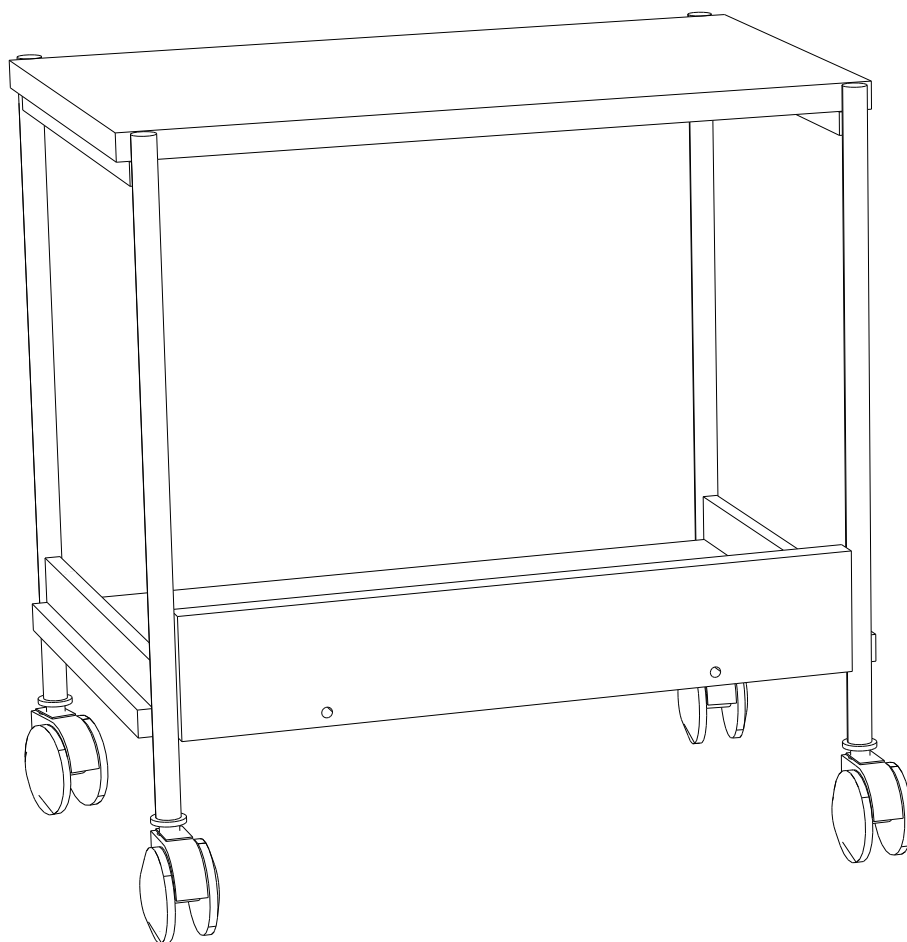
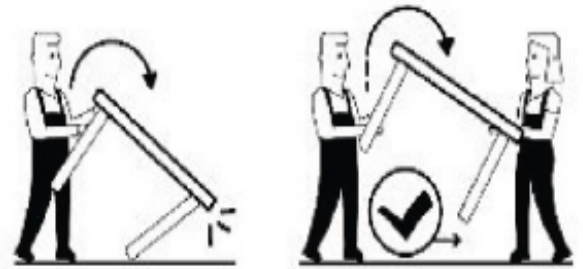
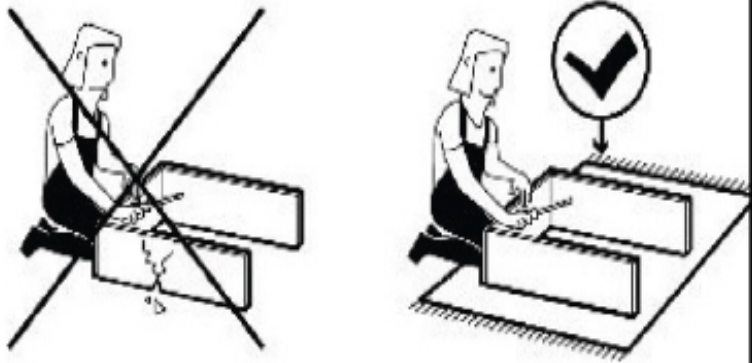
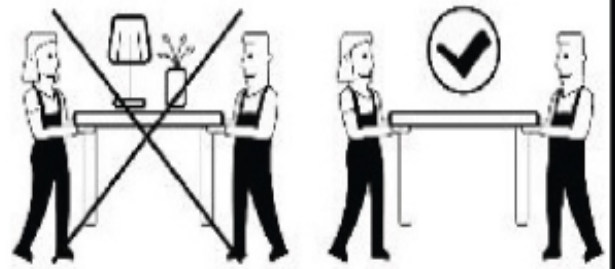
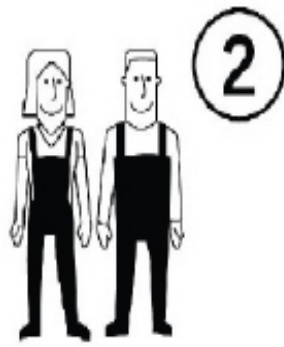


ELLA

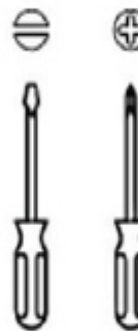
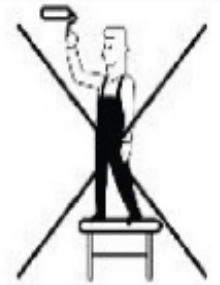
COFFEE TABLE



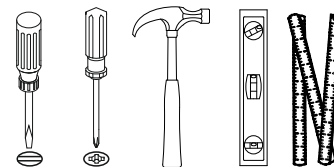


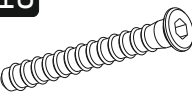
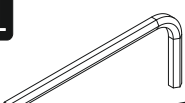
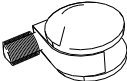
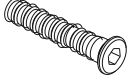
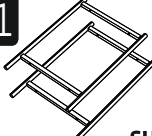

0286 316 80 80

info@lagomood.com



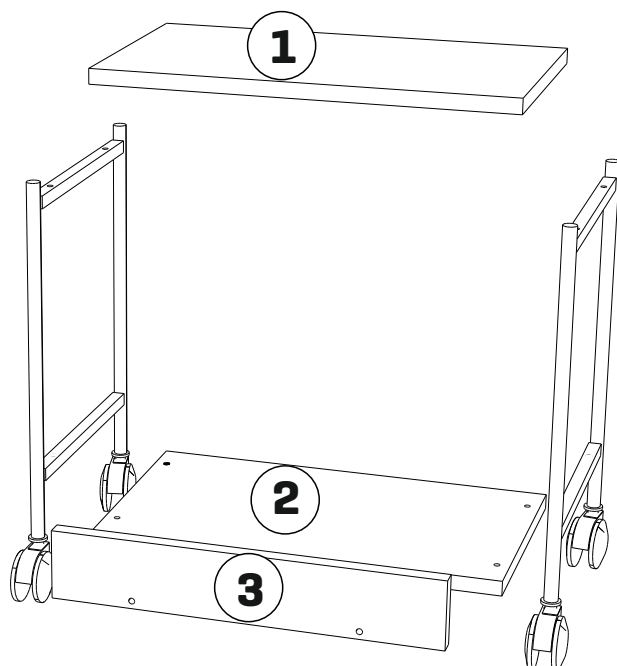
ACCESSORY LIST

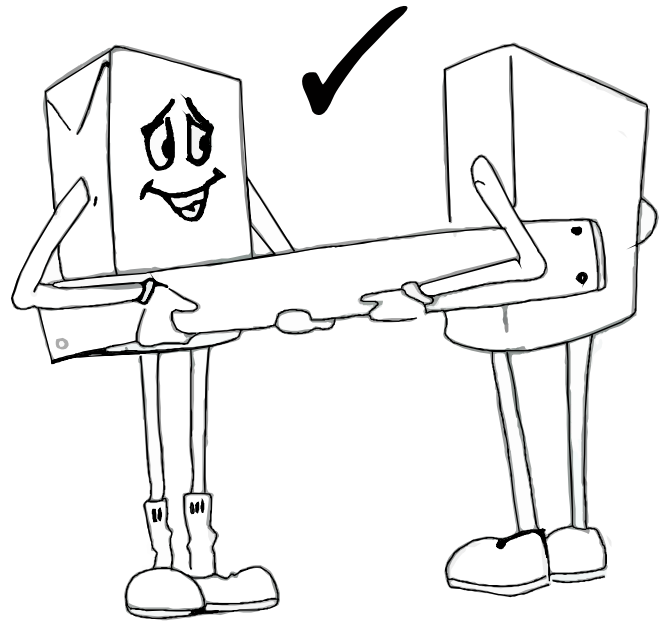
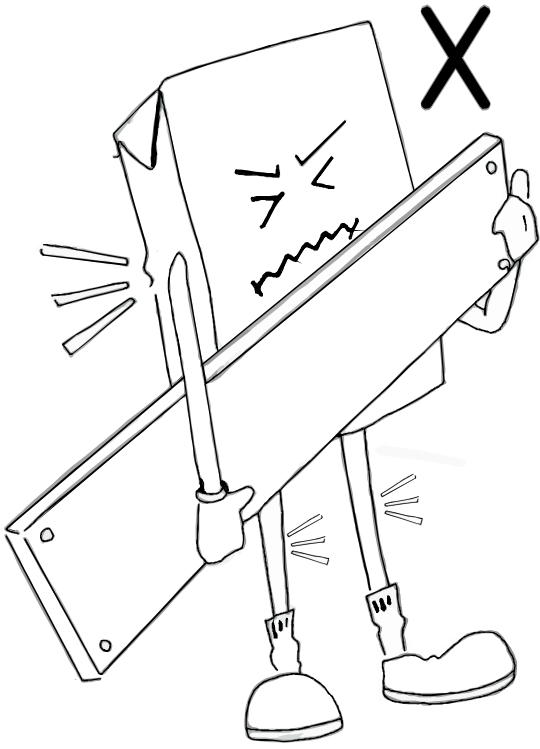


| | | | | |
|---|--|--|--|---|
| A10 KBN VDS  6x50 2x | A01 ALYN  4 SW 1x | T02 ANHTB TKR  4x | A02 ALYB VIDA  M6x30 8x | S01  SHP DMR |
| A03 18 mm  2x | | | | |

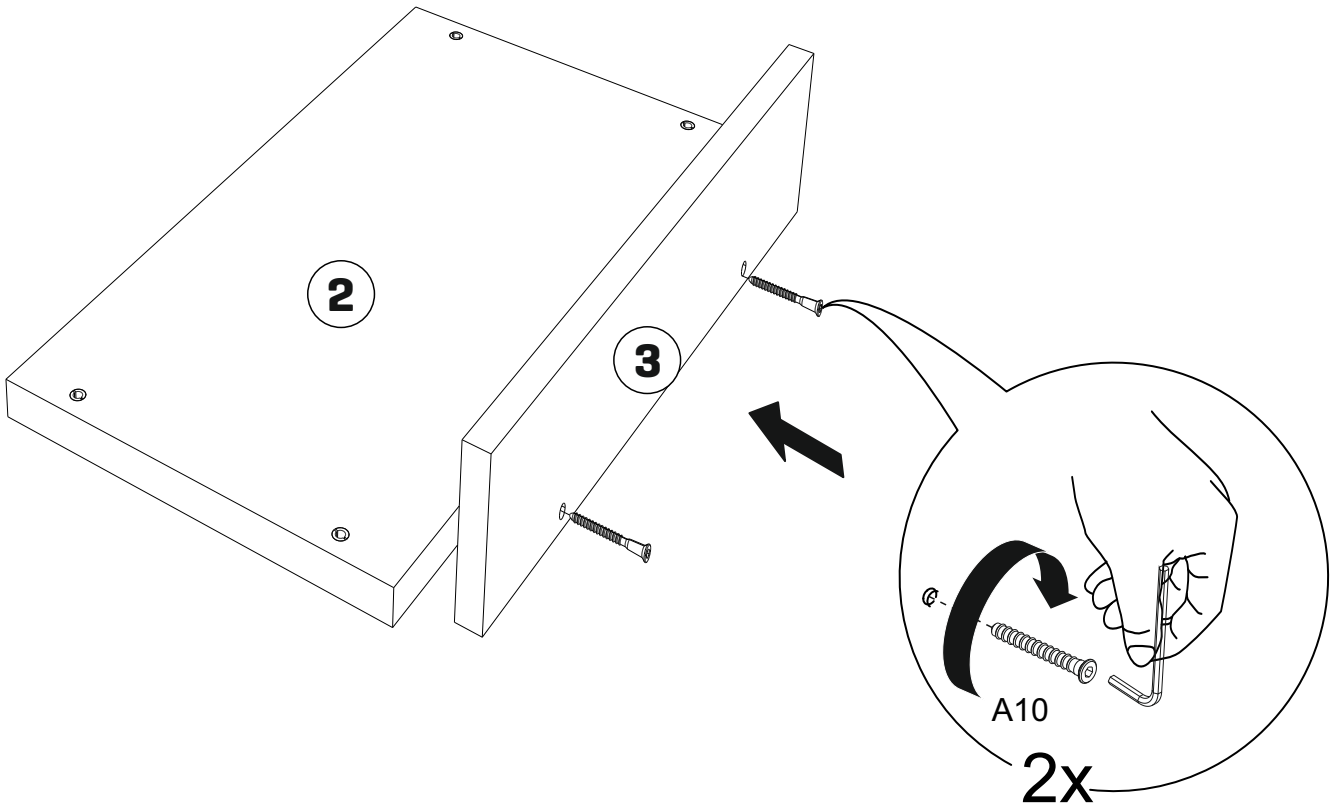
GENERAL VIEW

| No | Quantity | Dimensions | |
|----|----------|------------|-----|
| 01 | 1 | 488 | 282 |
| 02 | 1 | 488 | 282 |
| 03 | 1 | 442 | 80 |



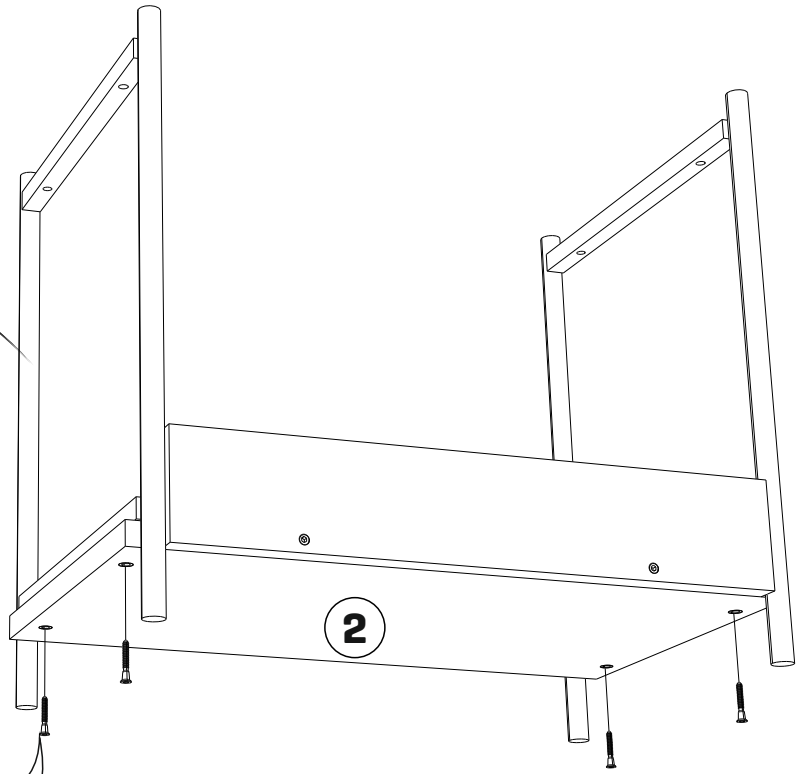
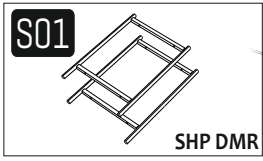


1

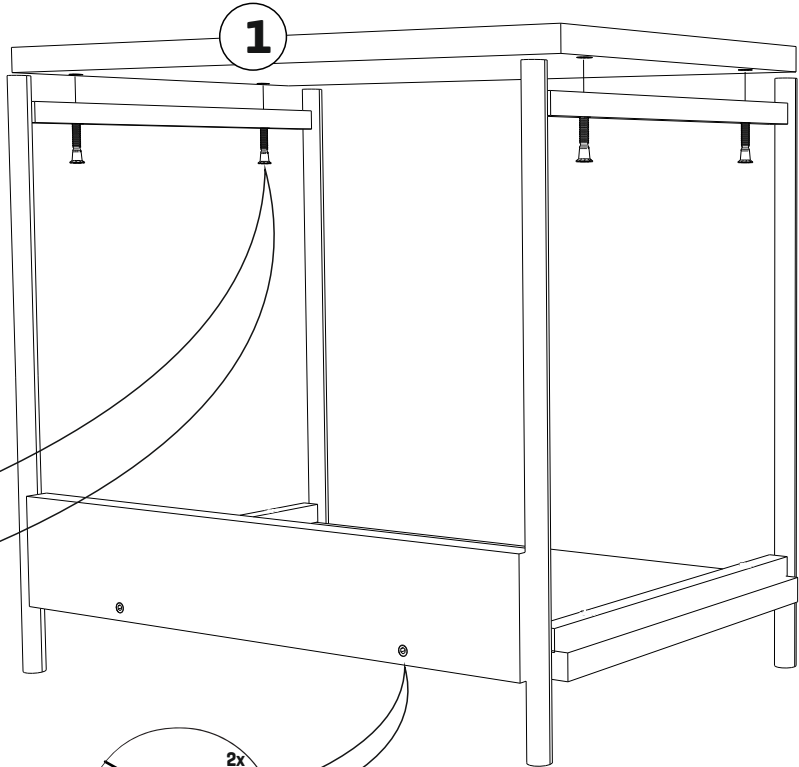


3

2

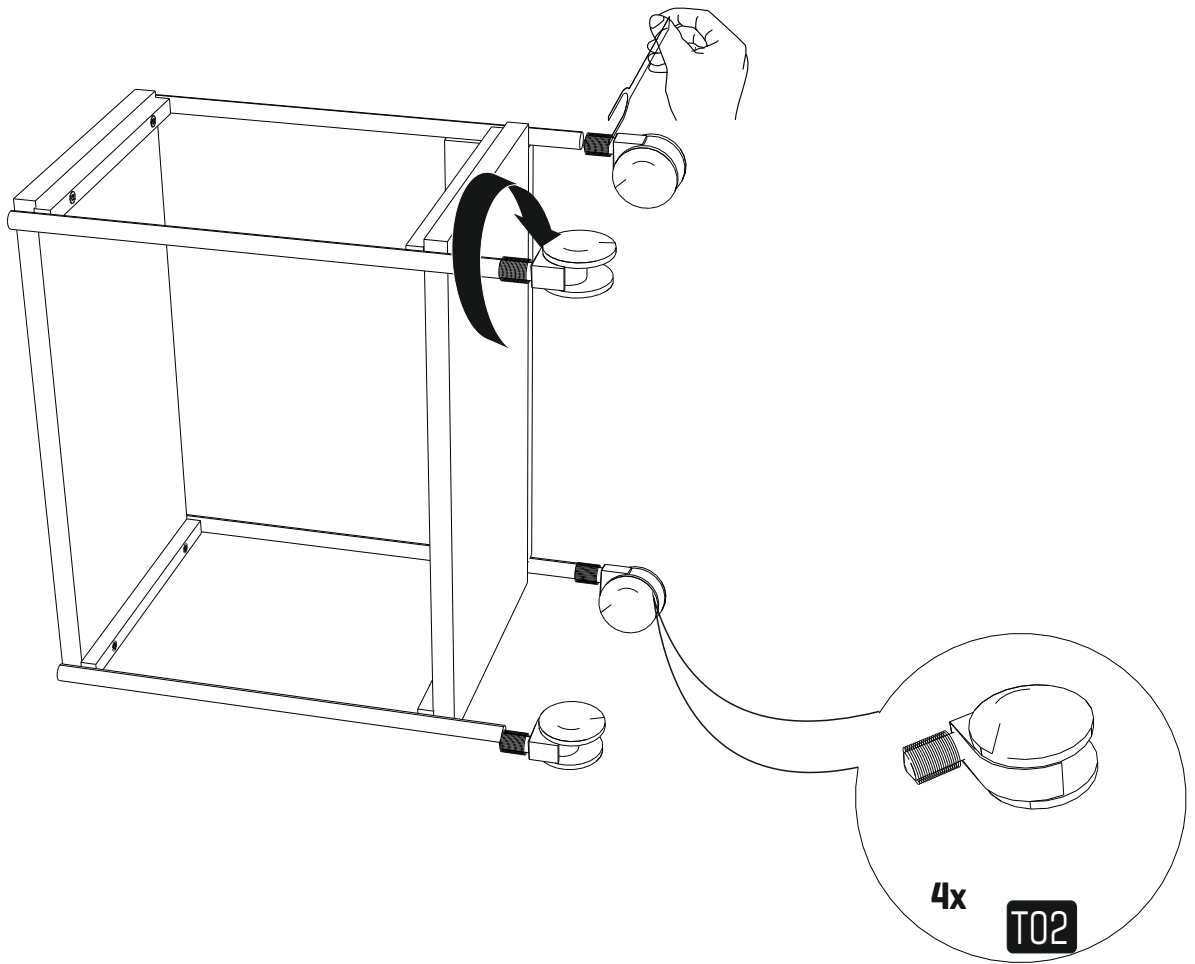


3

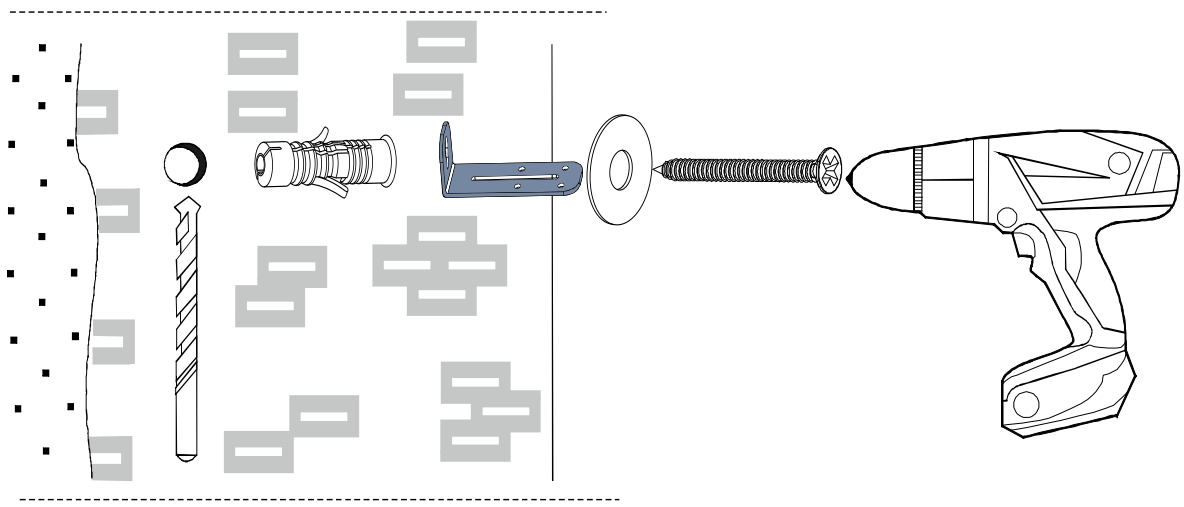


4

4



PLEASE NOTE THAT



Check the wall type before installation of dowel. Wall is drilled with equal diameter of dowel.
[08mm] Universal Plastic Dowel provides the general purpose usage.
Requires two stages assembly. Dowel can be different type according to the wall type.
[E.g. Plaster sheet partition wall, gas concrete, hollow brick wall].
If required, use appropriate dowels and screws.

5



WARNING

CHOKING HAZARD

- This unit contains small parts which could be a choking hazard for small children. Children should be under adult supervision at all times.
- Do not overload the unit. Each shelf has a recommended capacity of 13 pounds, and the total weight on the unit should not exceed 39 pounds for wall shelves.
- Do not climb, step, or stand on the unit.
- Do not mount or attach items to the front, rear, or sides of the unit. This can cause the unit to become unbalanced and fall.
- Do not stack units.
- All units must be secured individually to wall studs using hardware provided. If wall studs are not accessible, consult your local hardware store for appropriate mounting hardware.
- We recommend you hand-tighten screws. Use care not to overtighten if using power tools. Follow proper safety procedures if using power tools and/or ladders.
- We recommend you protect your work surface during assembly to prevent scratching or damage to tabletops, wood floors, etc.
- Failure to follow the instructions listed here could result in bodily injury or damage to personal belongings. Use caution and follow safety procedures.