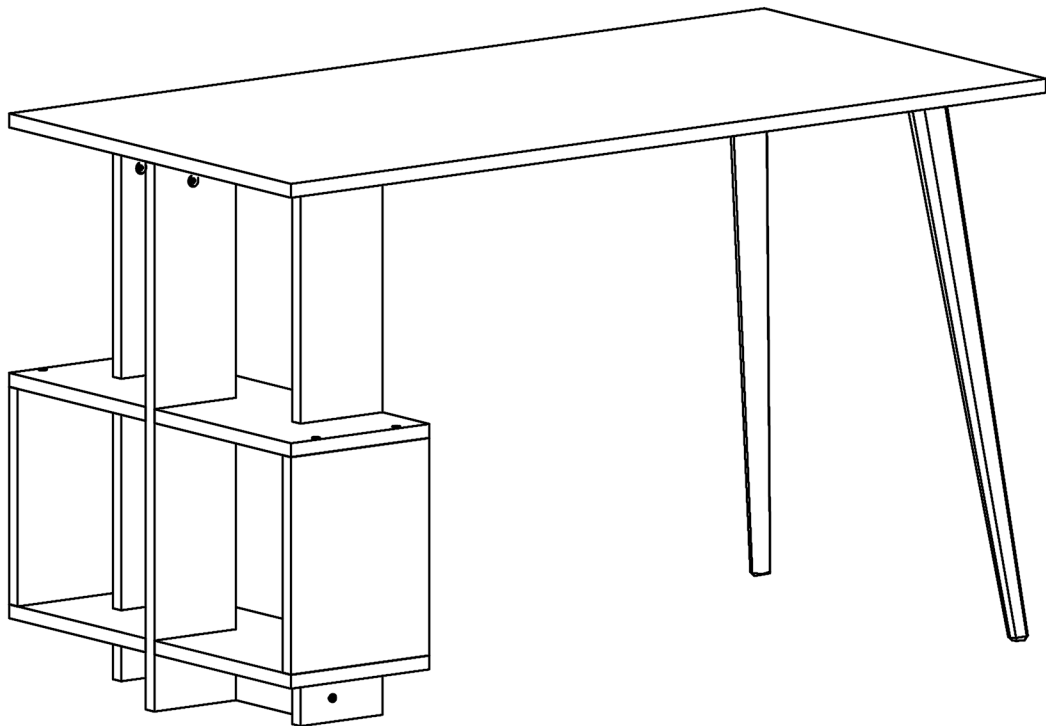
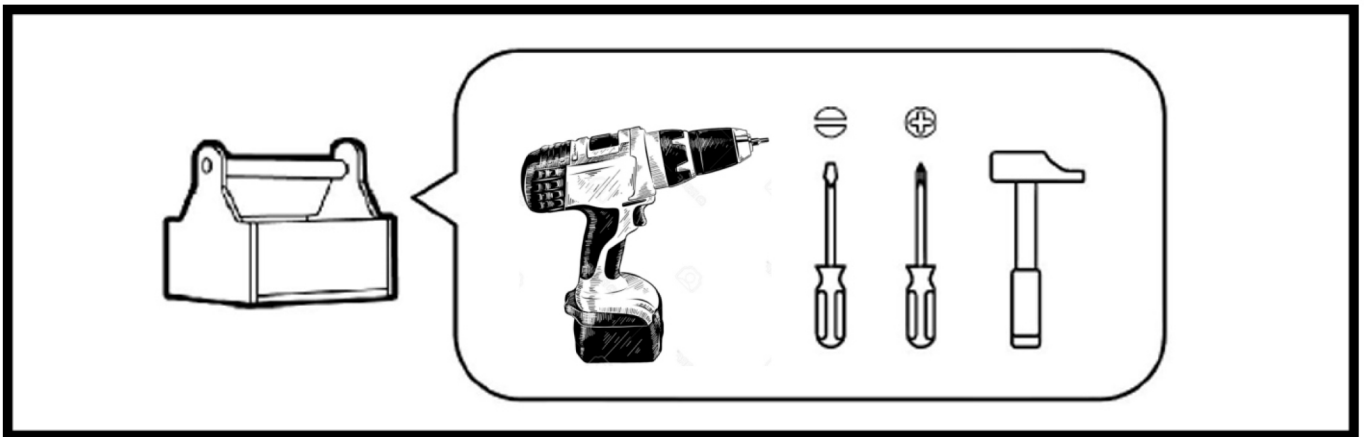
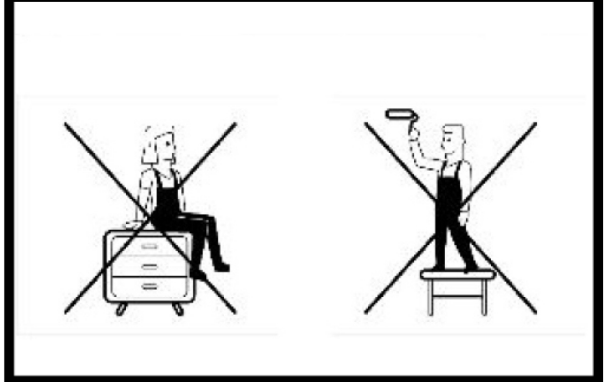
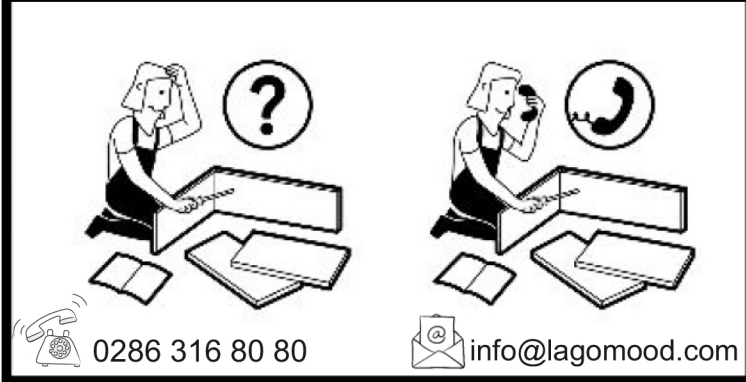
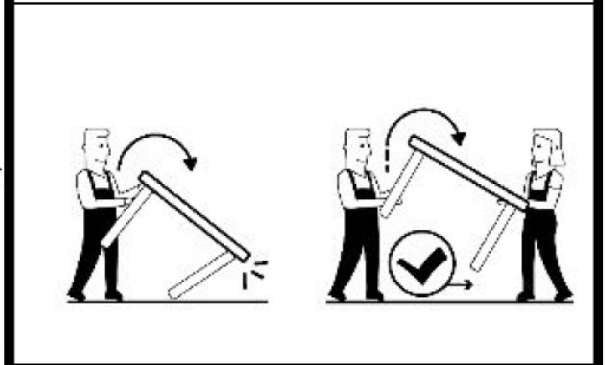
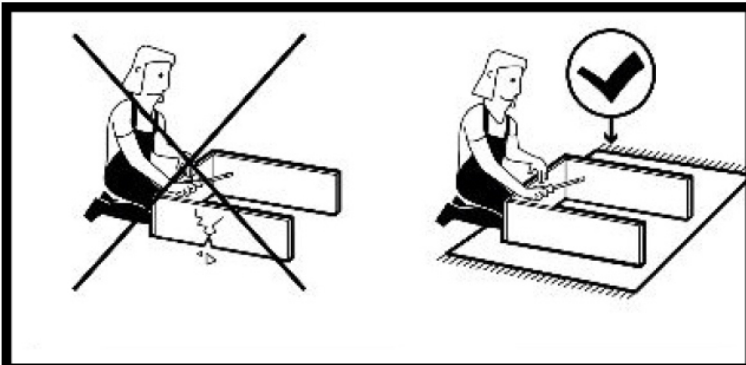
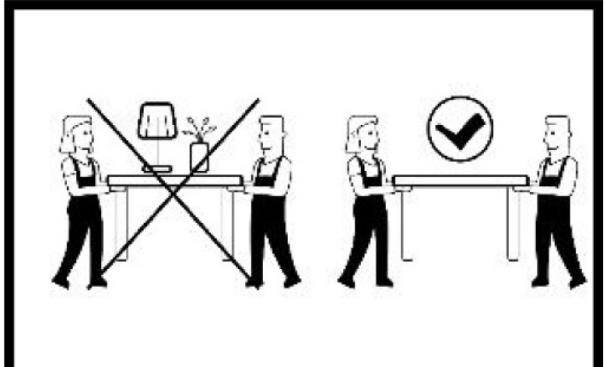
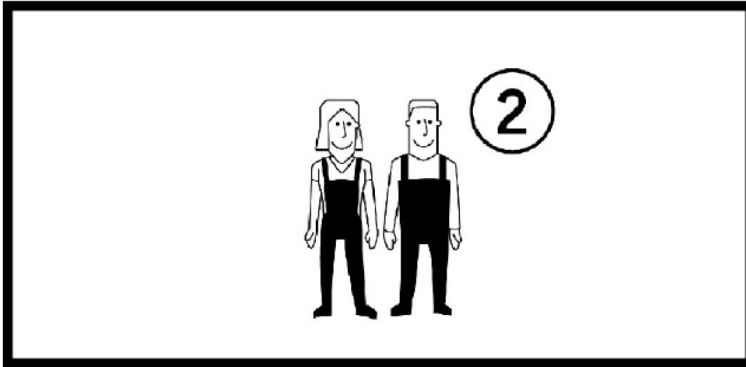


# SIDE






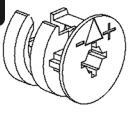


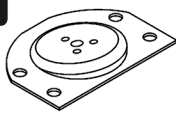

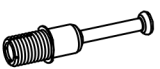
# DESK

---



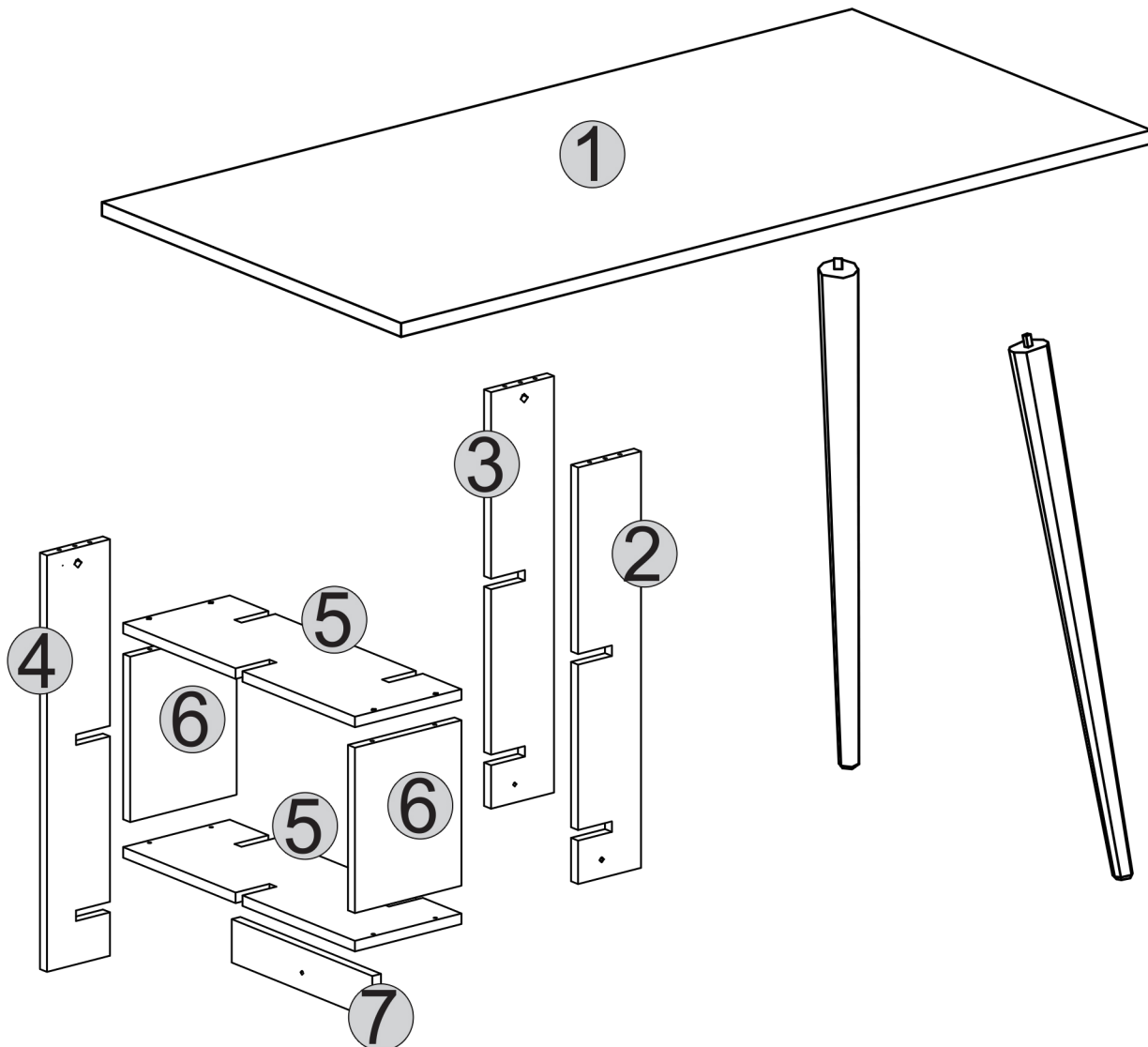


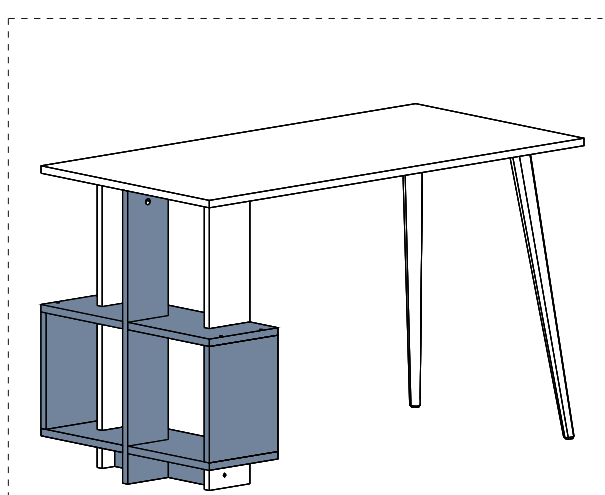
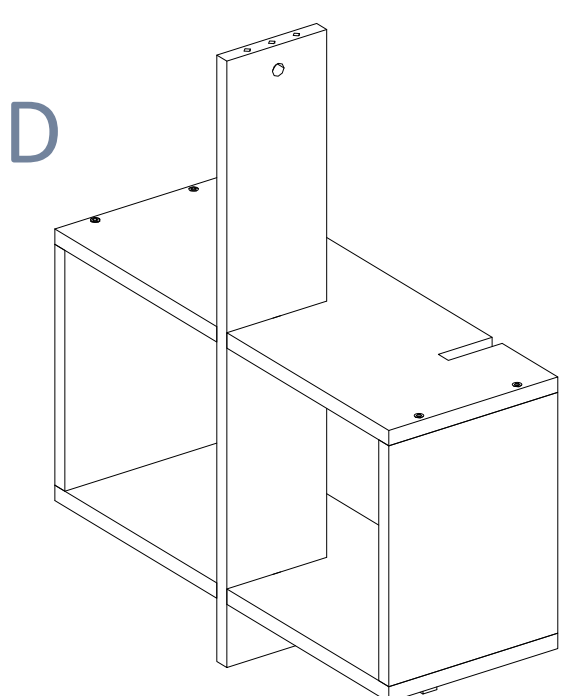
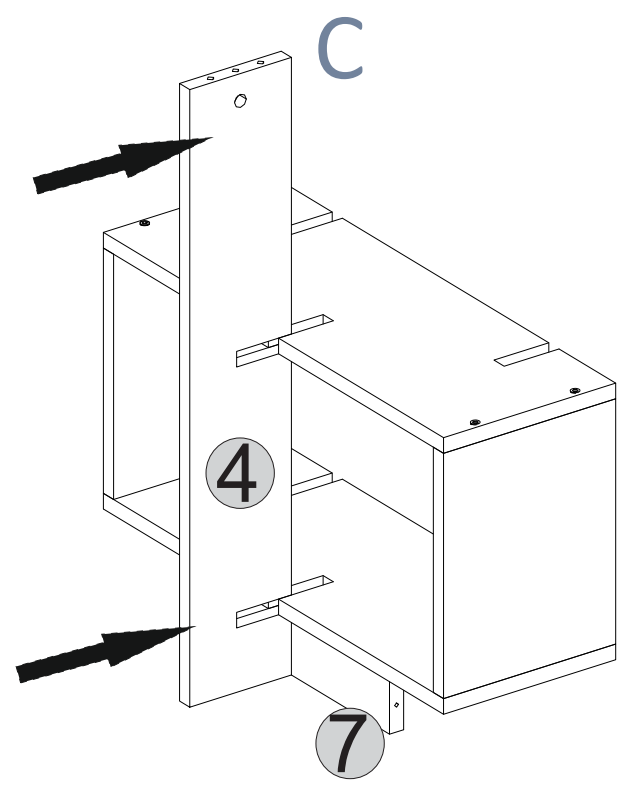
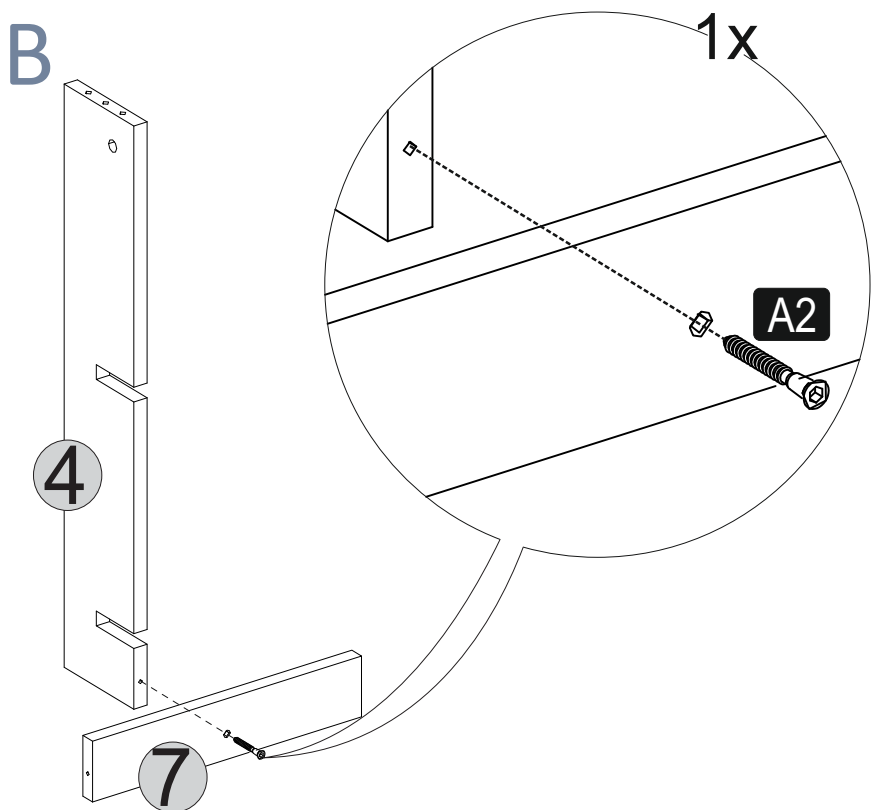
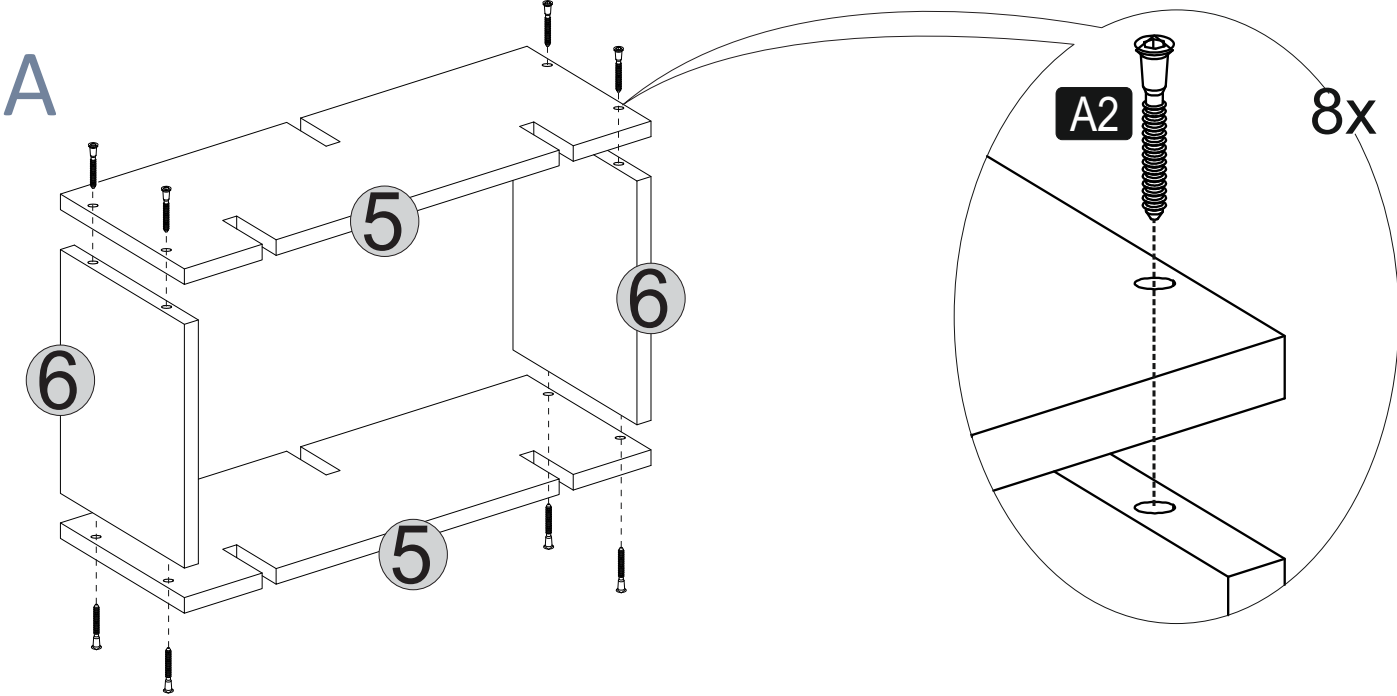
# ACCESSORY LIST

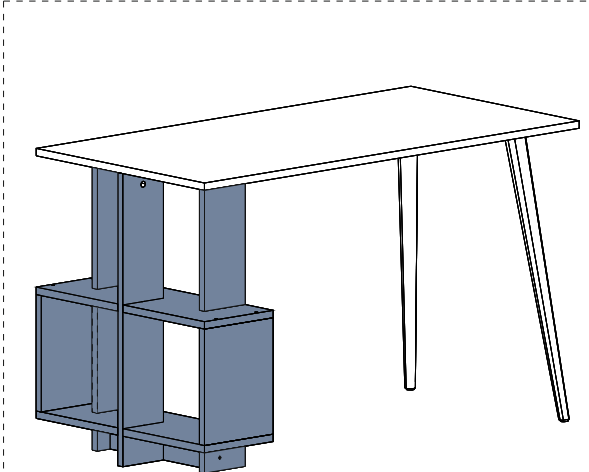
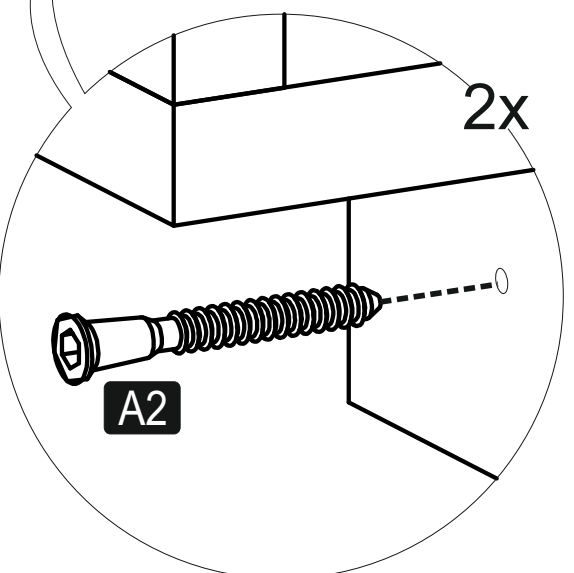
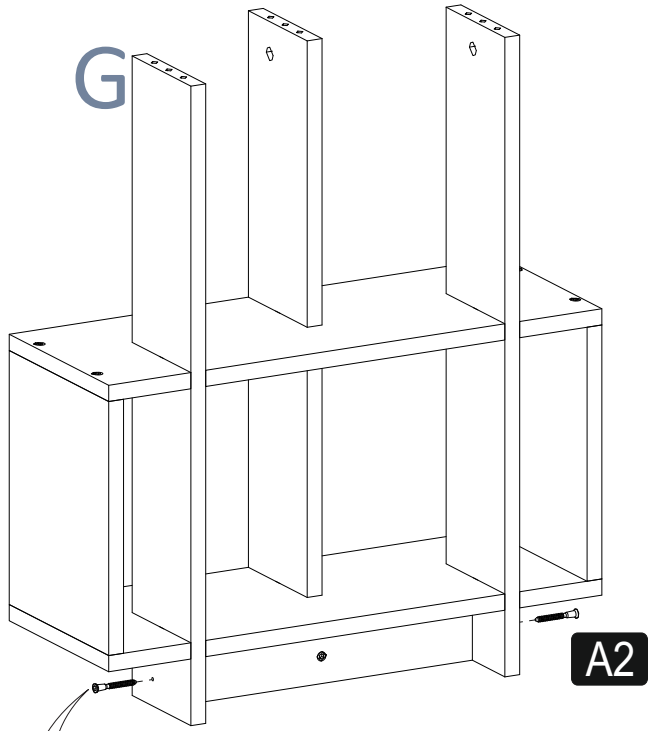
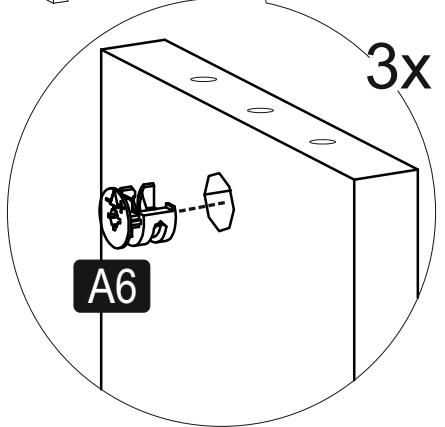
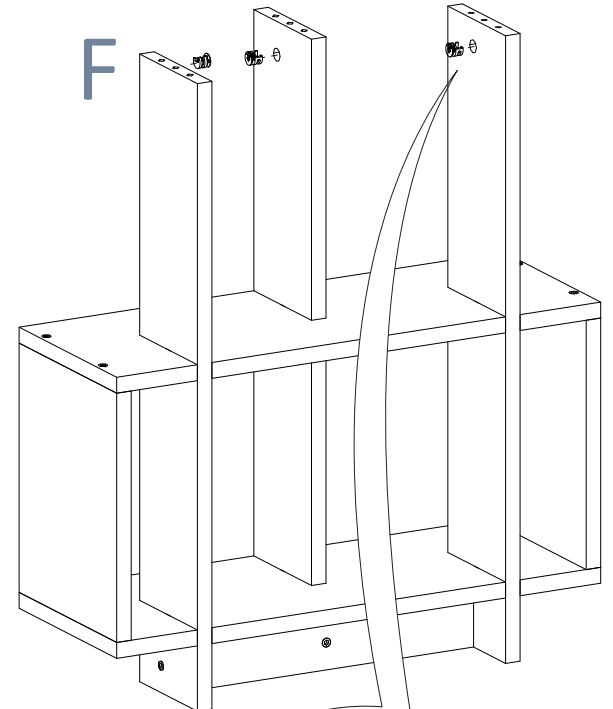
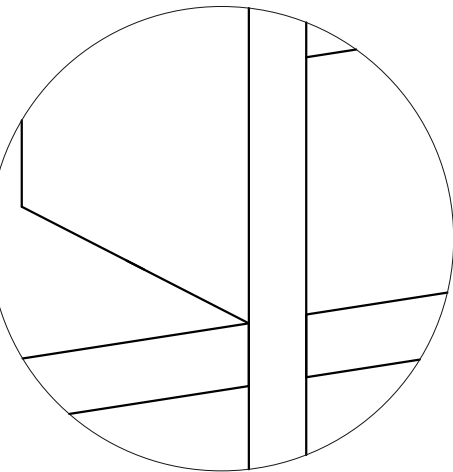
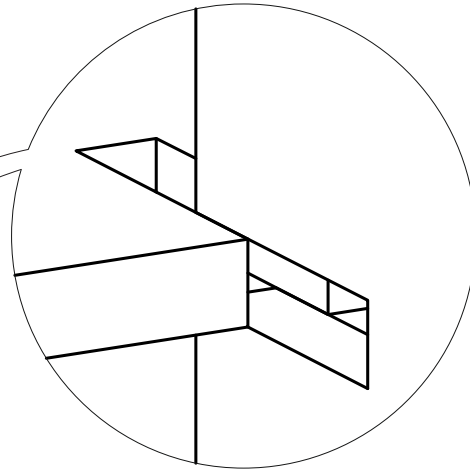
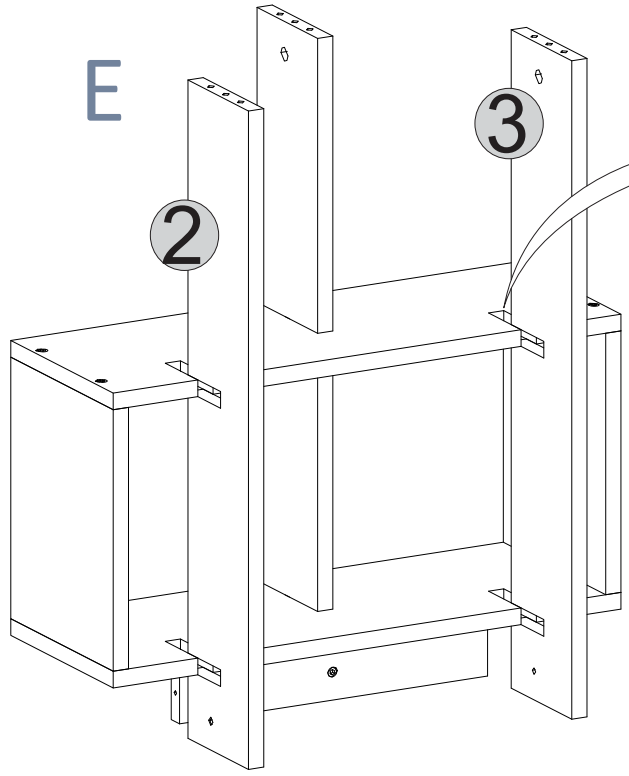
<b>A1</b>  1x	<b>A2</b>  11x	<b>C1</b>  8x	<b>C2</b>  6x	<b>A5</b>  6x
<b>A6</b>  3x	<b>A7</b>  5x20 8x	<b>A8</b>  2x	<b>A9</b>  2x	<b>B1</b>  2x
<b>A4</b>  3x				

1	1200	600	18	1
2	720	130	18	1
3	720	130	18	1
4	720	130	18	1
5	600	220	18	2
6	282	220	18	2
7	362	74	18	1

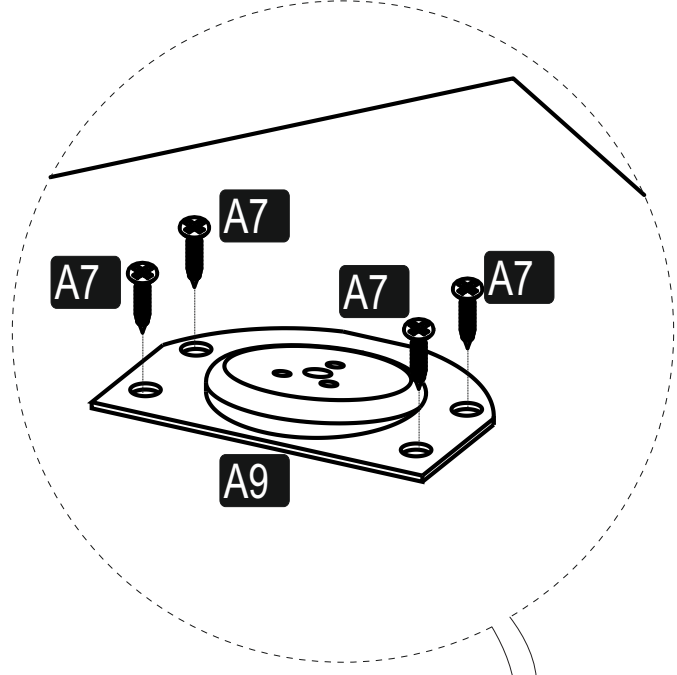
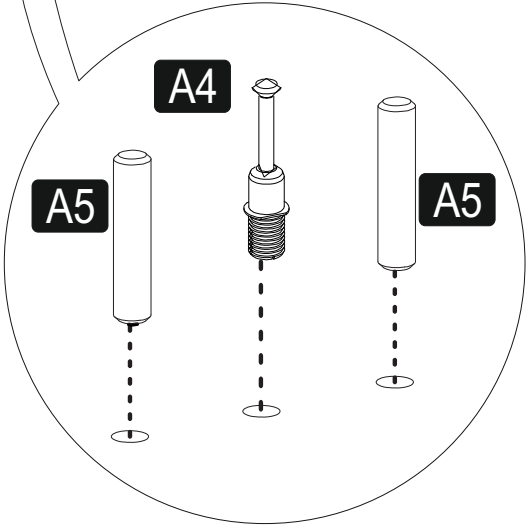
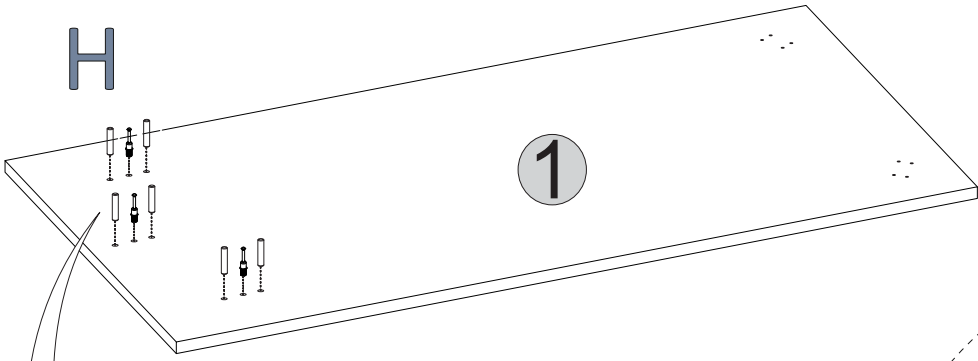
## GENERAL VIEW



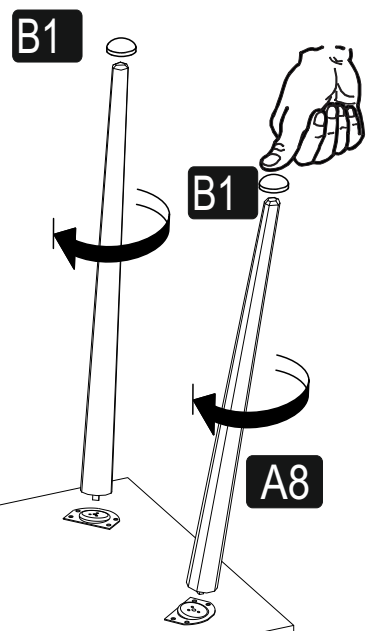
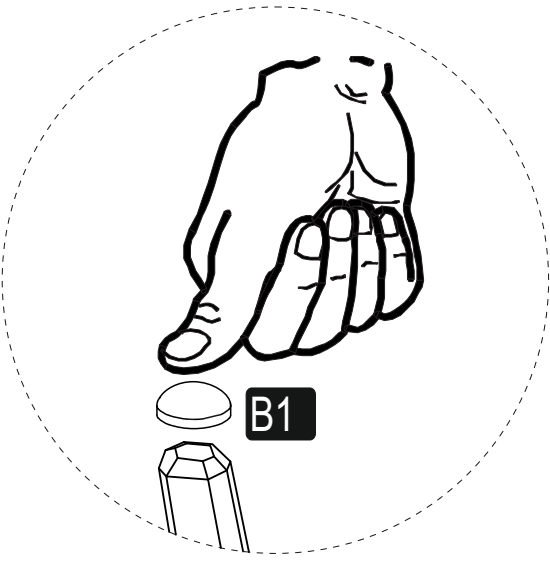
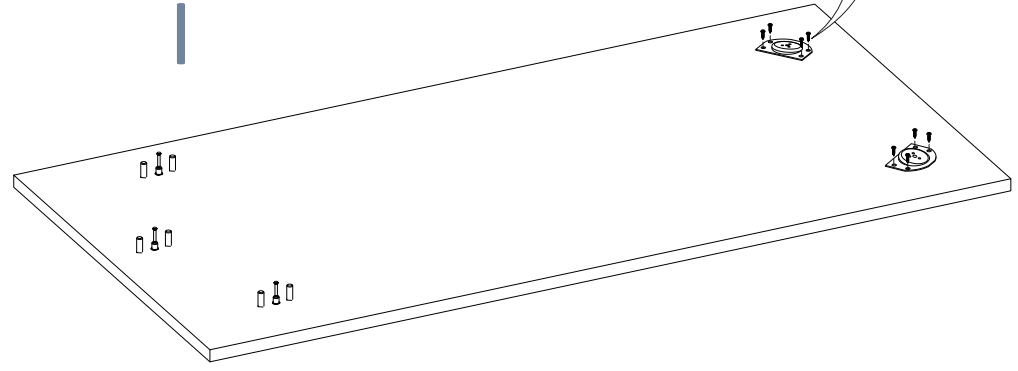




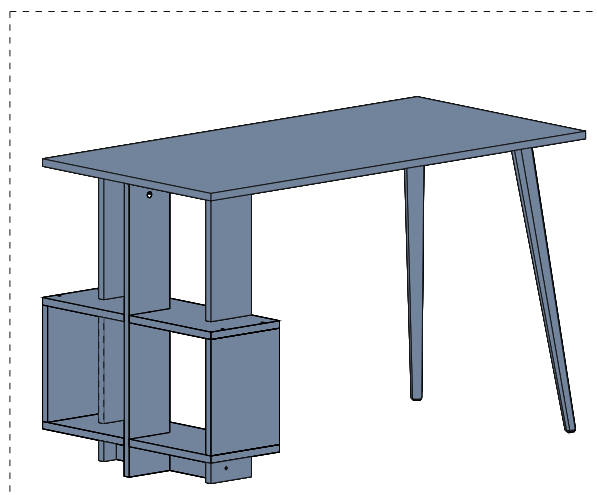
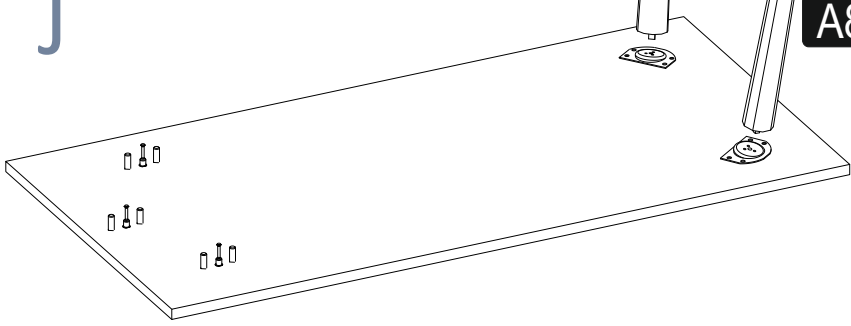
H



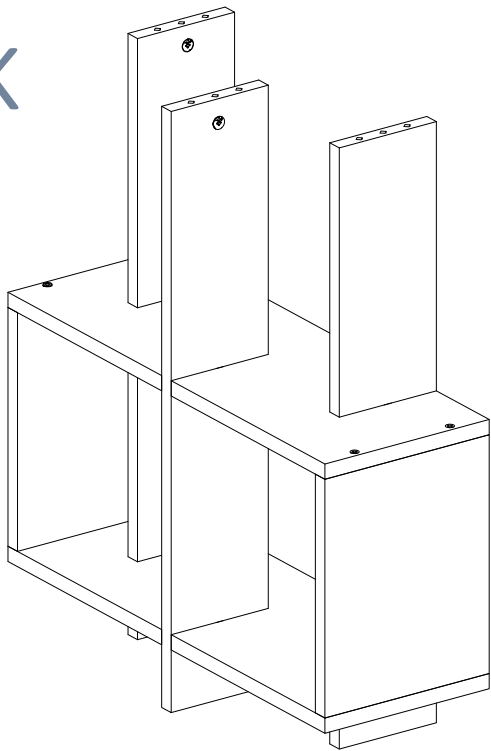
I



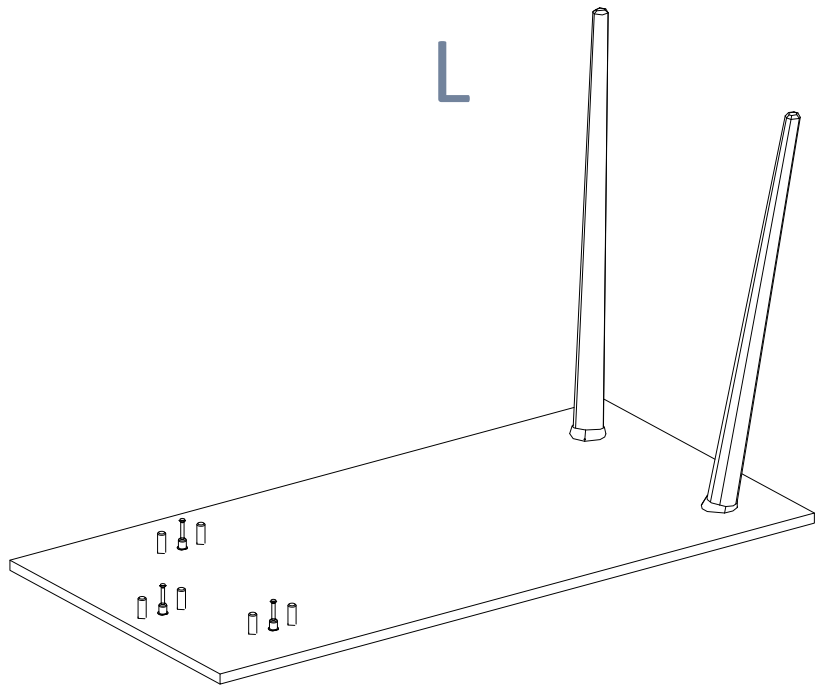
J



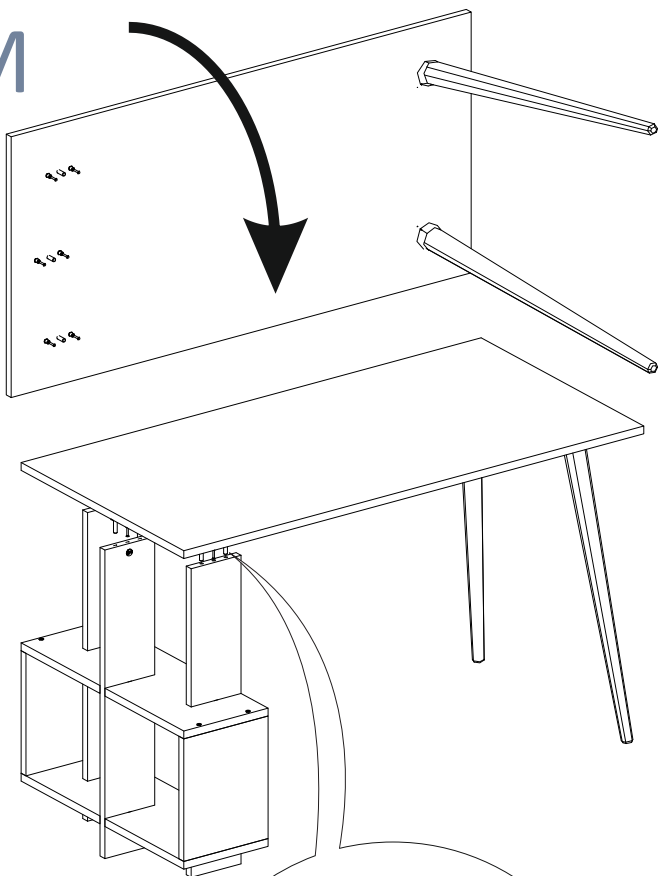
K



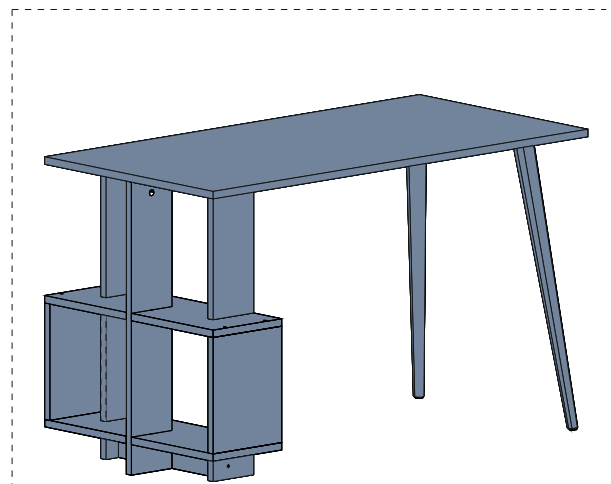
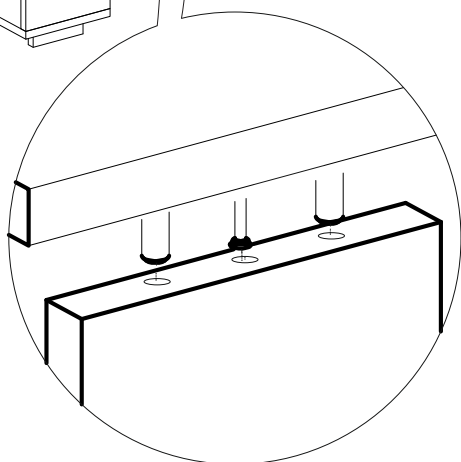
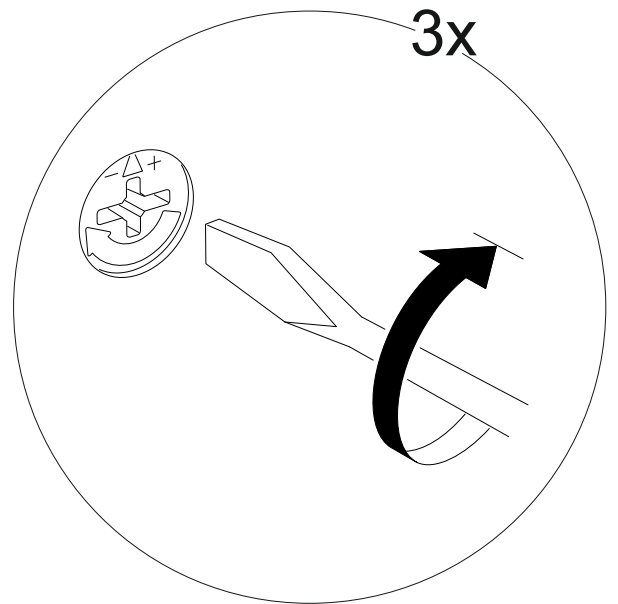
L



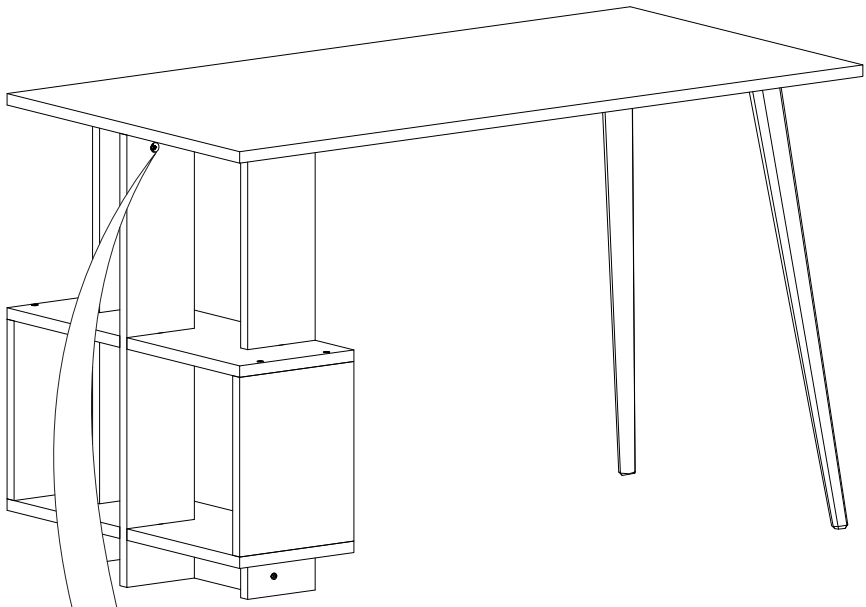
M



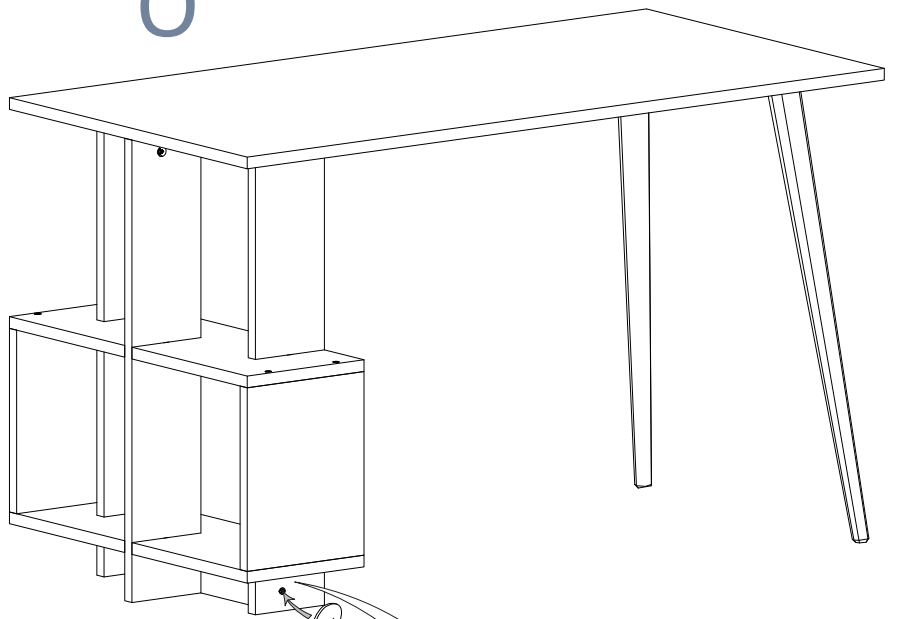
3x



N



O



C1 C2

C1 C2