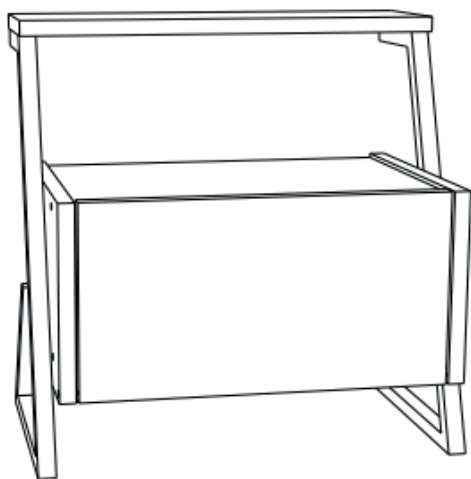
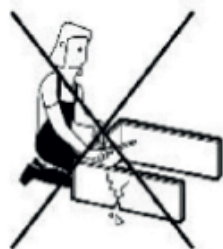
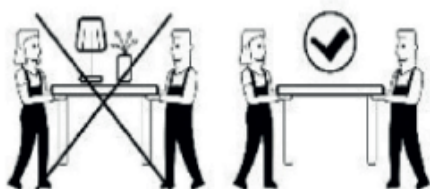


ZAMAN

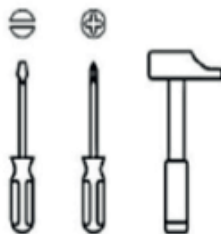
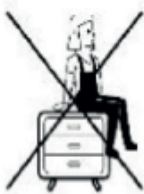
NIGHTSTAND















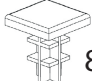
0286 316 80 80

info@lagomood.com

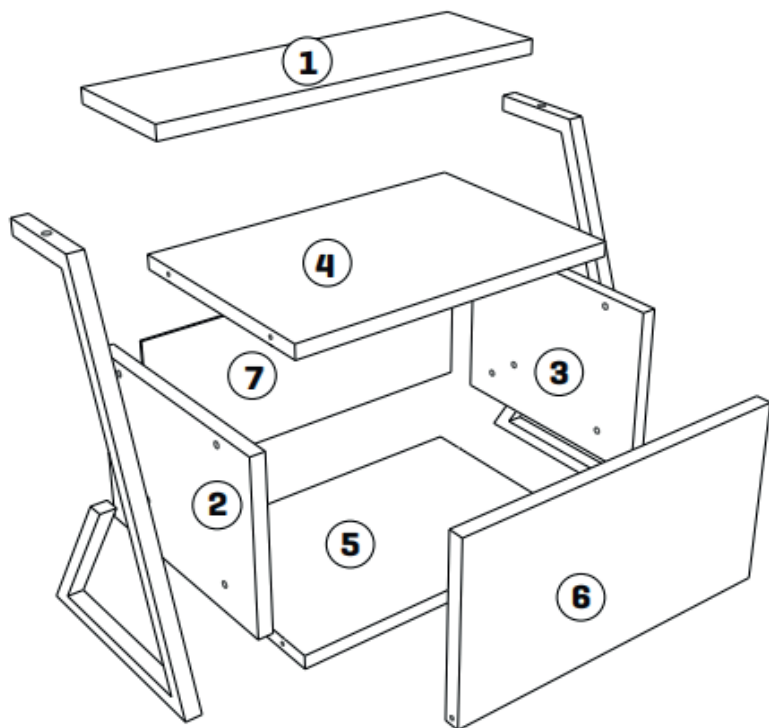


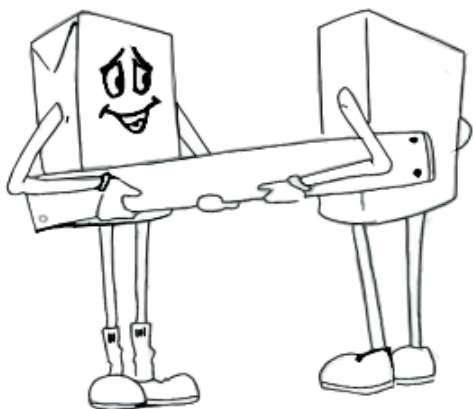
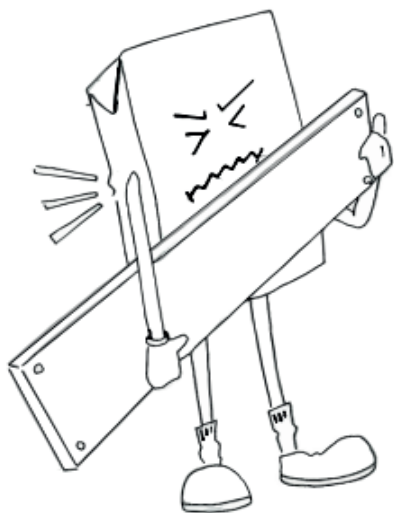
ACCESSORY LIST



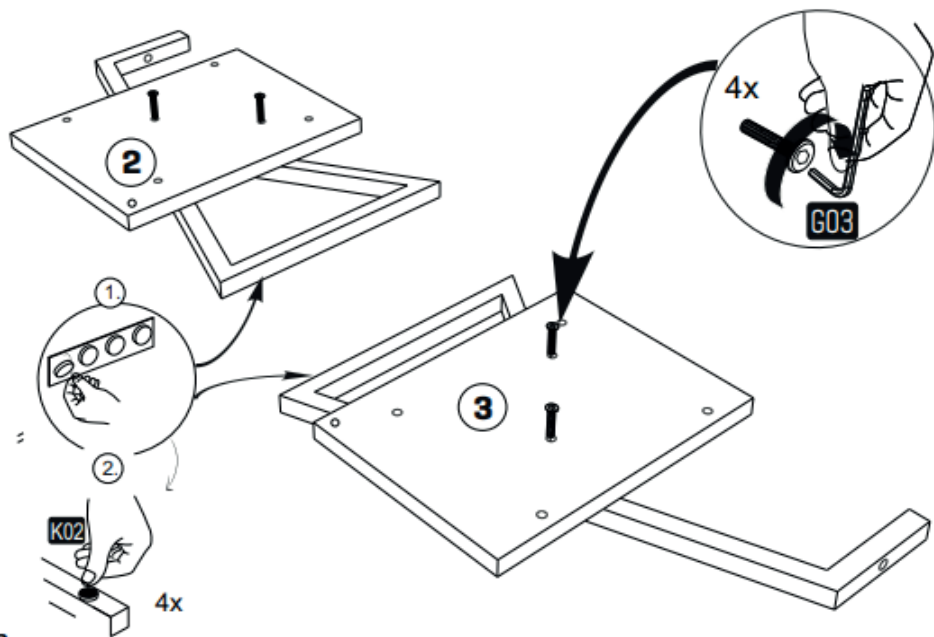
LAG 24  DMR AYK 1x	K01 KBN VDS  6x50 8x	A02 ALYN  4 sw 1x	K02 Felt  Ø15x3 4x	V01 3,5x18  4x
P04 18 mm  Rt 8x	M01 PLT MNTŞ  2x	C01 PLK ÇTÇT  1x	G03 M6X30  6x	A28 Arkalık Civisi  x13
A6  8x				

GENERAL VIEW



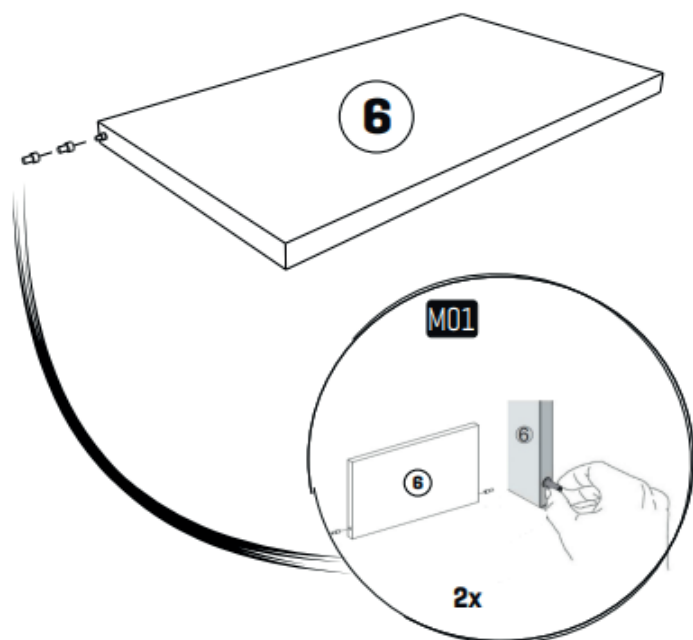


1

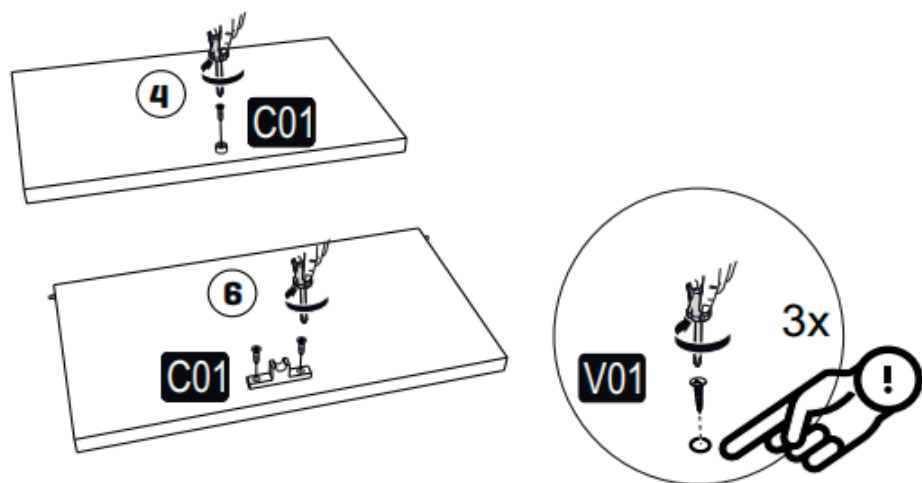


3

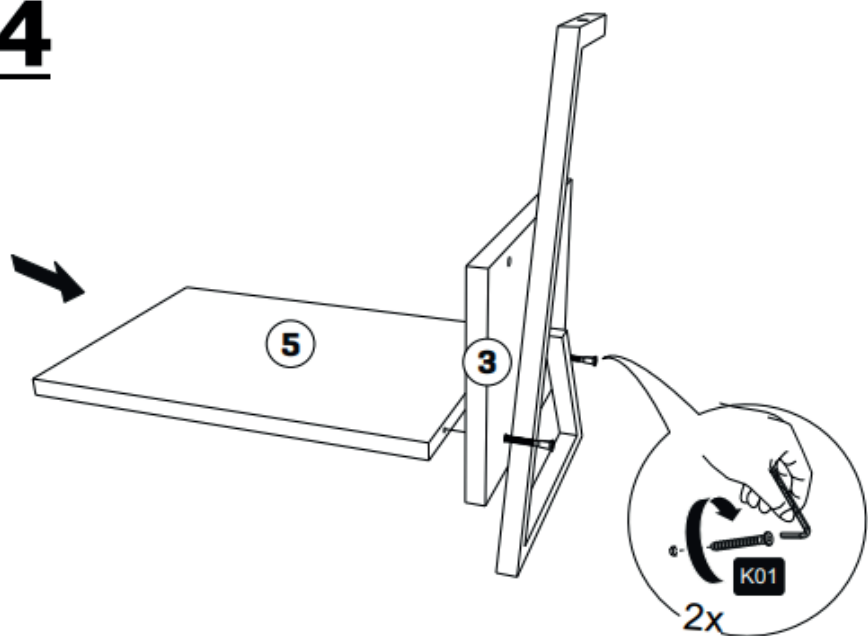
2



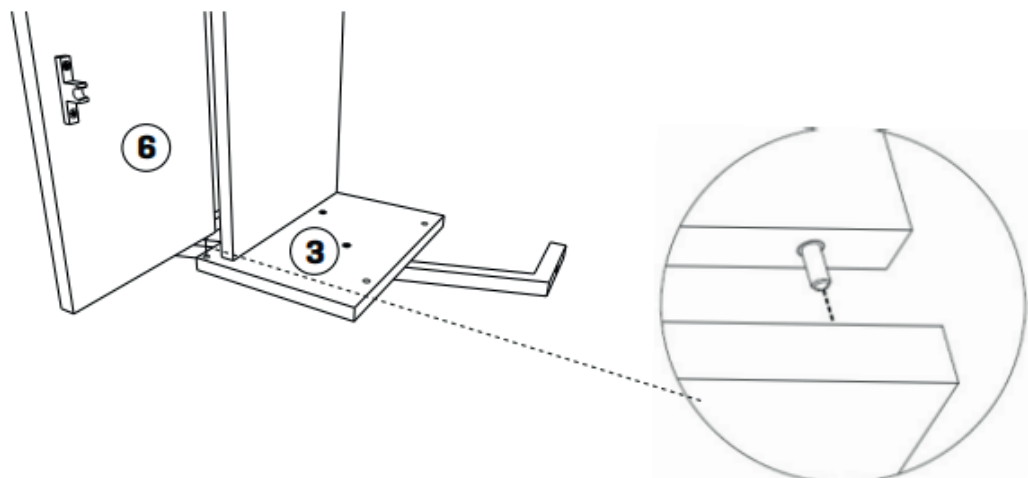
3



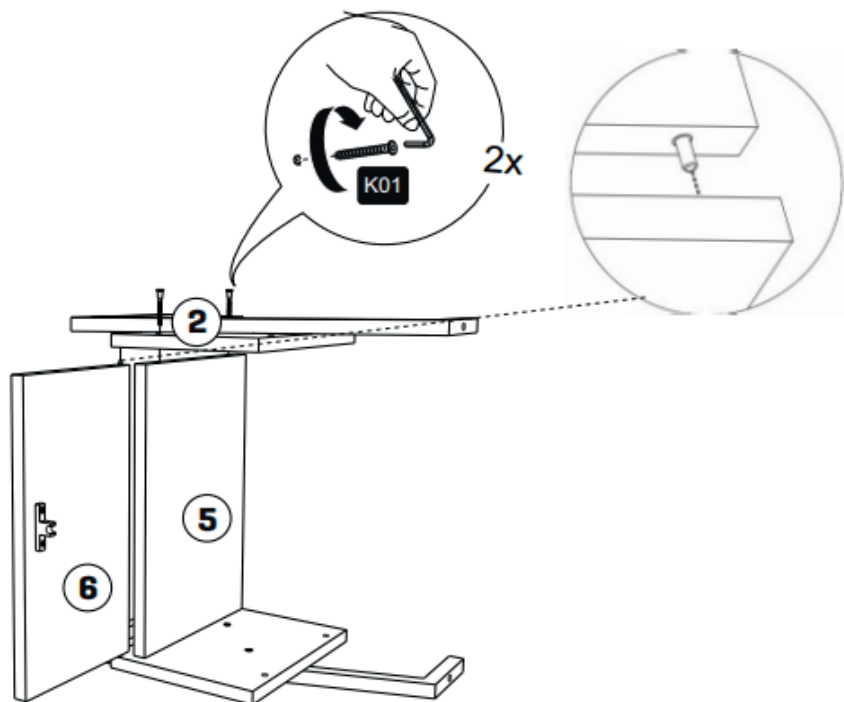
4



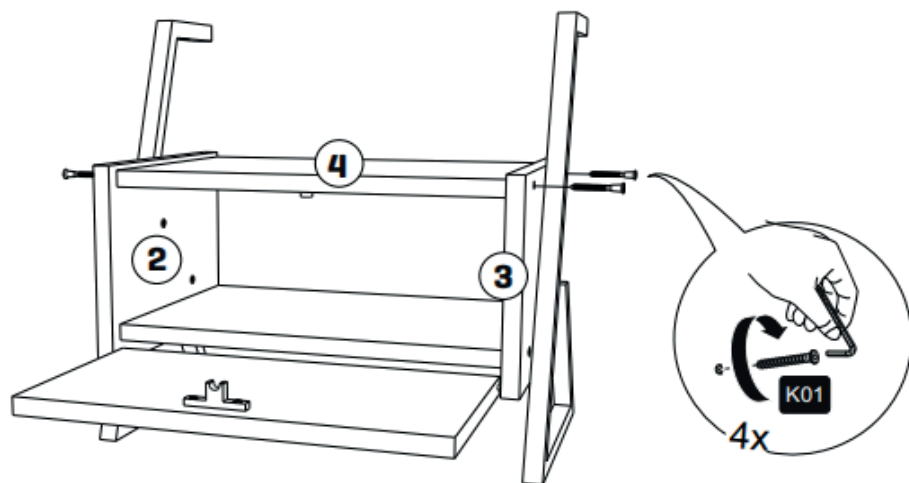
5



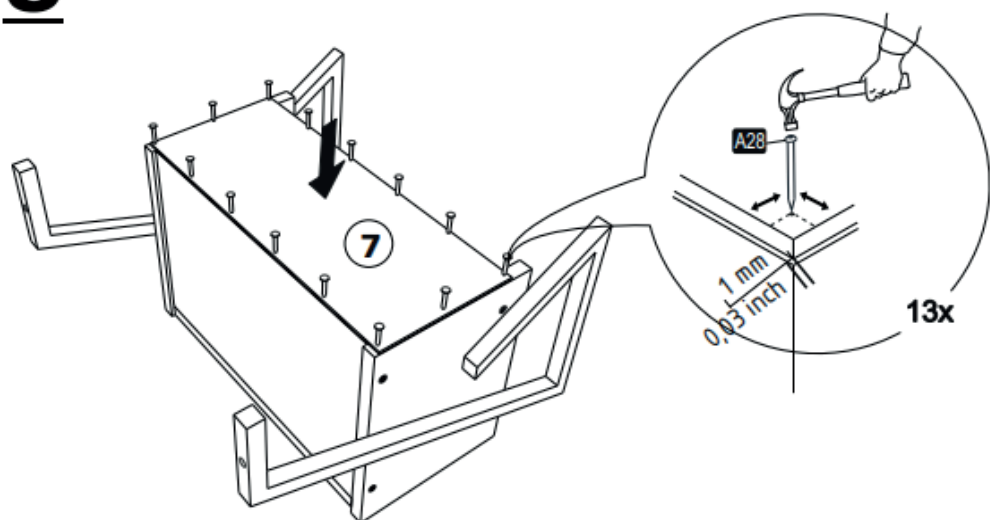
6



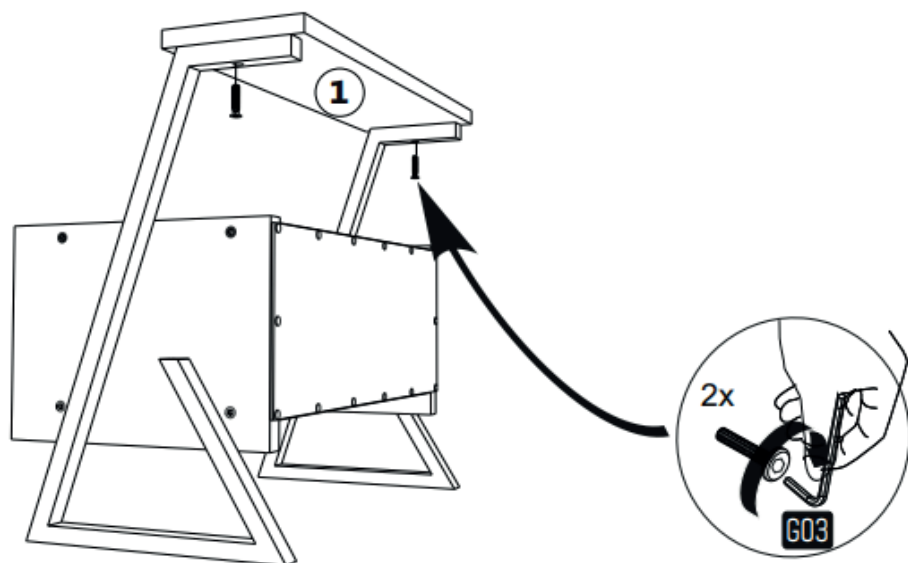
7



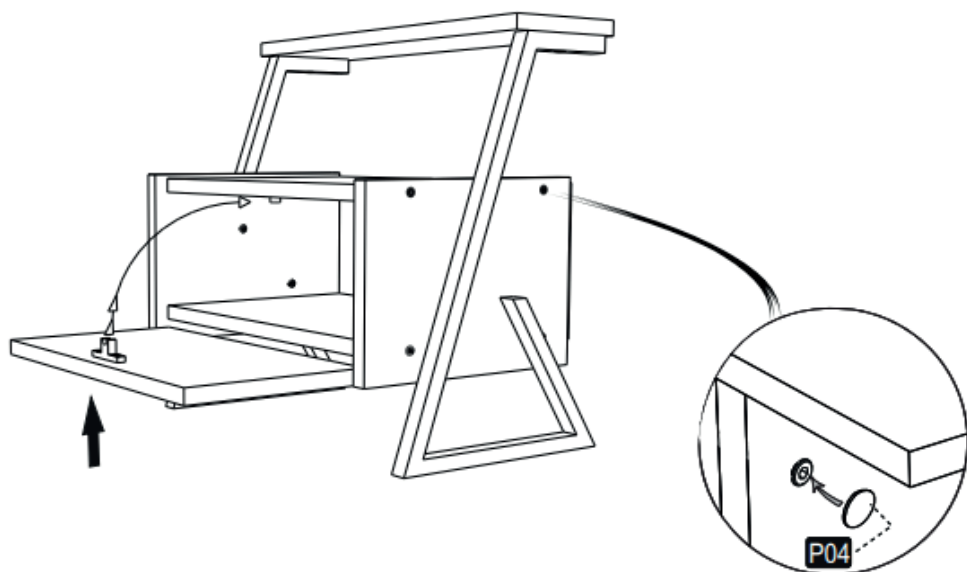
8



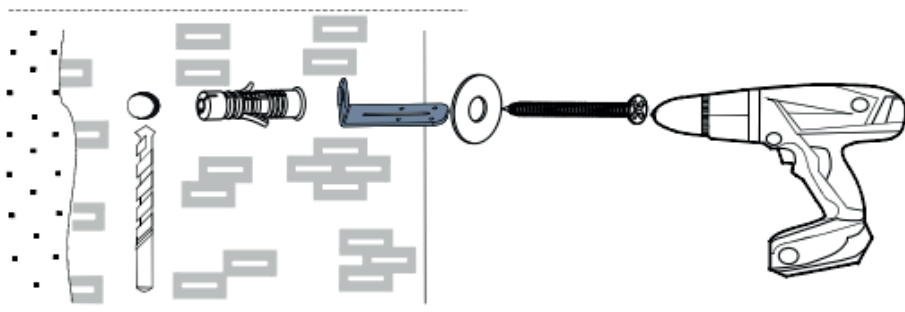
9



10



PLEASE NOTE THAT



Check the wall type before installation of dowel. Wall is drilled with equal diameter of dowel.
(Ø8mm) Universal Plastic Dowel provides the general purpose usage.
Requires two stages assembly. Dowel can be different type according to the wall type.
(E.g. Plaster sheet partition wall, gas concrete, hollow brick wall).
If required, use appropriate dowels and screws.