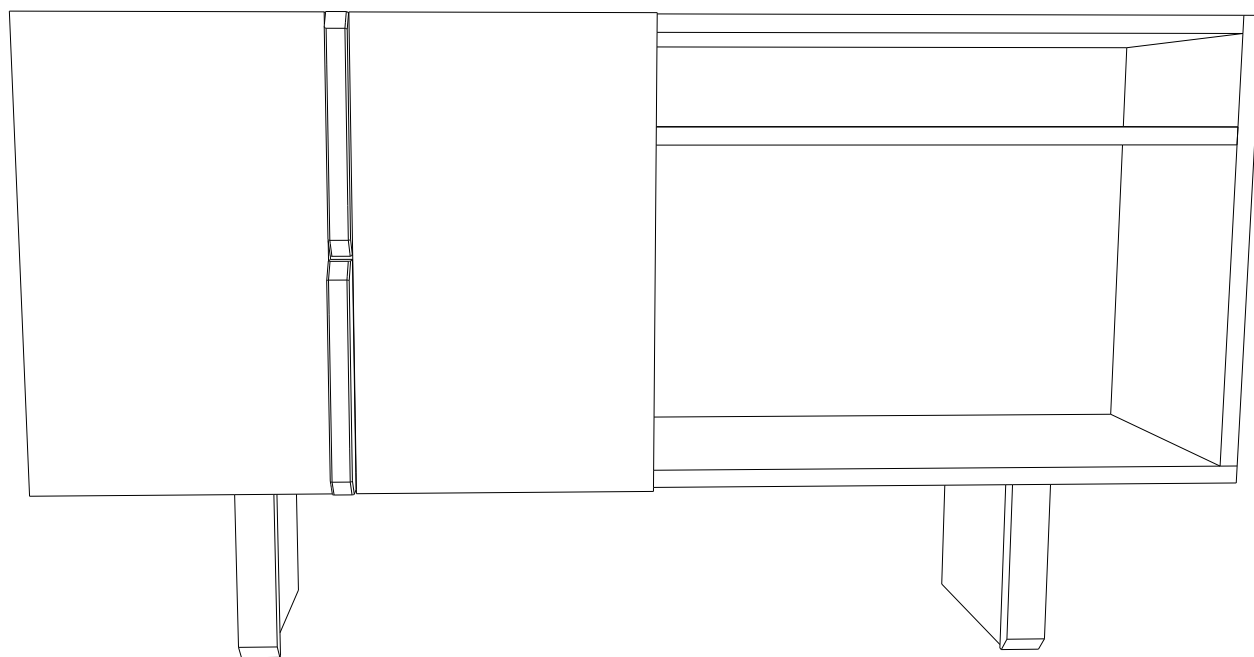
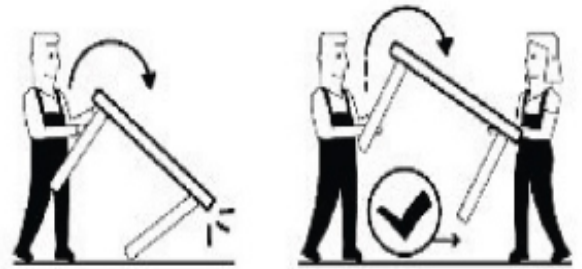
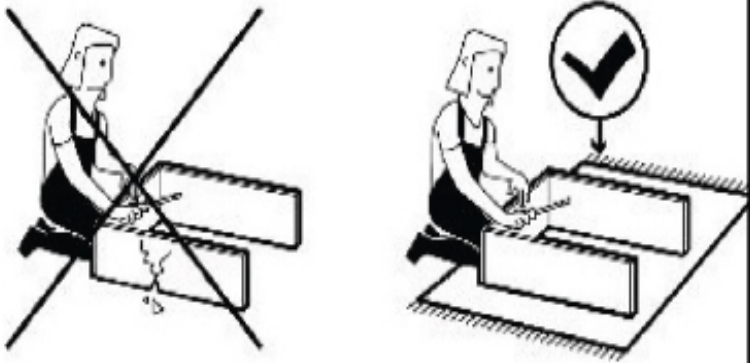
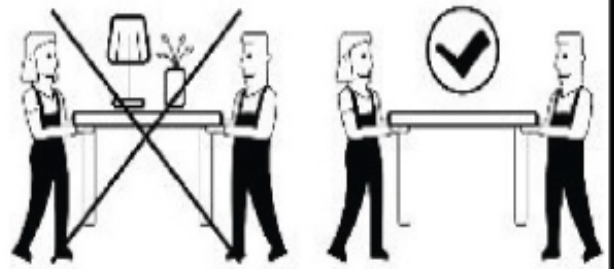
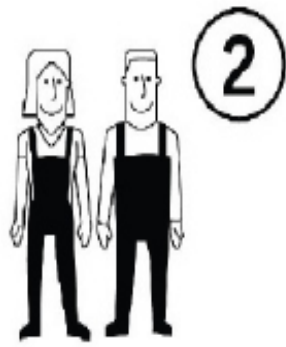


# ZENITH

## CONSOLE

---

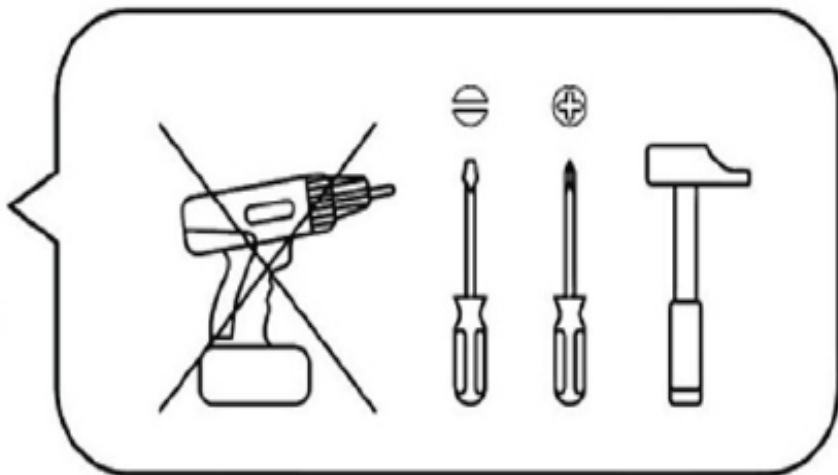
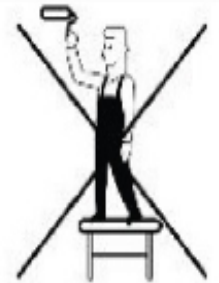




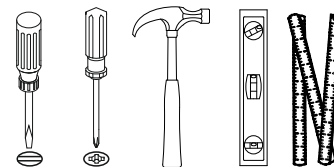
0552 641 31 80

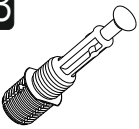
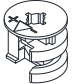

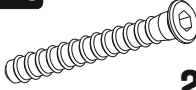
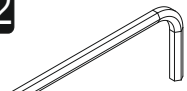



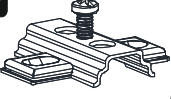



info@lagomood.com

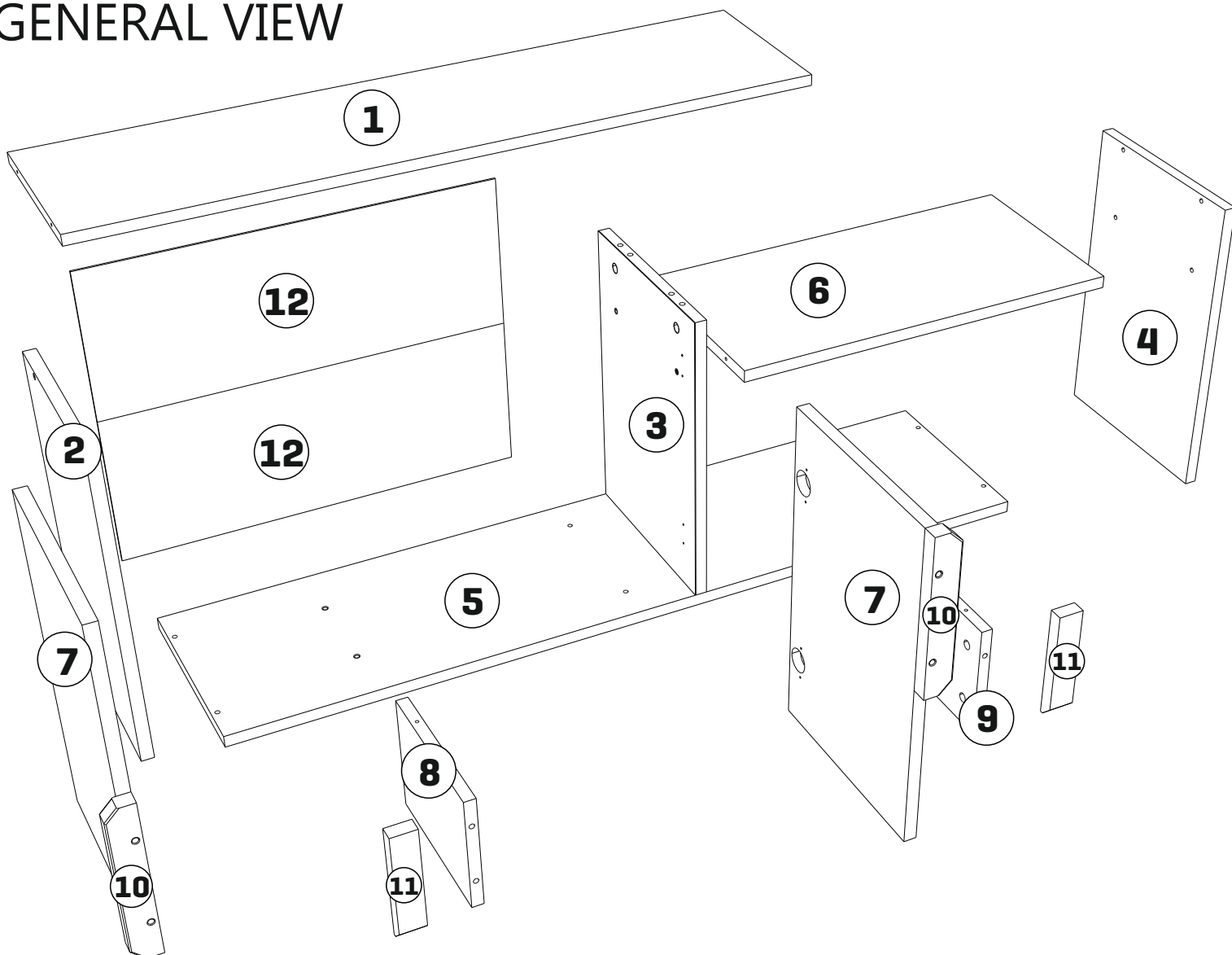


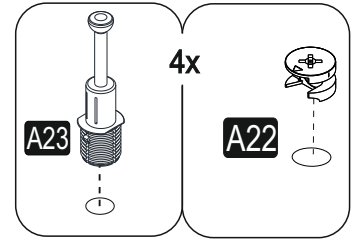
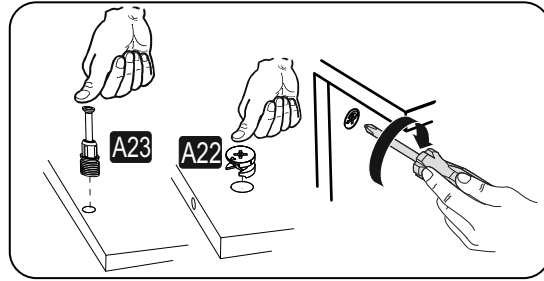
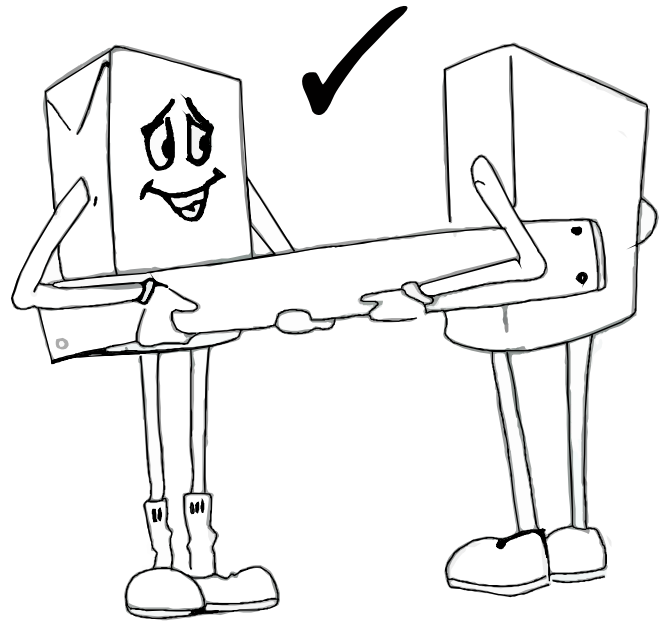
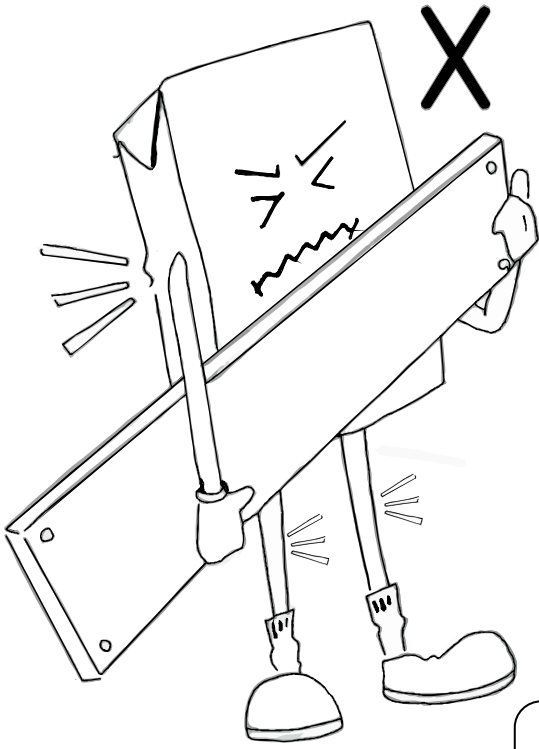
# ACCESSORY LIST [18]



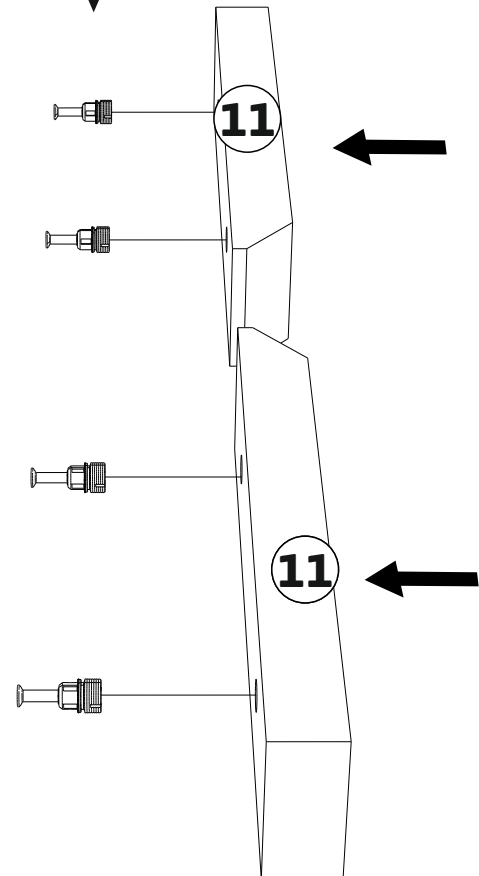
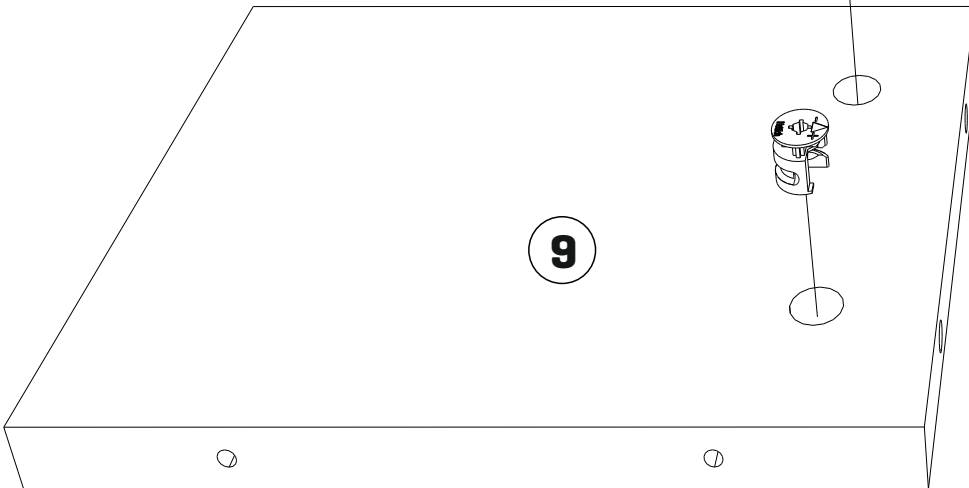
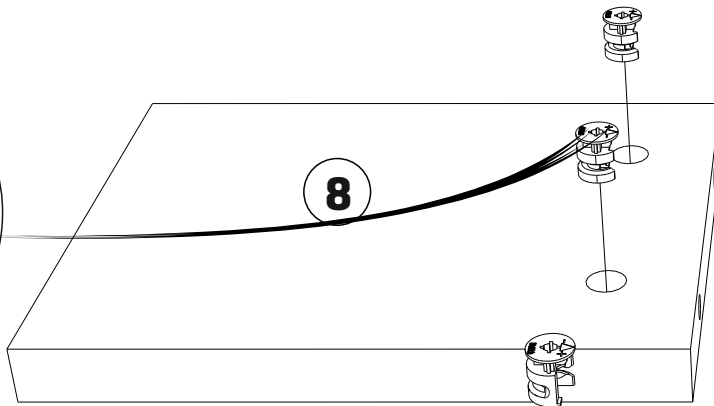
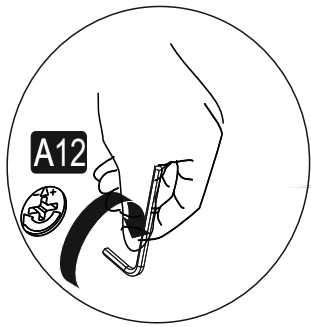
<b>A23</b> Minifix M8  <b>6x</b>	<b>A22</b> Minifix G15  <b>6x</b>	<b>A04</b> KVLV  8x30 <b>2x</b>	<b>A13</b> KBN VDS  6x50 <b>22x</b>	<b>A12</b> ALYN  4 SW <b>1x</b>
<b>A18</b> 3,5x18  <b>16x</b>	<b>A06</b> TP  18 mm <b>24x</b>	<b>C02</b> DM  <b>4x</b>	<b>C04</b> MA  <b>4x</b>	<b>A48</b> AC  25x1 <b>22x</b>

## GENERAL VIEW



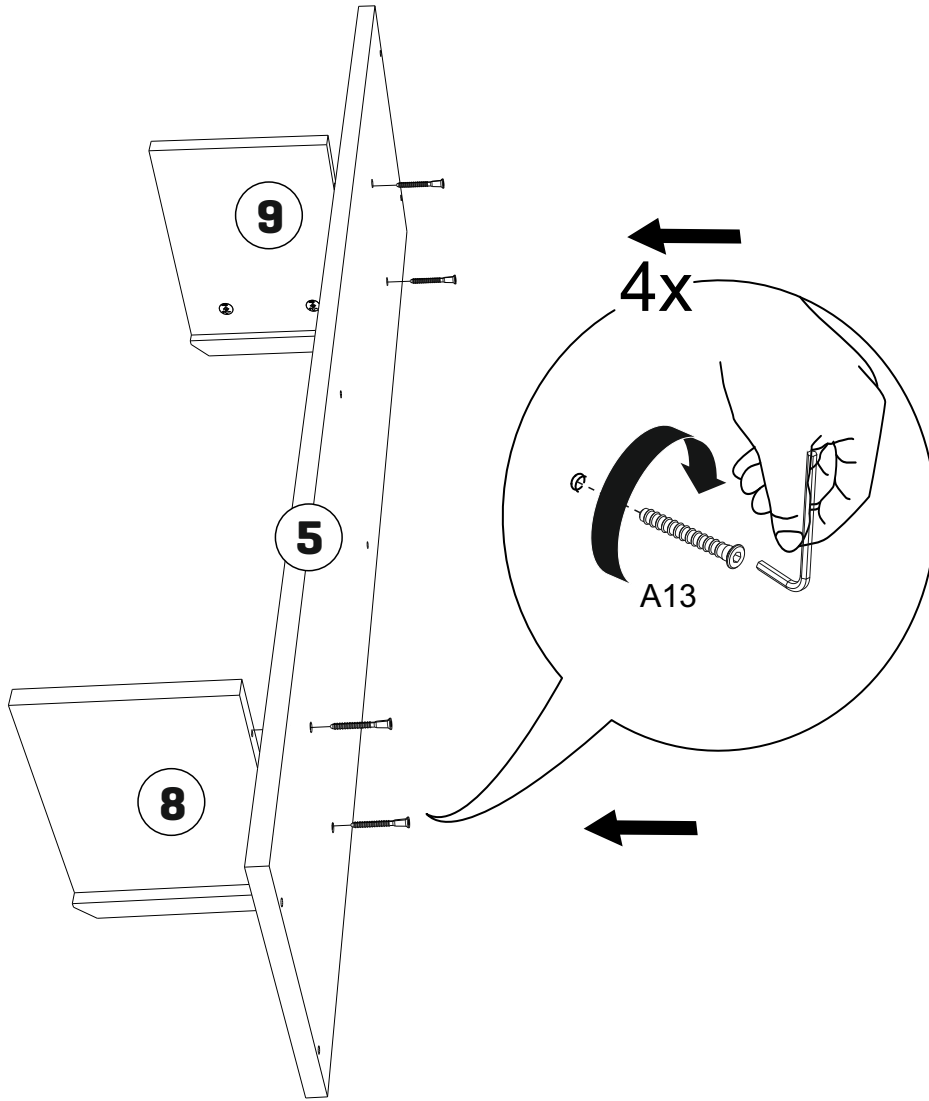


**1**

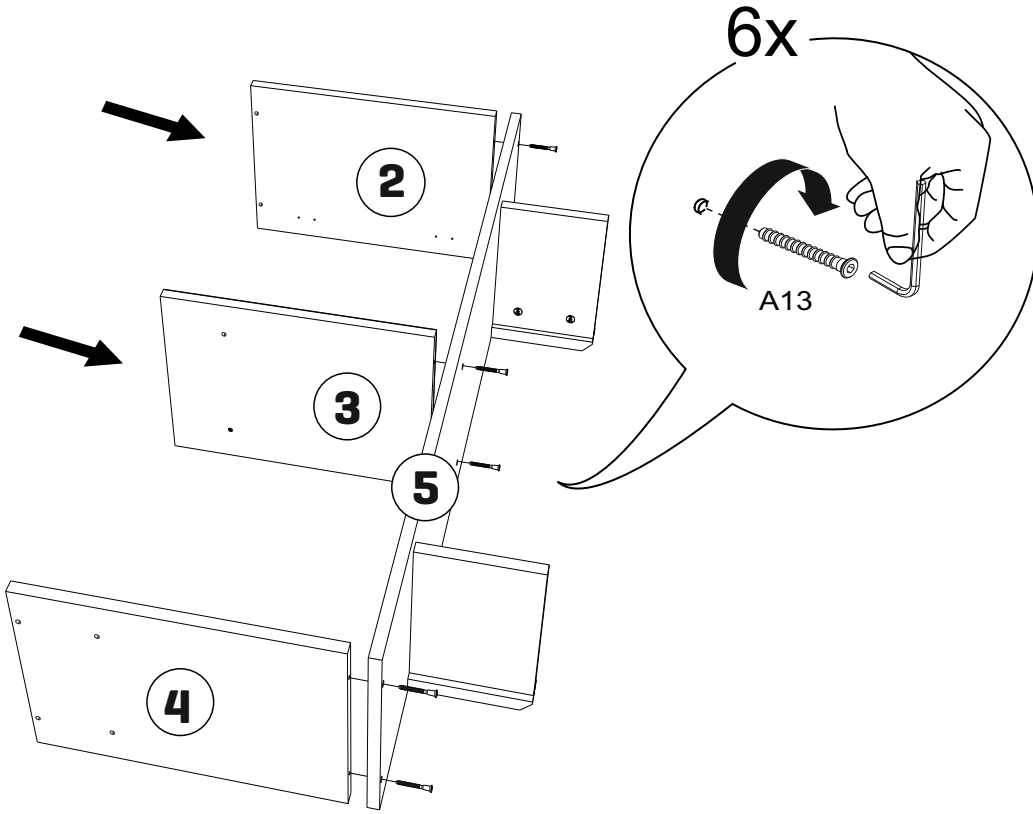


**3**

**2**

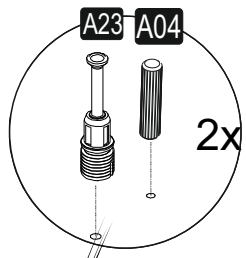
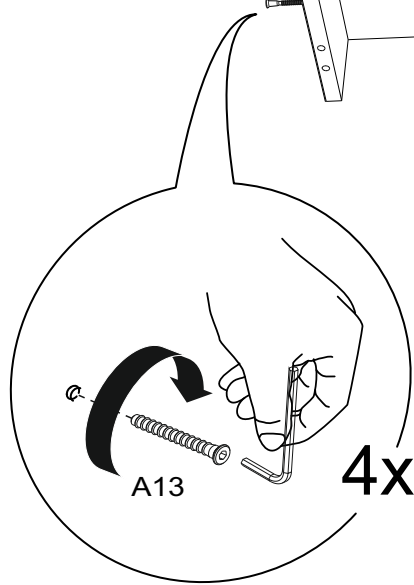
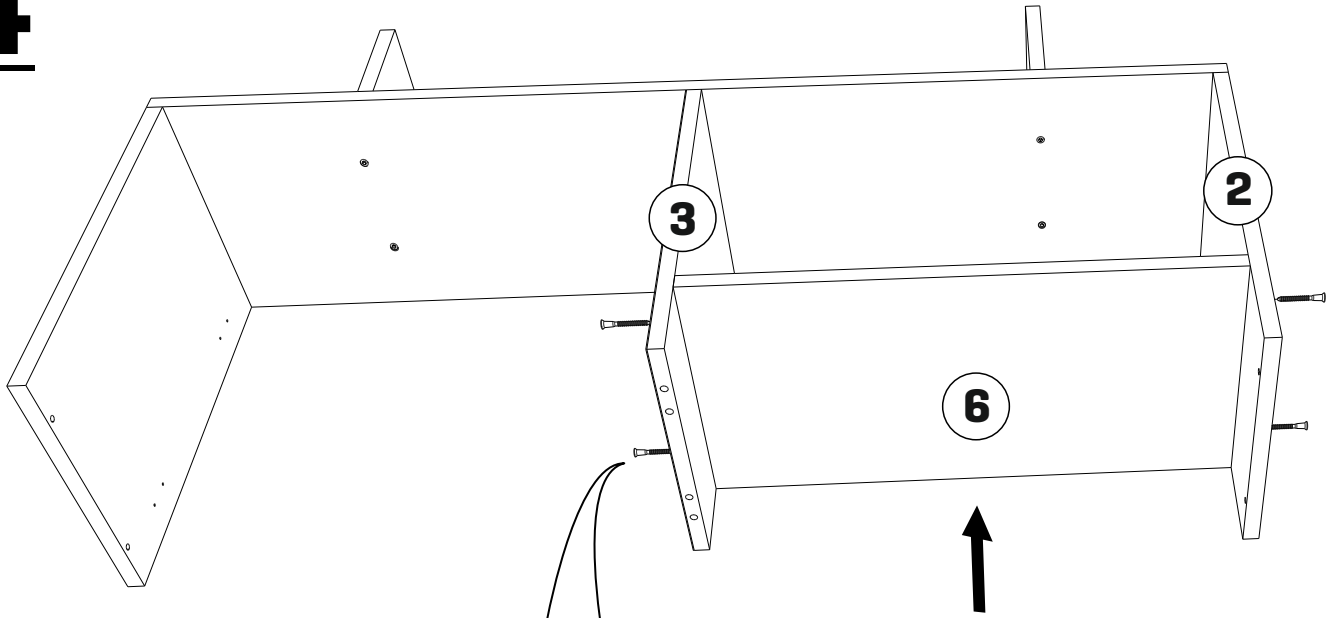


**3**

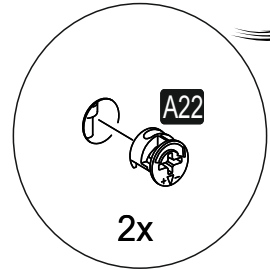
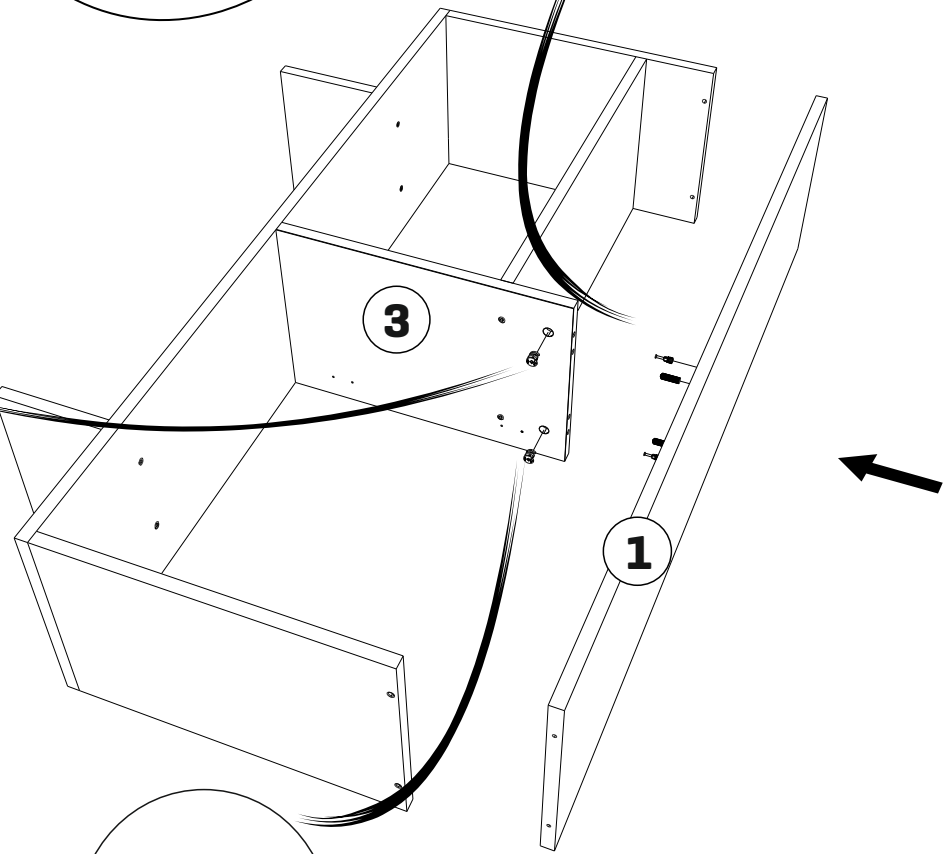
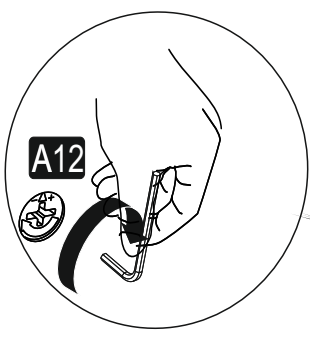


**4**

**4**

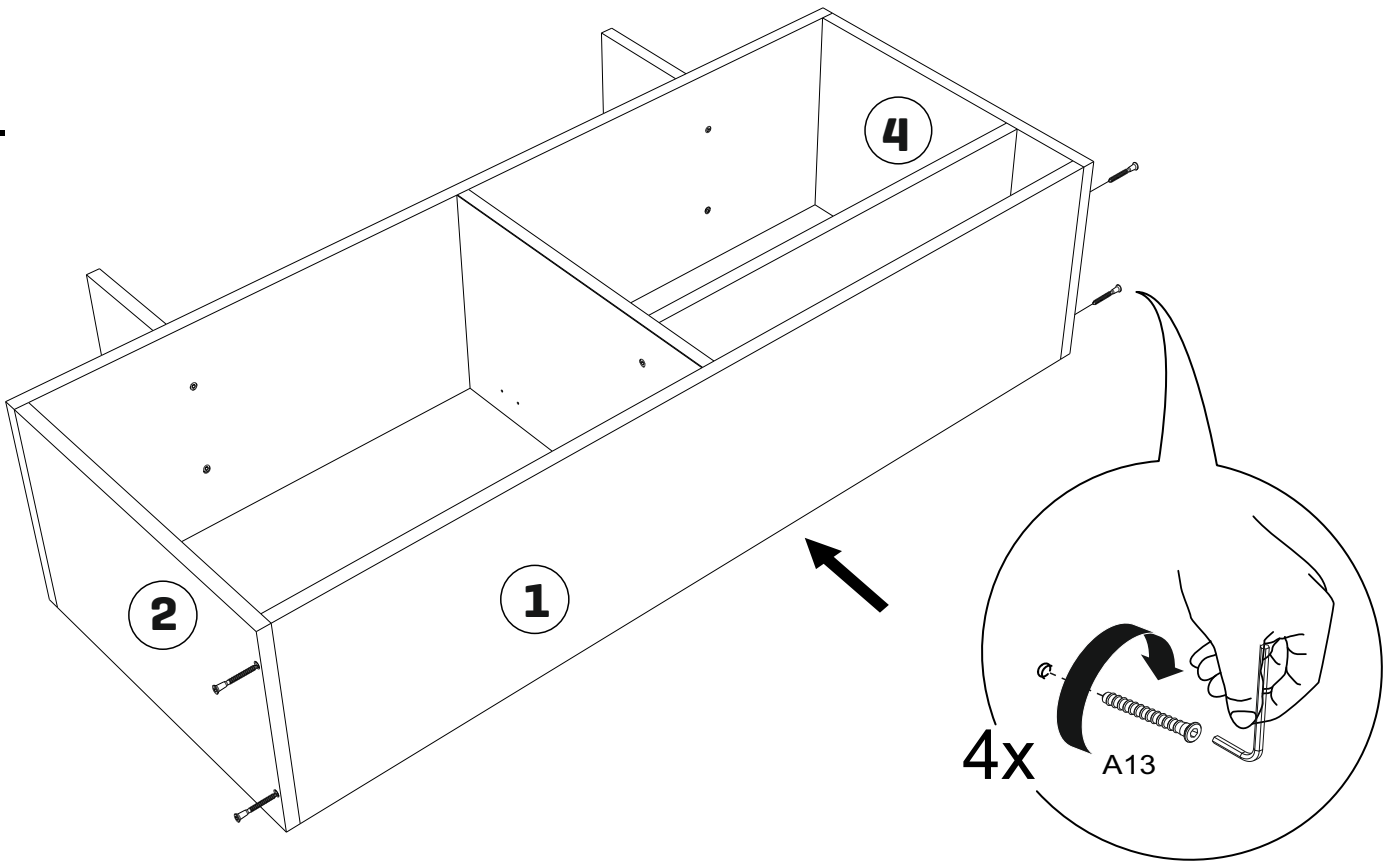


**5**

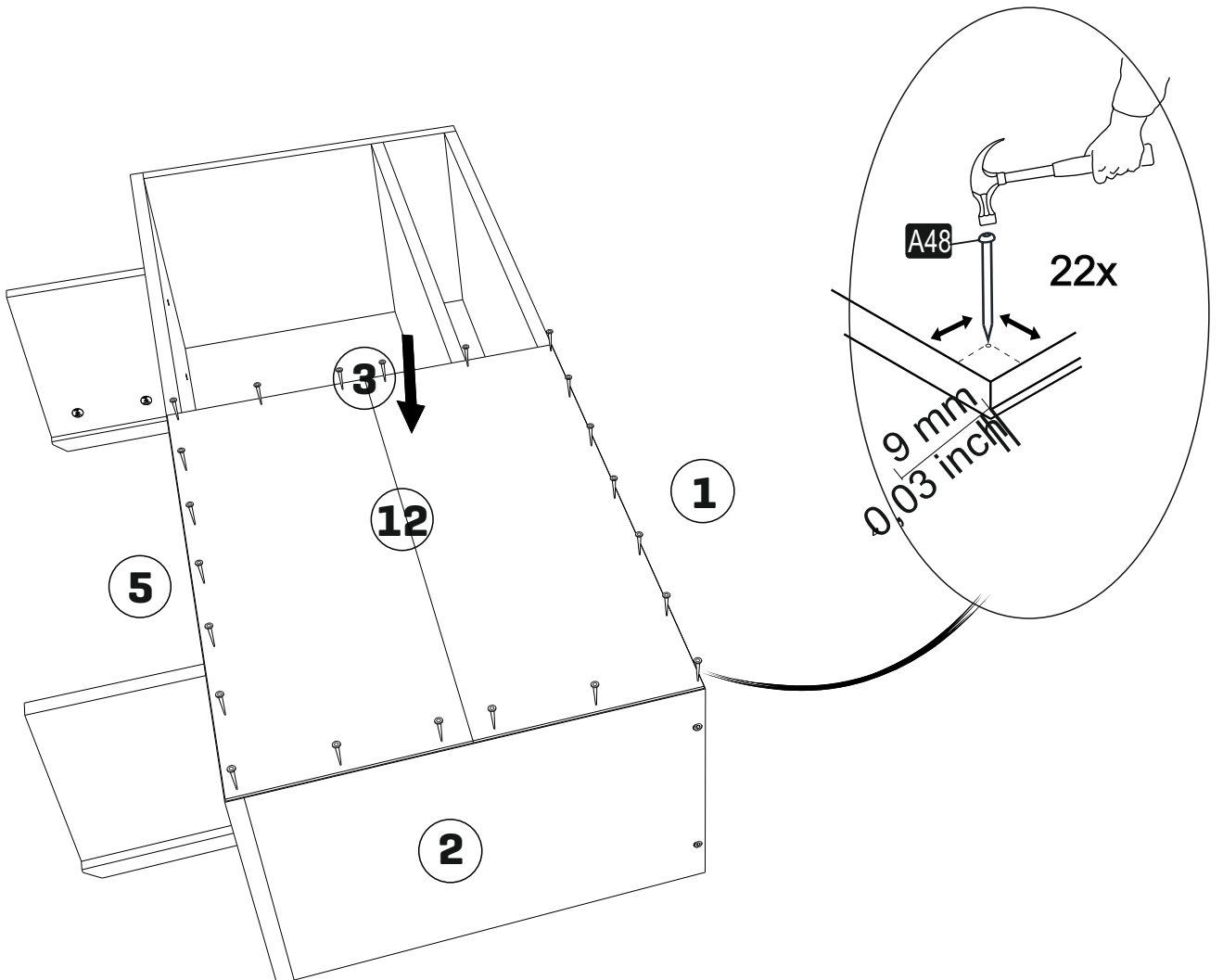


**5**

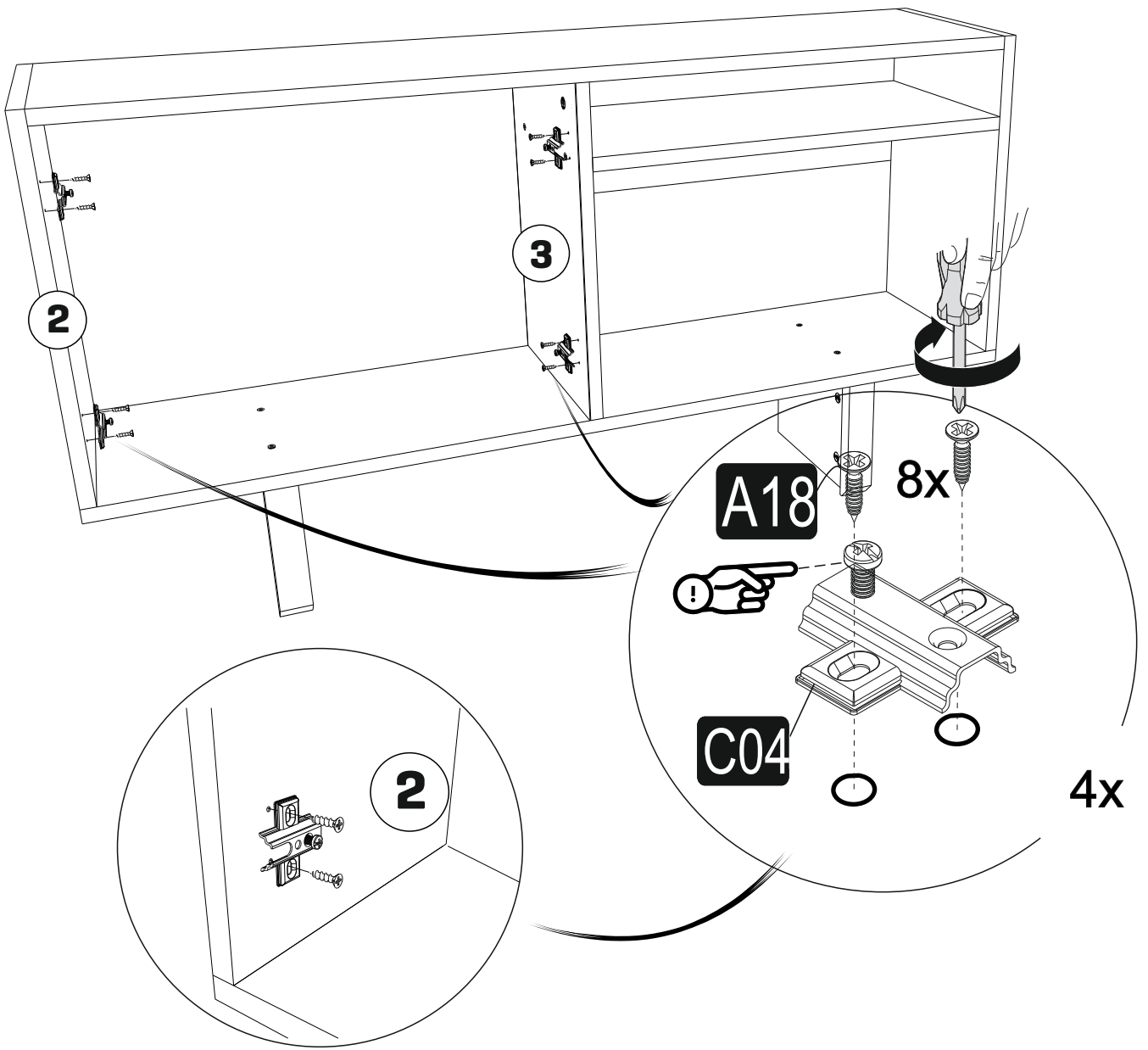
**6**



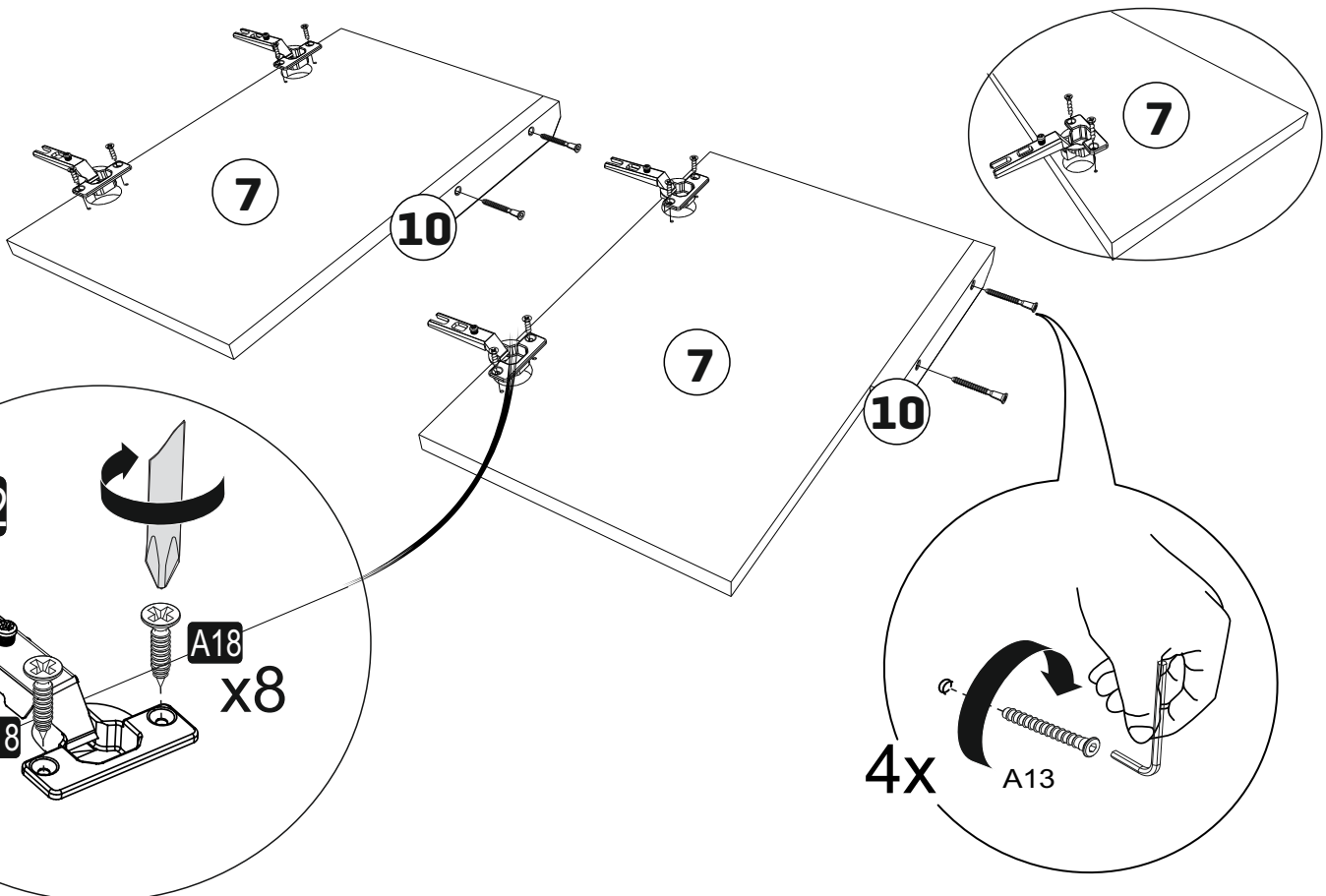
**7**



**8**



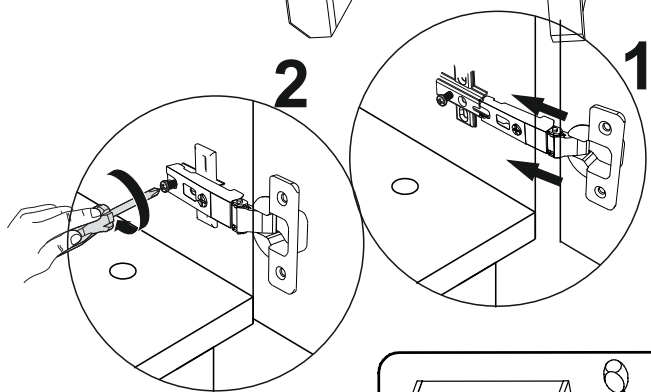
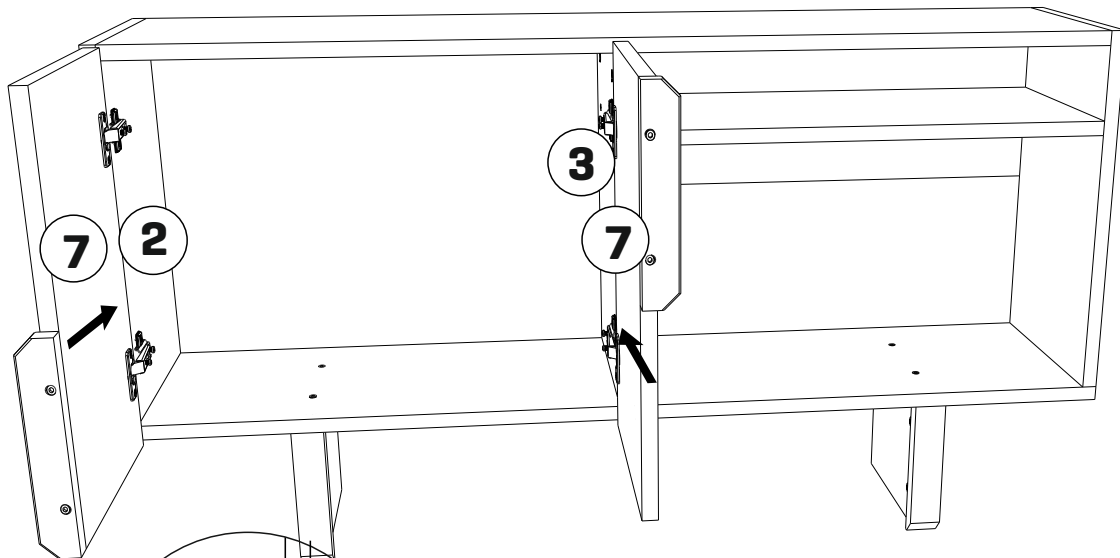
**9**



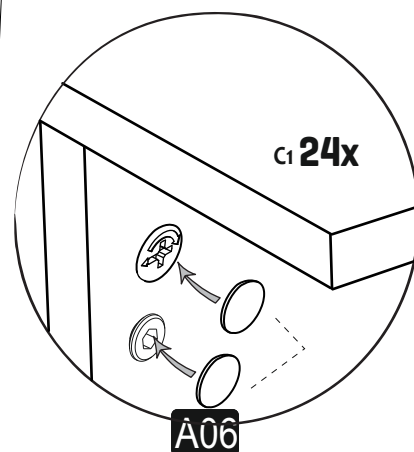
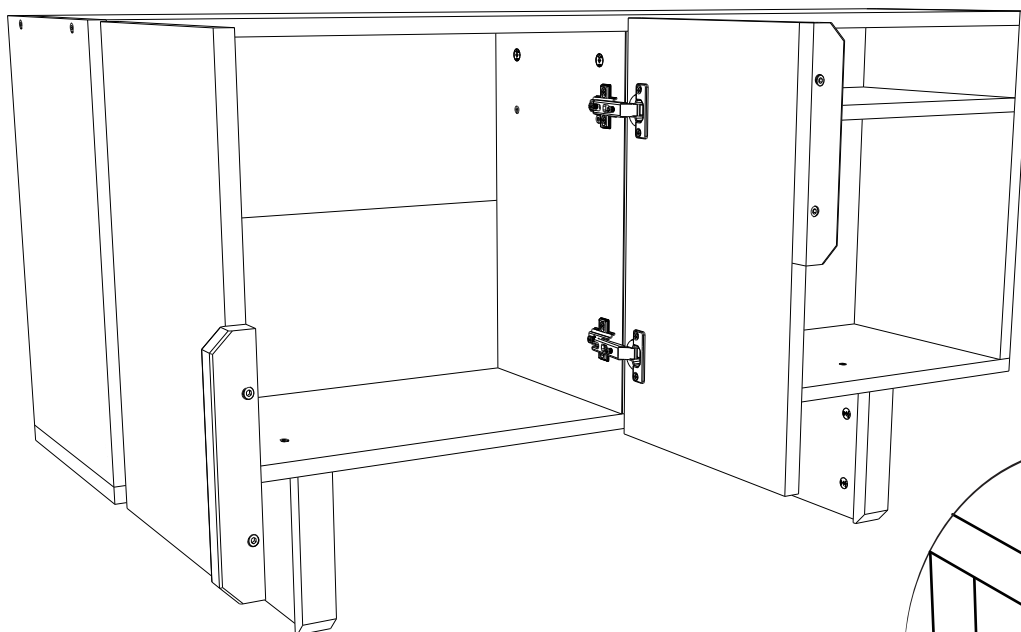
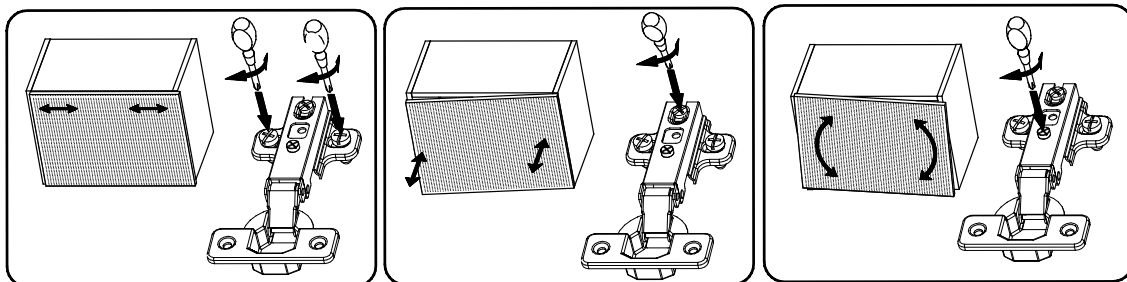
**7**



# 10



# 11





# **WARNING**

## **CHOKING HAZARD**

- This unit contains small parts which could be a choking hazard for small children. Children should be under adult supervision at all times.
- Do not overload the unit. Each shelf has a recommended capacity of 13 pounds, and the total weight on the unit should not exceed 39 pounds for wall shelves.
- Do not climb, step, or stand on the unit.
- Do not mount or attach items to the front, rear, or sides of the unit. This can cause the unit to become unbalanced and fall.
- Do not stack units.
- All units must be secured individually to wall studs using hardware provided. If wall studs are not accessible, consult your local hardware store for appropriate mounting hardware.
- We recommend you hand-tighten screws. Use care not to overtighten if using power tools. Follow proper safety procedures if using power tools and/or ladders.
- We recommend you protect your work surface during assembly to prevent scratching or damage to tabletops, wood floors, etc.
- Failure to follow the instructions listed here could result in bodily injury or damage to personal belongings. Use caution and follow safety procedures.