



# ENERG



TCL

65T8B



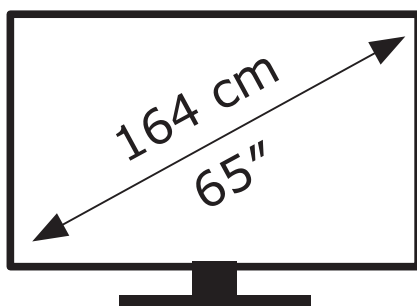
# 102 kWh/1000h

ABCDEF**G**



# 190 kWh/1000h

3840 px



2160 px