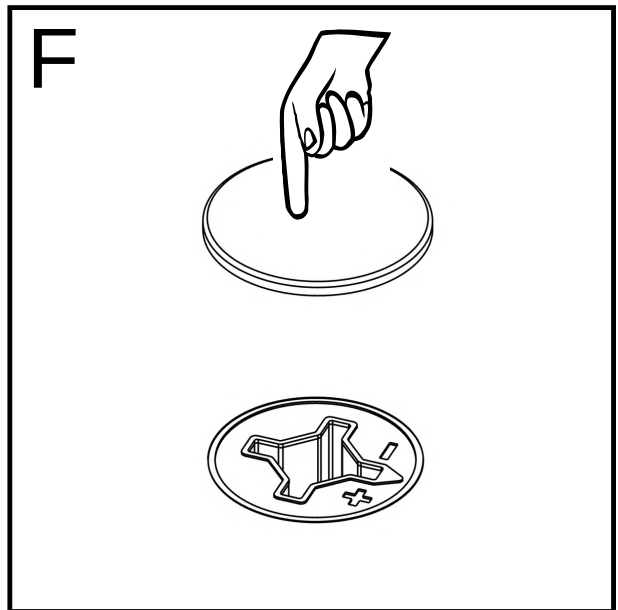
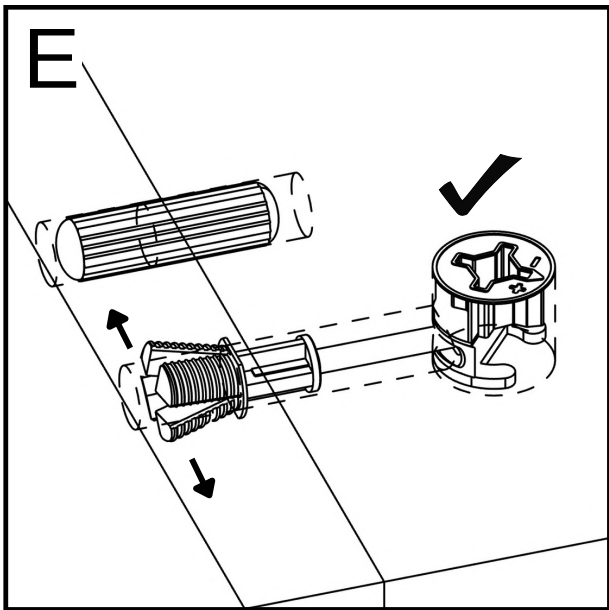
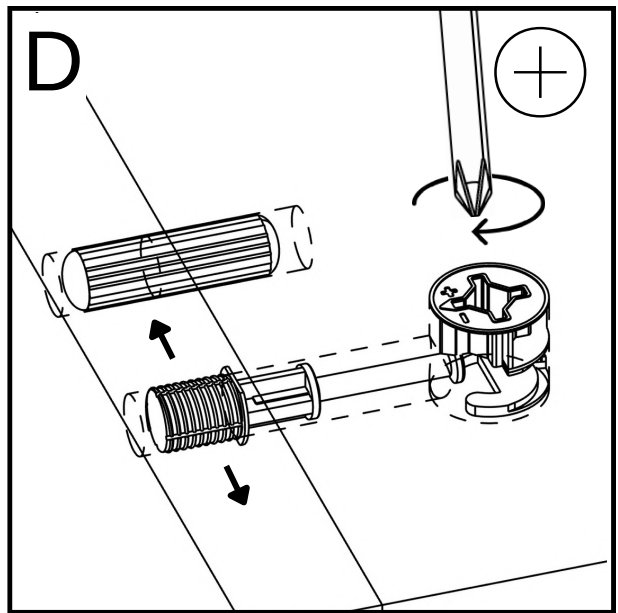
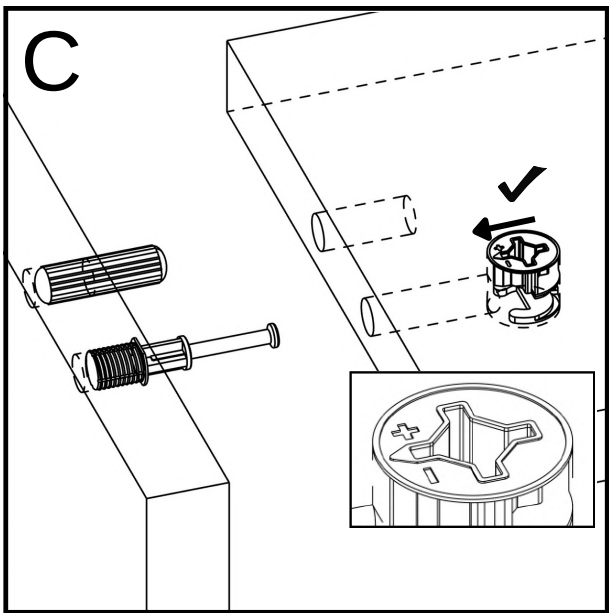
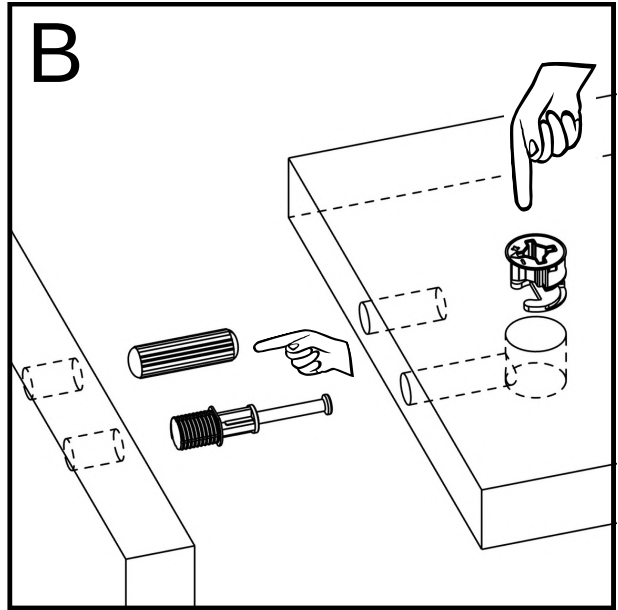
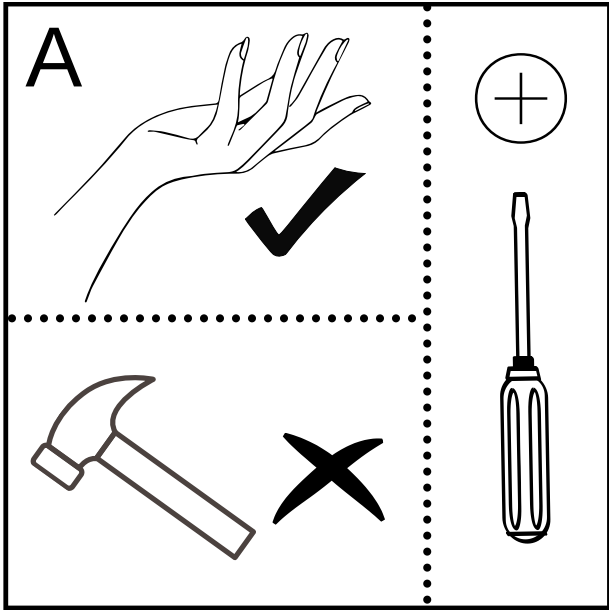
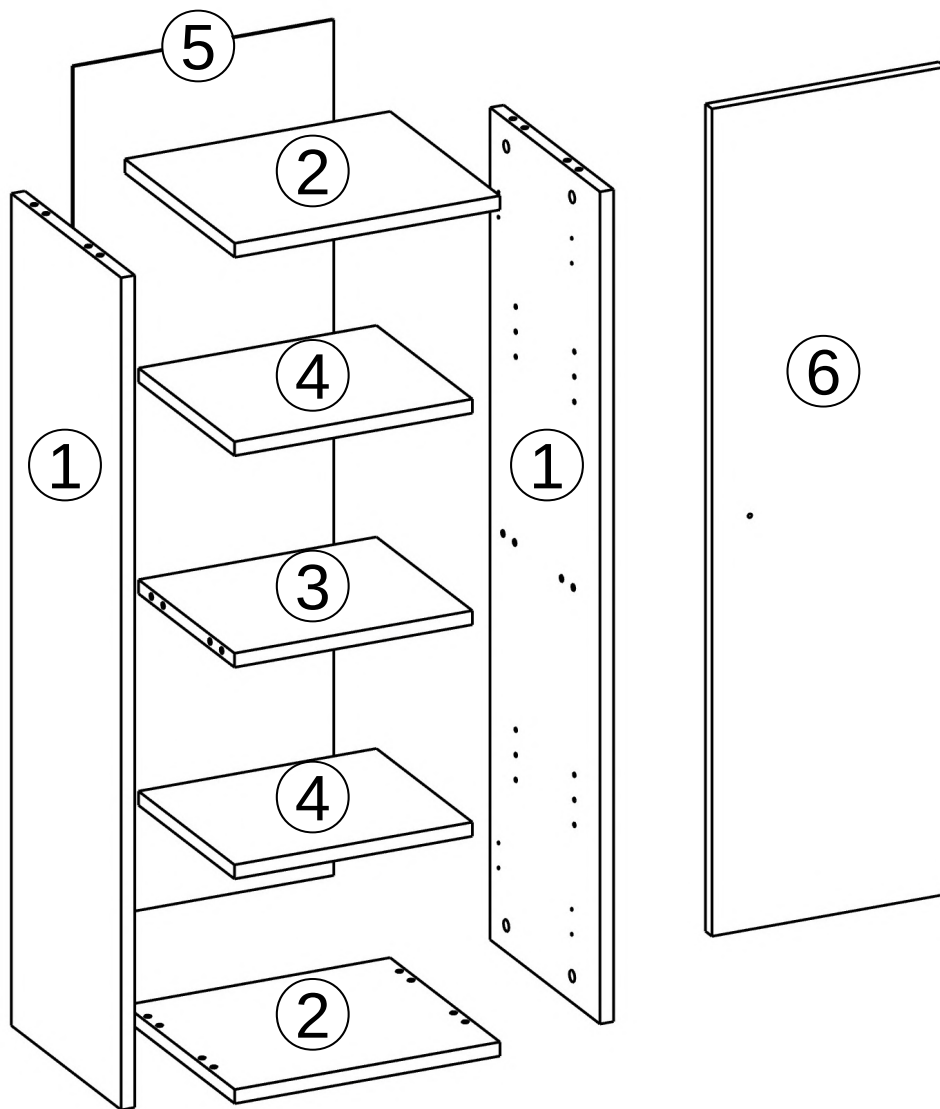



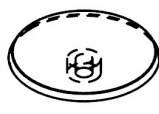


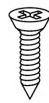
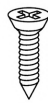
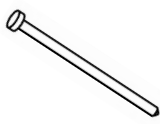

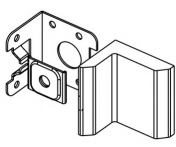
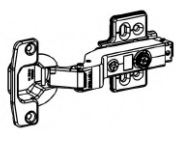
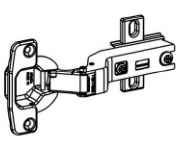

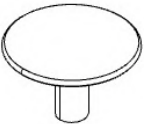


..... GUSTO-110




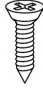
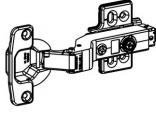
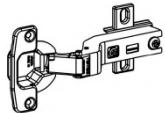
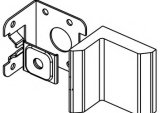


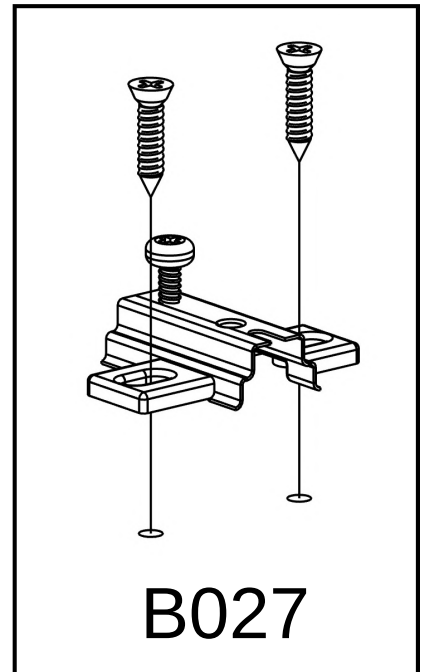
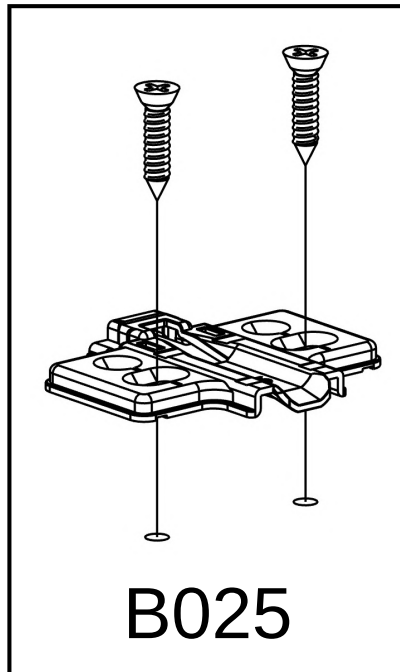
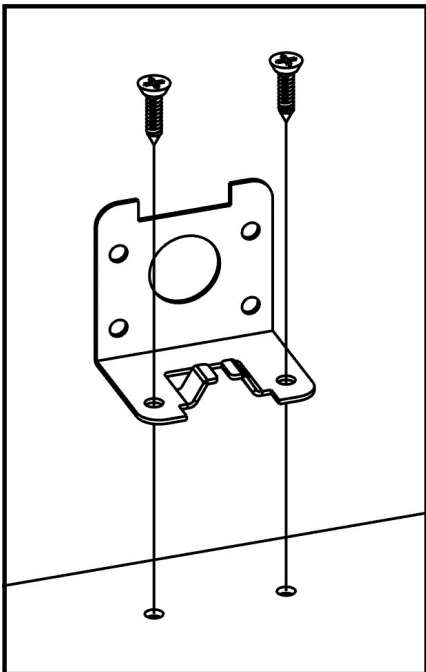
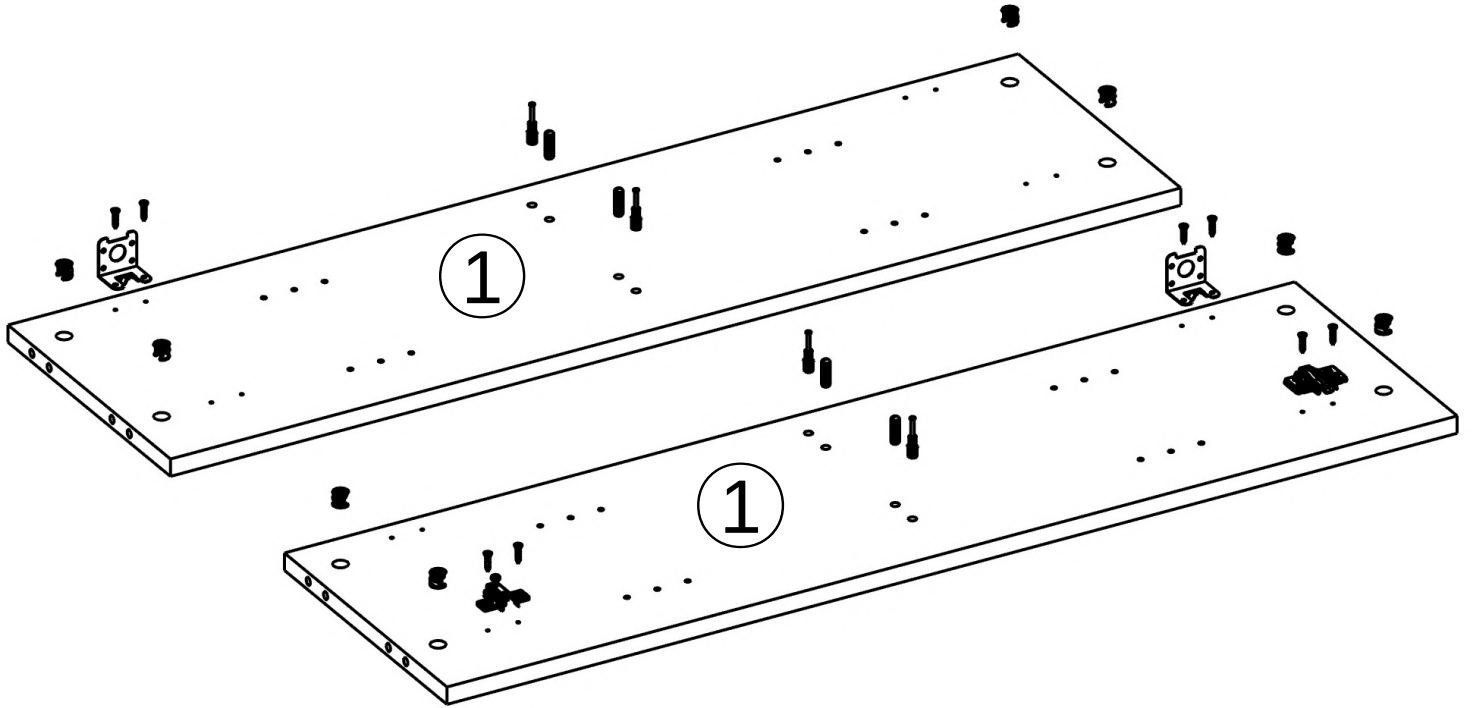


no- mm

 B001 x12	 B002 x12	 B003 x12	 B004 x12	1 - 1064 * 300 * 18 x2
 B006 x3	 M5*80 B007 x3	 M3.5*18 B009 x4	 M4*20 B009 x10	2 - 350 * 300 * 18 x2
 B019 x26	 B020 x8	 B023 x3	 B025 x1	3 - 314 * 262 * 18 x1
 B027 x1	 B011 x1	 A009 x1		4 - 314 * 262 * 18 x2
				5 - 1094 * 344 * 3 x1
				6 - 1058 * 308 * 18 x1

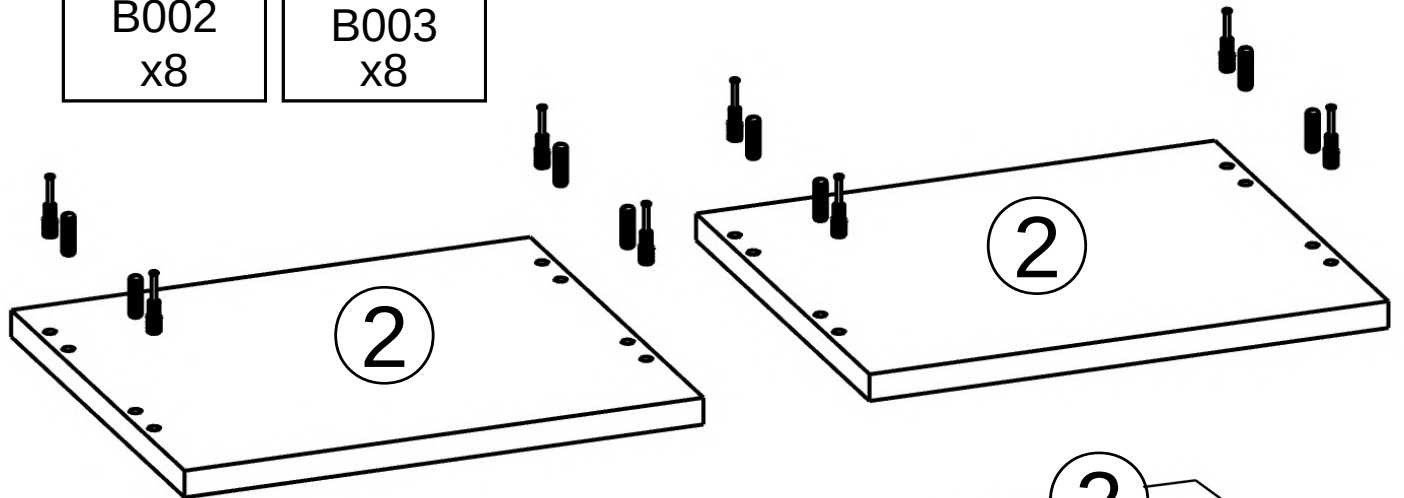
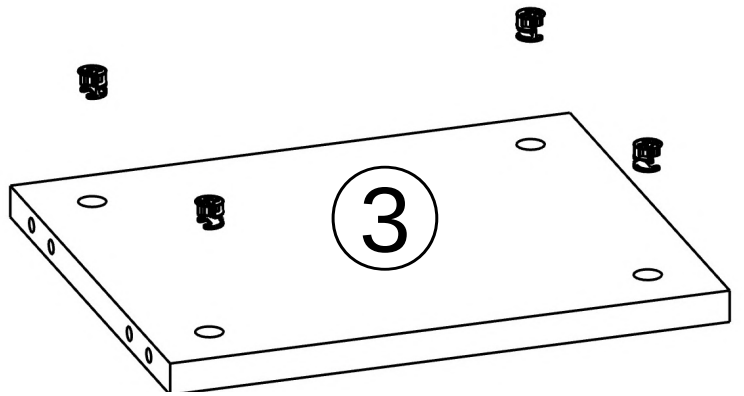
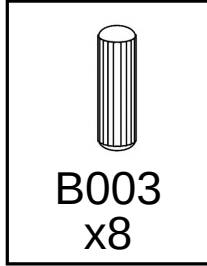
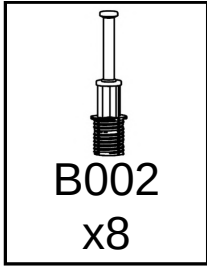
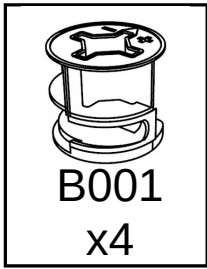
1

 <p>B001 x8</p>	 <p>B002 x4</p>	 <p>B003 x4</p>	<p>M4*20</p>  <p>B009 x8</p>	 <p>B025 x1</p>	 <p>B027 x1</p>	 <p>B023 x2</p>
--	--	--	---	---	--	--

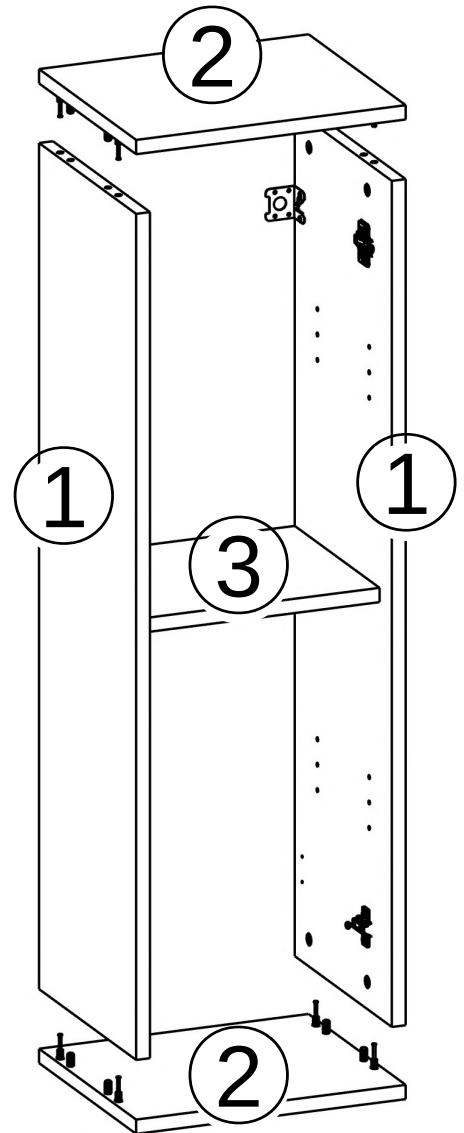
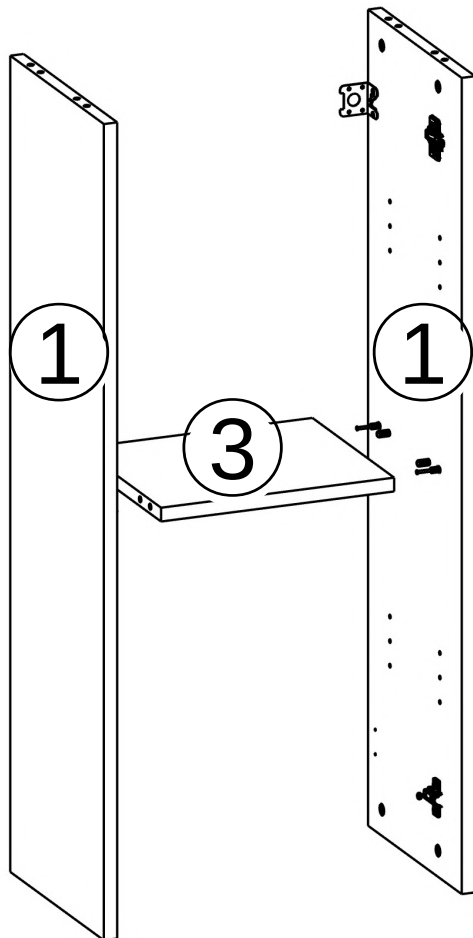
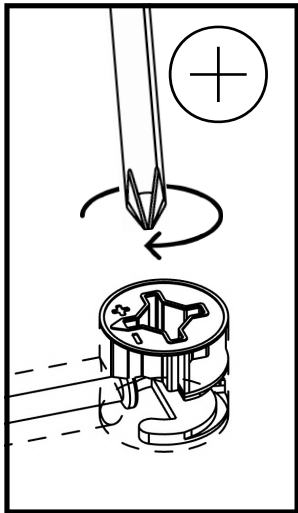


4

2

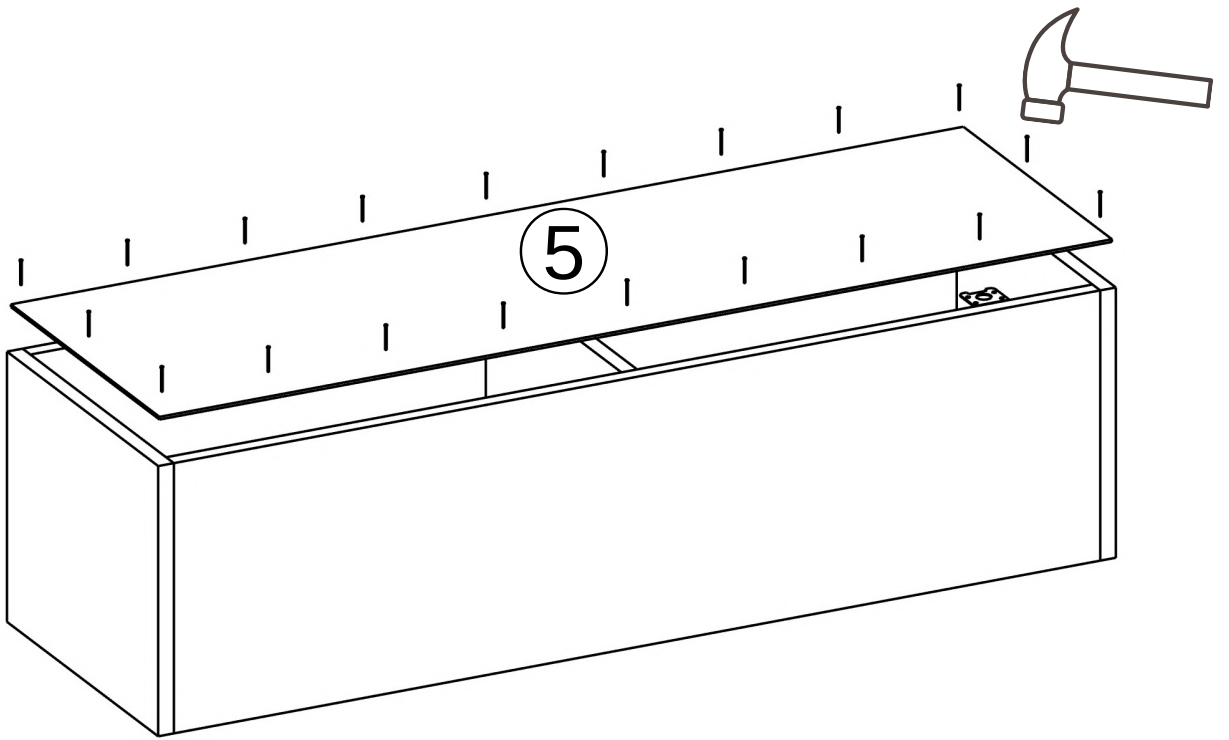
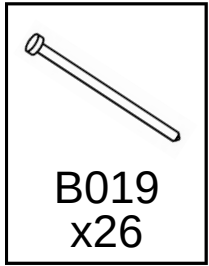


3

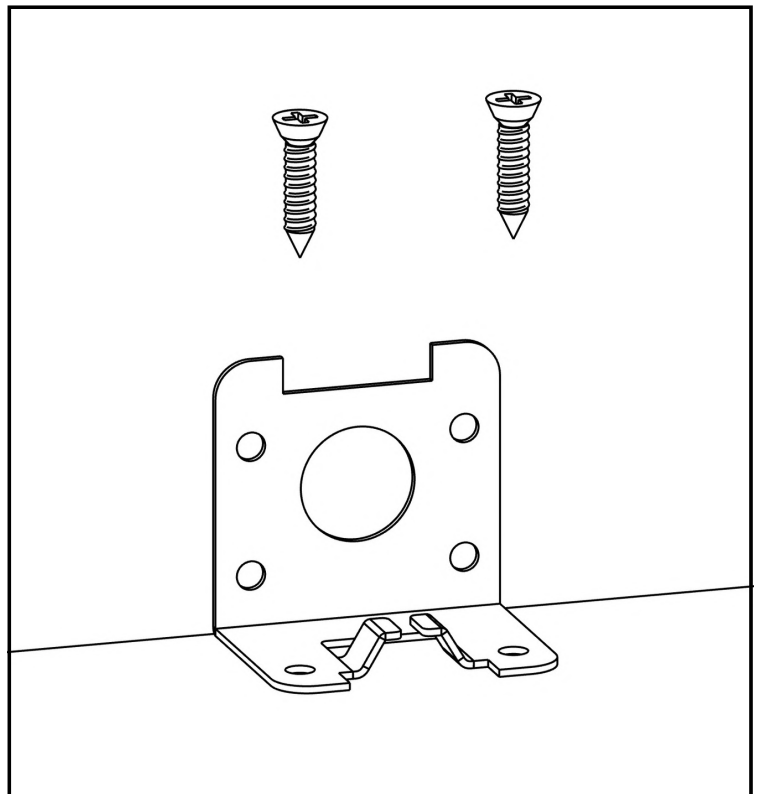
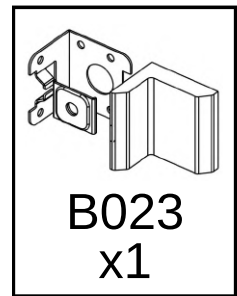
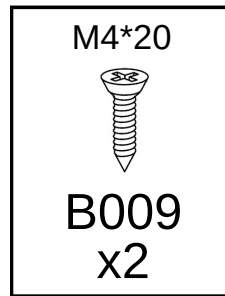
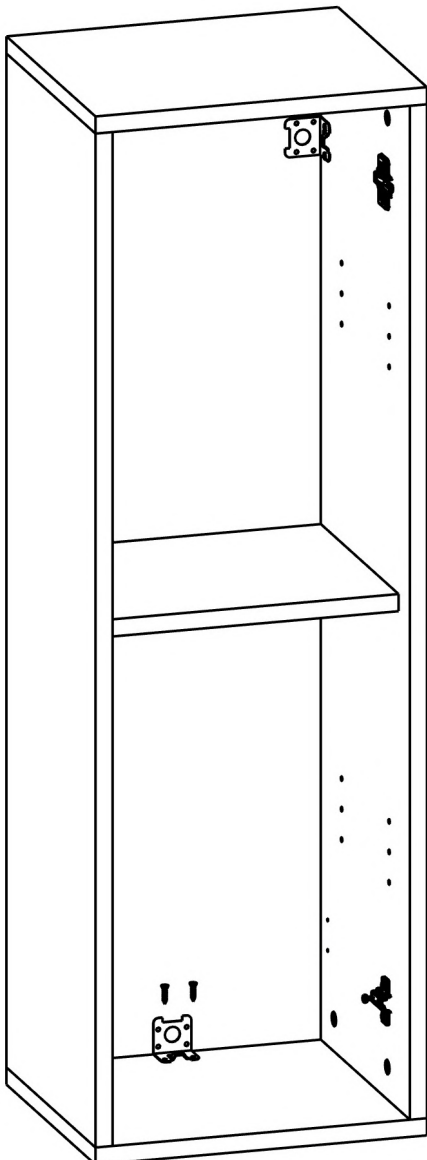


5

4

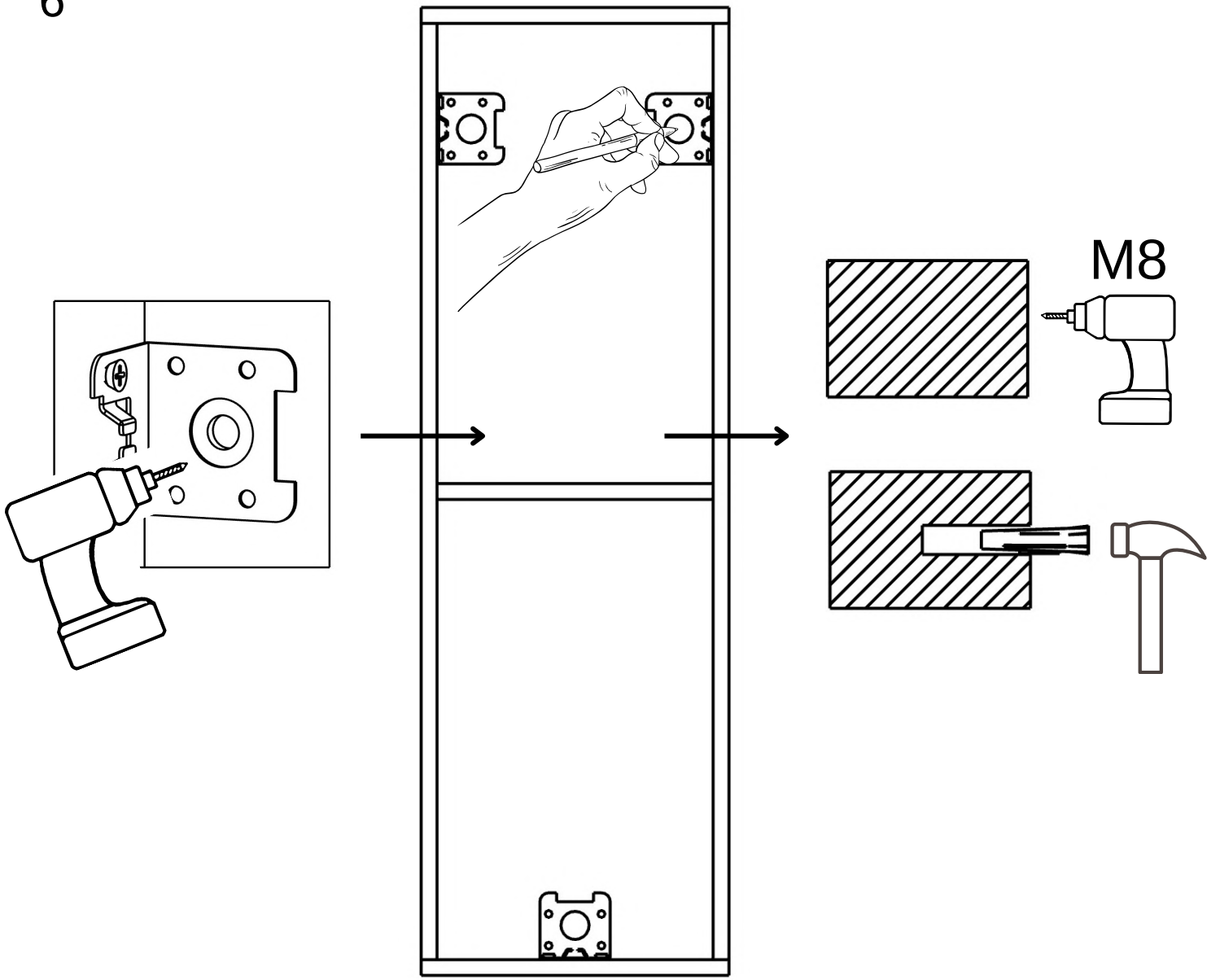


5

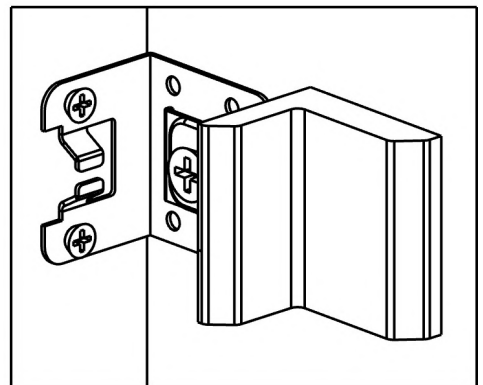
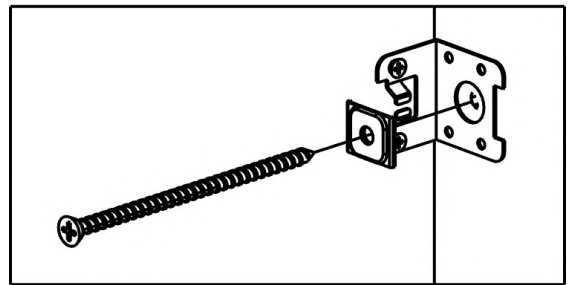
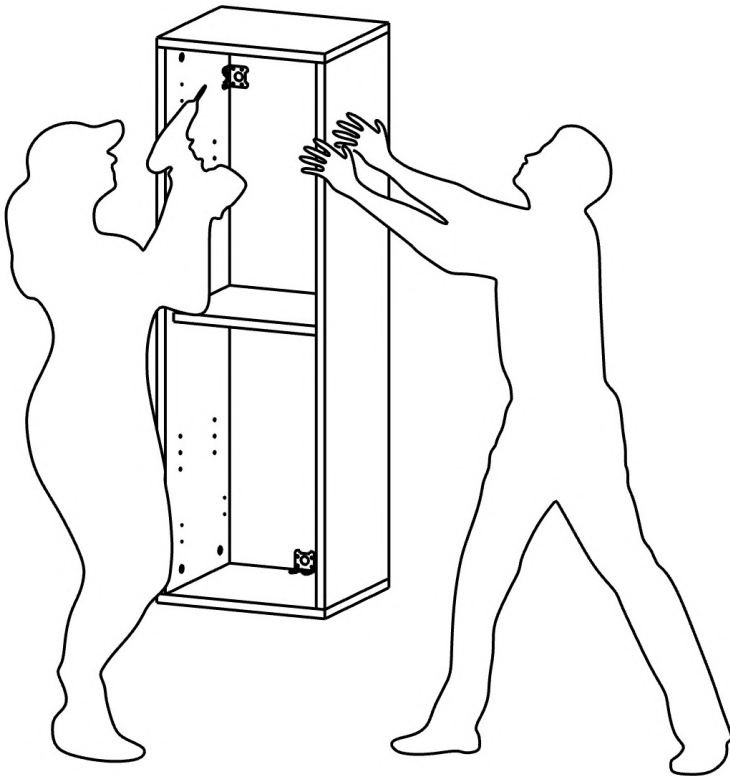


6

6

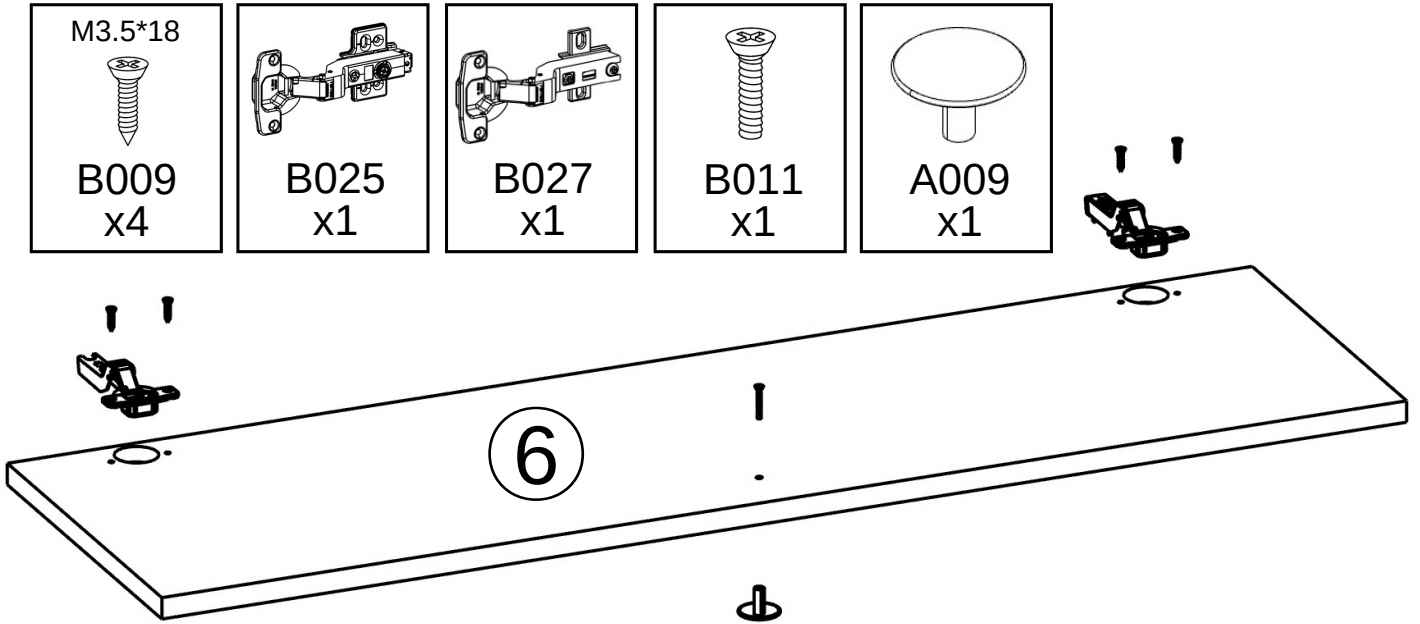


7

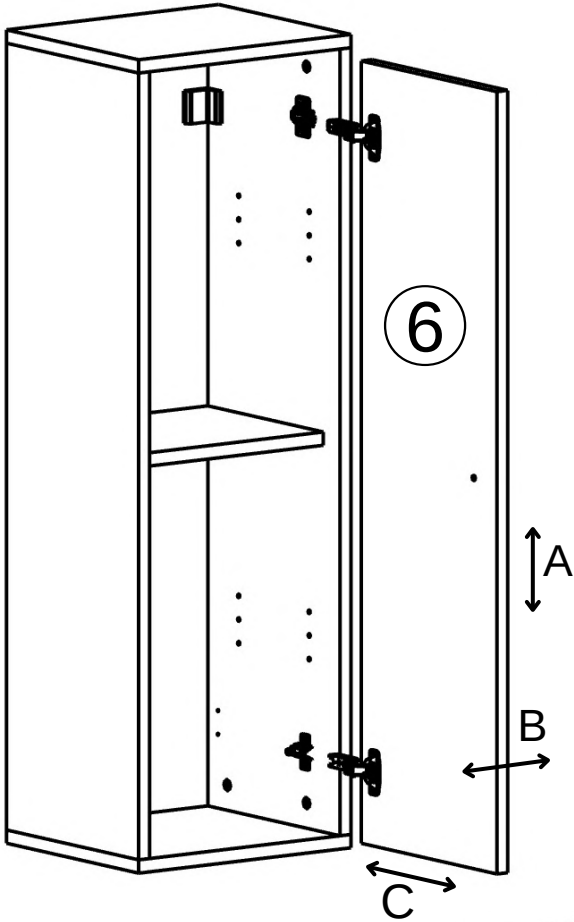


7

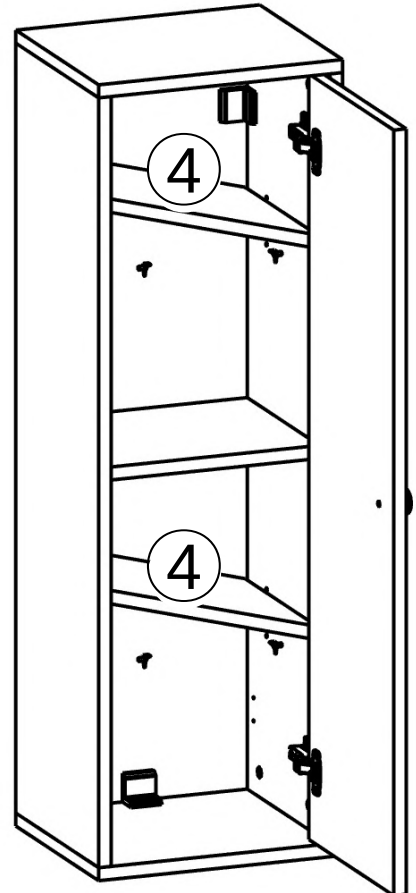
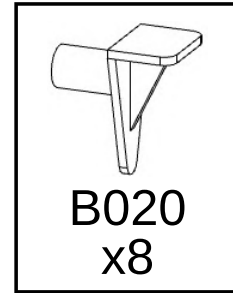
8



9



10



8

