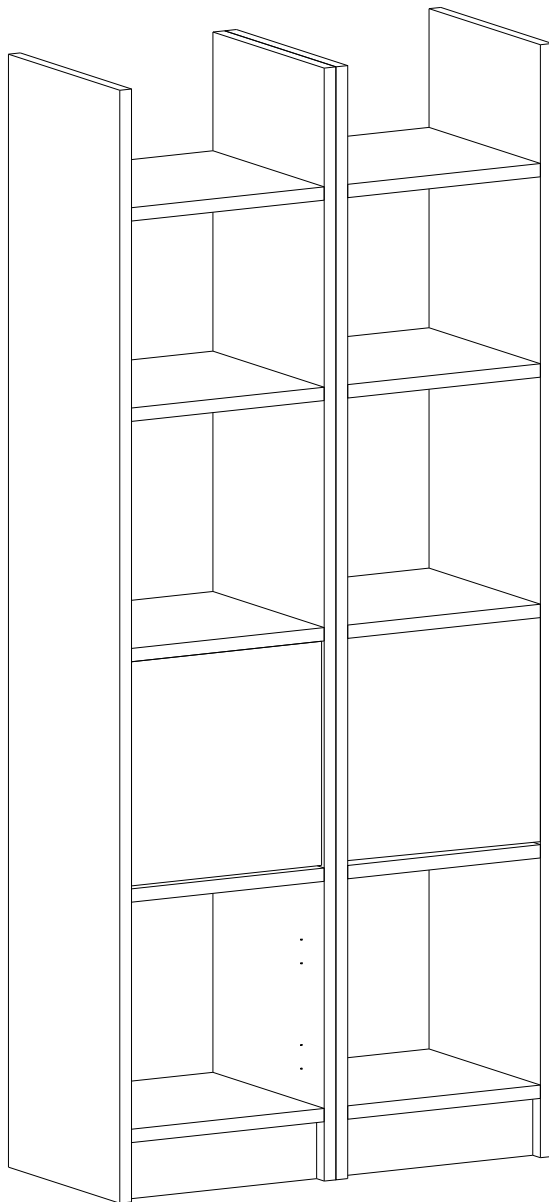


ESBi-102



Dear Customer,

We design and produce our products for people to love and have fun with them as we do.

The product you bought was subjected to all sorts of tests and control before sending out to you.



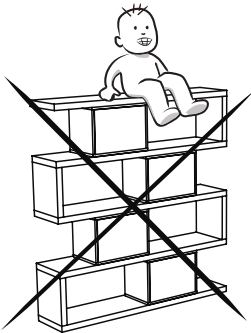
Before start assembling, please check the whole components and accessories according to the lists. If you bought more than one product, to prevent confusion be sure that you completed the first product. Then start the other product's assembling.



Before start assembling, please clean all the components with a damp cloth. Also for usual cleaning, this will be enough.



Although all the products are produced and packed carefully, sometimes happen that some component is damaged during the transportation. In such a case please check the missing or damaged part and do not hesitate to contact us. Telephone number (201)282-1510



Do not use your furniture for out of purposes. If you would like to use it, please contact us for further questions.

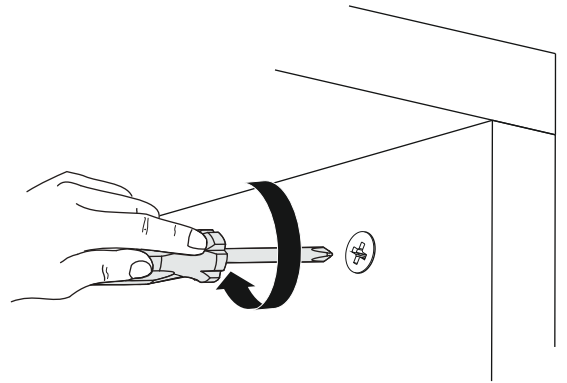
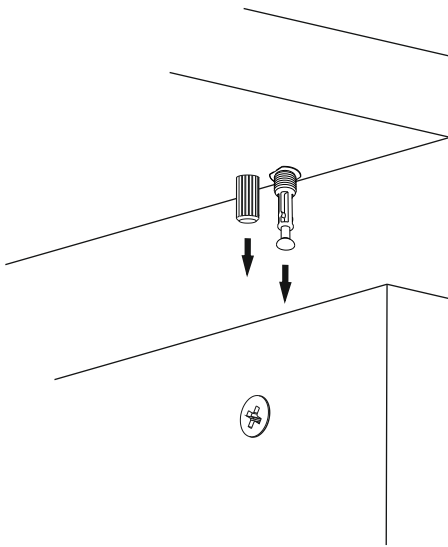
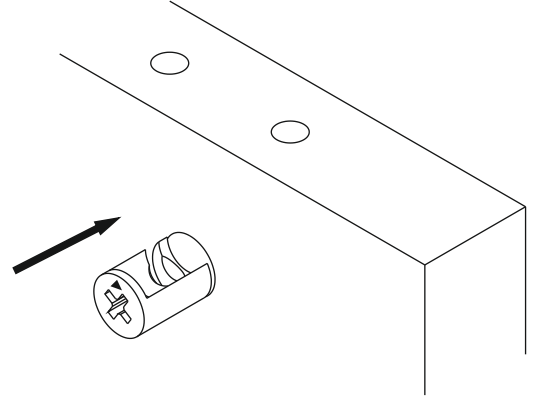
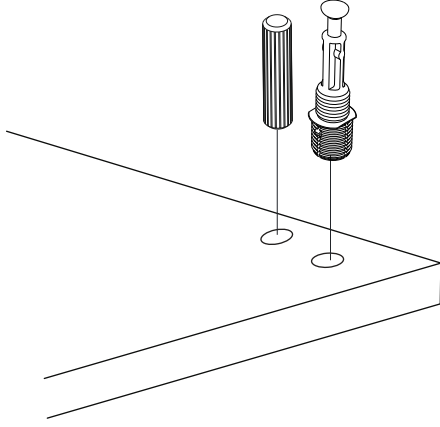
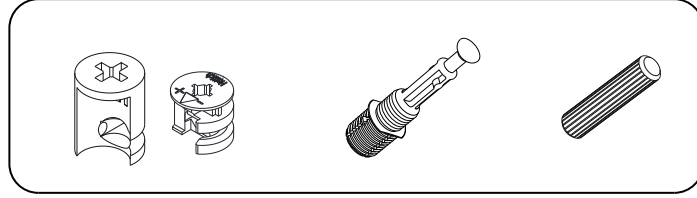
Do not directly contact your furniture with excessive heat, cold and humidity because the product can be affected..

DİKKAT!!

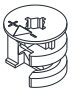
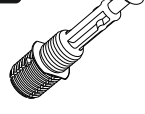



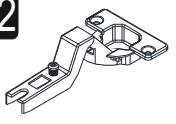
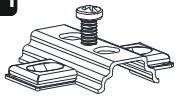


Ürünlerimiz minifiks sistemlidir. Lütfen montaj işlemine geçmeden önce aşağıdaki bilgilendirmeyi anlamaya çalışın.

ATTENTION !!

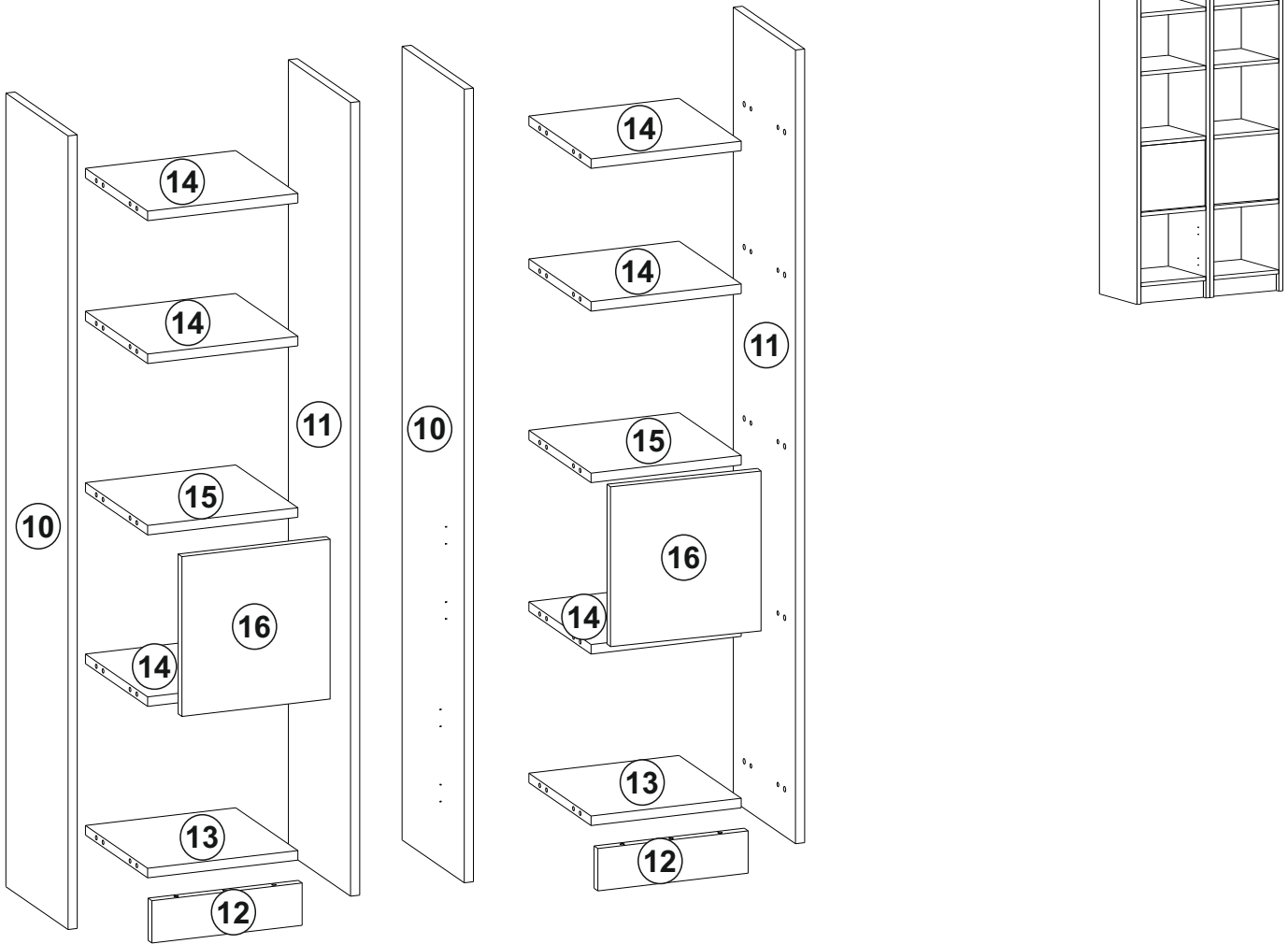
Minifix is the main connection material used in Decortie products. Before starting assembly, please check the drawings below.



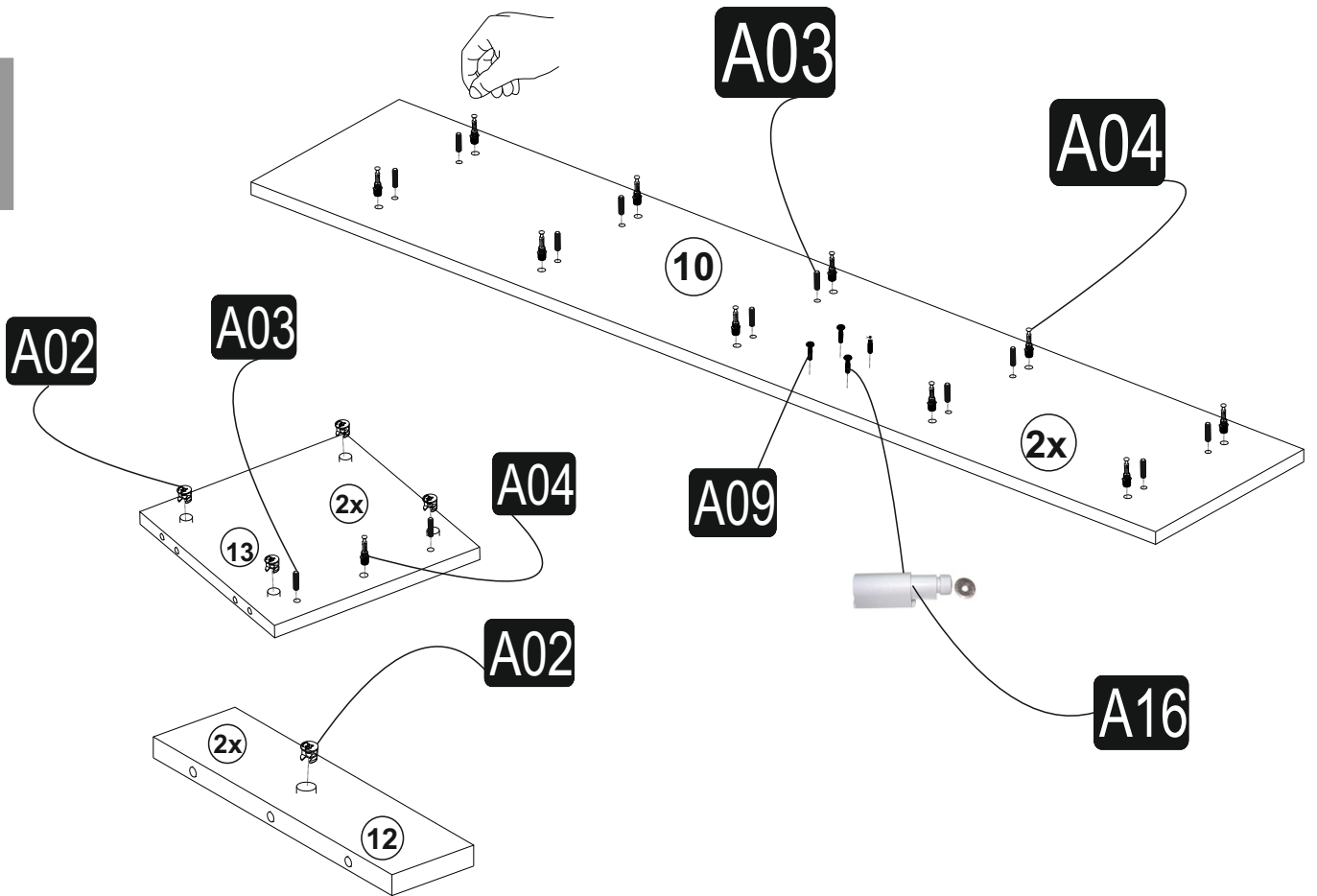
AKSESUAR LİSTESİ / ACCESSORY LIST

A02 Minifix k18  42x	A03 Minifix M10  42x	A04 Ø8  44x	A09 3,5x16  24x	A06 18 mm  c 1 42x
C02 Sdb1  4x	C04  4x	A17 çivi  30x	A16 Basbas Çıtıt  2x	

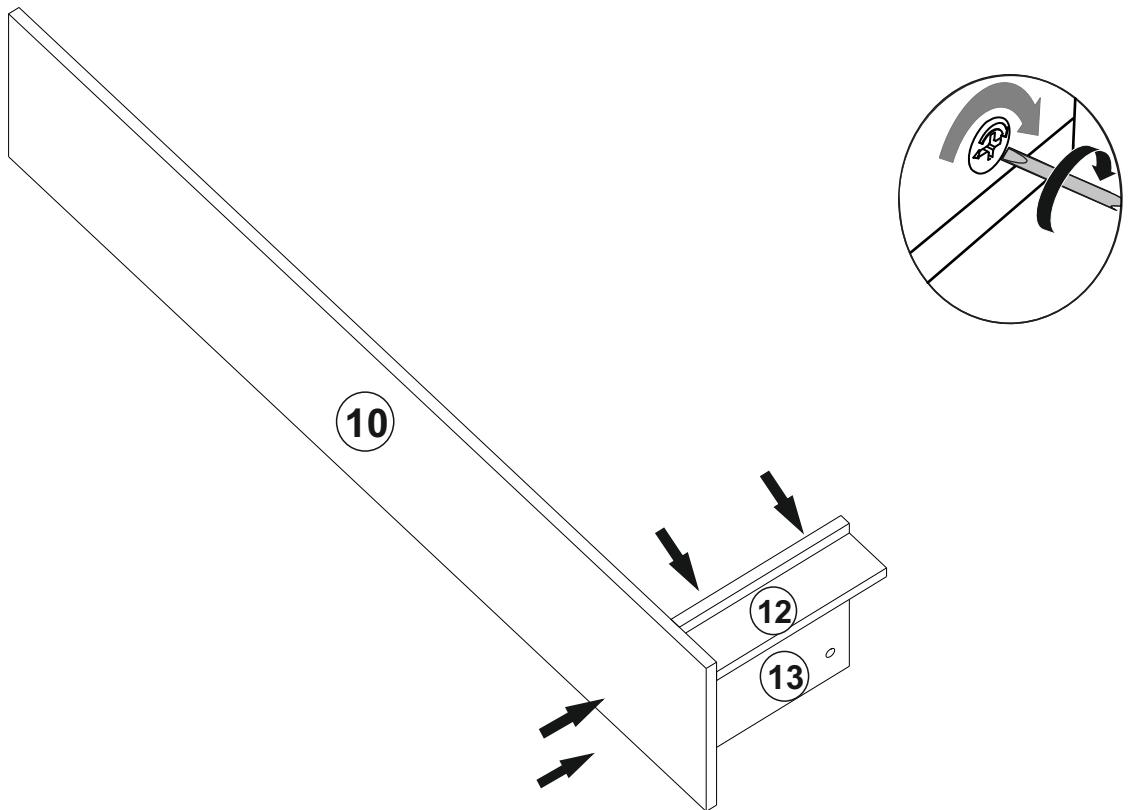
PARÇA TANILAMA / GENERAL VIEW



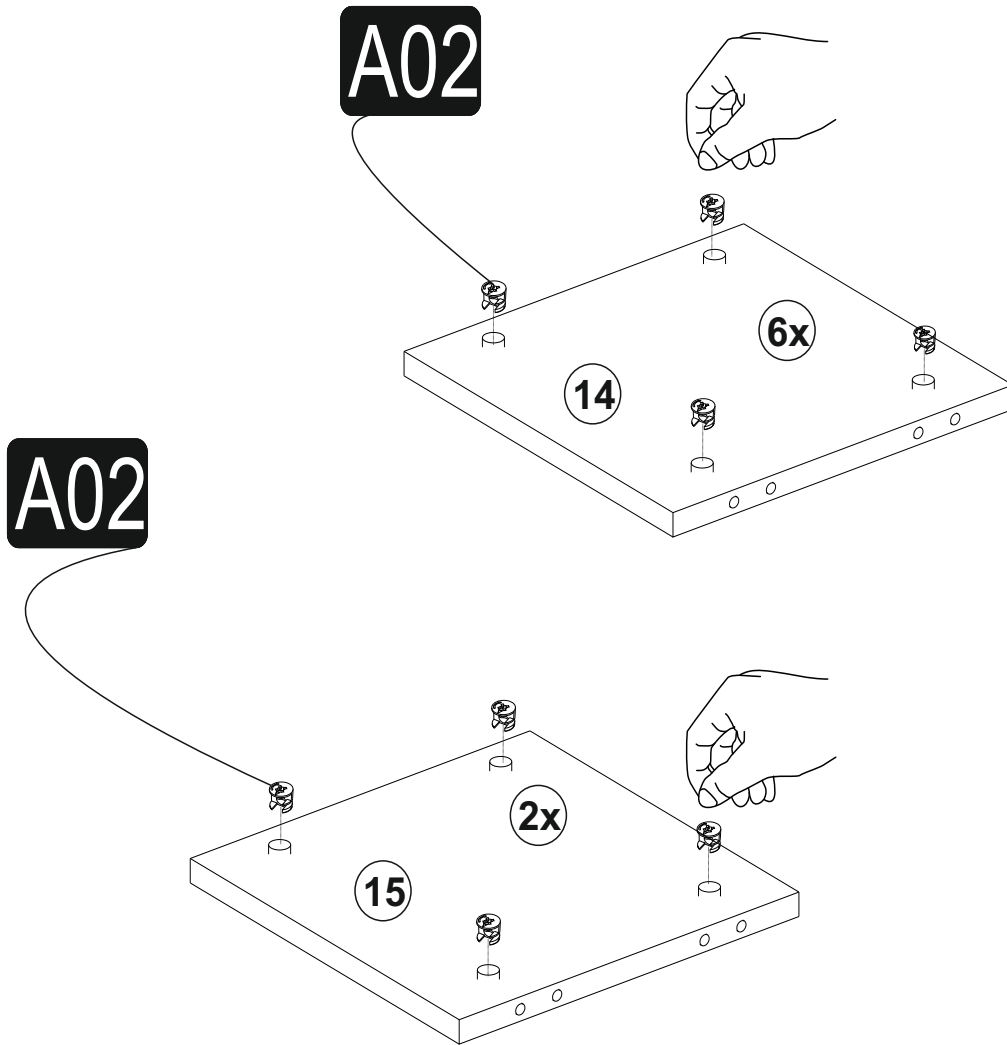
1



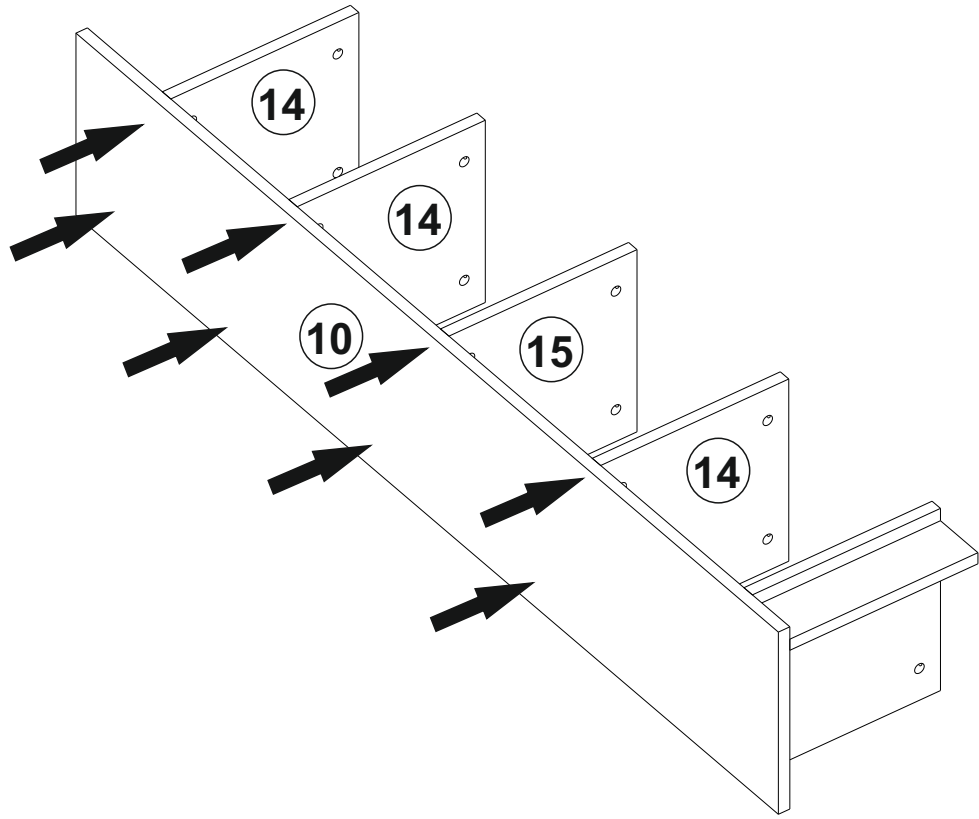
2



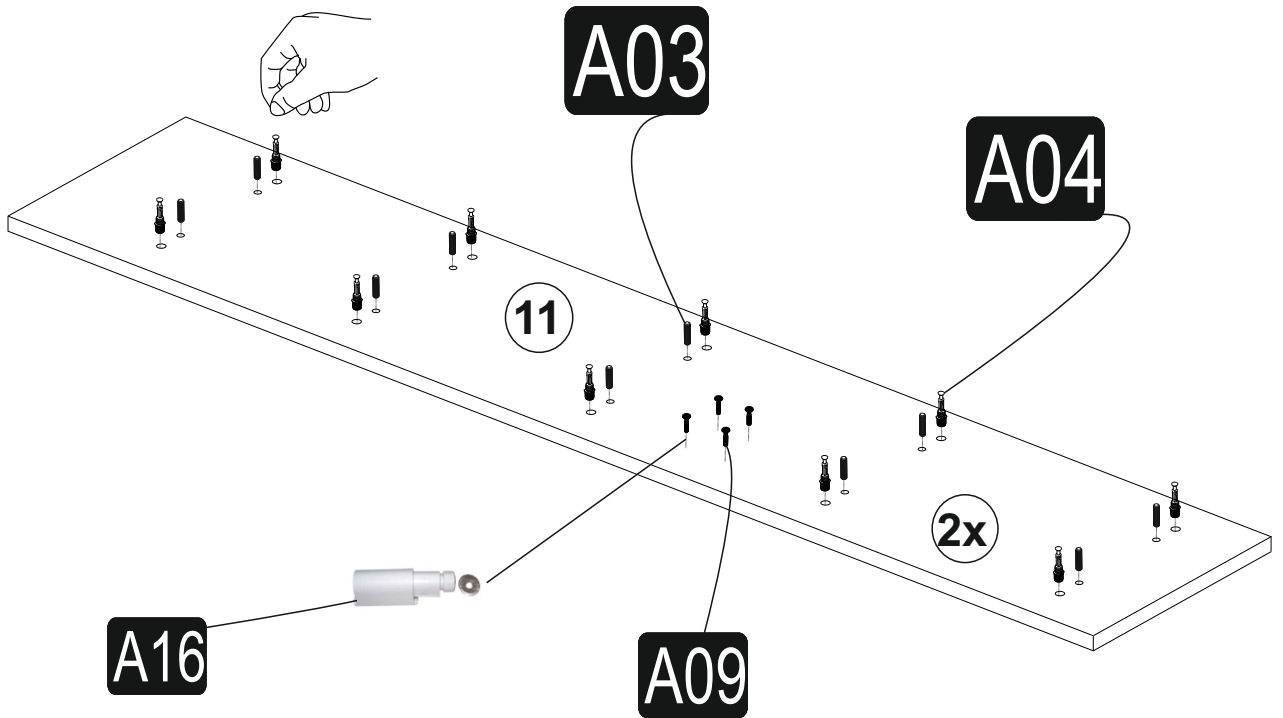
3



4

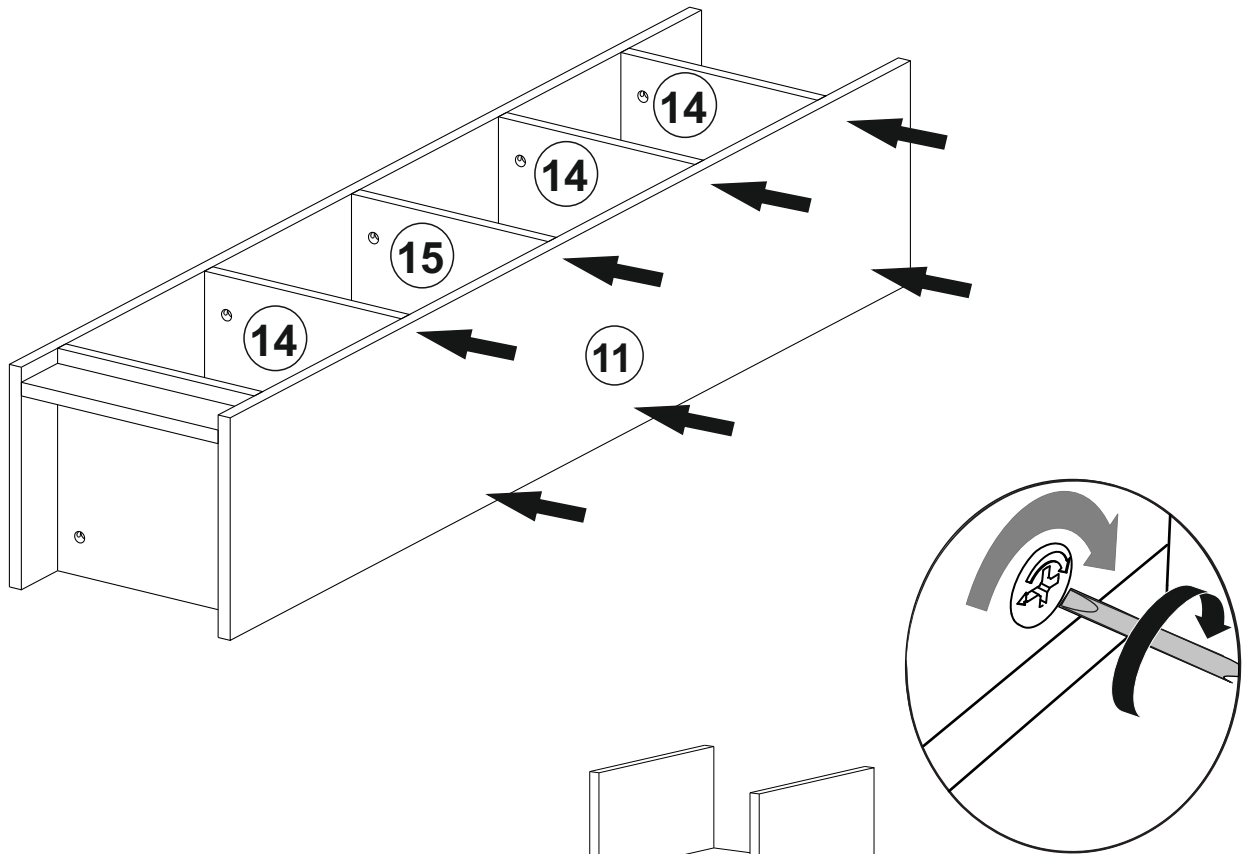


5

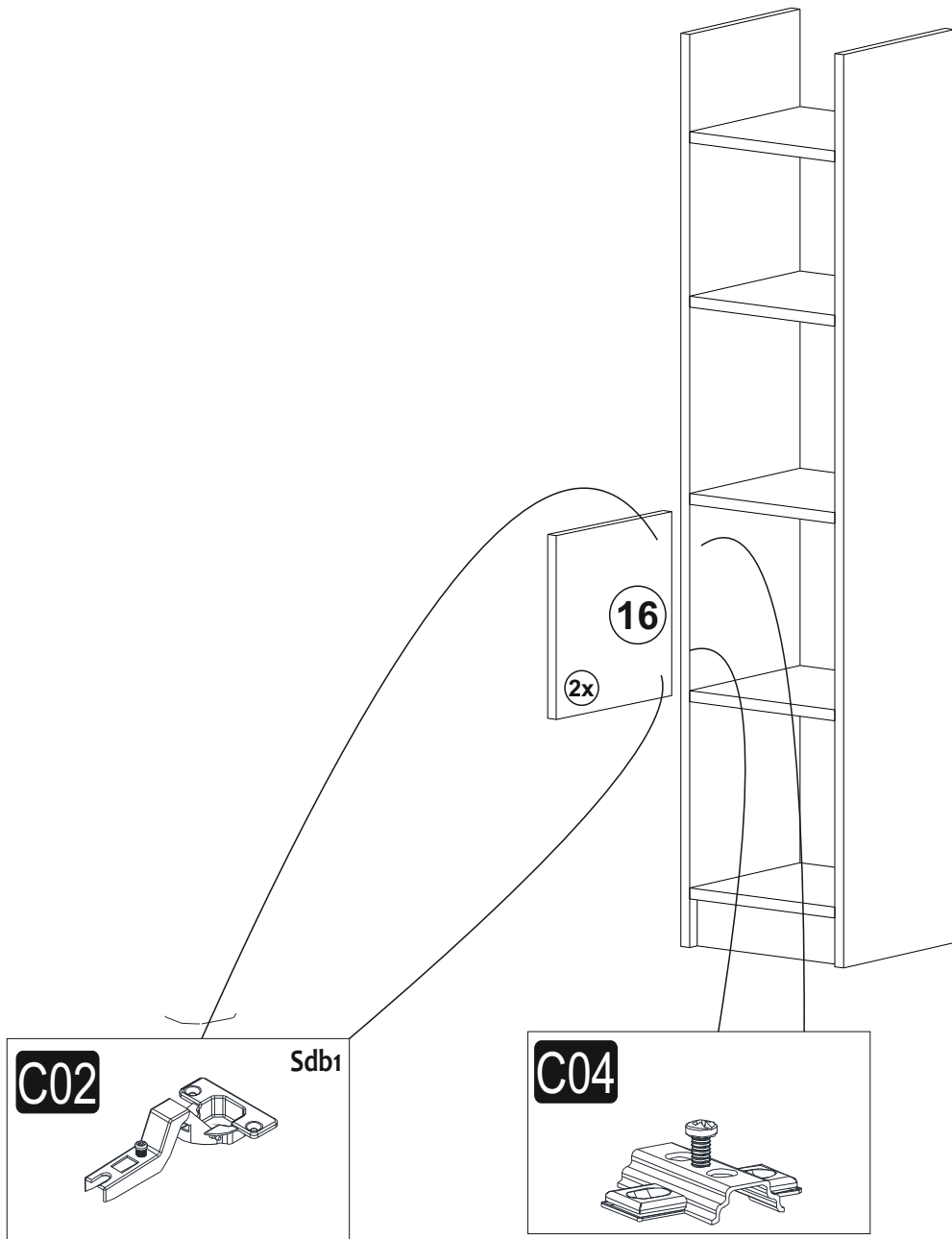


7

6

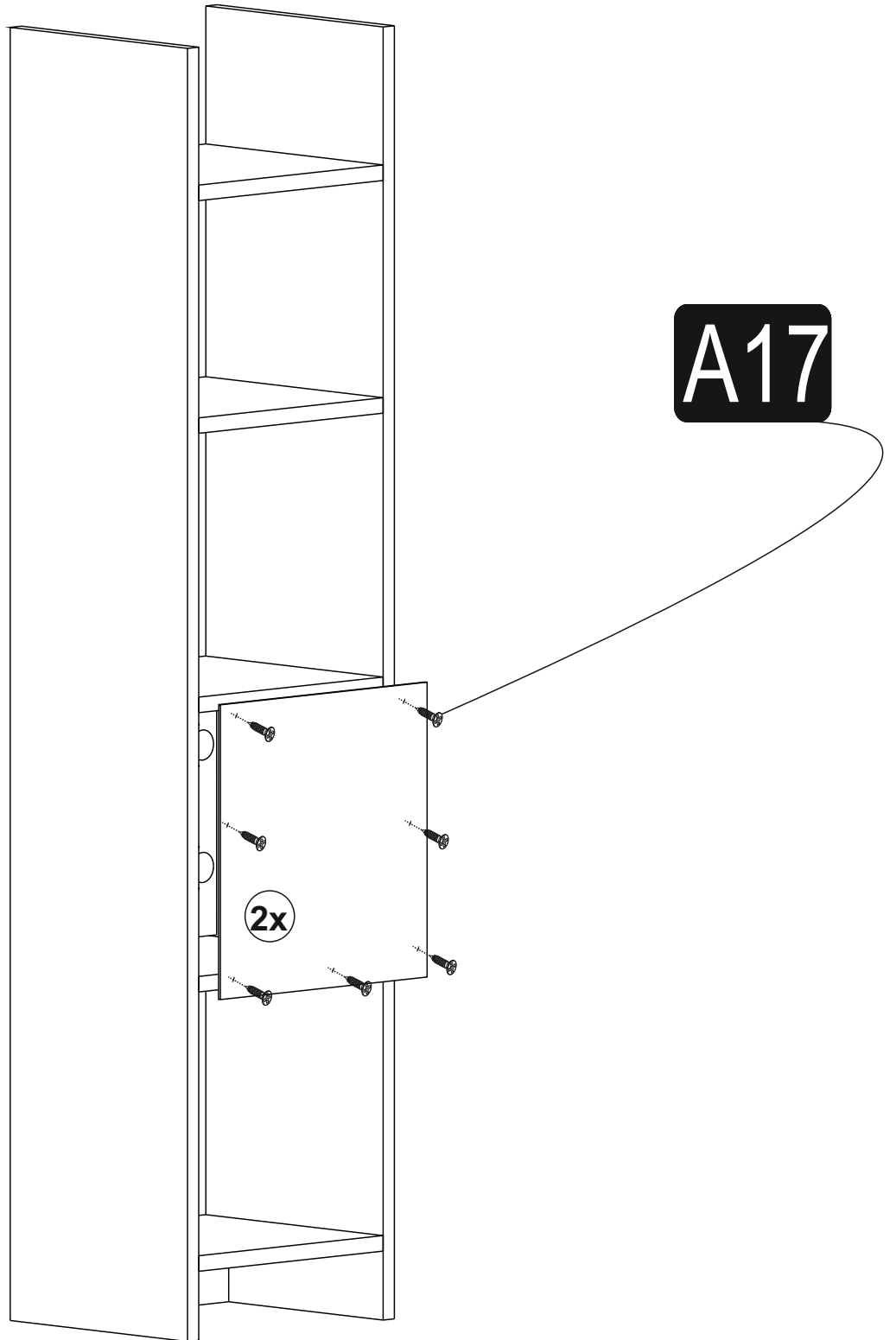


7

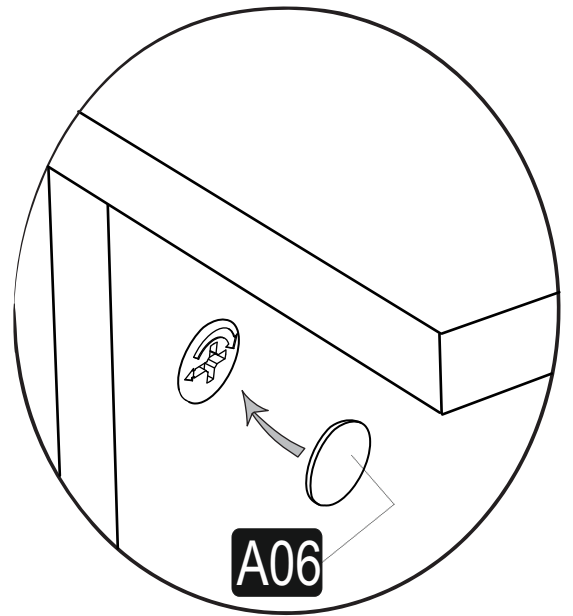
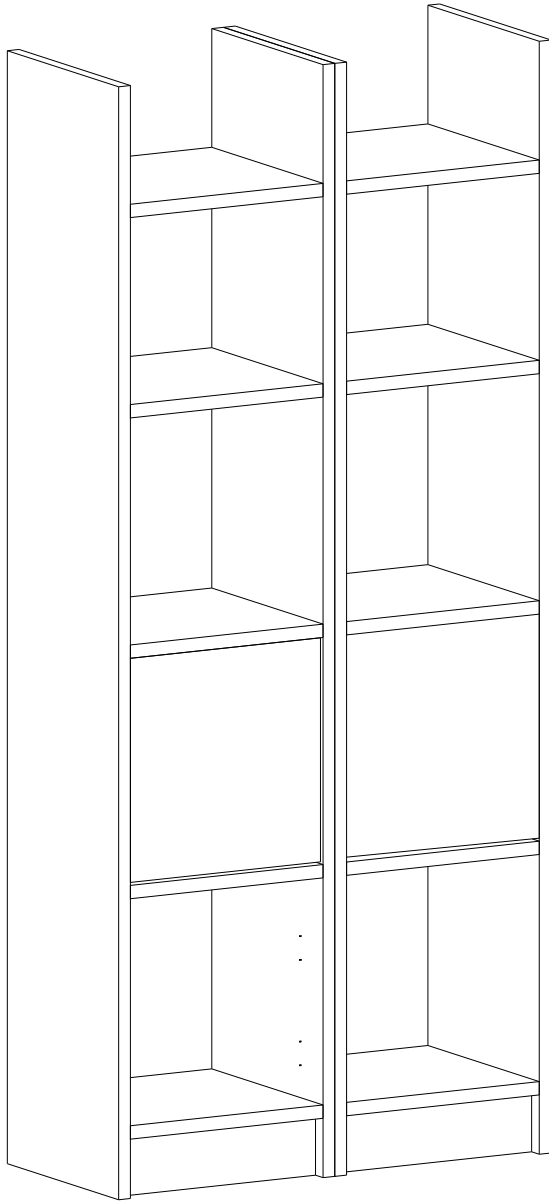


8

8



9



Have you seen our other products?

Sales@decorotika.com

1702-01077102