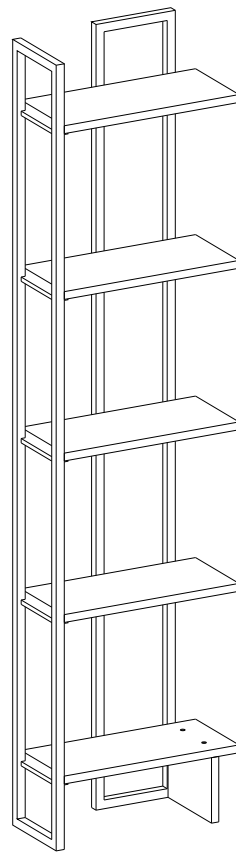


# DECOROTIKA



## Alice Bookshelf

assembly guide

please scan the QR code  
for installation video



Valued Customer,

We design and carefully manufacture our products for our customers, We wish that our customers to have fun while they are doing their new furniture

The product you just purchased was subjected to all sorts of tests and controls before sending out to you.

Hope you enjoy your new furniture!!!



Before starting, please check all components and accessories according to the provided list. If you purchased more than one product, to prevent confusion, be sure that you completed the first product, then start the next one. Please make sure that you select correct numbered part and use specific connector to assemble. We do not recommend any modification or rotation in assembly. Please follow the manual carefully.



Furniture parts are going to several manufacturing procedures. During this process, parts can have little dust or marks. Please clean the parts with dump cloth before assembly to get the best result. Usual cleaning would be suffice.



Although all products are carefully manufactured and packed, sometimes we experience damage during transportation. In such cases, please check the damaged part, note the part number written on the part and do not hesitate to contact us



Do not use your furniture for out of purposes. If you would like to use it out of purpose or would like to do some modification or rotation, please contact us for more details.

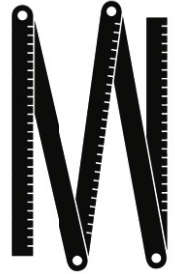
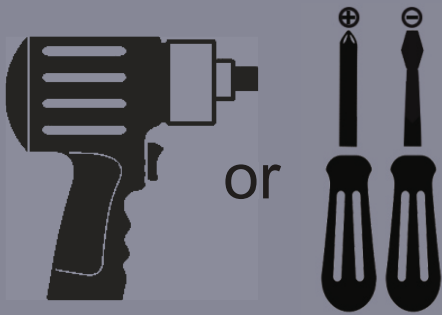
Please do not expose your furniture with excessive heat, cold and humidity because product can be affected negatively.

You may reach us with below contact information for assembly questions. For all other inquiries please contact directly with marketplaces which you have placed your order. Thanks for choosing our products

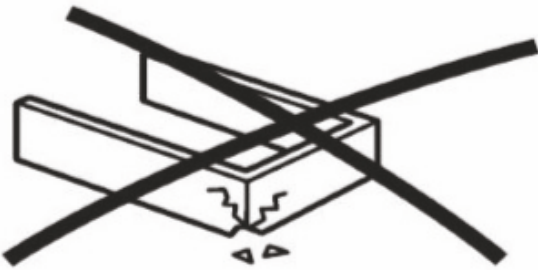
[e-mail : assembly@decorotika.com](mailto:assembly@decorotika.com)

[EUROPE Phone : +90 553 966 7517](tel:+905539667517) Working Hours: Mon- Fri (07 am - 05 pm)

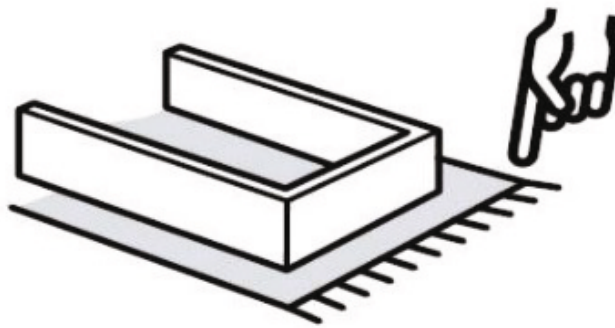
# before you start



Get required installation tools prepared.



Do not install the product on rough surfaces.

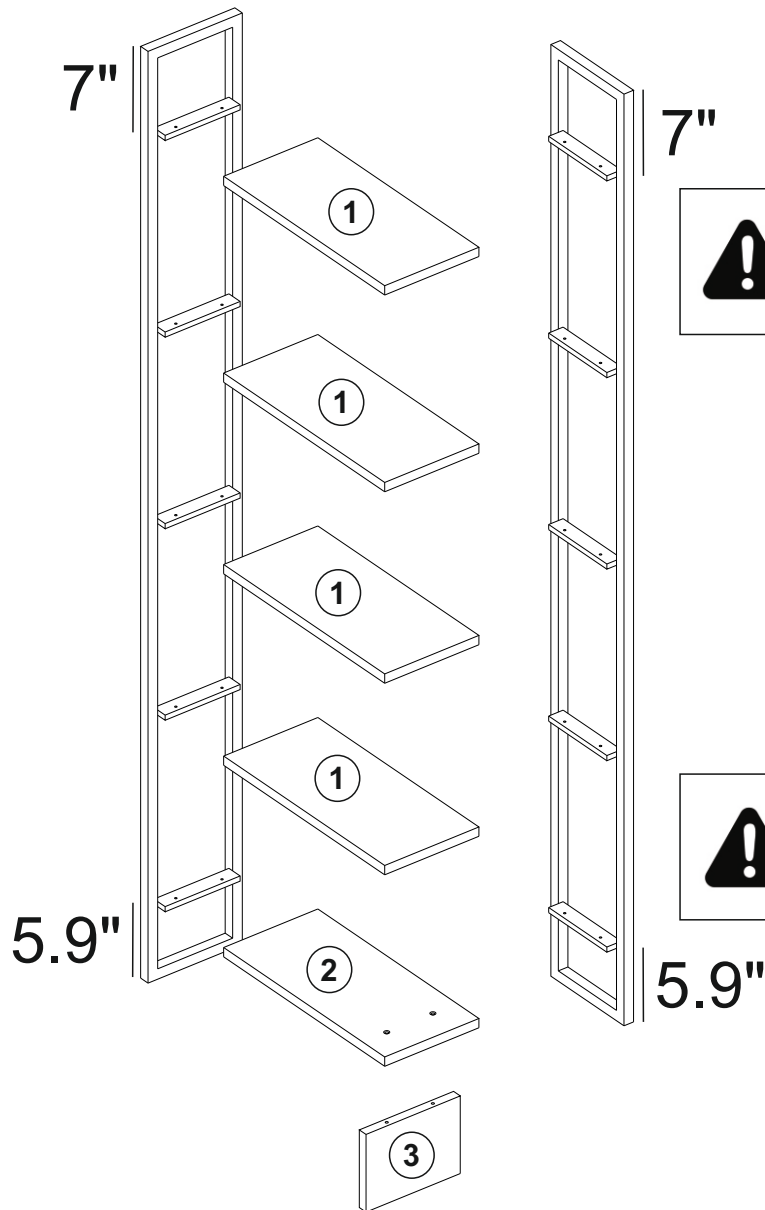



Get help from someone else!







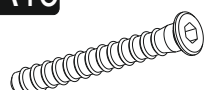

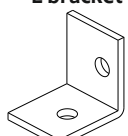
Part 1	4x
Part 2	1x
Part 3	1x

6x

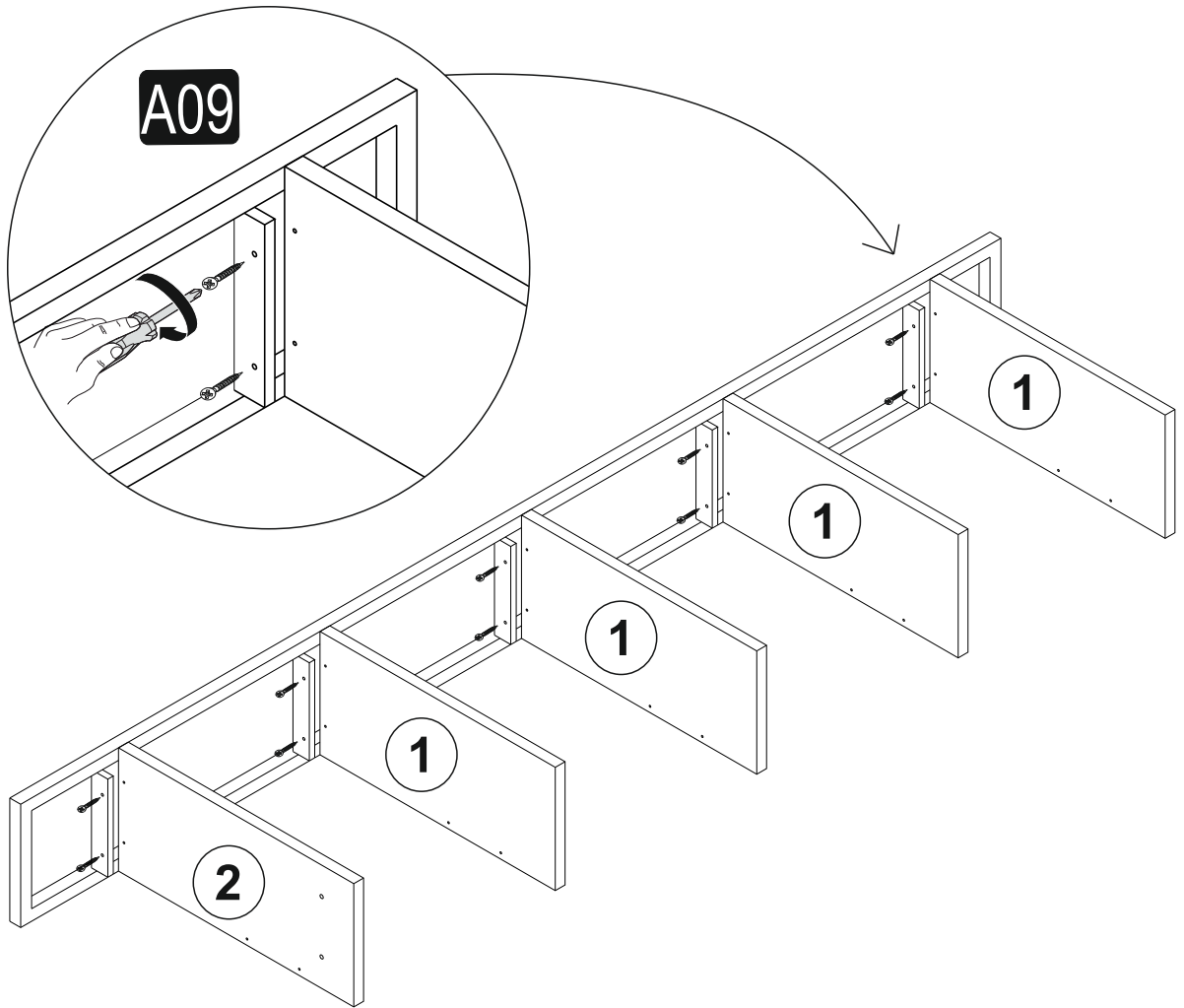


 7" sides of metal panel should be the top part and attached to the piece #1

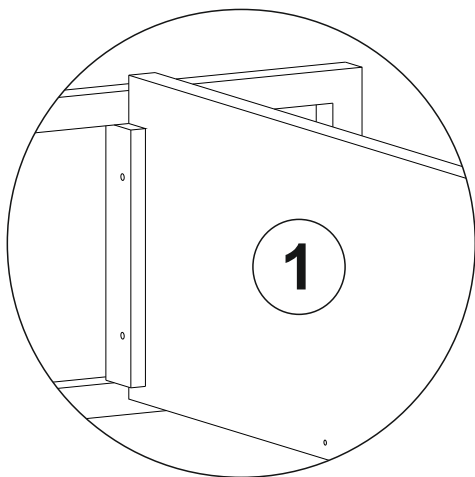
 5.9" sides of metal panel should be the bottom part and attached to the piece #2

<b>A13</b> 5x70 screw  <b>1x</b>	<b>A16</b> rawlplug Ø8  <b>1x</b>	<b>A09</b> 3.5x25 screw  <b>20x</b>	<b>A13</b> 50 mm screw  <b>2x</b>	<b>A06</b> 12 mm sticker  <b>2x</b>	<b>L01</b> L bracket  <b>1x</b>
--	--	--	--	--	--

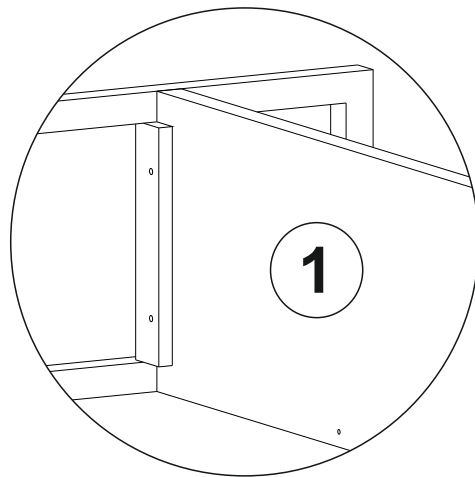
# 1



If the pre-drilled holes dont allign with the holes on the metal ,please dont worry , install the item as in the below figures

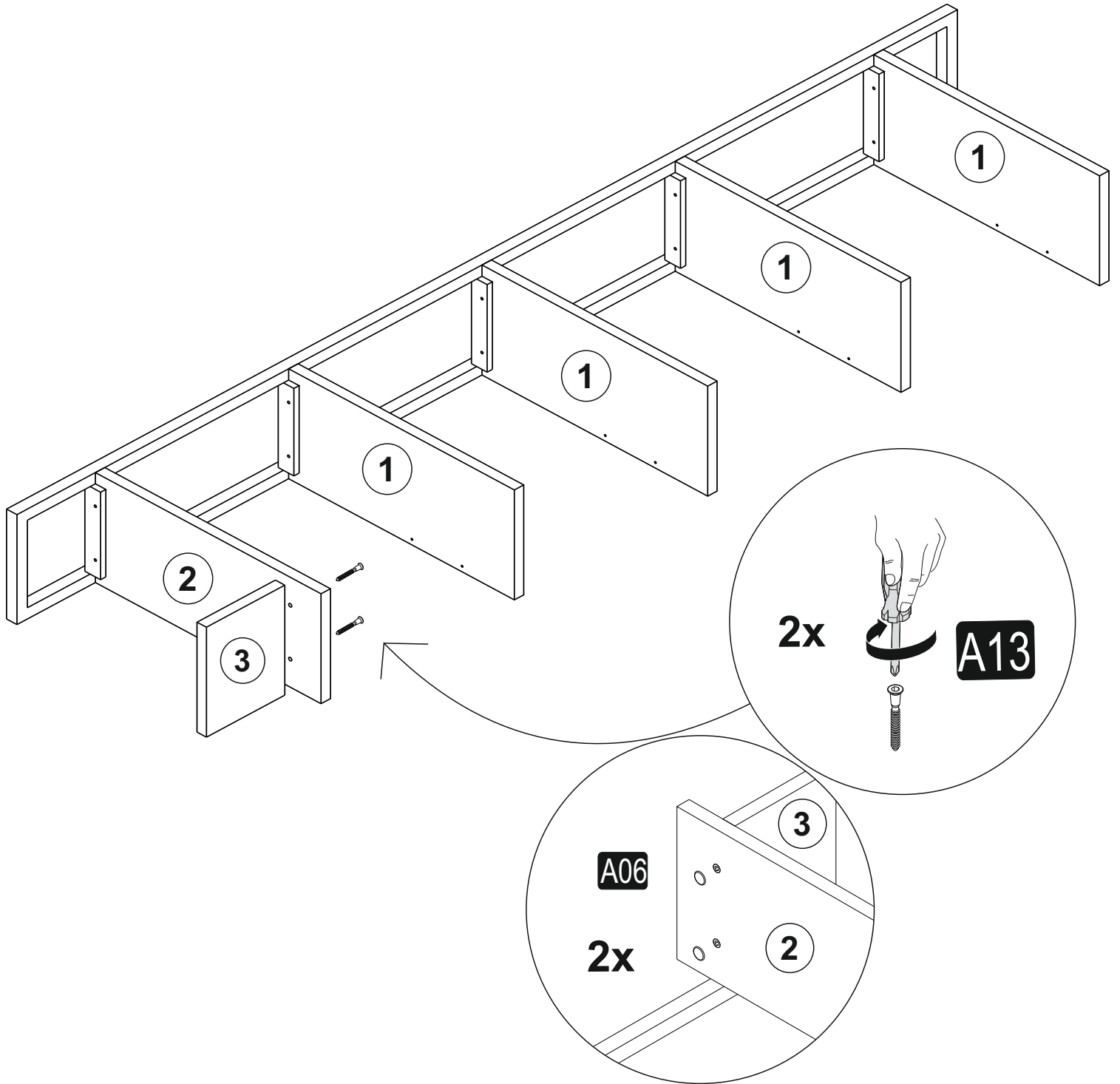


incorrect

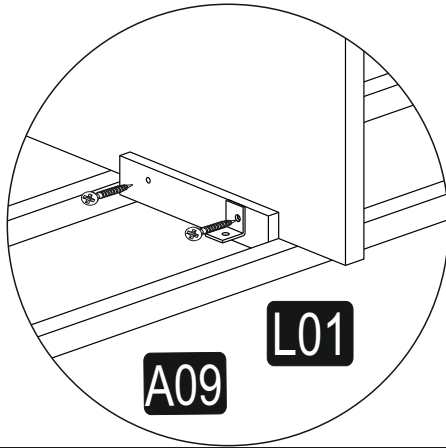


correct

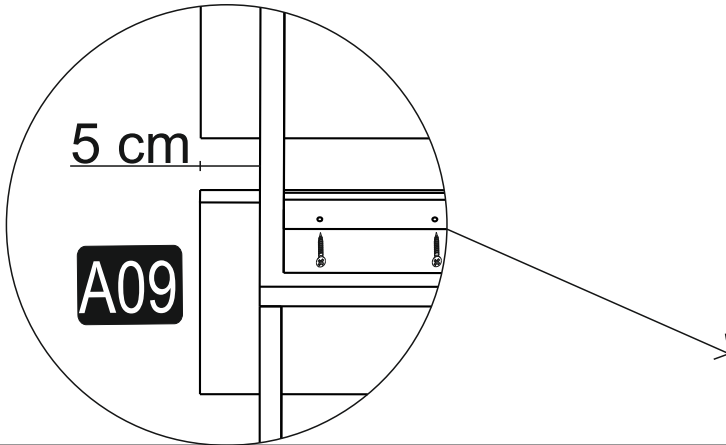
# 2



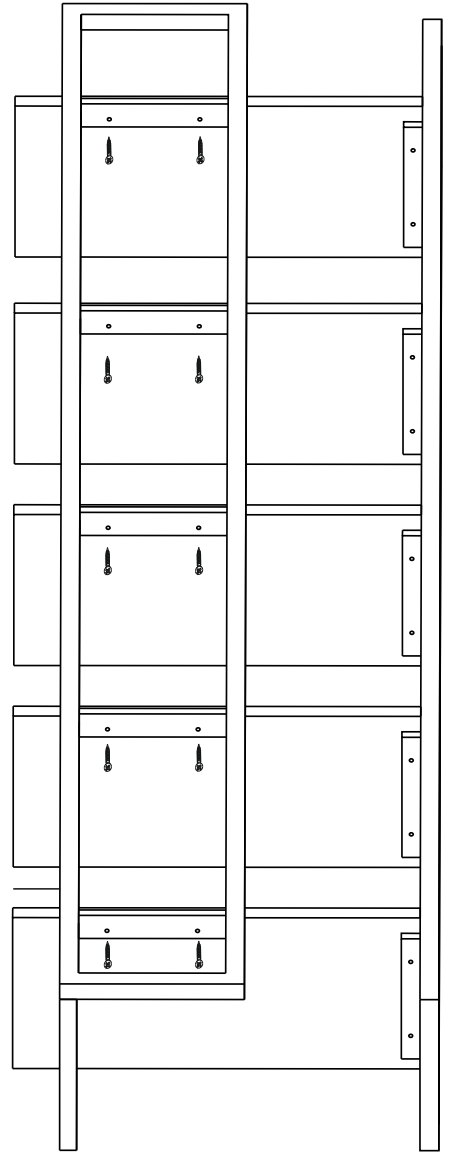
# 3



If you want to fix the item to the wall please attach the L-bracket as shown in the figure



If the pre-drilled holes dont align with the metal , dont worry please install the metal part as shown in the figure



# 4

